



US00D610447S

(12) **United States Design Patent**  
**Seum et al.**

(10) **Patent No.:** **US D610,447 S**

(45) **Date of Patent:** **\*\* \*Feb. 23, 2010**

(54) **CARTON FOR STORING SUBSTRATES**

D386,079 S \* 11/1997 Harper ..... D9/418  
D406,754 S \* 3/1999 Tanabe ..... D9/415

(75) Inventors: **Susie Marie Seum**, Cincinnati, OH (US); **Marilyn Gale Perkins-Stanford**, Goshen, OH (US); **Tom Patrick Collins**, Mason, OH (US); **Ida Abdalkhani**, Cincinnati, OH (US)

(Continued)

*Primary Examiner*—Philip S Hyder  
*Assistant Examiner*—Susan E Krakower  
(74) *Attorney, Agent, or Firm*—Ronald T. Sia; Gary J. Foose

(73) Assignee: **The Procter & Gamble Co.**, Cincinnati, OH (US)

(57) **CLAIM**

(\*\*) Term: **14 Years**

The ornamental design for a carton for storing substrates, as shown and described.

(21) Appl. No.: **29/307,844**

(22) Filed: **May 15, 2008**

**DESCRIPTION**

**Related U.S. Application Data**

(62) Division of application No. 29/293,335, filed on Nov. 16, 2007.

FIG. 1. is a perspective view of a carton for storing substrates in accordance with the present invention.

(51) **LOC (9) Cl.** ..... **09-03**

(52) **U.S. Cl.** ..... **D9/418**

(58) **Field of Classification Search** ..... D9/414-418, D9/420-426, 430-433, 761, 737, 757; D7/357, D7/629, 602, 553.1-553.8, 538, 591, 615; 206/315.9, 485, 521.1, 539, 564, 541, 546, 206/588, 766, 779, 822; 220/23.8, 23.83, 220/315, 324, 326, 367, 556, 4.21, 4.23, 220/835, 839; 229/406, 902-904, 906, 407, 229/110, 115; D6/470, 397, 441  
See application file for complete search history.

FIG. 2 is a top planar view of the carton for storing substrates of FIG. 1;

FIG. 3 is a bottom planar view of the carton for storing substrates of FIG. 1;

FIG. 4 is a frontal view of the carton for storing substrates of FIG. 1;

FIG. 5 is a rear view of the carton for storing substrates of FIG. 1;

FIG. 6 is a side view of the carton for storing substrates of FIG. 1;

FIG. 7 is a side view of the carton for storing substrates of FIG. 1, opposite the side view shown in FIG. 6;

FIG. 8 is an enlarged cross sectional side view of the carton for storing substrates of FIG. 1, taken along line 8-8 of FIG. 2, illustrating a circular shaped element on a substrate; and,

FIG. 9 is another cross sectional planar view of the carton for storing substrates of FIG. 1, taken along line 9-9 of FIG. 4.

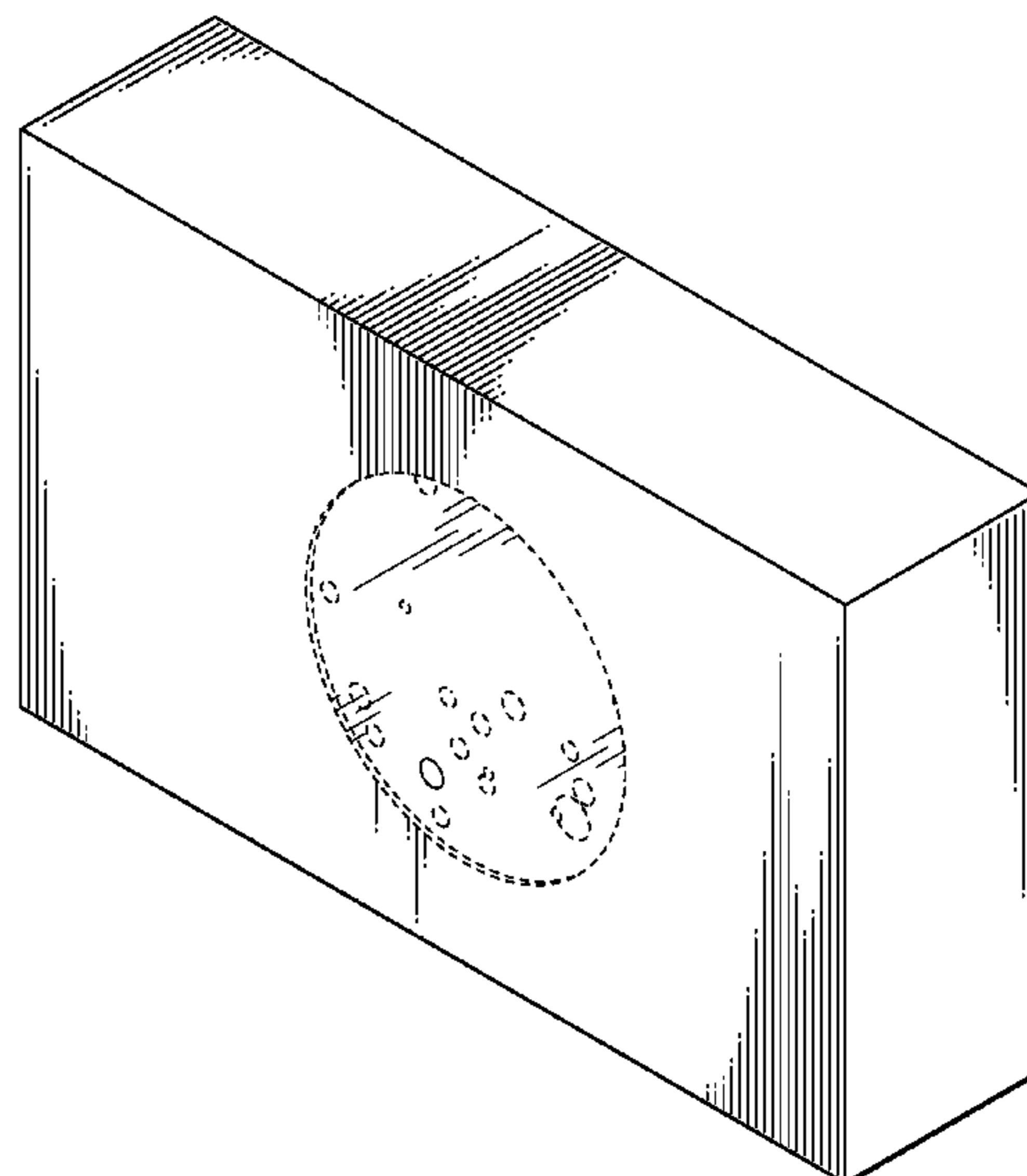
The broken lines shown in the drawings represent environmental subject matter and form on part of the claimed design.

(56) **References Cited**

**U.S. PATENT DOCUMENTS**

D297,415 S \* 8/1988 Gavin et al. .... D9/416  
D319,185 S \* 8/1991 Ferrero ..... D9/415  
D369,546 S \* 5/1996 Chapman et al. .... D9/415  
D371,068 S \* 6/1996 Chapman et al. .... D9/721  
D380,964 S \* 7/1997 Miller et al. .... D9/415

**1 Claim, 4 Drawing Sheets**



# US D610,447 S

Page 2

---

## U.S. PATENT DOCUMENTS

D446,113 S *	8/2001	Steinfels .....	D9/418	D534,419 S *	1/2007	Hermkens et al. ....	D9/418
D462,264 S *	9/2002	Barr et al. ....	D9/416	D536,960 S *	2/2007	Harper et al. ....	D9/418
6,460,703 B1 *	10/2002	Thompson et al. ....	206/779	D543,450 S *	5/2007	Watzig et al. ....	D9/418
D469,349 S *	1/2003	Meeker et al. ....	D9/418	D547,644 S *	7/2007	Harper et al. ....	D9/418
D494,060 S *	8/2004	Izen et al. ....	D9/418	D554,501 S *	11/2007	Bone et al. ....	D9/432
D502,392 S *	3/2005	Maher et al. ....	D9/418	D558,044 S *	12/2007	Olson .....	D9/418
D528,906 S *	9/2006	Harper et al. ....	D9/418	D559,099 S *	1/2008	Sheppard et al. ....	D9/418

\* cited by examiner

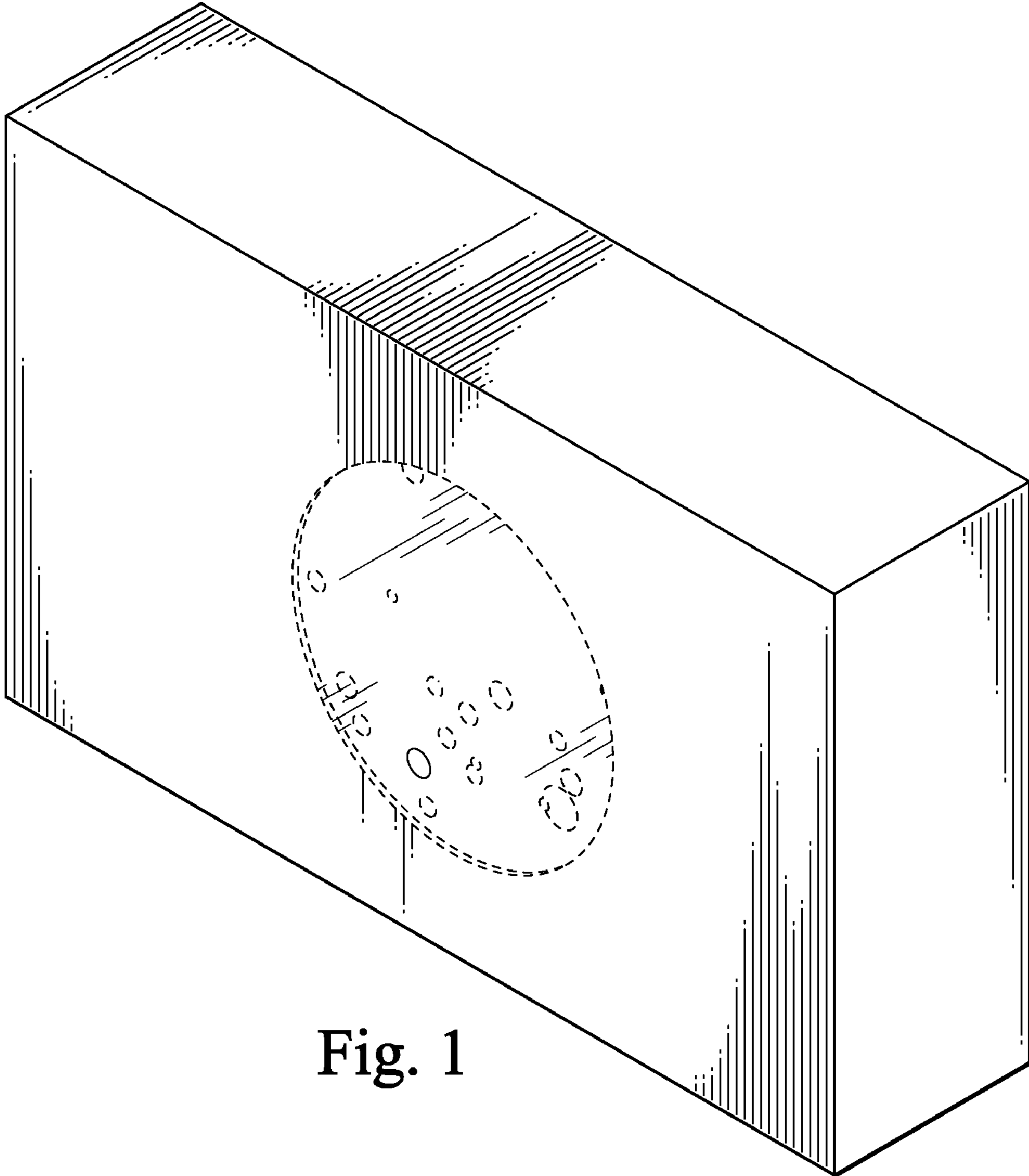
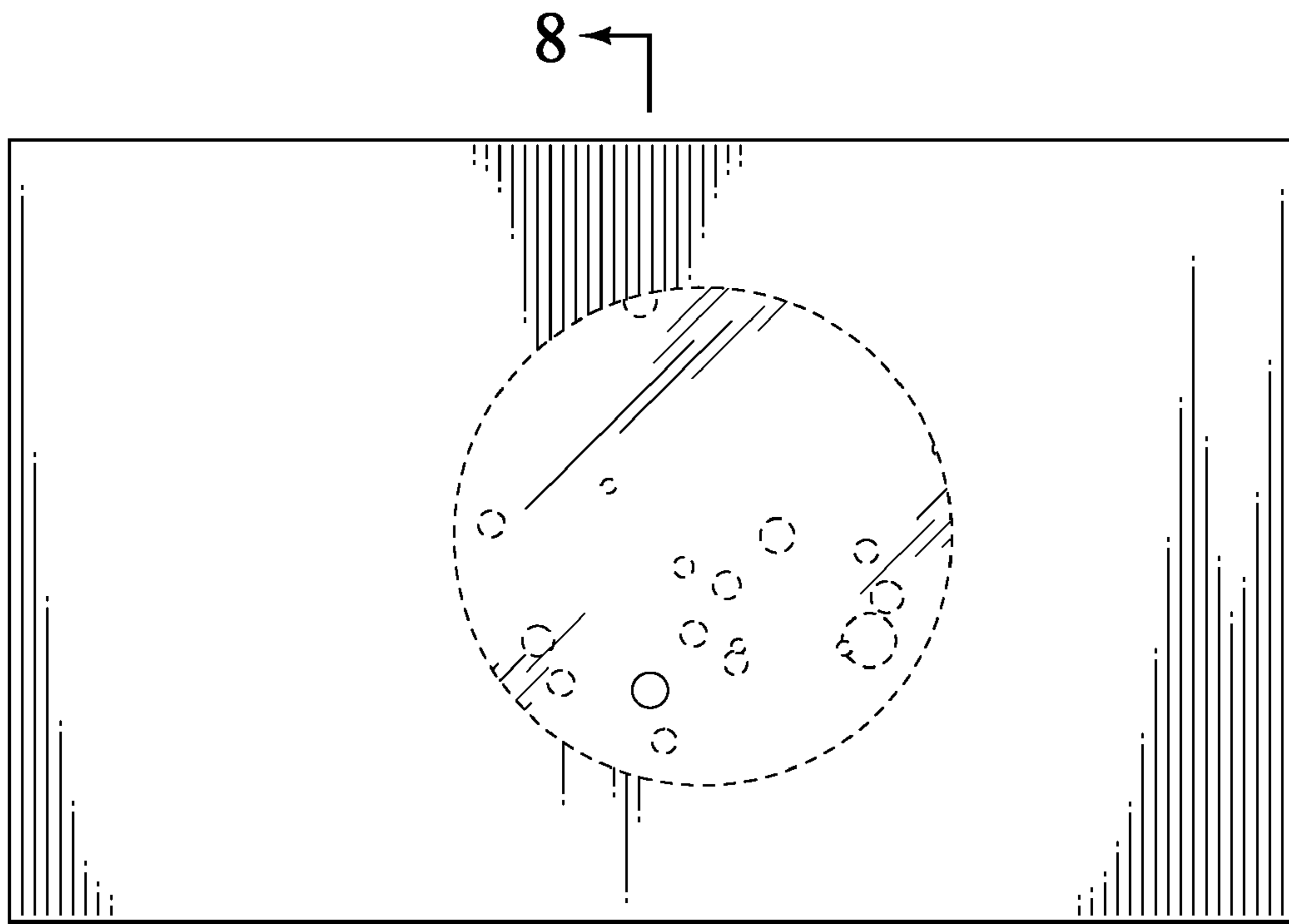


Fig. 1



8 ←

Fig. 2

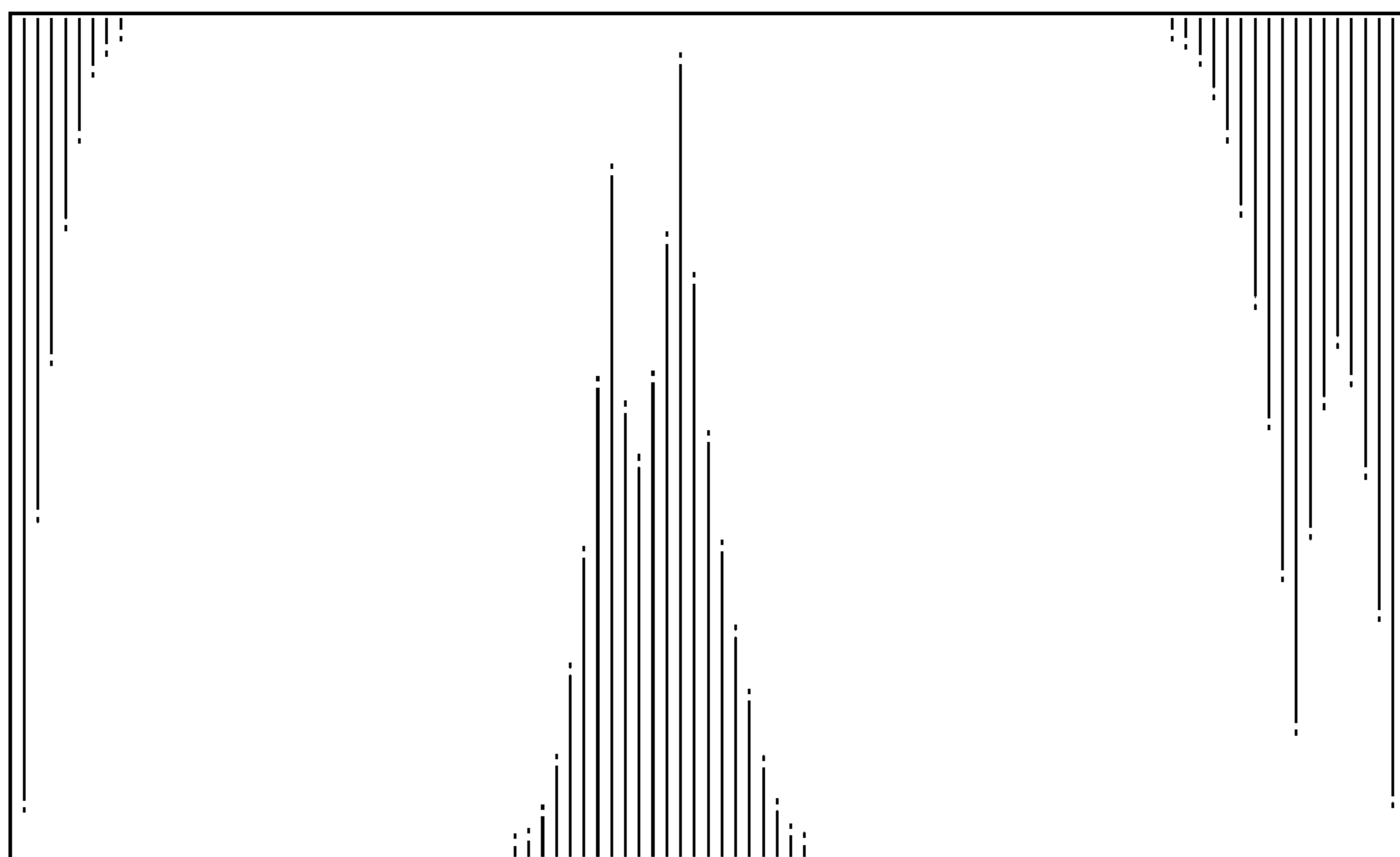


Fig. 3

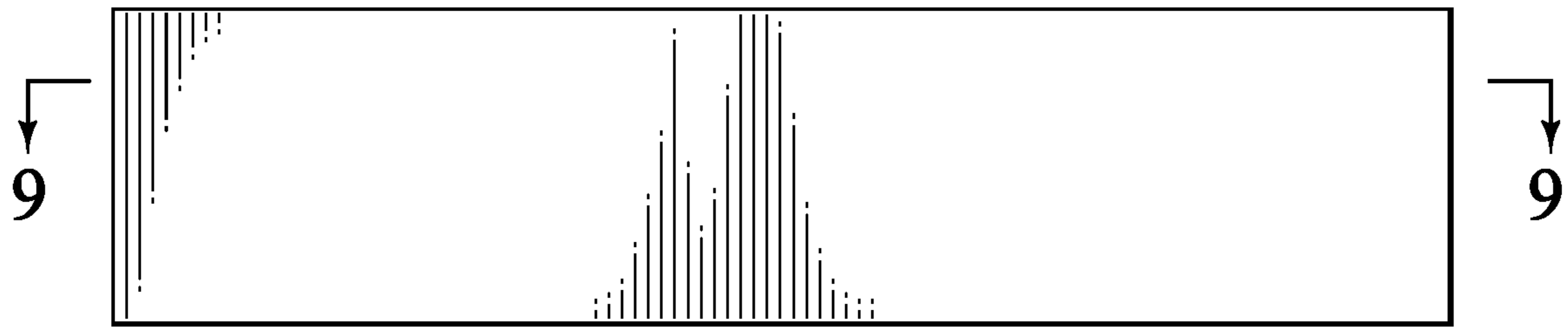


Fig. 4

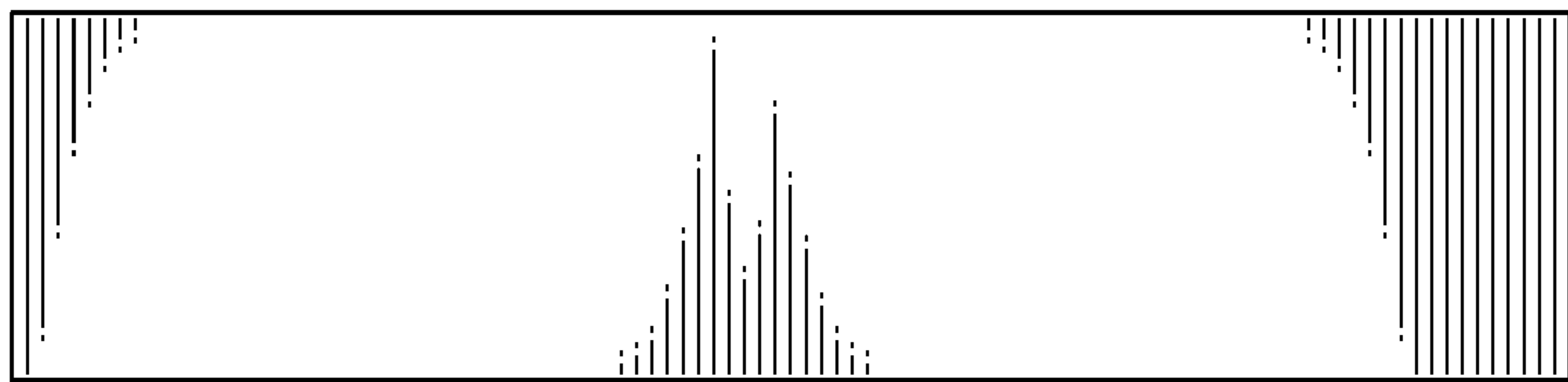


Fig. 5

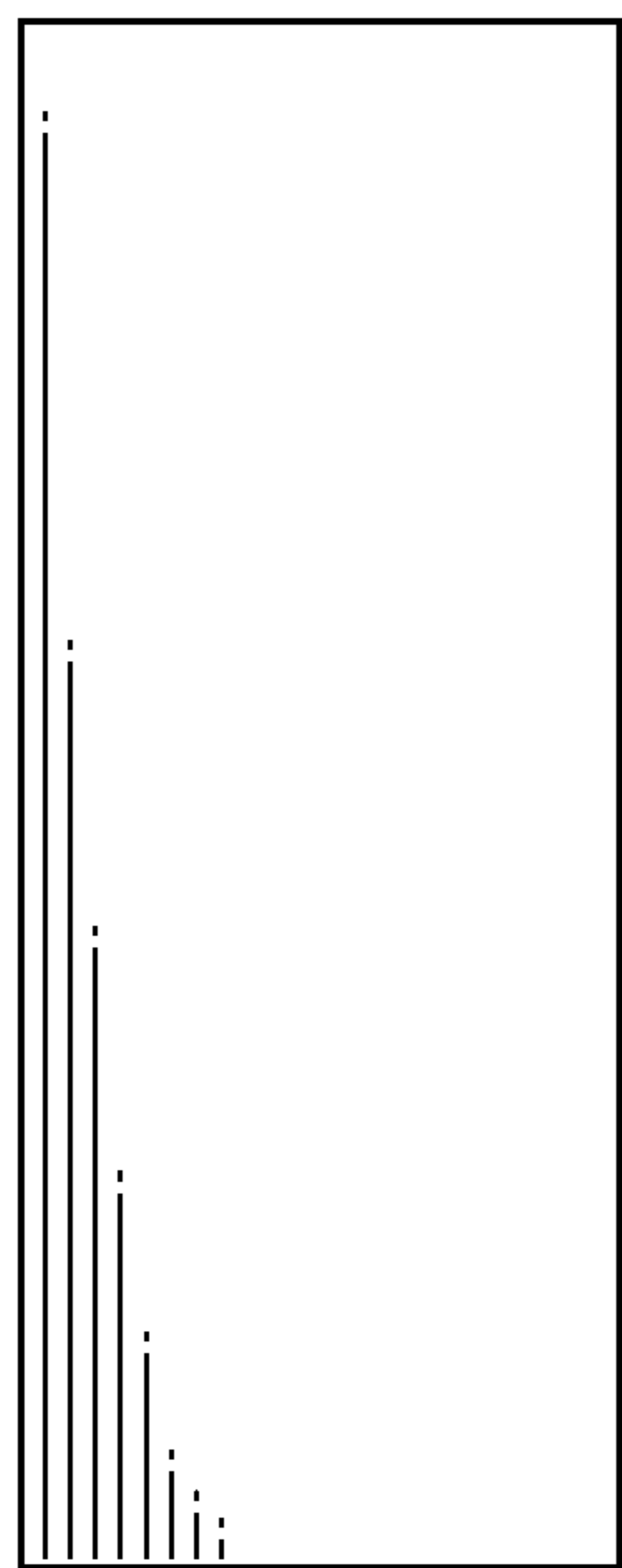


Fig. 6

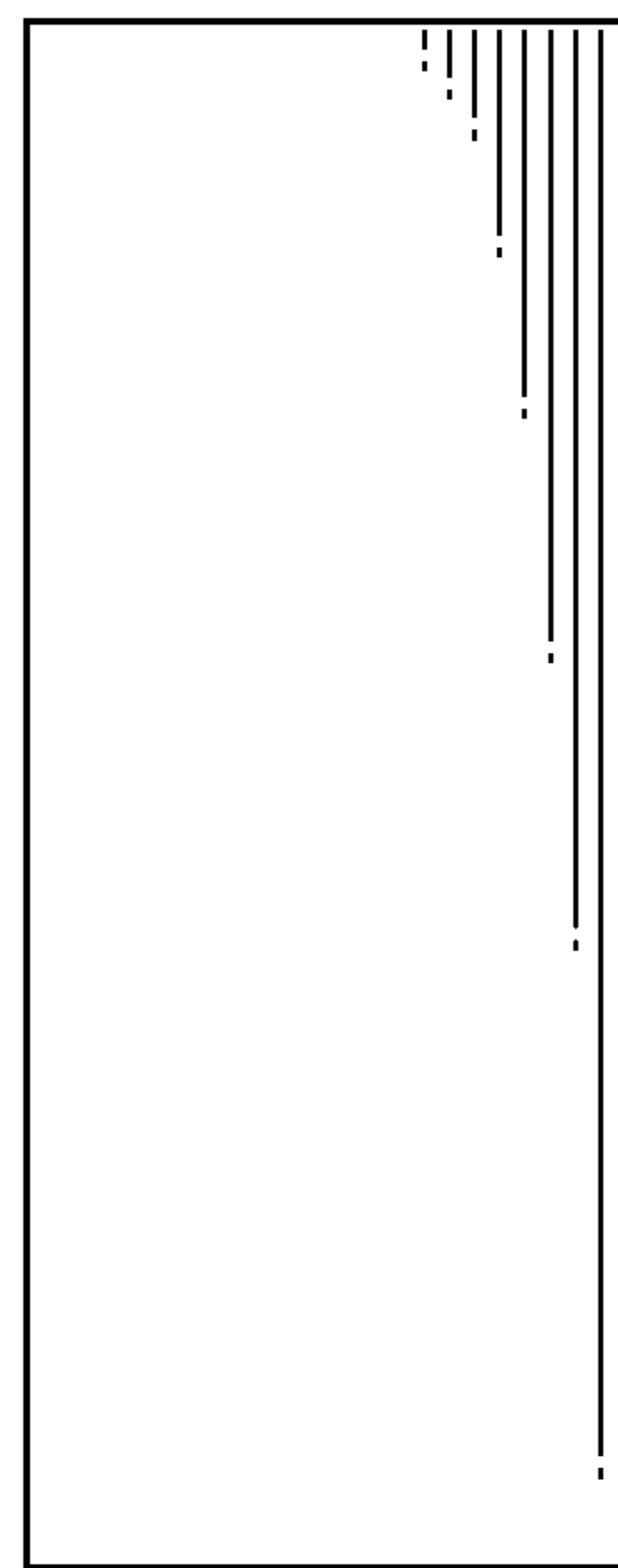


Fig. 7

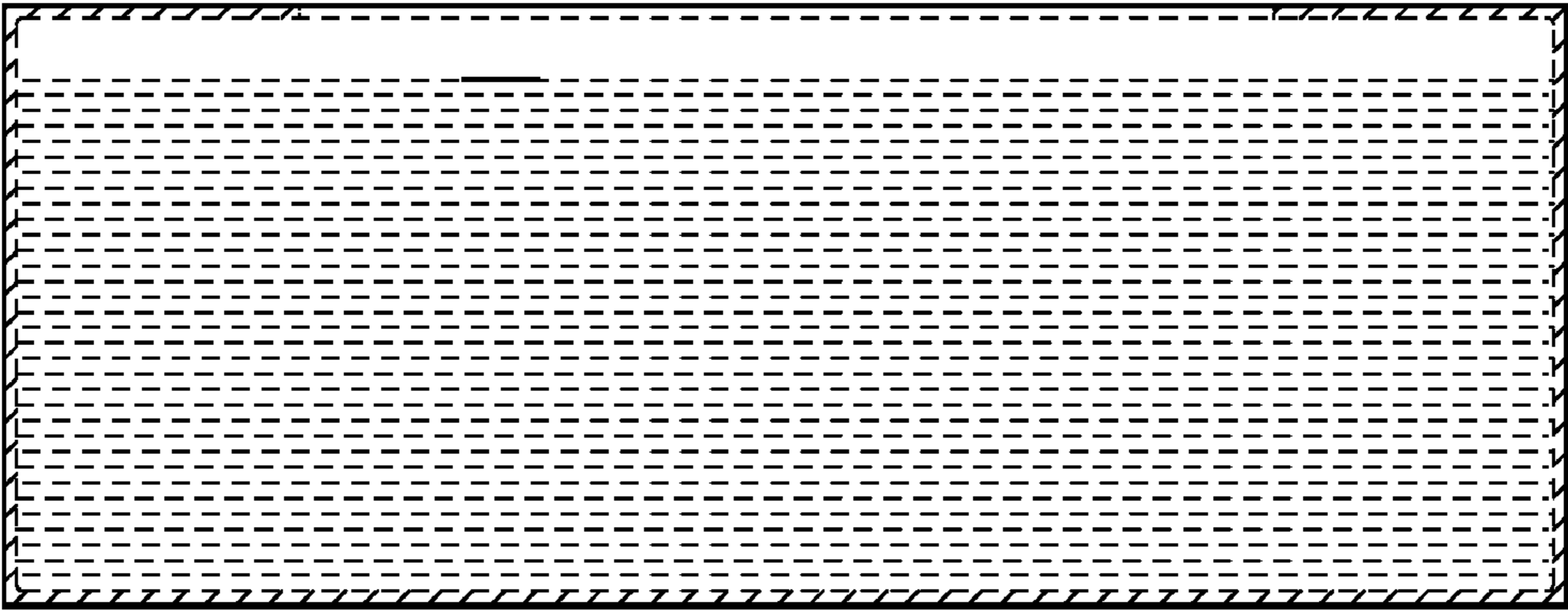


Fig. 8

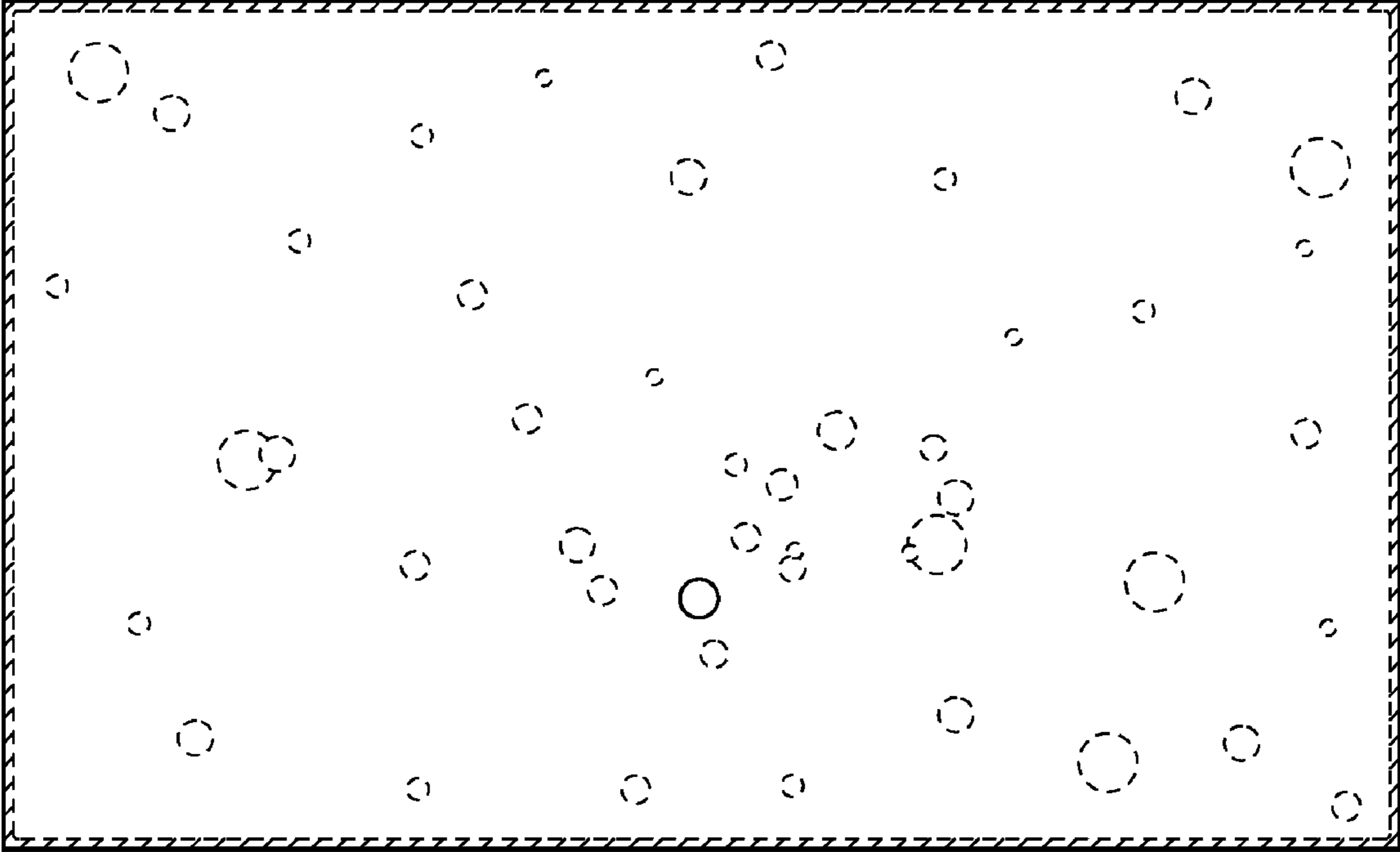


Fig. 9