



US00D610446S

(12) **United States Design Patent**
Feldman

(10) **Patent No.:** **US D610,446 S**

(45) **Date of Patent:** **** *Feb. 23, 2010**

(54) **PACKAGE WITH ANATOMICALLY CORRECT PRODUCT PLACEMENT WINDOW**

| | | | |
|--------------|---------|----------------------|--------|
| D271,943 S * | 12/1983 | Beise et al. | D9/415 |
| D380,675 S * | 7/1997 | Daniel | D9/432 |
| D402,544 S * | 12/1998 | Jones | D9/705 |
| D424,931 S * | 5/2000 | Teasdale et al. | D9/418 |
| D425,788 S * | 5/2000 | Teasdale et al. | D9/418 |

(76) Inventor: **Daniel D. Feldman**, 74-20th St.,
Brooklyn, NY (US) 11232

(*) Notice: This patent is subject to a terminal disclaimer.

* cited by examiner

(**) Term: **14 Years**

Primary Examiner—Joel Sincavage

Assistant Examiner—Susan E Krakower

(21) Appl. No.: **29/282,756**

(74) *Attorney, Agent, or Firm*—Dickinson Wright, PLLC;
John M. Naber

(22) Filed: **Jul. 27, 2007**

(57) **CLAIM**

(51) **LOC (9) Cl.** **09-03**

The ornamental design for a package with anatomically correct product placement window, as shown and described.

(52) **U.S. Cl.** **D9/418**

(58) **Field of Classification Search** D9/414-418,
D9/420-426, 430-432, 761, 737, 757; D7/357,
D7/629, 602, 553.1-553.8, 538, 591, 615;
206/315.9, 485, 521.1, 539, 564, 541, 546,
206/588, 766, 779; 220/23.8, 23.83, 315,
220/324, 326, 367, 556, 4.21, 4.23, 835,
220/839; 229/406, 902-904, 906, 407, 110;
D6/470, 397, 441

See application file for complete search history.

DESCRIPTION

FIG. 1 is a front view of a package with anatomically correct product placement window showing my new design, the opposite rear view being unornamented; and,

FIG. 2 is an enlarged sectional view thereof, taken along line 2-2 of FIG. 1.

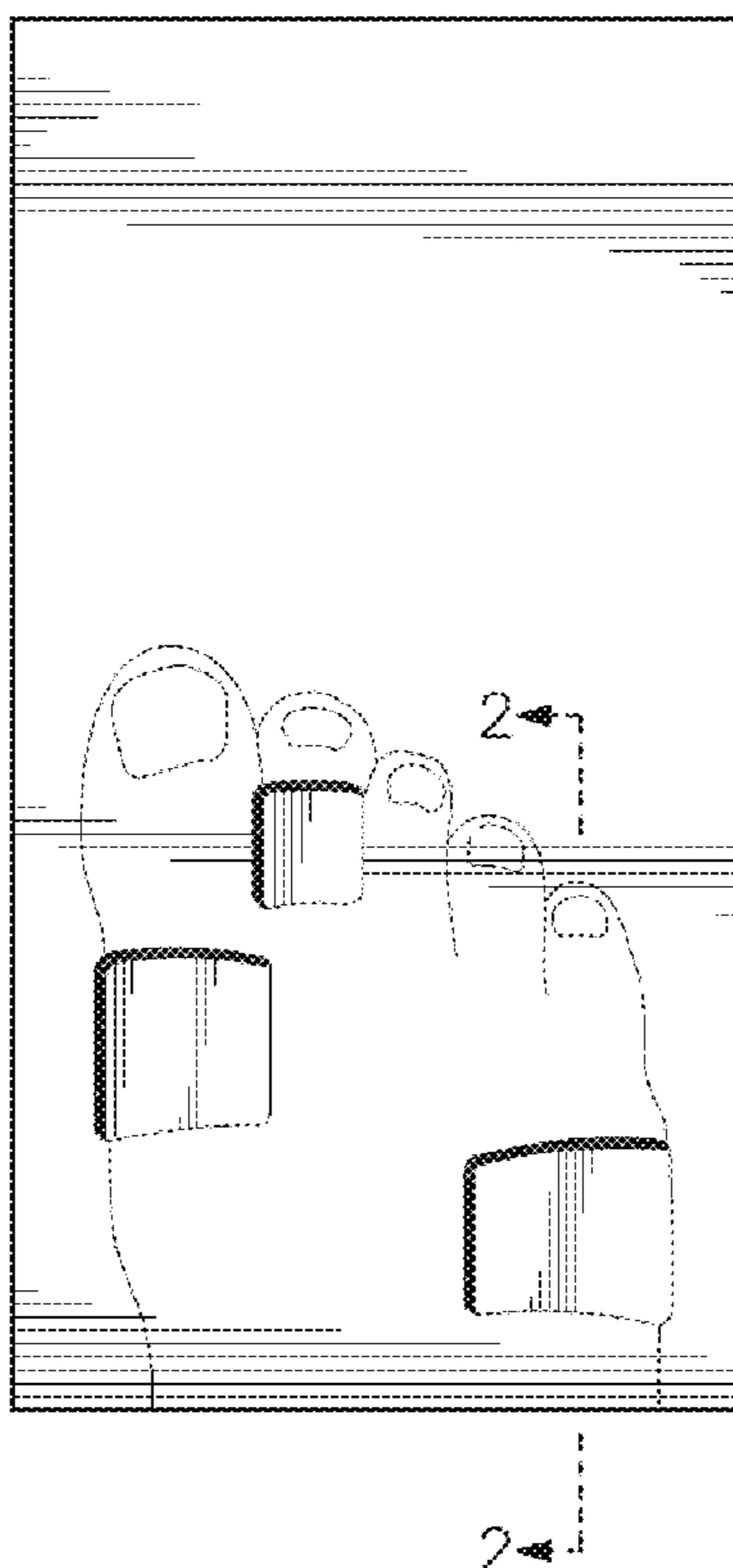
The broken lines shown in the drawing illustrate portions of the package with anatomically correct product placement window and form no part of the claimed design.

(56) **References Cited**

U.S. PATENT DOCUMENTS

| | | | |
|---------------|---------|---------------|---------|
| 2,833,399 A * | 5/1958 | Hartman | 206/295 |
| D197,147 S * | 12/1963 | Shapiro | D9/418 |

1 Claim, 2 Drawing Sheets



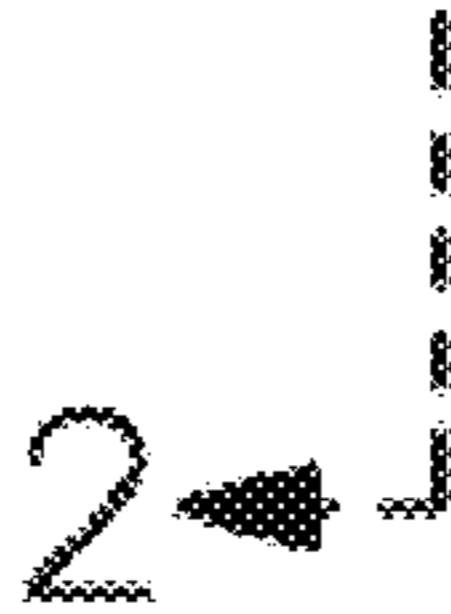
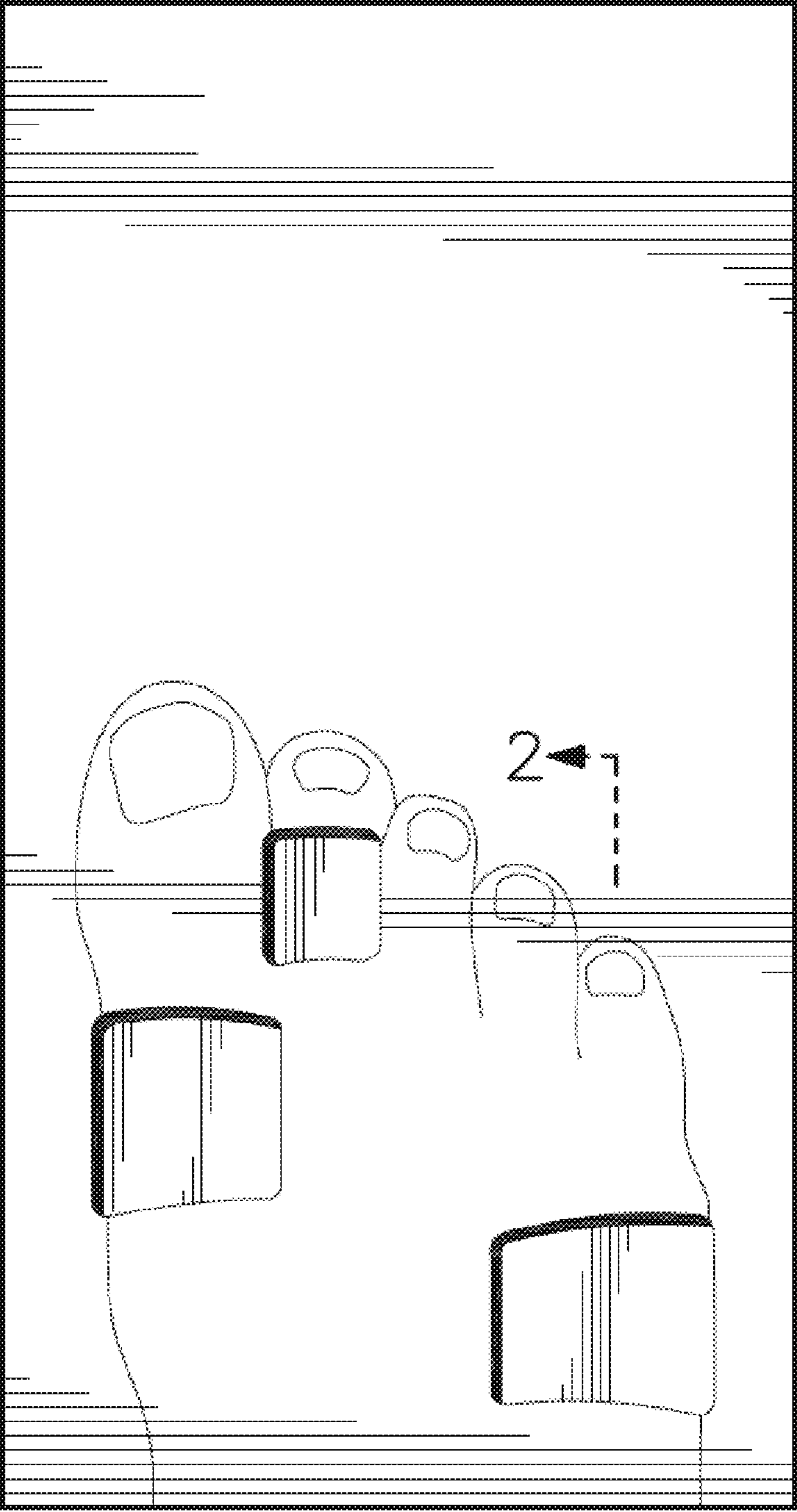


FIG. 1

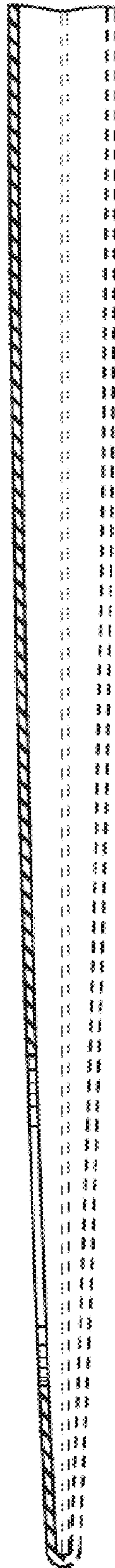


FIG. 2