



US00D610441S

(12) **United States Design Patent**
Jones

(10) **Patent No.:** **US D610,441 S**

(45) **Date of Patent:** **** Feb. 23, 2010**

(54) **SAFETY LATCH**

(75) Inventor: **Terrance L. Jones**, Muncie, IN (US)

(73) Assignee: **Mid-West Metal Products, Co. Inc.**,
Muncie, IN (US)

(**) Term: **14 Years**

(21) Appl. No.: **29/334,194**

(22) Filed: **Mar. 23, 2009**

(51) **LOC (9) Cl.** **08-08**

(52) **U.S. Cl.** **D8/394**

(58) **Field of Classification Search** D8/356,
D8/371, 394-396; 24/570, DIG. 9; 248/74.2,
248/215, 227.1, 49, 300, 301, 316.7, 51,
248/489; D19/65, 56; D25/119

See application file for complete search history.

(56) **References Cited**

U.S. PATENT DOCUMENTS

448,822	A *	3/1891	McGirr	269/154
D29,062	S *	7/1898	Lauber	D8/395
D45,862	S *	6/1914	Dunham	D11/210
2,060,739	A *	11/1936	Maddus	52/548
2,089,333	A *	8/1937	Bourdon	40/360
4,563,796	A *	1/1986	Kettlestring	24/563
D298,216	S *	10/1988	Eisenberg	D8/395
D313,744	S *	1/1991	Knight	D8/395
D328,187	S *	7/1992	Saurette	D9/434
5,794,895	A *	8/1998	Besserer et al.	248/73

D428,330	S *	7/2000	Johnston et al.	D8/395
6,494,411	B1 *	12/2002	Bjorklund	248/49
7,093,394	B1 *	8/2006	McNamara et al.	52/35
D532,291	S *	11/2006	Geers	D8/394
D545,183	S *	6/2007	French et al.	D8/394
D572,580	S *	7/2008	Machida	D8/397
D576,029	S *	9/2008	Kato et al.	D8/397
D600,544	S *	9/2009	Klaus et al.	D8/395

* cited by examiner

Primary Examiner—T. Chase Nelson

Assistant Examiner—John Windmuller

(74) *Attorney, Agent, or Firm*—Bose McKinney & Evans
LLP; Stephen Rost

(57) **CLAIM**

The ornamental design for a safety latch, as shown and described.

DESCRIPTION

FIG. 1 is a perspective view of a safety latch that illustrates the novel design;

FIG. 2 is a front view of the safety latch of FIG. 1;

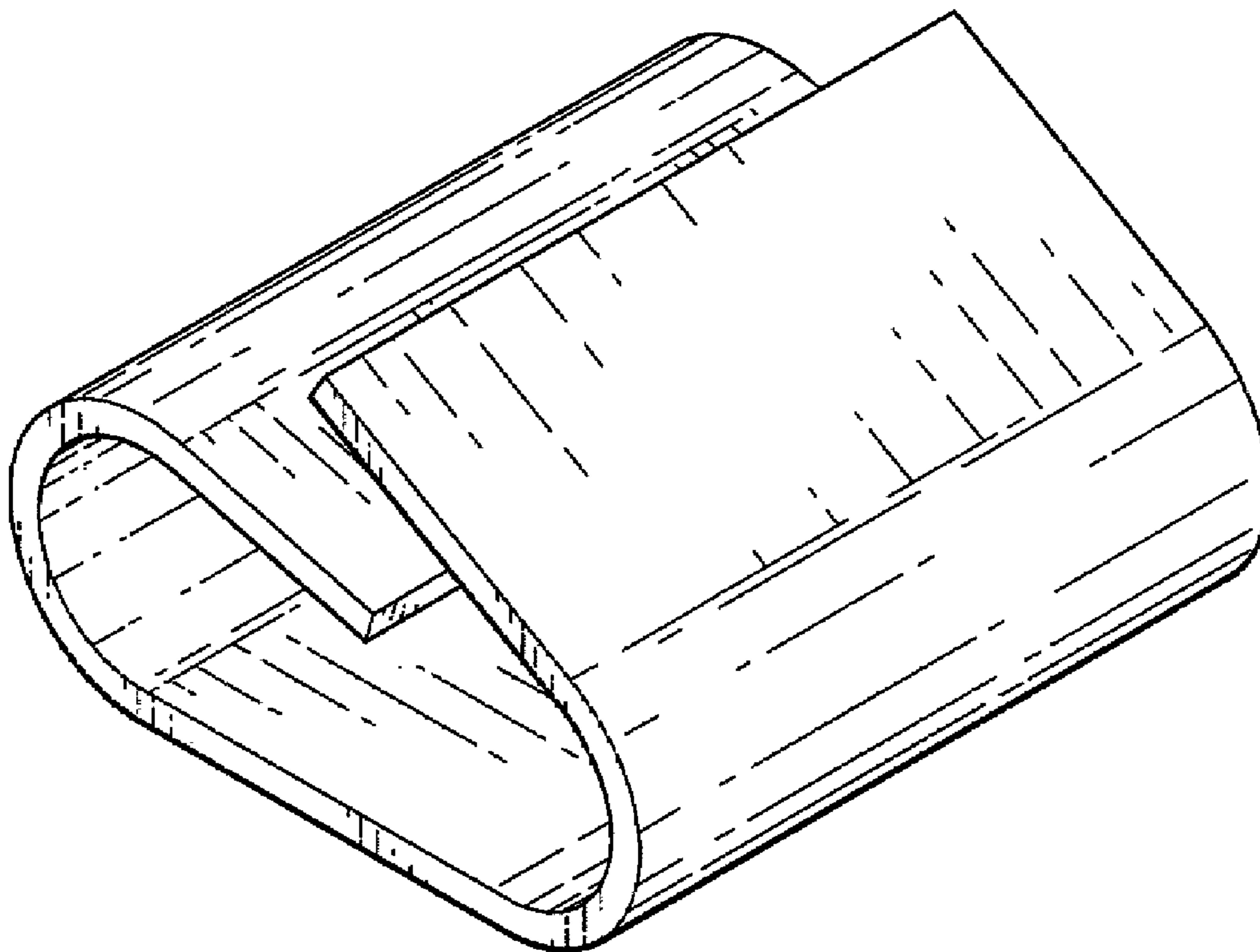
FIG. 3 is a back view of the safety latch of FIG. 1;

FIG. 4 is a top view of the safety latch of FIG. 1;

FIG. 5 is a right side elevational view of the safety latch of FIG. 1; and,

FIG. 6 is a bottom view of the safety latch of FIG. 1.

1 Claim, 2 Drawing Sheets



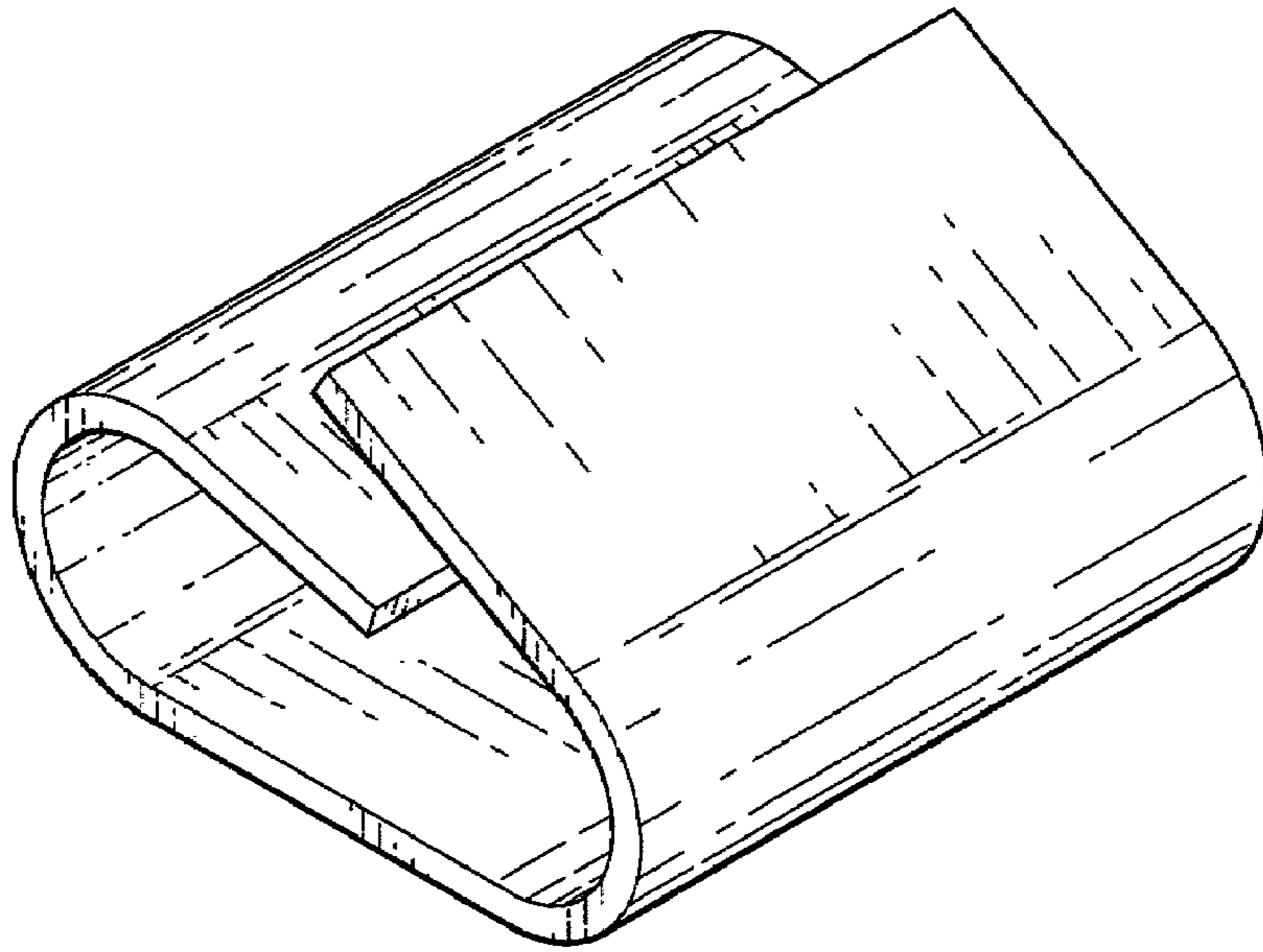


Fig. 1

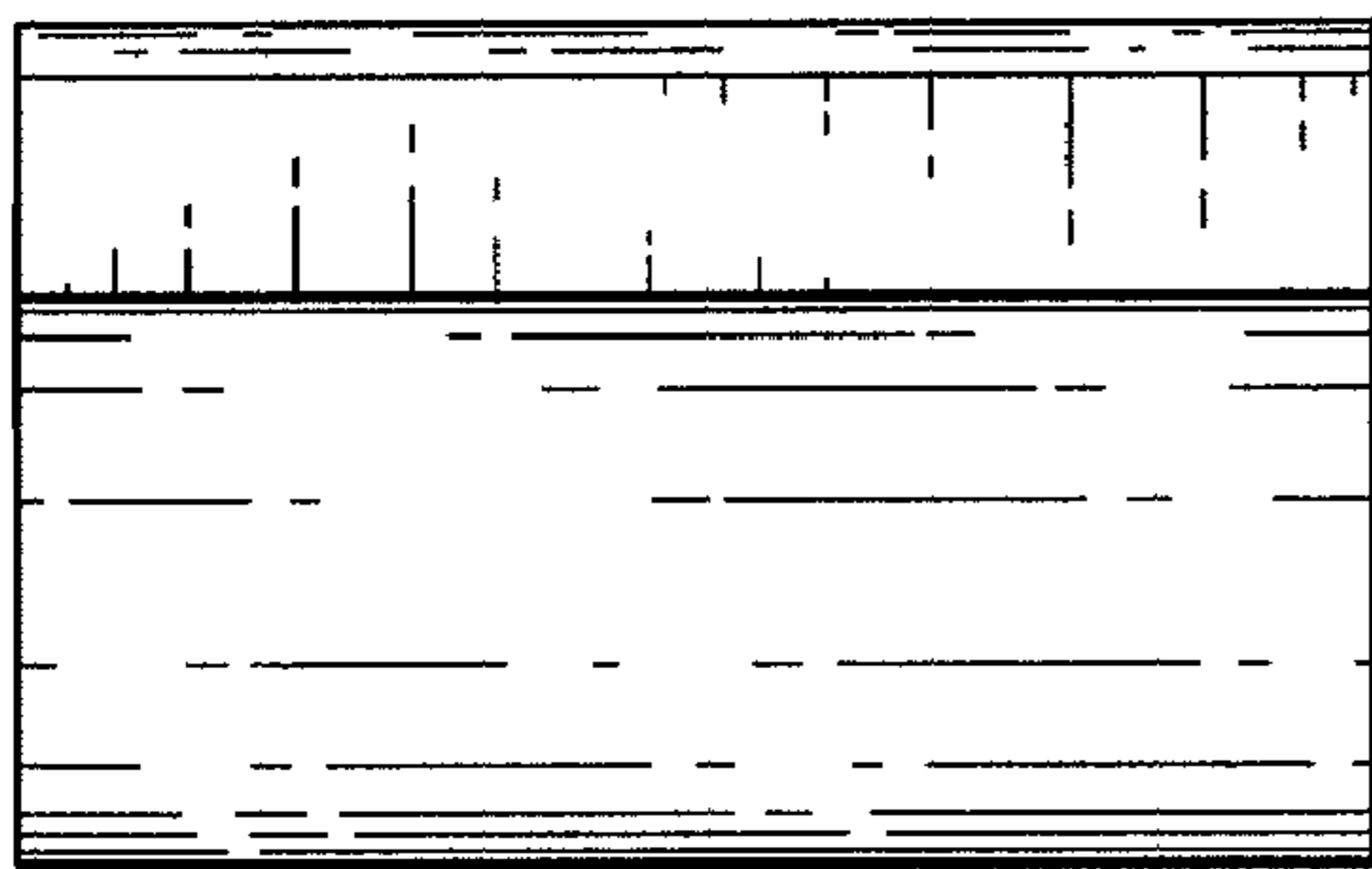


Fig. 2

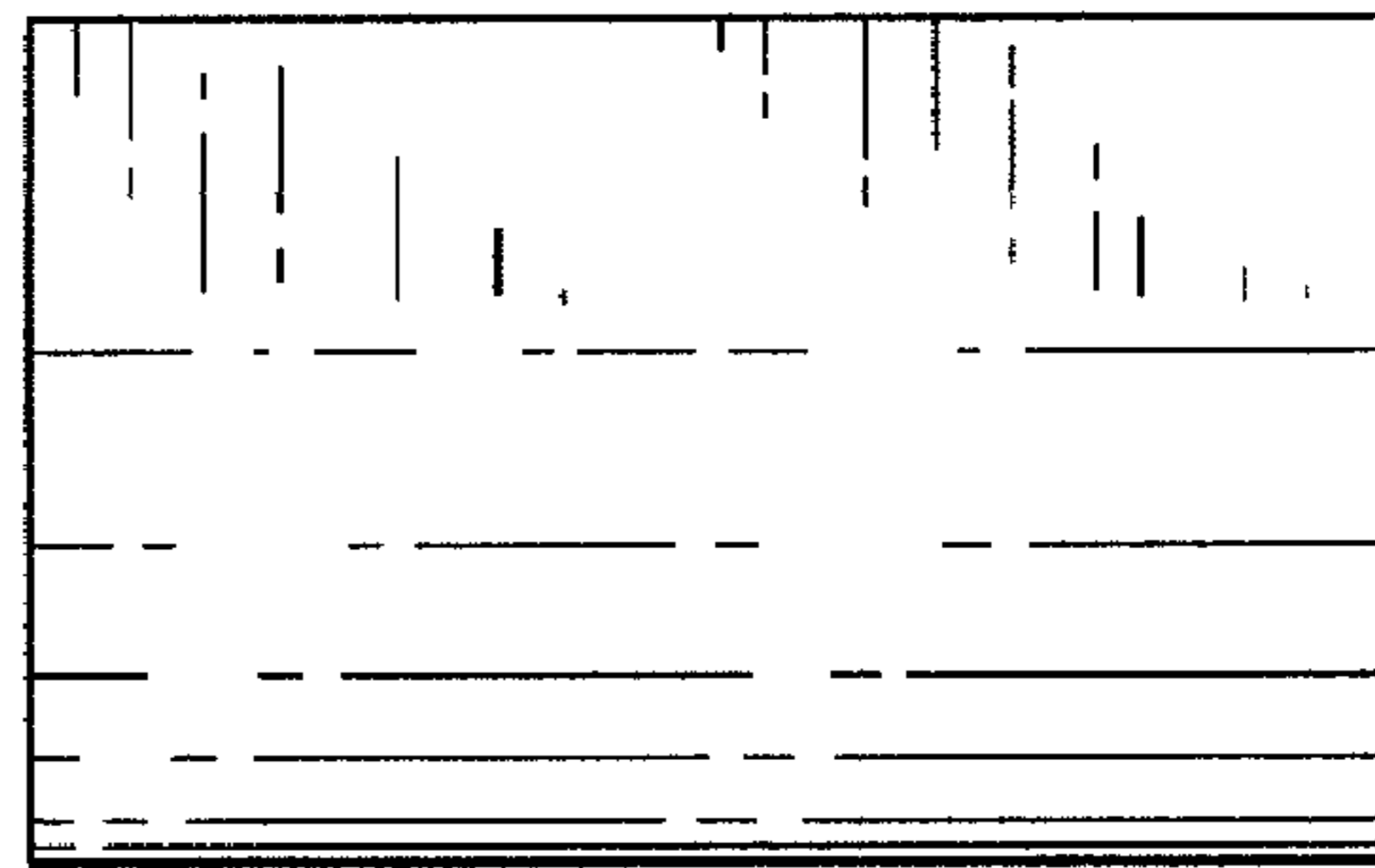


Fig. 3

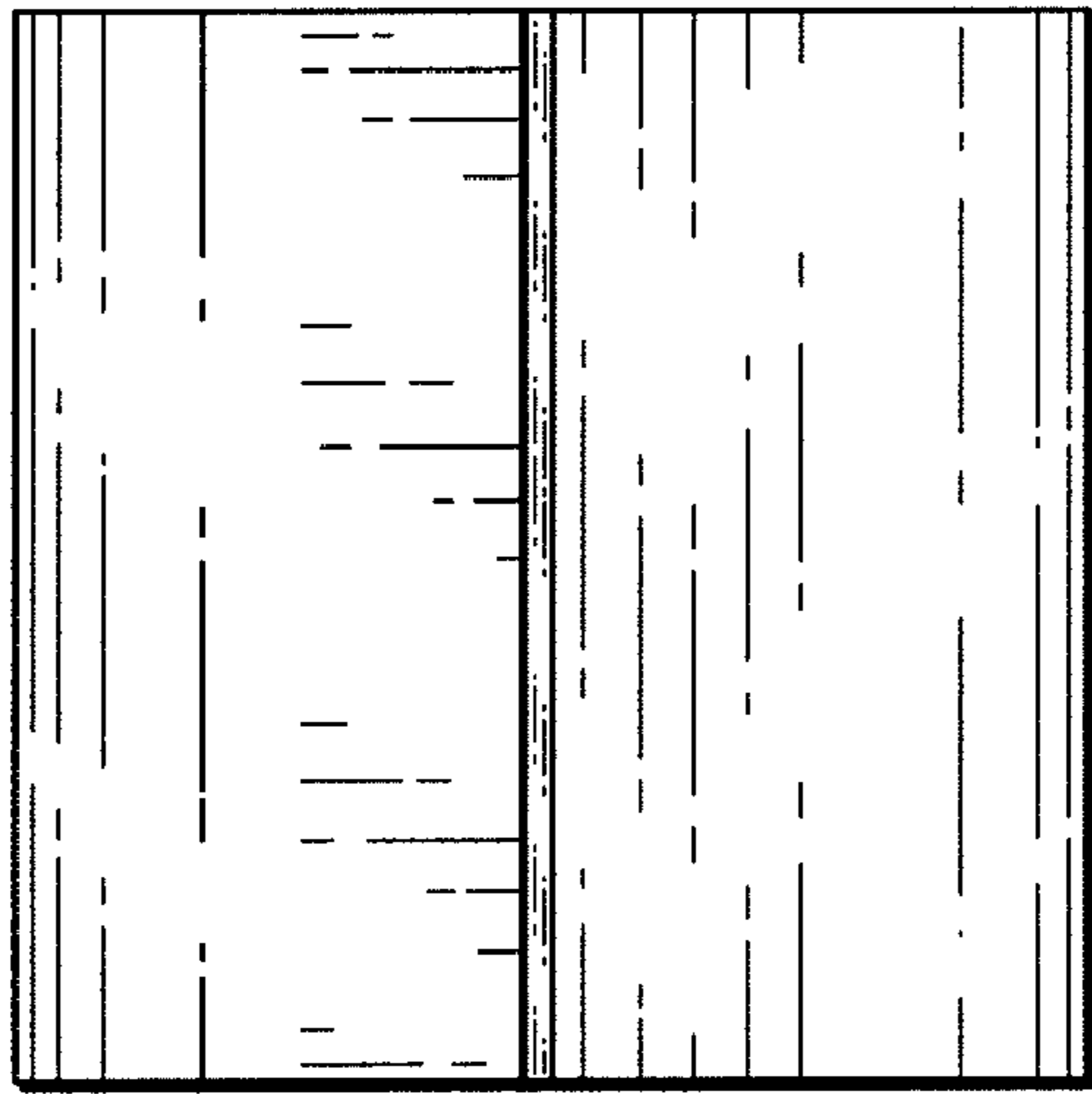


Fig. 4

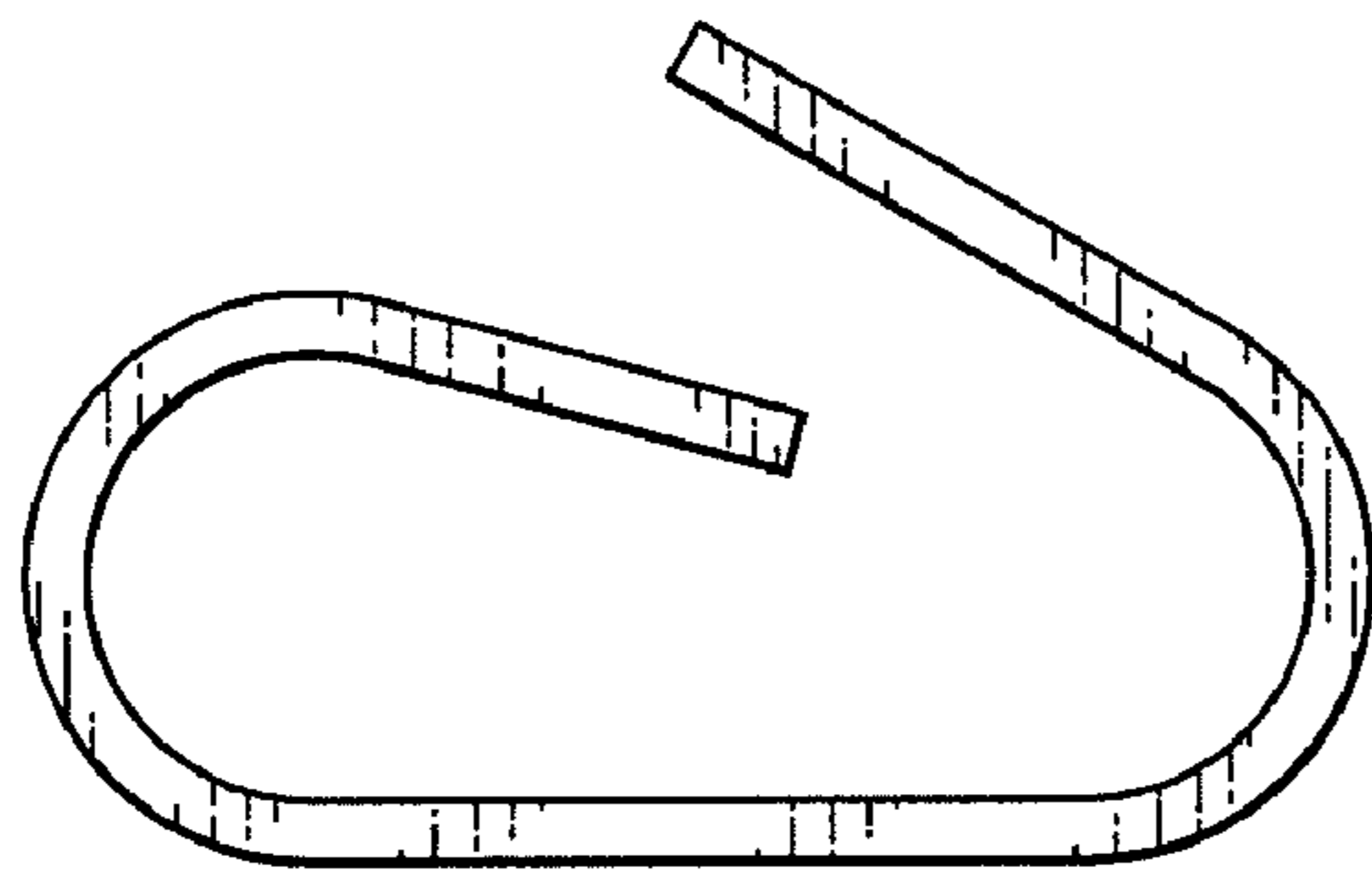


Fig. 5

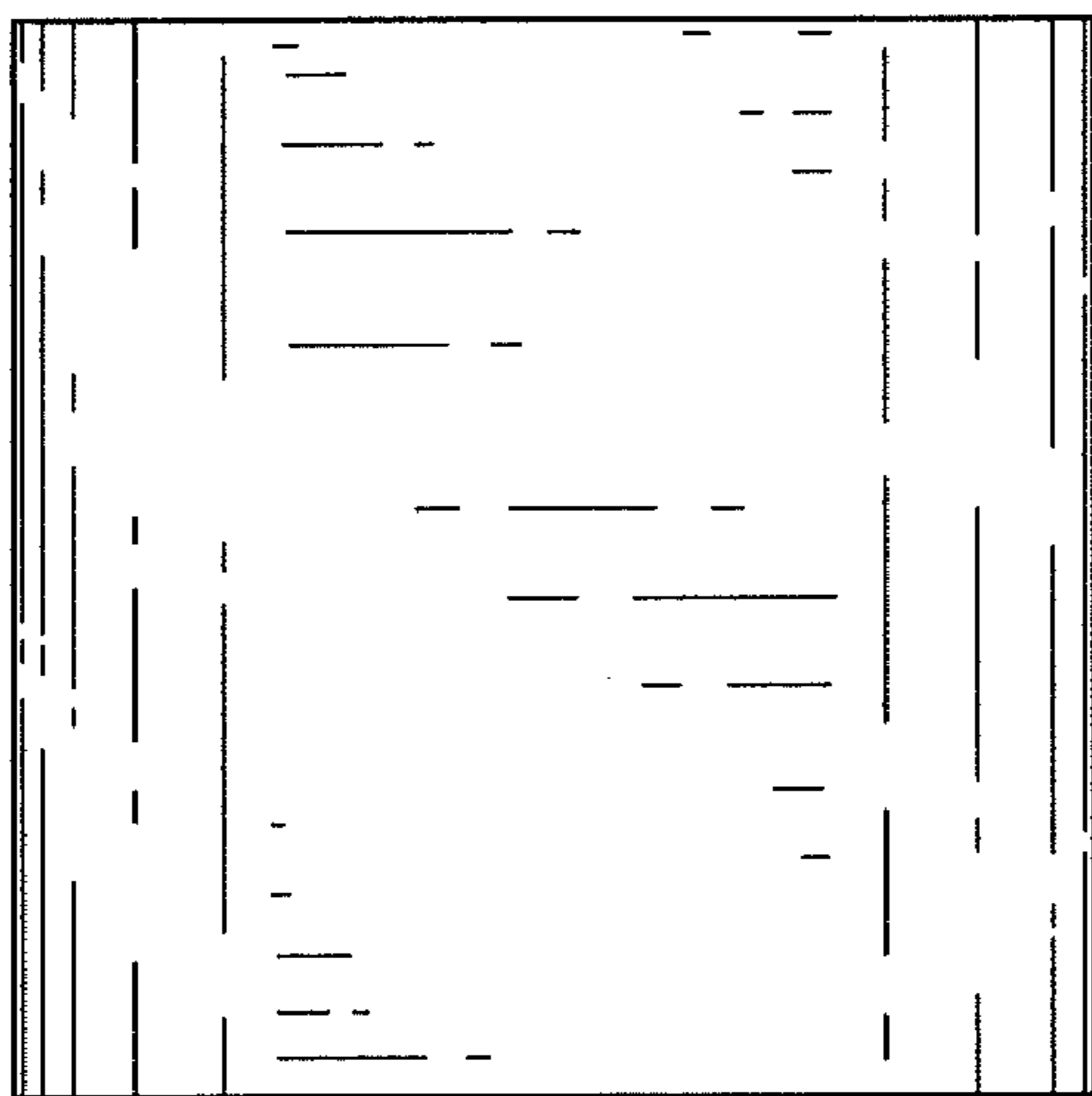


Fig. 6