



US00D610439S

(12) **United States Design Patent**
Wood

(10) **Patent No.:** **US D610,439 S**

(45) **Date of Patent:** **** Feb. 23, 2010**

(54) **SHELVING SUPPORT BRACKET**

Primary Examiner—Susan Bennett Hattan

(76) Inventor: **Timothy James Wood**, 6 Stephen Dr.,
Wynantskill, NY (US) 12198

(57) **CLAIM**

The ornamental design for a shelving support bracket, as shown and described.

(**) Term: **14 Years**

(21) Appl. No.: **29/332,489**

DESCRIPTION

(22) Filed: **Feb. 18, 2009**

(51) **LOC (9) Cl.** **08-05**

(52) **U.S. Cl.** **D8/381**

(58) **Field of Classification Search** D8/403,
D8/381, 380, 373, 363, 354, 349; D6/574,
D6/573, 572; 52/712-715, 665, 506.06;
292/346; 248/265, 247, 243, 235, 200; 108/85;
D25/119, 102, 112, 126, 141
See application file for complete search history.

FIG. 1 is a enlarged, three-dimensional view of my new design from the front and Left side of the shelving support bracket in accordance with the present invention. The circles on the surface of the shelving support bracket indicating holes.

FIG. 2 is a front view of the shelving support bracket, shown with three boards properly aligned, the boards being shown in broken lines and forming no part of the claimed design.

FIG. 3 is a bottom view thereof;

FIG. 4 is a left view thereof;

FIG. 5 is a right view thereof;

FIG. 6 is a top view thereof; and,

FIG. 7 is a front view thereof.

(56) **References Cited**

U.S. PATENT DOCUMENTS

- 4,183,488 A * 1/1980 Shepard 248/247
- D484,029 S * 12/2003 Bainbridge D8/380
- D504,609 S * 5/2005 Ferguson D8/380

* cited by examiner

1 Claim, 7 Drawing Sheets

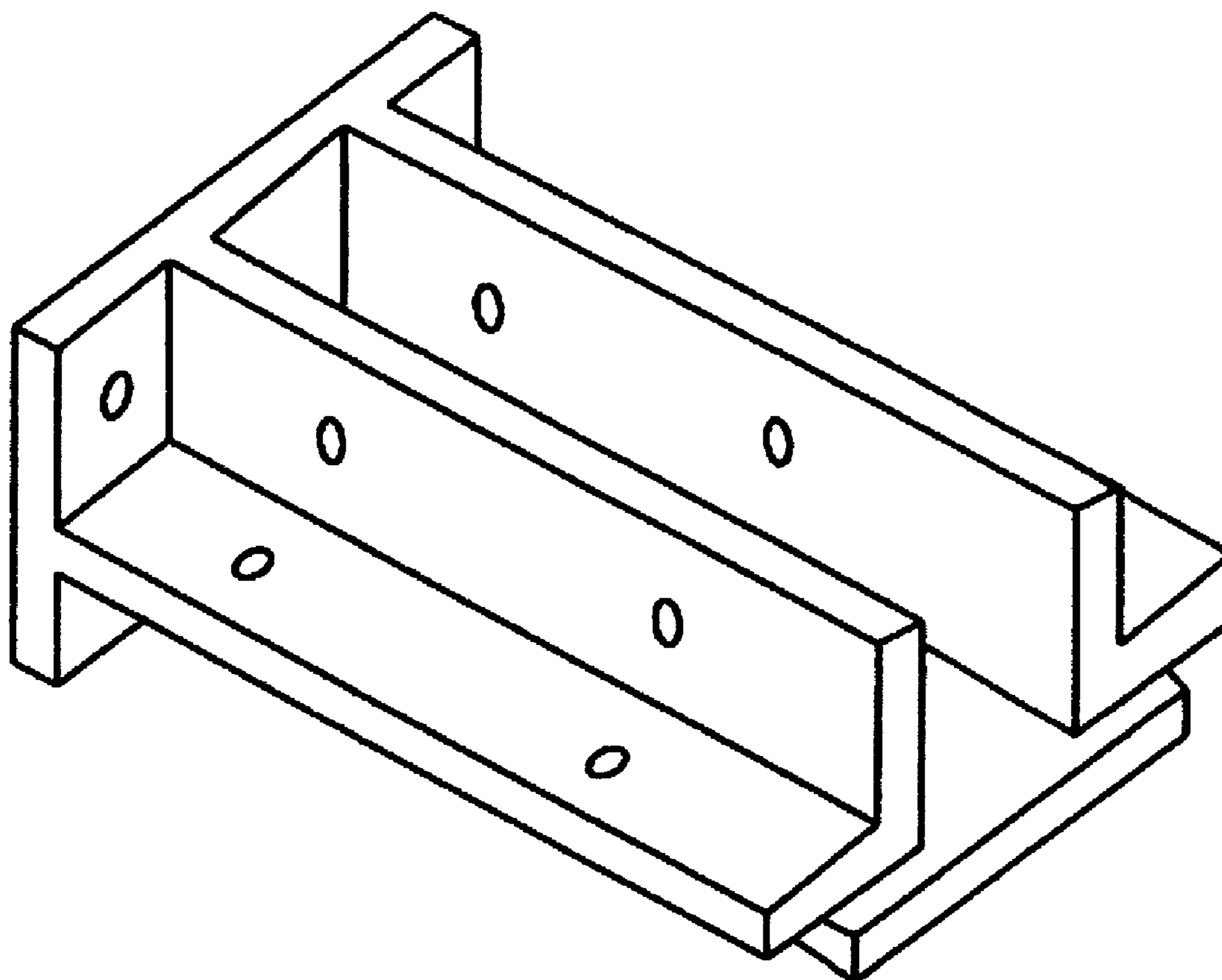
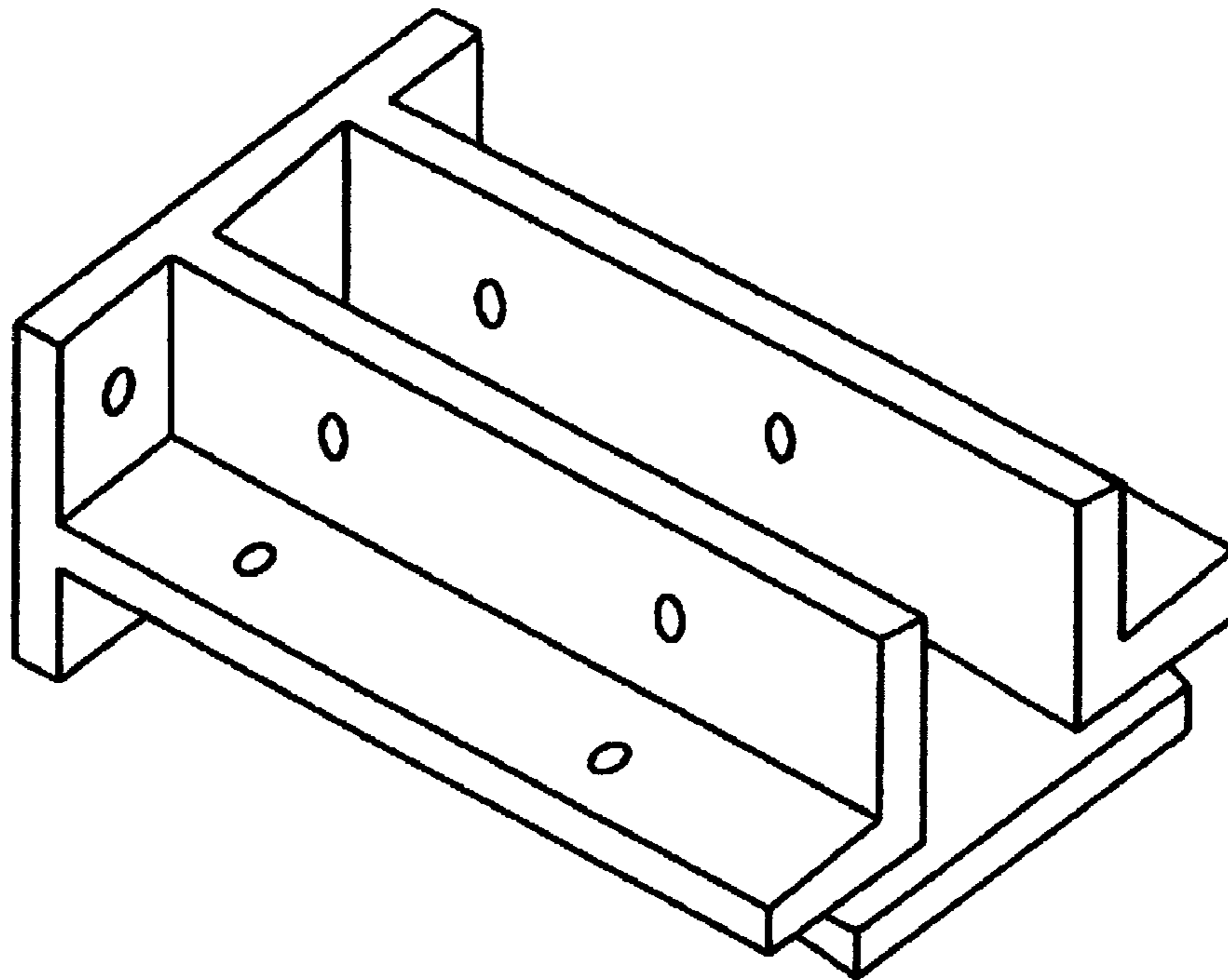


Fig. 1



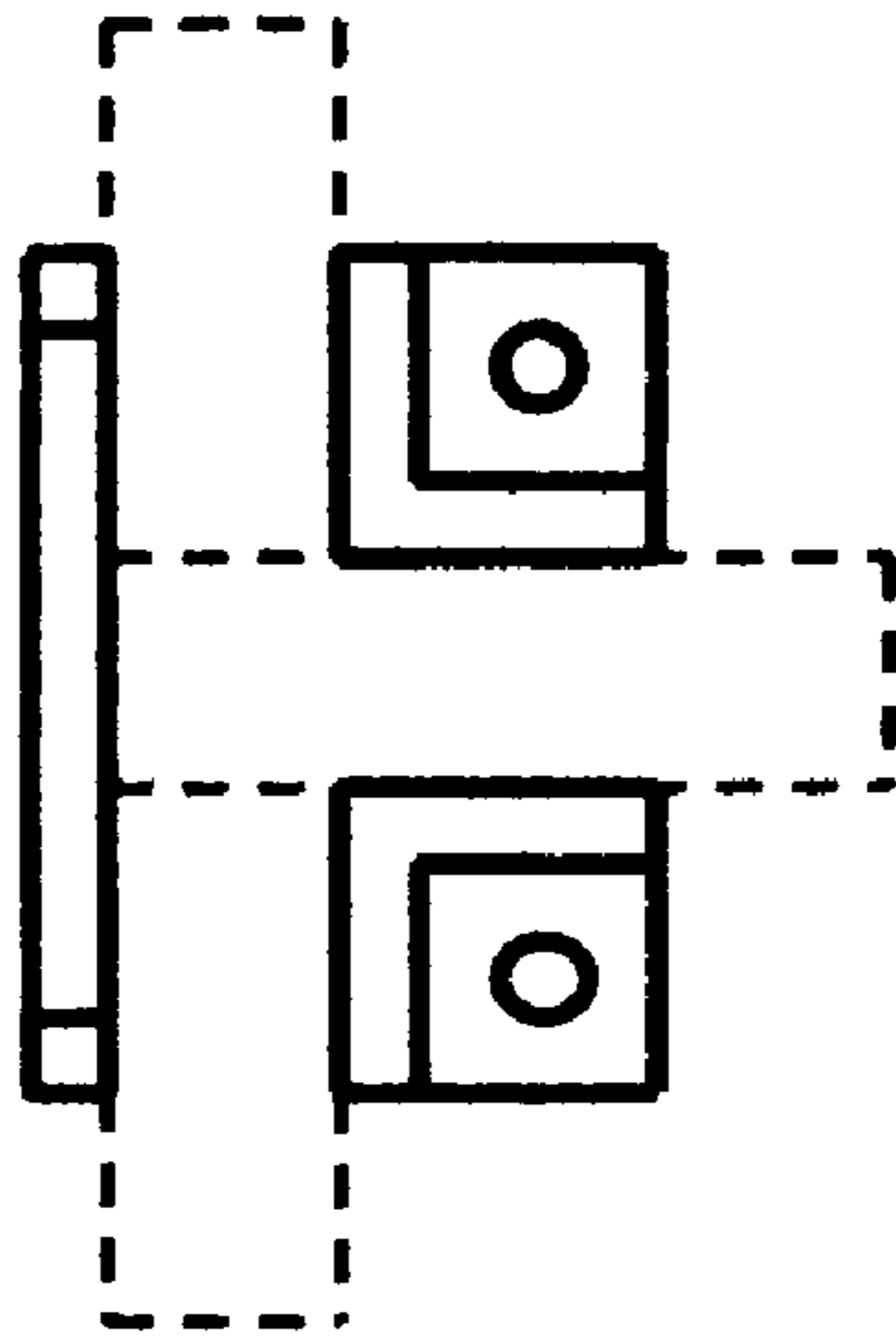


FIG. 2

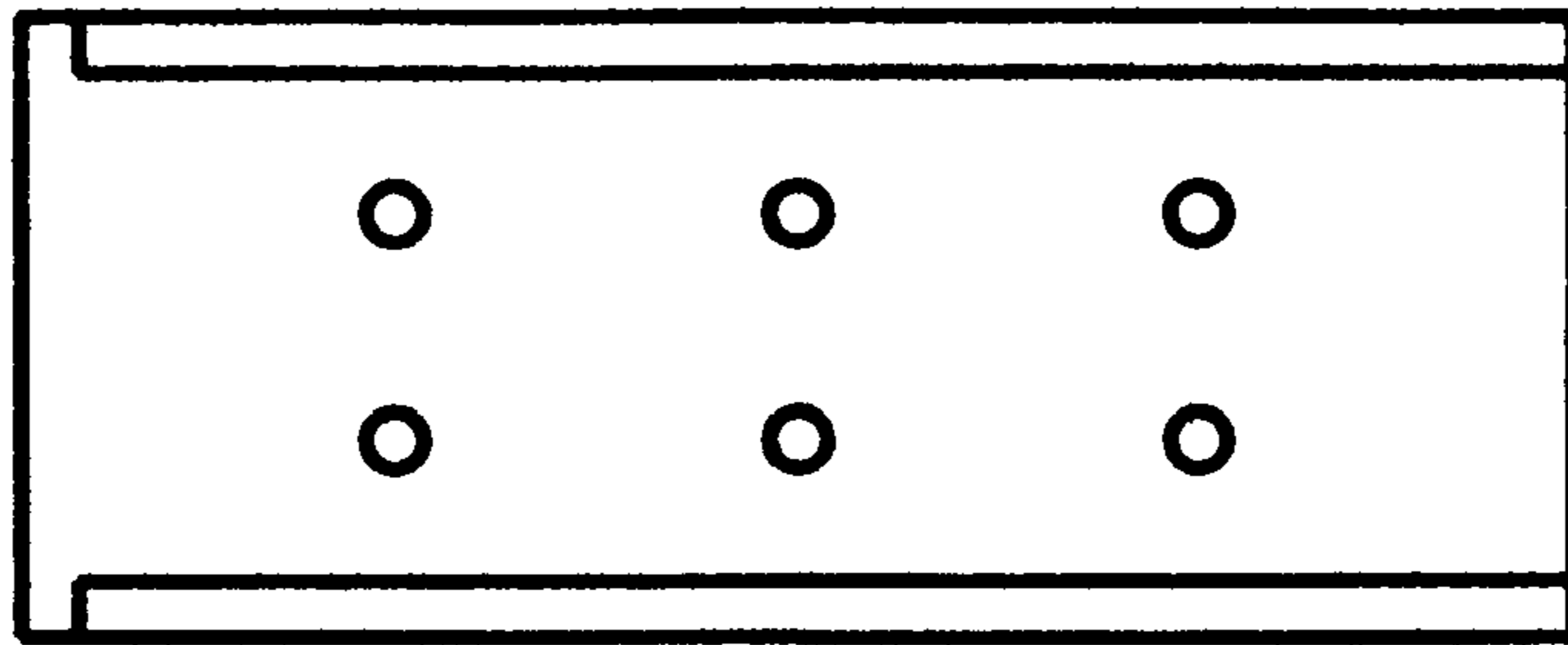


FIG 3

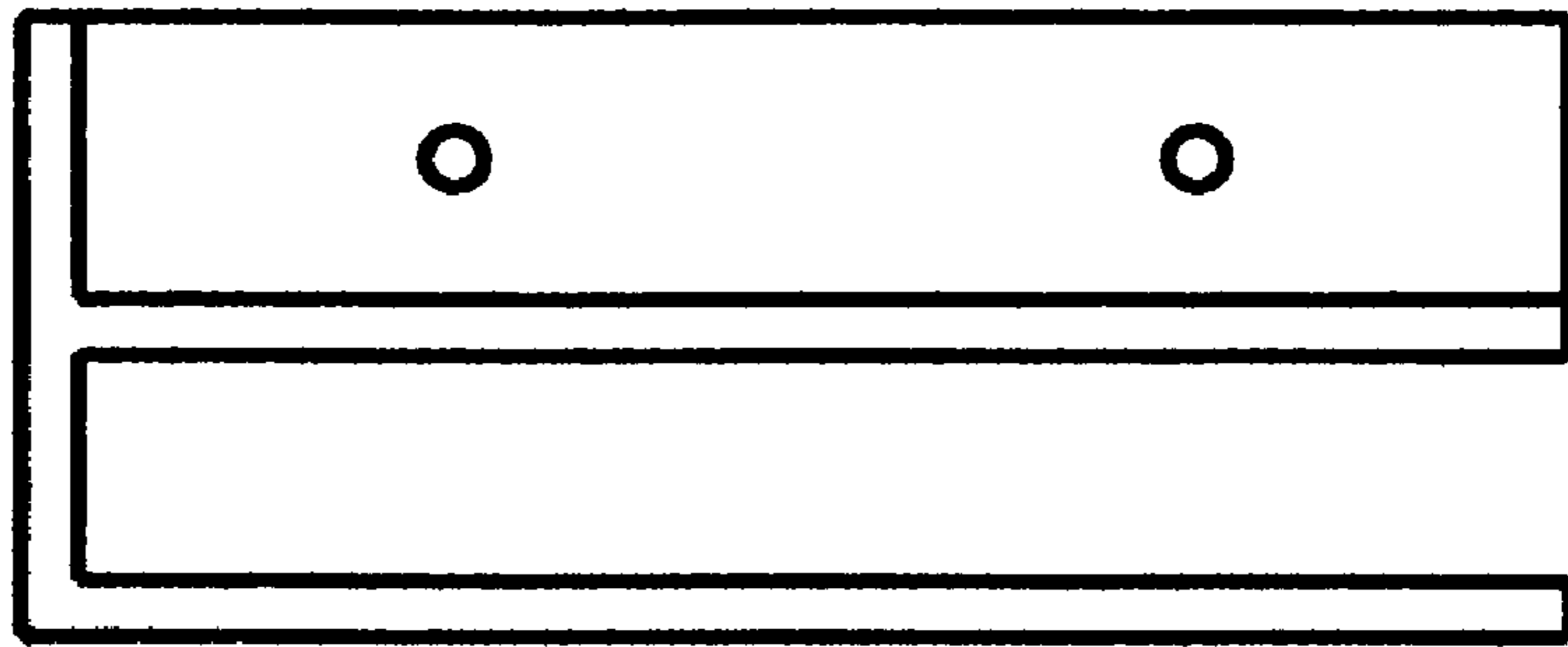


FIG 4

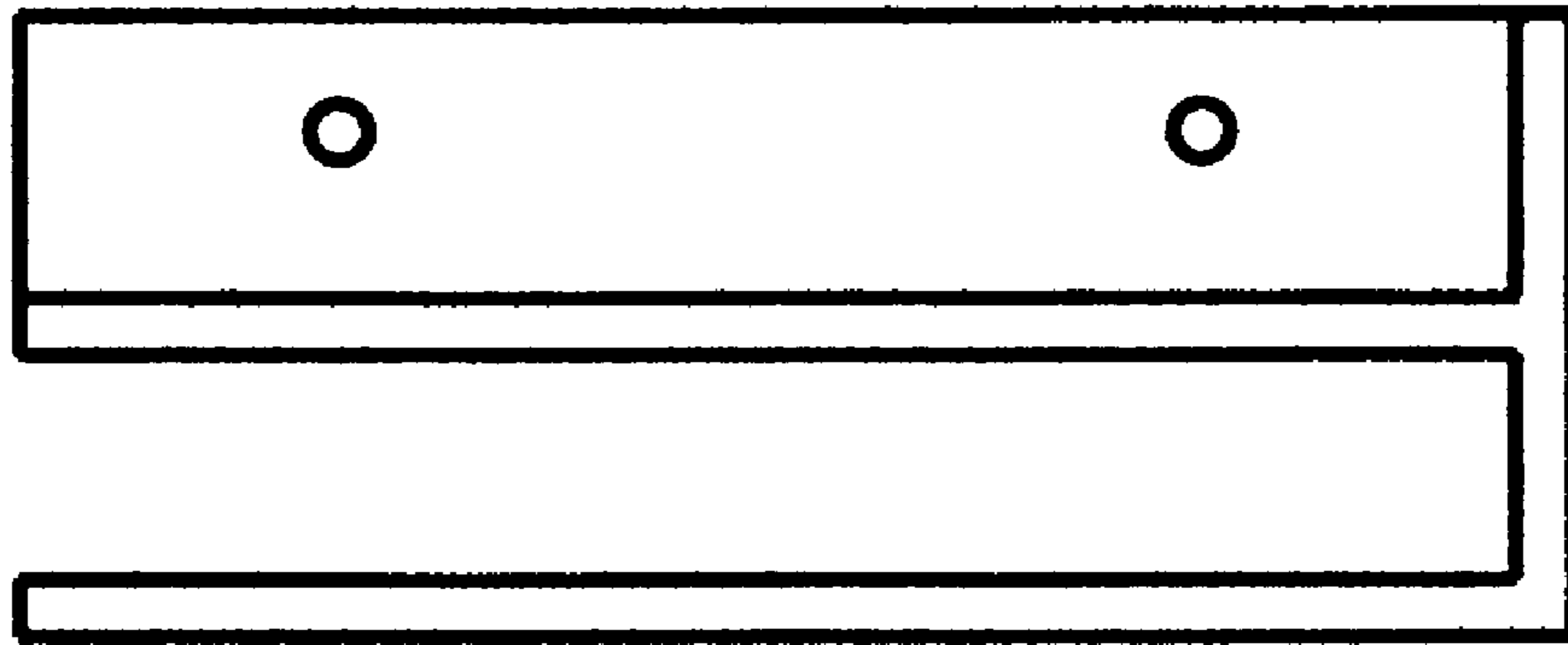


Fig. 5

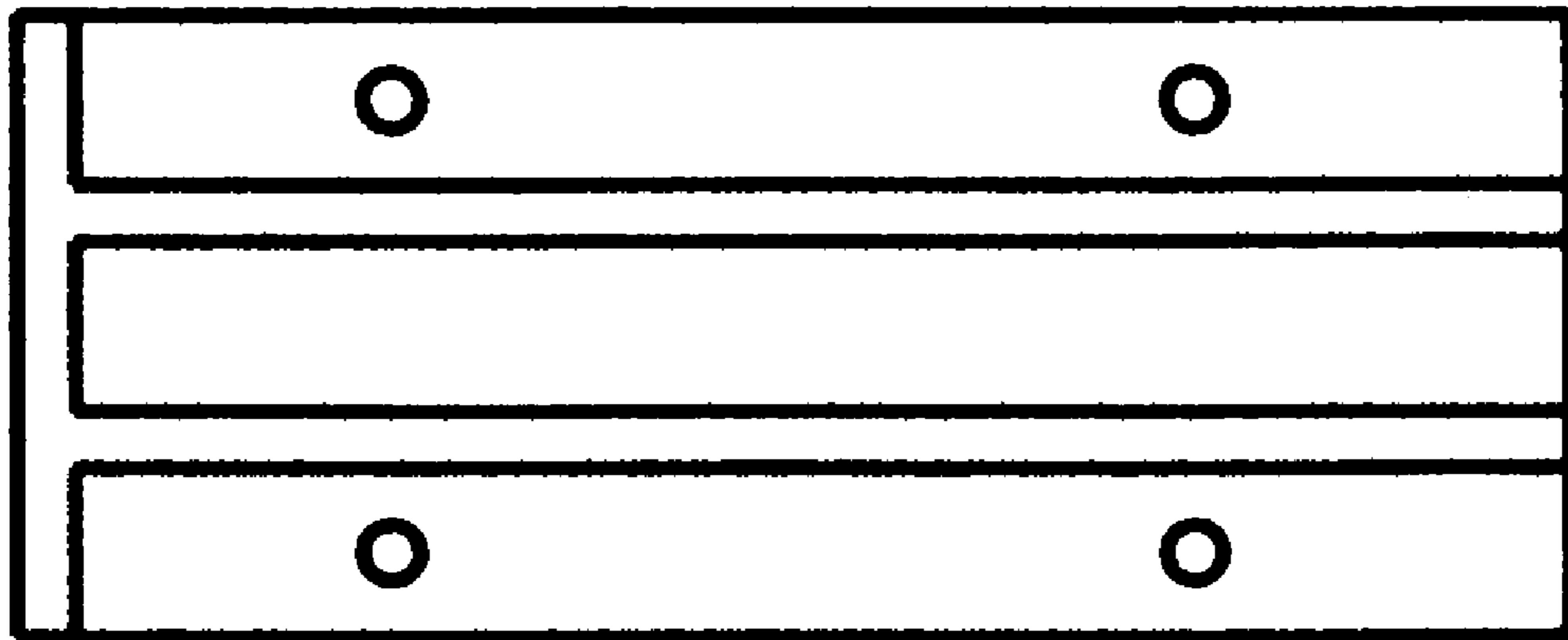


Fig. 6

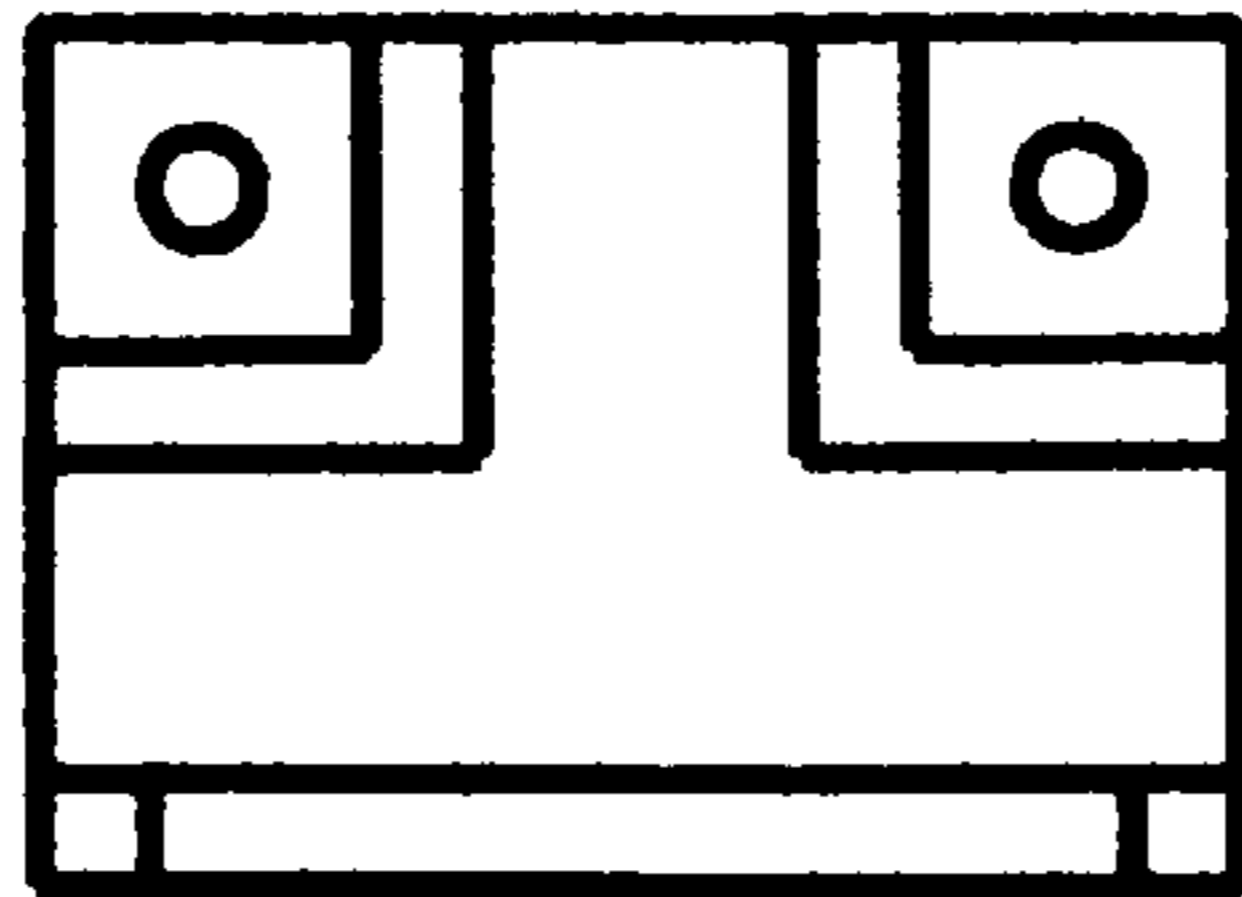


Fig. 7