



US00D610438S

(12) **United States Design Patent**
Libohova

(10) **Patent No.:** **US D610,438 S**

(45) **Date of Patent:** **** Feb. 23, 2010**

(54) **ROADWAY SIGN LIGHT BRACKET**

D541,138 S * 4/2007 Whalen et al. D8/354
D578,867 S * 10/2008 Deuer D8/354

(75) Inventor: **Agjah Libohova**, Westbury, NY (US)

* cited by examiner

(73) Assignee: **Autronic Plastics, Inc.**, Westbury, NY (US)

Primary Examiner—Robert M Spear

Assistant Examiner—Barbara B Lohr

(**) Term: **14 Years**

(74) *Attorney, Agent, or Firm*—Ostrolenk Faber LLP

(21) Appl. No.: **29/333,484**

(57) **CLAIM**

(22) Filed: **Mar. 10, 2009**

The ornamental design for a roadway sign light bracket, as shown and described.

(51) **LOC (9) Cl.** **08-05**

(52) **U.S. Cl.** **D8/373**

(58) **Field of Classification Search** D8/349,
D8/354, 355, 356, 363, 373, 380, 381; 248/27.1,
248/200, 218.4, 227.3, 300, 309.1; 403/187,
403/192, 230, 260, 262; 256/59, 65.01, 65.02,
256/65.03, 65.04, 65.05, 65.06, 65.07, 66;
D12/223; D6/449; D26/138

See application file for complete search history.

DESCRIPTION

FIG. 1 is a perspective view of a roadway sign light bracket showing my new design;

FIG. 2 is a front elevation view thereof;

FIG. 3 is a top plan thereof;

FIG. 4 is a bottom plan view thereof;

FIG. 5 is a rear elevation view thereof; and,

FIG. 6 is a right side elevation view thereof, the left side elevation view being a mirror image.

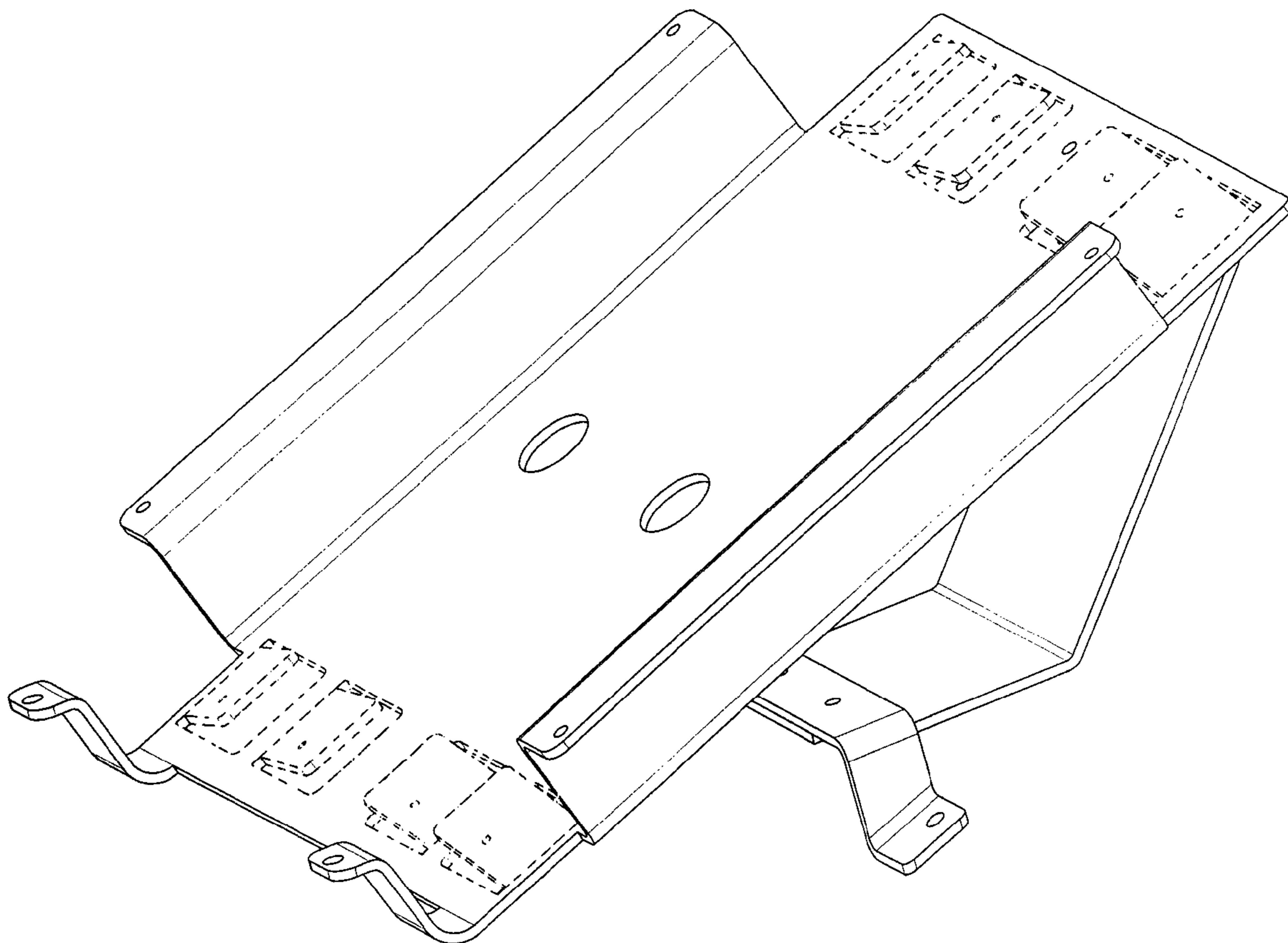
The broken line showing in FIGS. 1–6 is for the purpose of illustrating a possible accessory mounting configuration, and forms no part of the claimed design.

(56) **References Cited**

U.S. PATENT DOCUMENTS

- D311,130 S * 10/1990 Whitaker D8/381
- D426,671 S * 6/2000 Soefje et al. D26/138
- D477,268 S * 7/2003 Baynes D12/223
- D512,855 S * 12/2005 Bryson D6/449

1 Claim, 6 Drawing Sheets



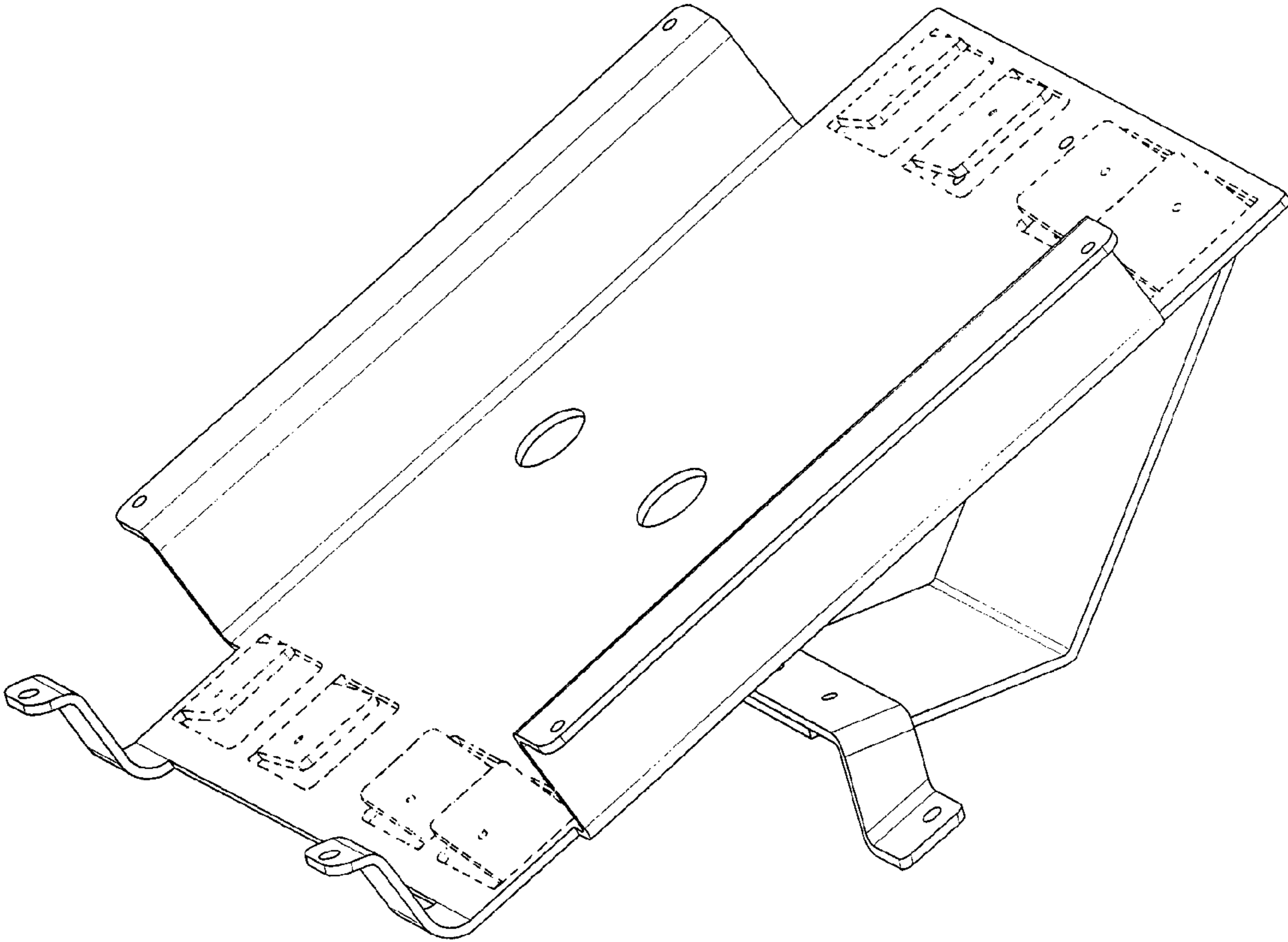


FIG. 1

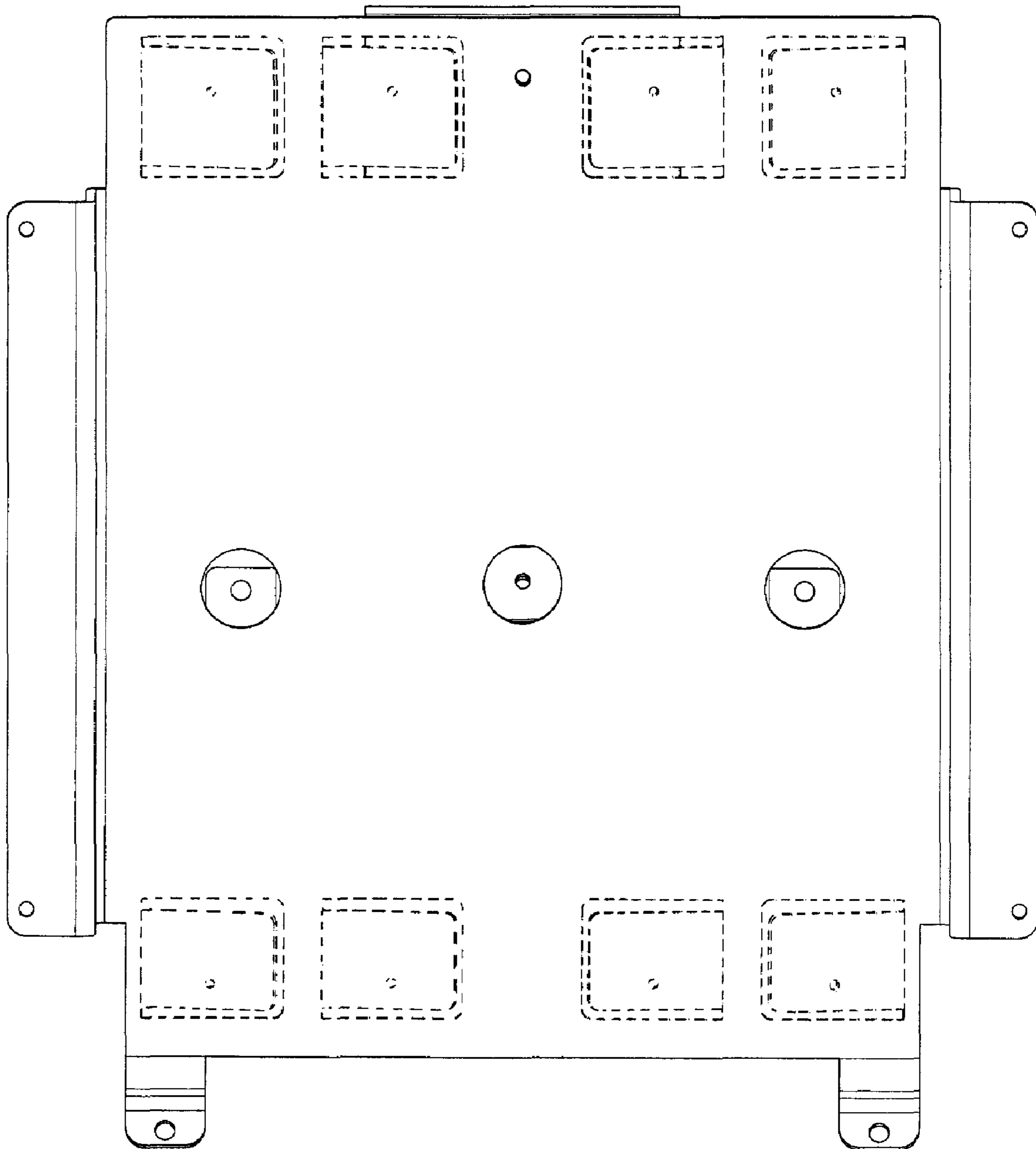


FIG.2

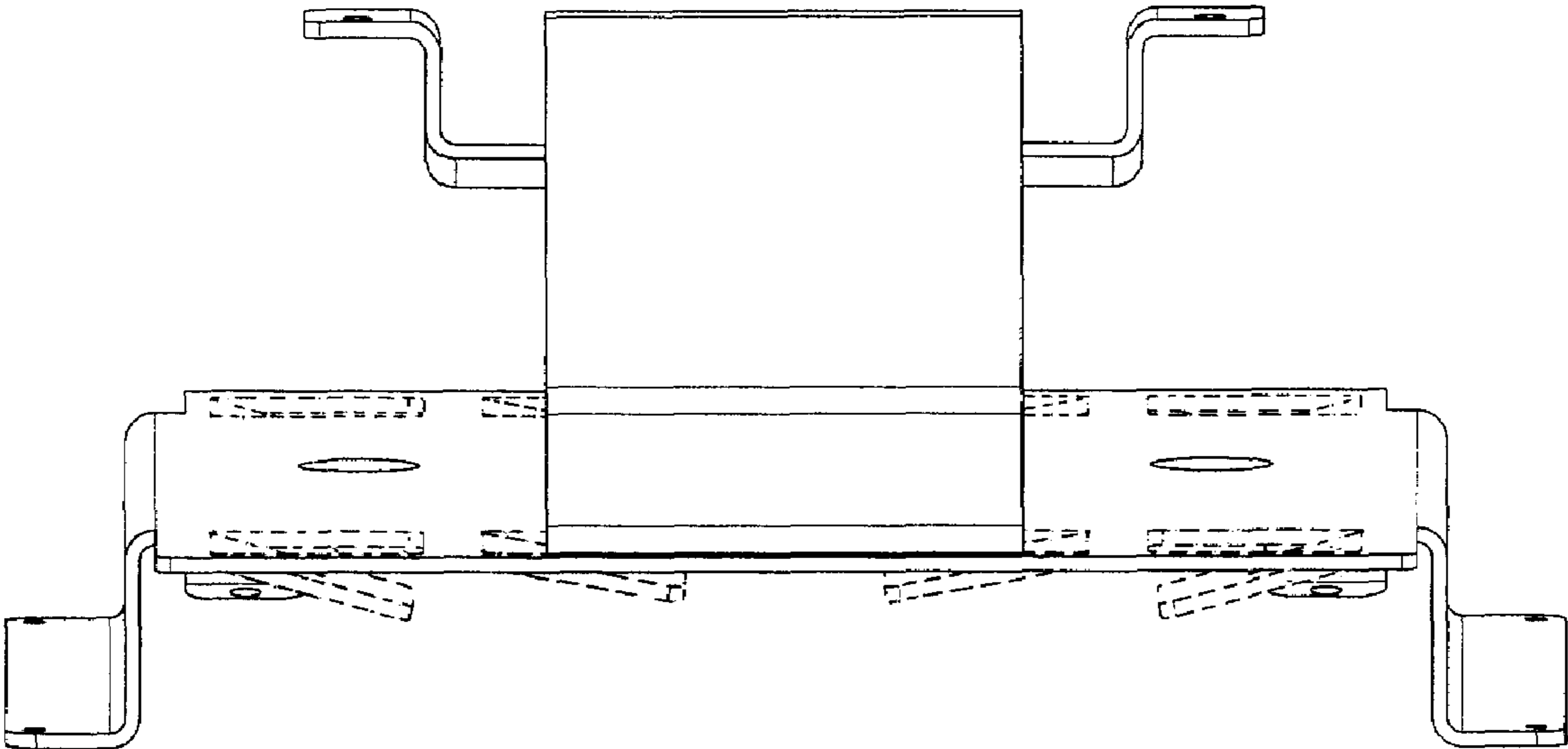


FIG.3

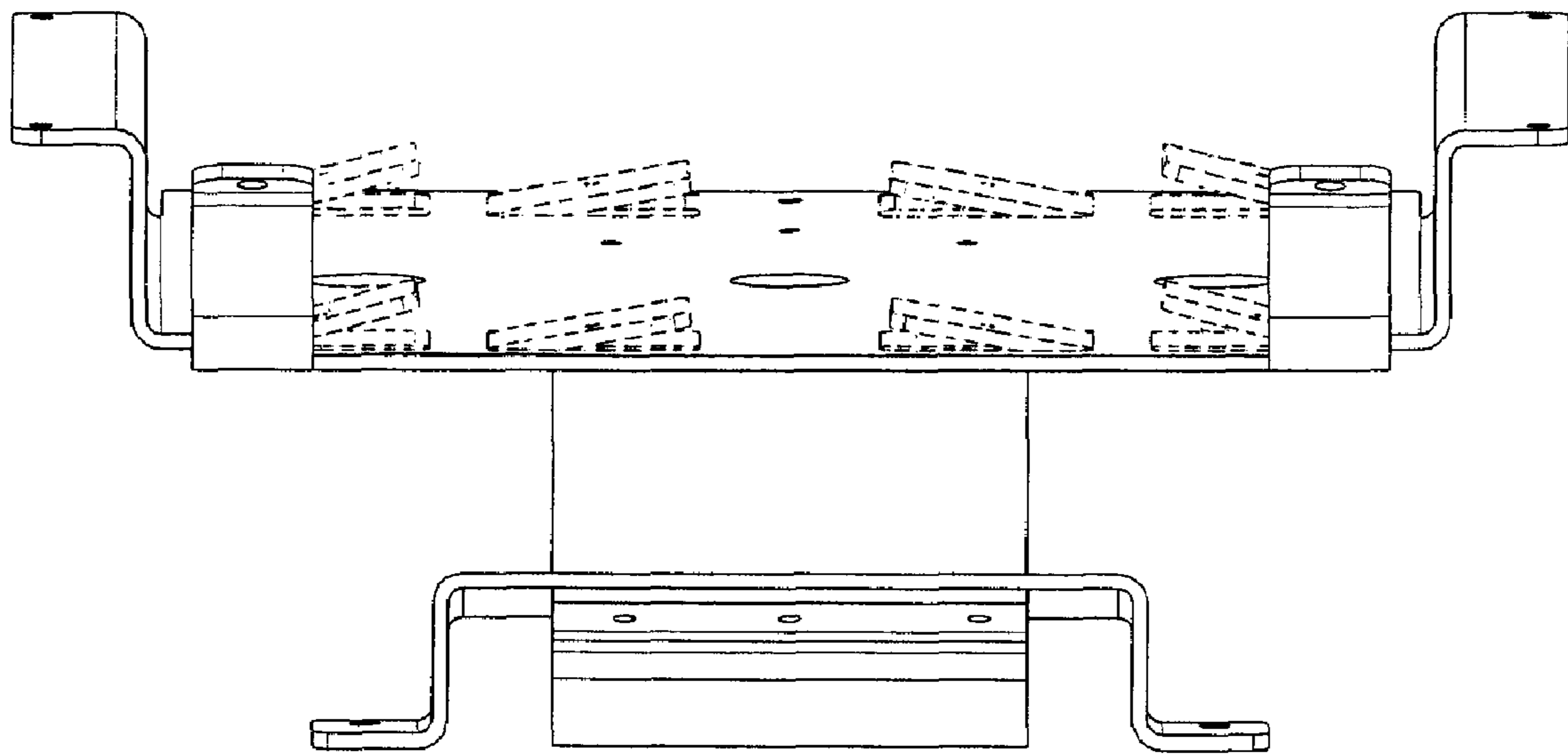


FIG.4

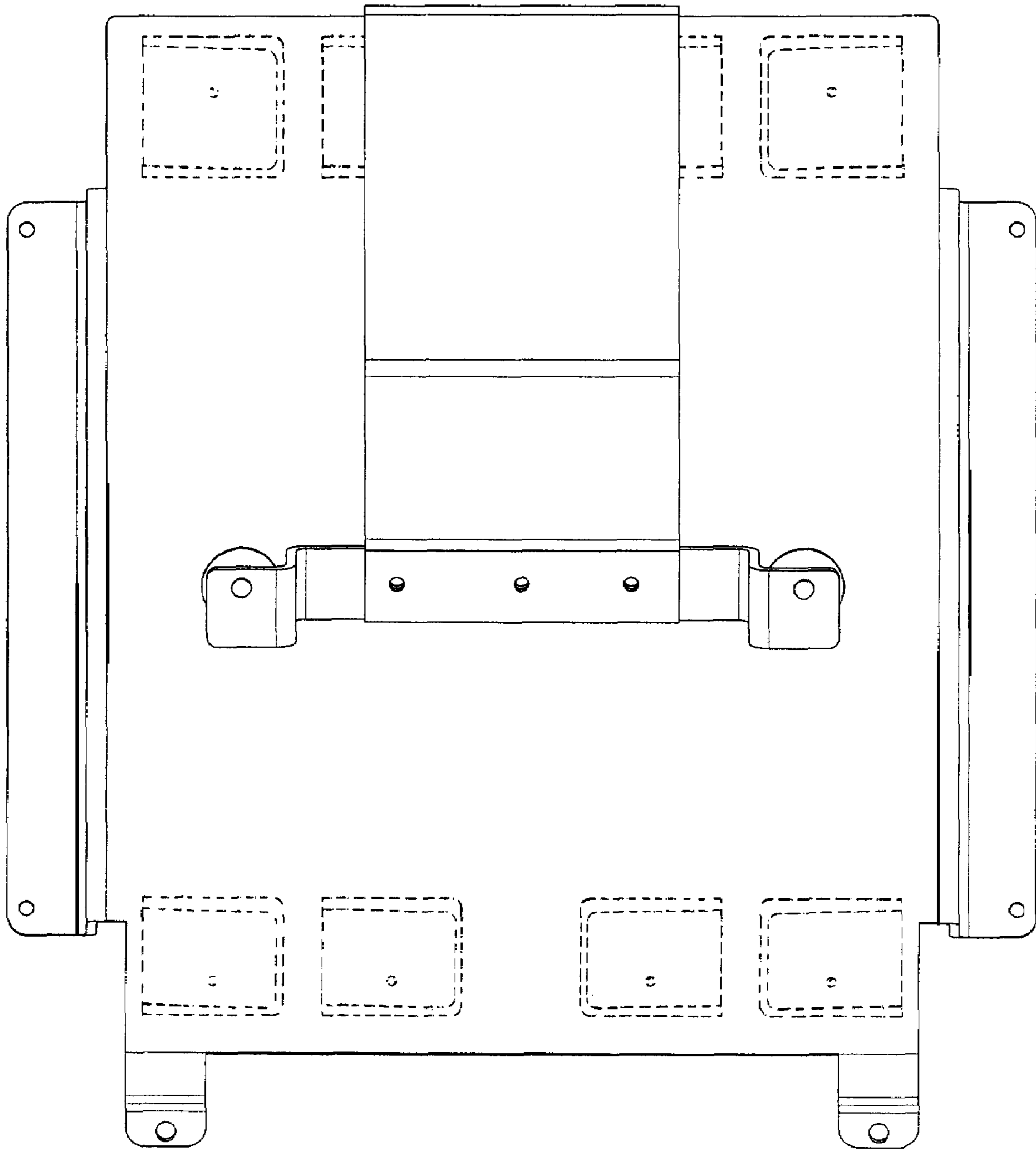


FIG.5

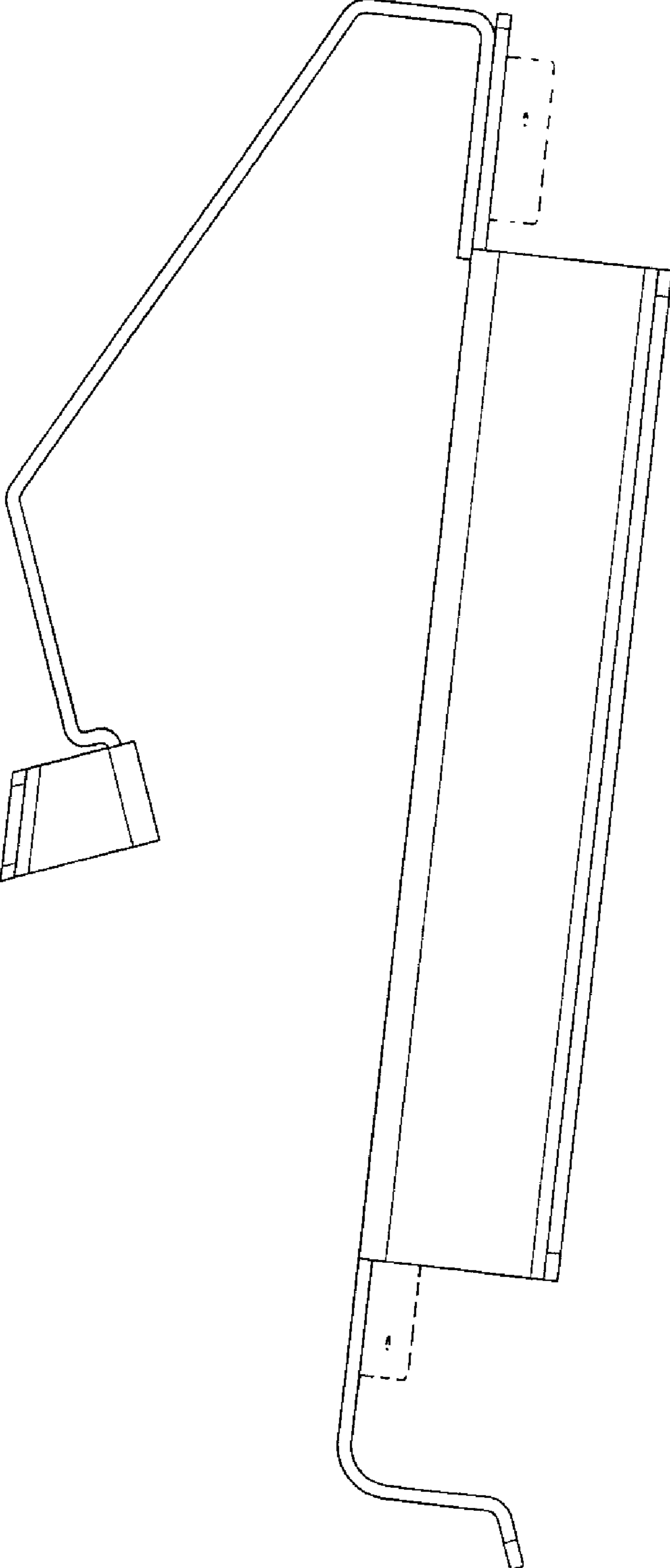


FIG.6