



US00D610437S

(12) **United States Design Patent**  
**Bremmon et al.**

(10) **Patent No.:** **US D610,437 S**  
(45) **Date of Patent:** **\*\* Feb. 23, 2010**

- (54) **FIXED TWO-RAIL MOUNT FOR ELECTRONIC DISPLAY**
- (75) Inventors: **Jeff Bremmon**, Shakopee, MN (US);  
**Jamie Brandt**, Shakopee, MN (US)
- (73) Assignee: **Milestone AV Technologies LLC**,  
Savage, MN (US)
- (\*\*) Term: **14 Years**
- (21) Appl. No.: **29/319,792**
- (22) Filed: **Jun. 15, 2008**
- (51) **LOC (9) Cl.** ..... **08-05**
- (52) **U.S. Cl.** ..... **D8/373**
- (58) **Field of Classification Search** ..... D6/553,  
D6/567, 569-571; 40/124.01, 124.2, 124.4,  
40/124.5; 206/6.1; 211/13.1, 86.01, 87.01;  
248/309.1, 314; D8/363, 373, 380  
See application file for complete search history.

(56) **References Cited**  
U.S. PATENT DOCUMENTS

3,146,738 A	9/1964	Telarico
3,188,030 A	6/1965	Fischer
3,464,661 A	9/1969	Alesi, Jr.
3,698,329 A	10/1972	Diamond et al.
D232,917 S	9/1974	Vincent
3,856,246 A	12/1974	Sinko
4,202,520 A	5/1980	Loos et al.
D260,336 S	8/1981	Springer
D279,249 S	6/1985	Fausel
D282,328 S	1/1986	Brescia et al.
D293,404 S	12/1987	Murphy
4,938,005 A	7/1990	Focke
5,348,385 A	9/1994	Berg

(Continued)

FOREIGN PATENT DOCUMENTS

KR 10-2007-0022915 A 2/2007

(Continued)

OTHER PUBLICATIONS

U.S. Appl. No. 29/282,348, filed Jul. 17, 2007, Russell.

(Continued)

*Primary Examiner*—Brian N Vinson

(74) *Attorney, Agent, or Firm*—Patterson, Thunte, Skaar & Christensen, P.A

(57) **CLAIM**

The ornamental design for a fixed two-rail mount for electronic display, as shown and described.

**DESCRIPTION**

FIG. 1 is a front perspective view of a fixed two-rail mount for electronic display according to the invention;

FIG. 2 is a front elevation view of the fixed two-rail mount for electronic display depicted in FIG. 1;

FIG. 3 is a rear elevation view of the fixed two-rail mount for electronic display depicted in FIG. 1;

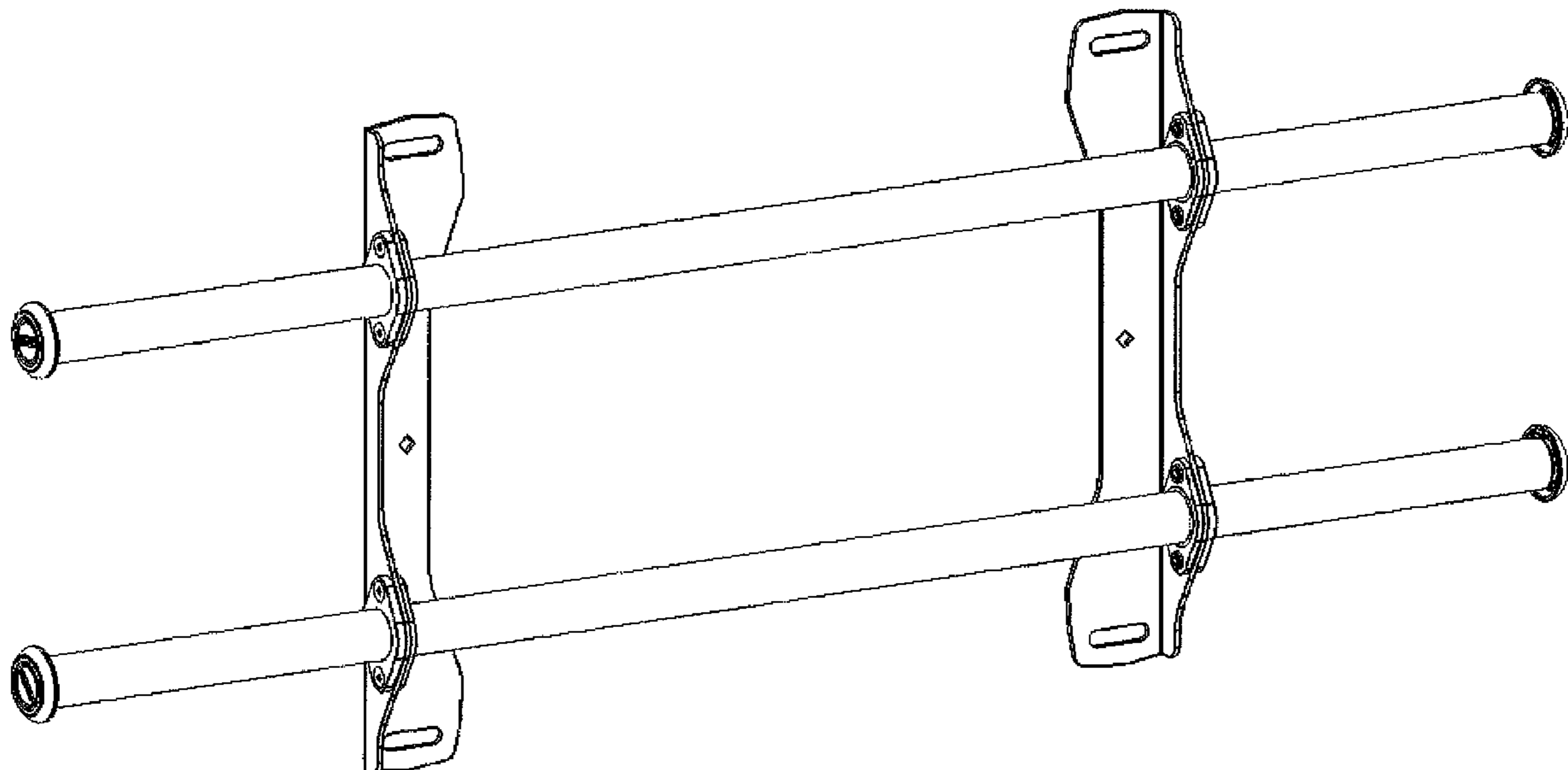
FIG. 4 is a side elevation view of the fixed two-rail mount for electronic display depicted in FIG. 1;

FIG. 5 is an opposing side elevation view of the fixed two-rail mount for electronic display depicted in FIG. 1;

FIG. 6 is a top plan view of the fixed two-rail mount for electronic display depicted in FIG. 1; and,

FIG. 7 is a bottom plan view of the fixed two-rail mount for electronic display depicted in FIG. 1.

**1 Claim, 5 Drawing Sheets**



U.S. PATENT DOCUMENTS

D359,643 S 6/1995 Langmade  
 D400,085 S 10/1998 Haskin  
 5,827,441 A 10/1998 Solbjorg  
 D406,476 S 3/1999 Boije  
 5,992,802 A 11/1999 Campbell  
 D417,611 S 12/1999 van de Lande  
 6,061,104 A 5/2000 Evanicky et al.  
 D426,142 S 6/2000 Moore  
 6,102,348 A 8/2000 O'Neill  
 6,367,756 B1 4/2002 Wang  
 6,402,109 B1 6/2002 Dittmer  
 6,527,466 B1 3/2003 Blier et al.  
 D477,325 S 7/2003 Theis et al.  
 D477,606 S 7/2003 Theis et al.  
 644,609 A1 11/2003 Scott  
 D485,161 S 1/2004 Hutchinson  
 D488,708 S 4/2004 Lam et al.  
 D493,800 S 8/2004 Pfister et al.  
 D494,183 S 8/2004 Wills et al.  
 D494,596 S \* 8/2004 Pfister ..... D8/380  
 D494,978 S 8/2004 Pfister  
 D495,713 S 9/2004 Pfister et al.  
 D496,367 S 9/2004 Pfister  
 D497,537 S 10/2004 O'Keene et al.  
 D505,477 S 5/2005 Rager  
 6,905,101 B1 6/2005 Dittmer  
 6,923,413 B2 8/2005 Dozier  
 D517,085 S 3/2006 Deuschle  
 D520,017 S 5/2006 van Kuijk et al.  
 D520,794 S 5/2006 Grover  
 D528,901 S \* 9/2006 David ..... D8/373  
 D530,595 S 10/2006 Lam et al.  
 D532,290 S 11/2006 David  
 7,152,836 B2 12/2006 Pfister  
 7,178,775 B2 2/2007 Pfister  
 D538,140 S \* 3/2007 Ly Hau et al. .... D8/373  
 D538,141 S 3/2007 Stenhouse et al.  
 D538,632 S 3/2007 Ly Hau et al.  
 D539,125 S 3/2007 Ly Hau et al.  
 D539,128 S 3/2007 Ly Hau et al.  
 D539,636 S 4/2007 Bremmon  
 D539,637 S \* 4/2007 Ly Hau et al. .... D8/373  
 D539,639 S 4/2007 Nagle  
 D540,154 S 4/2007 Bremmon  
 D545,604 S 7/2007 Eyman et al.  
 D546,103 S 7/2007 Eyman et al.  
 D549,232 S 8/2007 Li et al.  
 D549,636 S 8/2007 Dial  
 D553,125 S 10/2007 Ly Hau et al.  
 D553,483 S 10/2007 Grey  
 7,300,029 B2 11/2007 Petrick  
 D560,411 S 1/2008 Chung  
 D560,670 S 1/2008 Anderson et al.  
 D560,672 S 1/2008 Muday et al.  
 D561,562 S \* 2/2008 Wohlford et al. .... D8/373  
 D561,775 S 2/2008 Wohlford et al.  
 D563,416 S 3/2008 Bremmon  
 D563,962 S 3/2008 Grey  
 D565,054 S 3/2008 Anderson et al.  
 D565,399 S 4/2008 Grey  
 D566,444 S \* 4/2008 Grey ..... D6/553  
 D570,199 S 6/2008 Bremmon

D570,852 S 6/2008 Muday et al.  
 2002/0011544 A1 1/2002 Bosson  
 2003/0201372 A1 10/2003 Dozier  
 2004/0011932 A1 1/2004 Duff  
 2005/0152102 A1 7/2005 Shin  
 2005/0194498 A1 9/2005 Burns et al.  
 2007/0023593 A1 2/2007 Fedewa  
 2007/0193481 A1 8/2007 Wiebe et al.  
 2008/0054147 A1 3/2008 Muday et al.  
 2008/0156949 A1 7/2008 Sculler et al.

FOREIGN PATENT DOCUMENTS

KR 10-2007-0096626 A 10/2007  
 KR 10-2007-0120689 A 12/2007

OTHER PUBLICATIONS

U.S. Appl. No. 29/282,349, filed Jul. 17, 2007, Russell.  
 U.S. Appl. No. 29/299,833, filed Jan. 4, 2008, Bremmon et al.  
 U.S. Appl. No. 29/319,792, filed Jun. 15, 2008, Bremmon et al.  
 U.S. Appl. No. 29/319,787, filed Jun. 15, 2008, Bremmon et al.  
 Instruction Manual for Superior Mount, dated Feb. 1, 2007, 12 Pgs.  
 Chief Manufacturing, Inc., Full Line Catalog, Mounting Solutions  
 Product Guide, Copyright Jun. 2006, 122 Pgs.  
 Sanus Visionmount Catalog, Copyright Mar. 2007, 40 Pgs.  
 Chief Manufacturing, Inc., *Full-Line Product Guide 2004*, Jan. 2004,  
 pp. 1-64.  
 Chief Manufacturing, Inc., *The Focus: Presentation Support Solu-  
 tions*, Jan. 2003, pp. 1-80.  
 Chief Manufacturing, Inc., *The Focus: Presentation Support Solu-  
 tions*, Full Line Product Guide, Effective Apr. 2002, pp. 1-68.  
 PDM Mounts by PDR, A Division of David Engineering, *Panel  
 Display Pivot Mount*, pp. 4.  
 Fimco, *Wall Mount Kit for Plasma TV Screens*, Nov. 2003, pp. 12.  
 Peerless, *SmartMount™ Universal Tilt Wall Mount for 32" to 50"  
 Plasma and LCD Flat Panel Screens*, pp. 2.  
 Peerless, *SmartMount™ Universal Tilt Wall Mount for 61" to 102"  
 Plasma and LCD Flat Panel Screens*, 2006, pp. 2.  
 Peerless, *SmartMount™ Universal Tilt Wall Mount for 42" to 71"  
 Plasma and LCD Flat Panel Screens*, 2006, pp. 2.  
 Peerless, *SmartMount™ Universal Tilt Wall Mount for 32" to 60"  
 Plasma and LCD Flat Panel Screens*, 2006, pp. 2.  
 Peerless, *SmartMount™ Universal Tilt Wall Mount for 23" to 46"  
 LCD Flat Panel Screens*, 2006, pp. 2.  
 Peerless, *SmartMount™ Universal Flat Wall Mount for 61" to 102"  
 Plasma and LCD Flat Panel Screens*, 2006, pp. 2.  
 Peerless, *SmartMount™ Universal Flat Wall Mount for 42" to 71"  
 Plasma and LCD Flat Panel Screens*, 2006, pp. 2.  
 Peerless, *SmartMount™ Universal Flat Wall Mount for 32" to 60"  
 Plasma and LCD Flat Panel Screens*, 2006, pp. 2.  
 Peerless, *SmartMount™ Universal Flat Wall Mount for 23" to 46"  
 LCD Flat Panel Screens*, 2006, pp. 2.  
 Peerless, *SmartMount™ Universal Tilt Wall Mount for 22" to 49"  
 Screens*, Mar. 31, 2005, pp. 12.  
 Viewsonic, *Mount*, 2005, pp. 1.  
 Hitachi, *Mount*, 2005, pp. 1.  
 PAIR File History for U.S. Appl. No. 29/282,348, filed Jul. 17, 2007.  
 PAIR File History for U.S. Appl. No. 29/282,349, filed Jul. 17, 2007.  
 PAIR File History for U.S. Appl. No. 29/299,833, filed Jan. 4, 2008.  
 PAIR File History for U.S. Appl. No. 29/319,792, filed Jun. 15, 2008.  
 PAIR File History for U.S. Appl. No. 29/319,787, filed Jun. 15, 2008.  
 International Search Report for Application No. PCT/US2009/  
 030147, Mailed Mar. 23, 2009, 2 Pgs.

\* cited by examiner

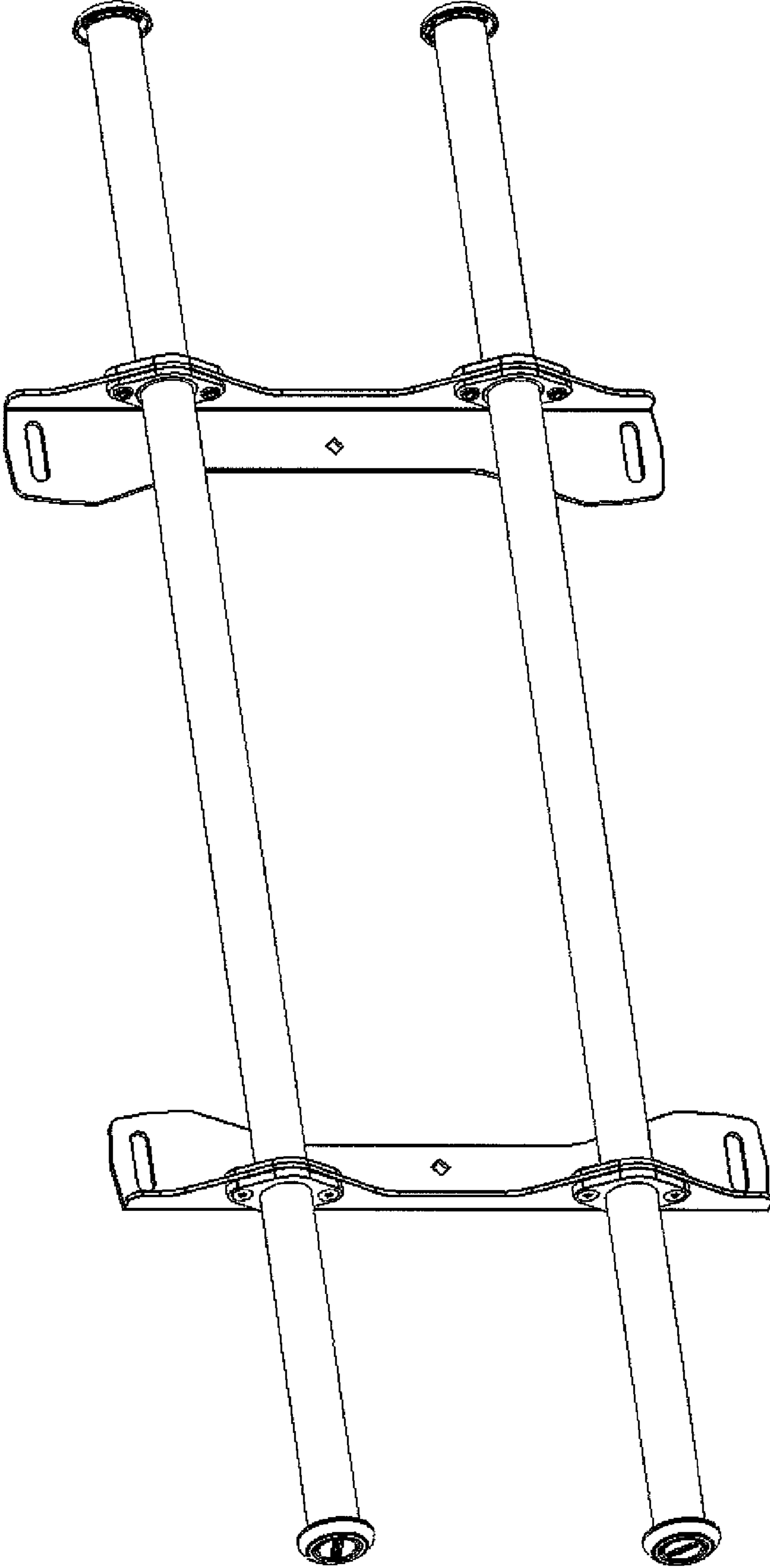


Fig. 1.

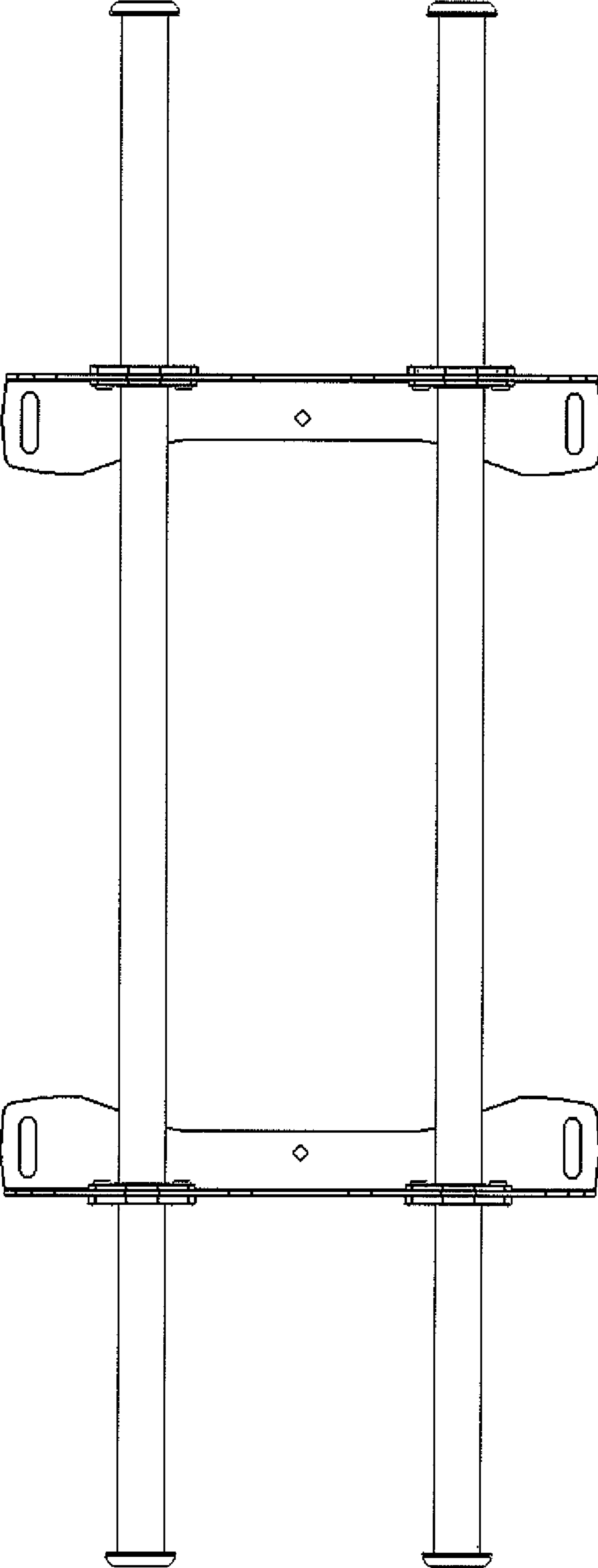


Fig. 2.

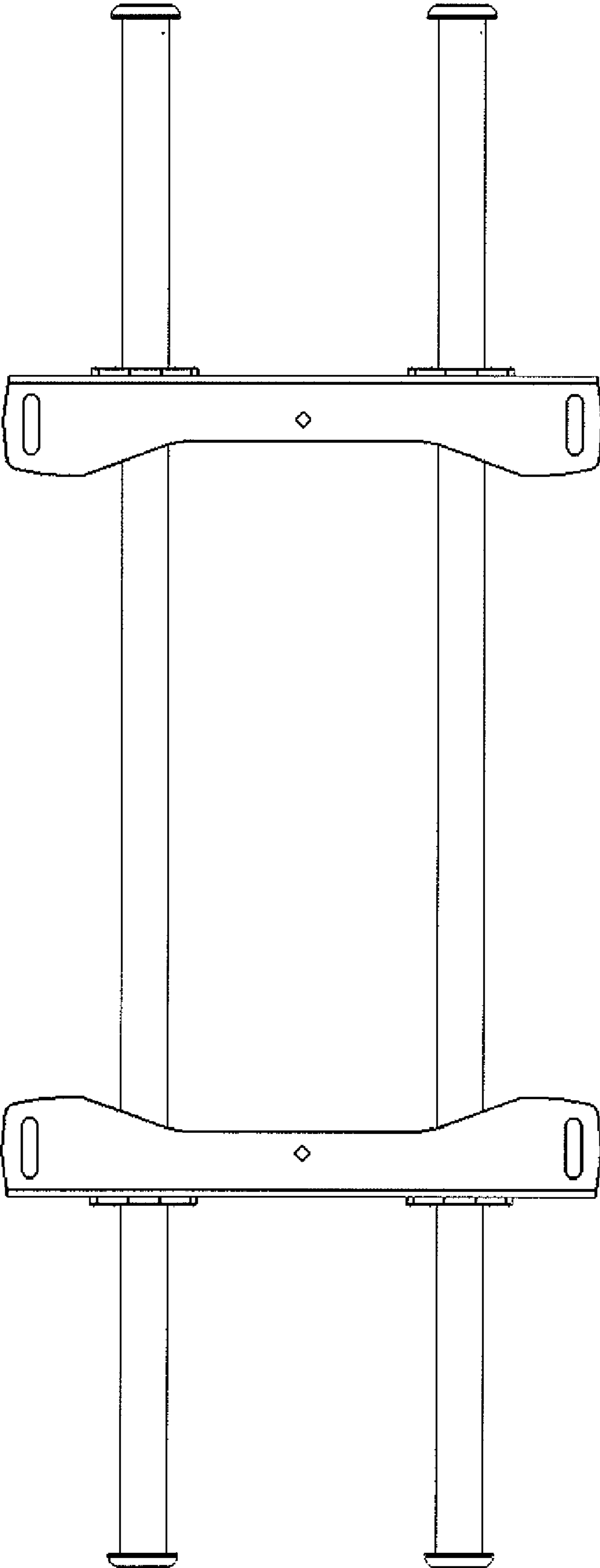


Fig. 3.

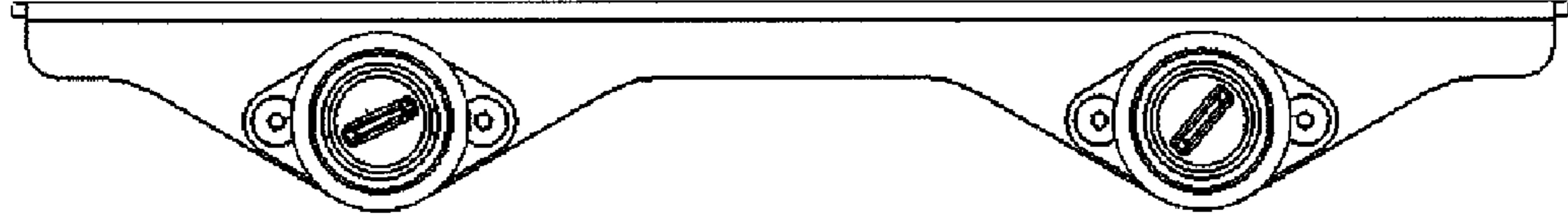


Fig. 5.

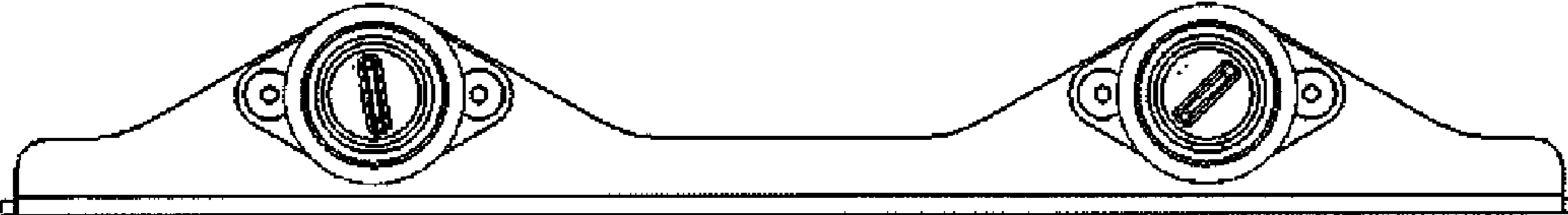


Fig. 4.

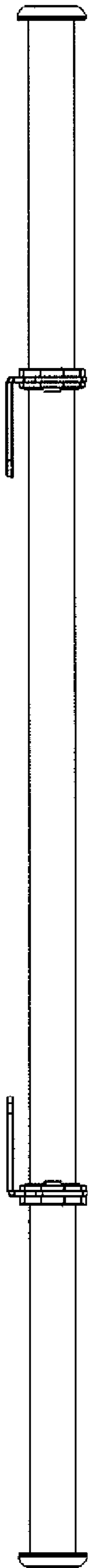


Fig. 6.

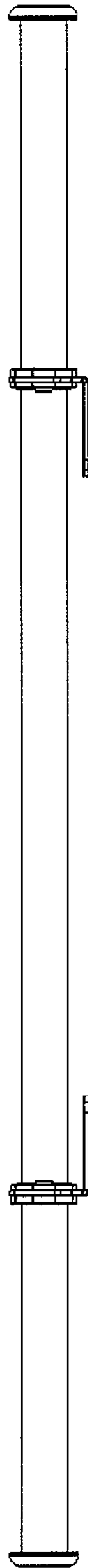


Fig. 7.