



US00D610436S

(12) **United States Design Patent**
Bremmon et al.

(10) **Patent No.:** **US D610,436 S**

(45) **Date of Patent:** **** Feb. 23, 2010**

(54) **WALL INTERFACE FOR DISPLAY MOUNT**

D538,140 S * 3/2007 Ly Hau et al. D8/373

(75) Inventors: **Jeff Bremmon**, Shakopee, MN (US);
Jamie Brandt, Shakopee, MN (US)

(Continued)

(73) Assignee: **Milestone AV Technologies LLC**,
Savage, MN (US)

OTHER PUBLICATIONS

(**) Term: **14 Years**

Mounts by PDR, a Division of David Engineering, *Panel Display Pivot Mount*, pp. 4.

(21) Appl. No.: **29/319,789**

(Continued)

(22) Filed: **Jun. 15, 2008**

Primary Examiner—Brian N Vinson

Related U.S. Application Data

(74) *Attorney, Agent, or Firm*—Patterson, Thunte, Skaar & Christensen, P.A.

(63) Continuation-in-part of application No. 29/299,837,
filed on Jan. 4, 2008, now abandoned.

(57) **CLAIM**

(51) **LOC (9) Cl.** **08-05**

The ornamental design for a wall interface for display mount,
as shown and described.

(52) **U.S. Cl.** **D8/373**

(58) **Field of Classification Search** D6/553,
D6/567, 569–571; 40/124.01, 124.2, 124.4,
40/124.5; 206/6.1; 211/13.1, 86.01, 87.01;
248/309.1, 314; D8/363, 373, 380
See application file for complete search history.

DESCRIPTION

(56) **References Cited**

FIG. 1 is a front perspective view of a wall interface for display mount according to the invention;

U.S. PATENT DOCUMENTS

FIG. 2 is a front elevation view of the wall interface for display mount depicted in FIG. 1;

6,102,348	A	8/2000	O'Neill	
6,752,363	B2	6/2004	Boele	
D493,800	S	8/2004	Pfister	
D494,596	S *	8/2004	Pfister D8/380
D494,978	S	8/2004	Pfister	
D495,713	S	9/2004	Pfister	
D495,714	S	9/2004	Pfister	
D496,367	S	9/2004	Pfister	
D497,537	S	10/2004	O'Keene et al.	
6,905,101	B1	6/2005	Dittmer	
D507,477	S	7/2005	Pfister	
6,923,413	B2	8/2005	Dozier	
7,028,961	B1	4/2006	Dittmer	
D528,901	S *	9/2006	David D8/373
D530,595	S	10/2006	Lam et al.	
D532,290	S	11/2006	David	
D533,483	S	12/2006	Simmons et al.	

FIG. 3 is a rear elevation view of the wall interface for display mount depicted in FIG. 1;

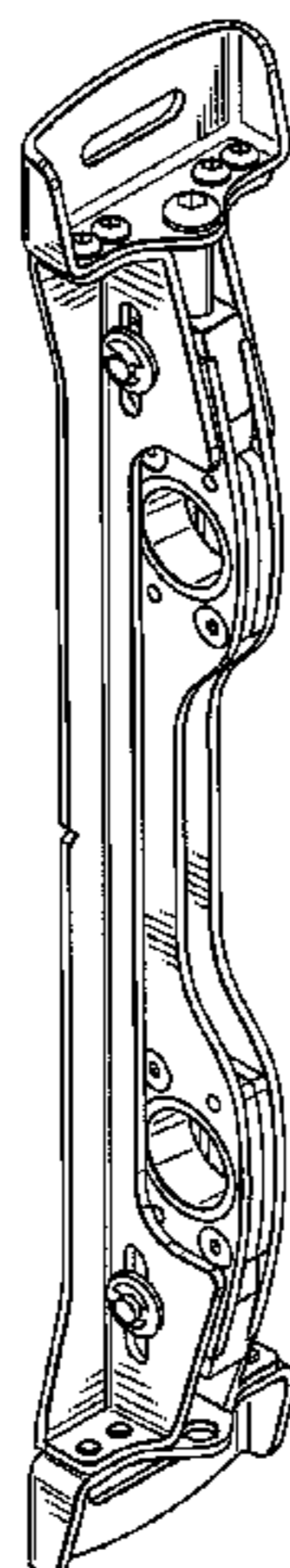
FIG. 4 is a side elevation view of the wall interface for display mount depicted in FIG. 1;

FIG. 5 is an opposing side elevation view of the wall interface for display mount depicted in FIG. 1;

FIG. 6 is a top plan view of the wall interface for display mount depicted in FIG. 1; and,

FIG. 7 is a bottom plan view of the wall interface for display mount depicted in FIG. 1.

1 Claim, 2 Drawing Sheets



U.S. PATENT DOCUMENTS

D539,125 S 3/2007 Ly Hau et al.
 D539,637 S * 4/2007 Ly Hau et al. D8/373
 7,300,029 B2 11/2007 Petrick et al.
 D559,658 S 1/2008 Wohlford
 D560,672 S 1/2008 Muday et al.
 D561,562 S * 2/2008 Wohlford et al. D8/373
 D561,775 S 2/2008 Wohlford et al.
 D563,962 S 3/2008 Grey
 D565,054 S 3/2008 Anderson et al.
 D565,388 S 4/2008 Concari
 D566,444 S * 4/2008 Grey D6/553
 2002/0033436 A1 3/2002 Peng et al.
 2005/0152102 A1 7/2005 Shin
 2005/0194489 A1 9/2005 Burns et al.
 2007/0158515 A1 7/2007 Dittmer
 2008/0054147 A1 3/2008 Muday et al.

OTHER PUBLICATIONS

Fimco, *Wall Mount Kit for Plasma TV Screens*, Nov. 2003, pp. 12.
 Peerless, *SmartMount™ Universal Tilt Wall Mount for 32" to 50" Plasma and LCD Flat Panel Screens*, 2006, pp. 2.

Peerless, *SmartMount™ Universal Tilt Wall Mount for 61" to 102" Plasma and LCD Flat Panel Screens*, 2006, pp. 2.
 Peerless, *SmartMount™ Universal Tilt Wall Mount for 42" to 71" Plasma and LCD Flat Panel Screens*, 2006, pp. 2.
 Peerless, *SmartMount™ Universal Tilt Wall Mount for 32" to 60" Plasma and LCD Flat Panel Screens*, 2006, pp. 2.
 Peerless, *SmartMount™ Universal Tilt Wall Mount for 23" to 46" LCD Flat Panel Screens*, 2006, pp. 2.
 Peerless, *SmartMount™ Universal Flat Wall Mount for 61" to 102" Plasma and LCD Flat Panel Screens*, 2006, pp. 2.
 Peerless, *SmartMount™ Universal Flat Wall Mount for 42" to 71" Plasma and LCD Flat Panel Screens*, 2006, pp. 2.
 Peerless, *SmartMount™ Universal Flat Wall Mount for 32" to 60" Plasma and LCD Flat Panel Screens*, 2006, pp. 2.
 Peerless, *SmartMount™ Universal Flat Wall Mount for 23" to 46" LCD Flat Panel Screens*, 2006, pp. 2.
 Peerless, *SmartMount™ Universal Tilt Wall Mount for 22" to 49" Screens*, Mar. 31, 2005, pp. 12.
 Viewsonic, *Mount*, 2005, pp. 1.
 Hitachi, *Mount*, 2005, pp. 1.
 Instruction Manual for Superior Mount, dated Feb. 1, 2007, pp. 12.

* cited by examiner

Fig. 1

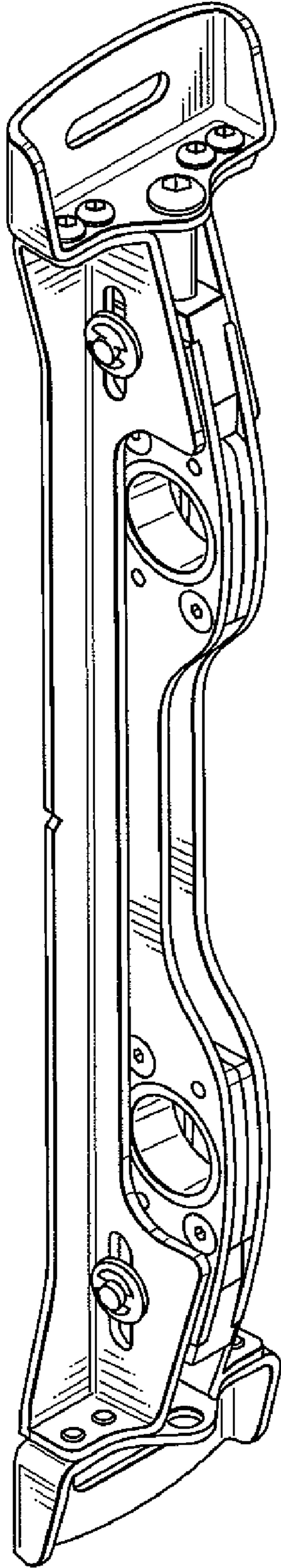


Fig. 2

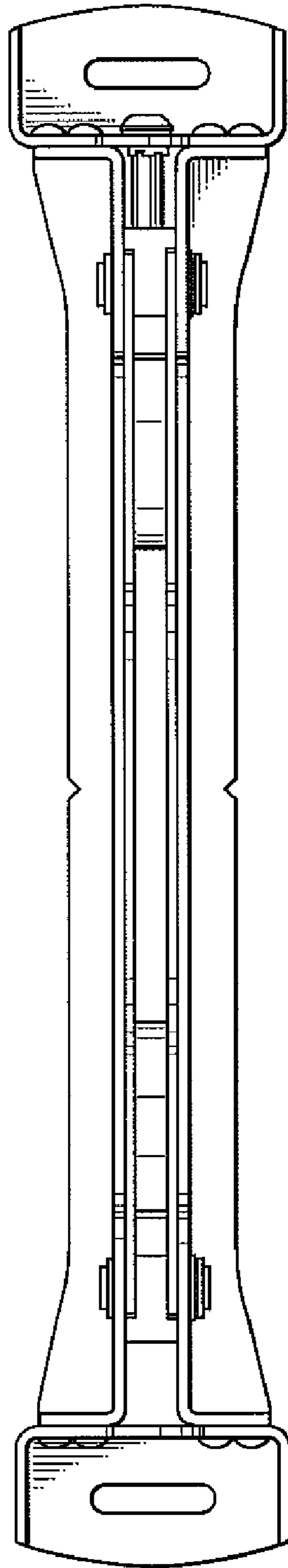


Fig. 3

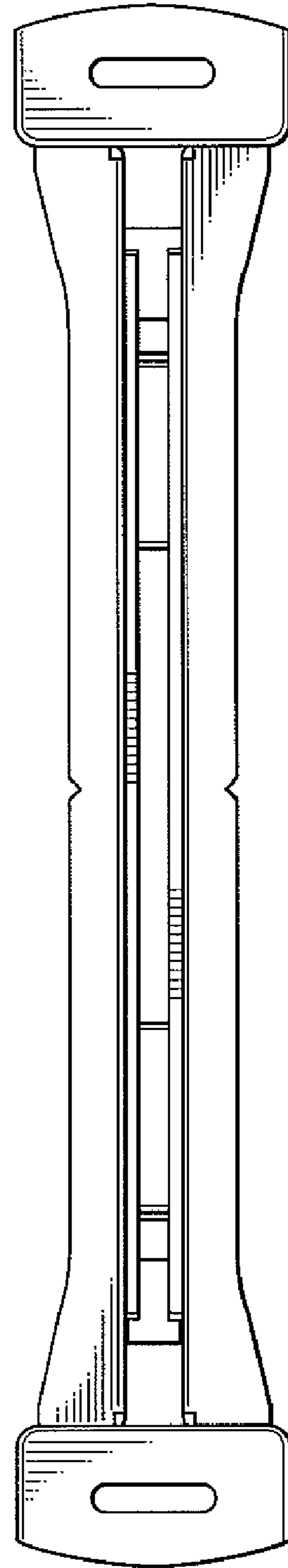


Fig. 4

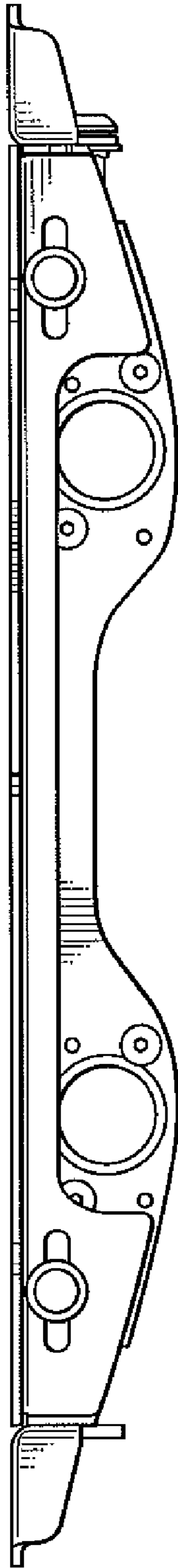


Fig. 5

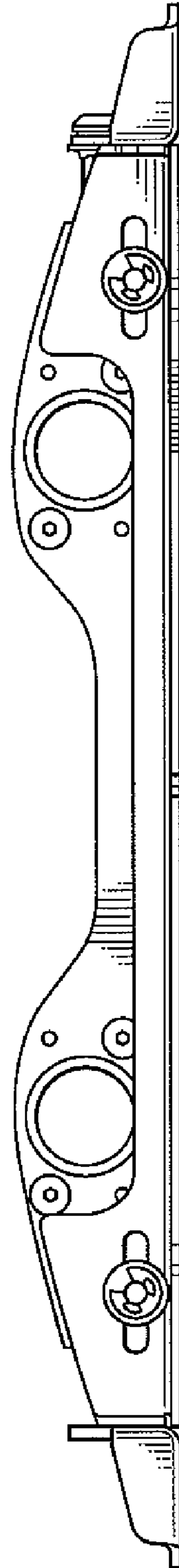


Fig. 6

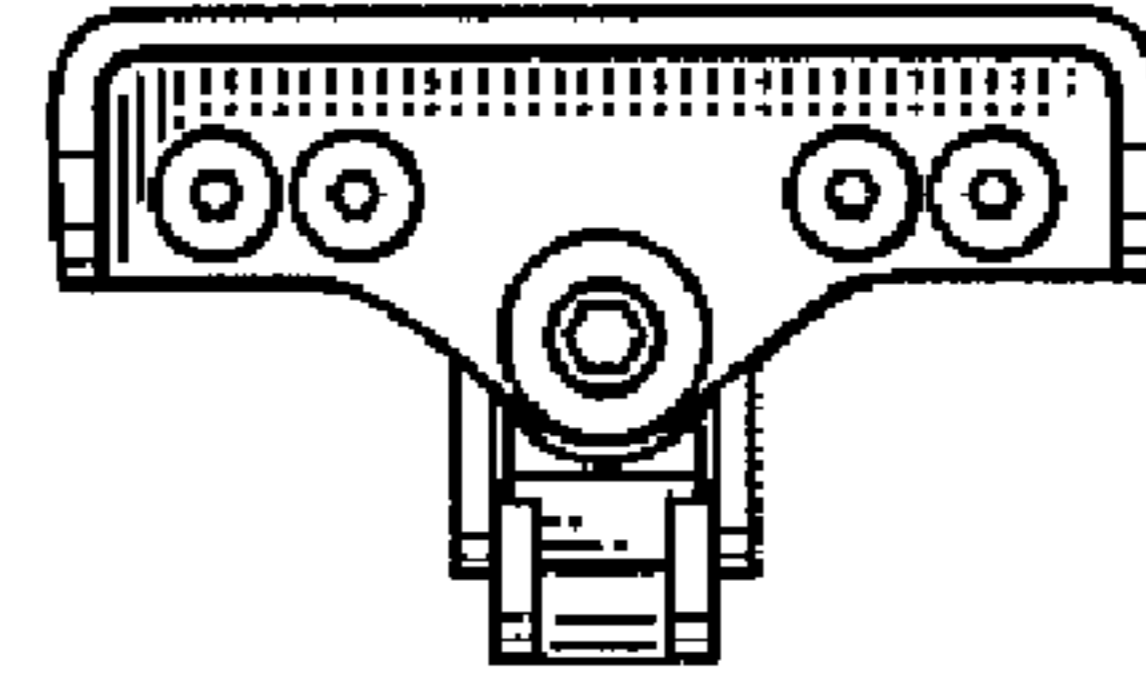


Fig. 7

