



US00D610434S

(12) **United States Design Patent**
Watts et al.

(10) **Patent No.:** **US D610,434 S**
(45) **Date of Patent:** **** Feb. 23, 2010**

(54) **ENGAGING BRACKET**
(75) Inventors: **Jesse Travis Watts**, Brunswick, GA (US); **Timothy J. Anthony**, Conyers, GA (US)
(73) Assignee: **The Southern Company**, Atlanta, GA (US)
(**) Term: **14 Years**
(21) Appl. No.: **29/344,550**

5,137,113 A 8/1992 Lortie
5,141,074 A 8/1992 Sulowski et al.
5,184,696 A 2/1993 Meed et al.
5,234,074 A 8/1993 Bell
5,279,386 A 1/1994 Cearley
5,293,657 A 3/1994 DeAth
5,341,896 A 8/1994 Amacker
5,487,444 A 1/1996 Dennington
5,785,146 A 7/1998 Palmer
5,934,410 A 8/1999 Mahr
6,016,891 A 1/2000 Sava
6,032,758 A 3/2000 May

(22) Filed: **Sep. 30, 2009**

(Continued)

(51) **LOC (9) Cl.** **08-07**
(52) **U.S. Cl.** **D8/349**
(58) **Field of Classification Search** D8/349,
D8/356, 395, 380; 248/68.1, 74.1, 74.2-74.4,
248/300, 200-201, 205.1
See application file for complete search history.

FOREIGN PATENT DOCUMENTS

DE 3632537 4/1988

Primary Examiner—Elizabeth A Albert
Assistant Examiner—Kelley A Donnelly
(74) *Attorney, Agent, or Firm*—Seyed Kaveh E. Rashidi-Yazd, Esq.; Ryan A. Schneider, Esq.; Troutman Sanders LLP

(56) **References Cited**

U.S. PATENT DOCUMENTS

1,120,496 A 12/1914 Holsclaw
1,504,030 A 8/1924 Dettweiler
1,721,516 A 7/1929 Jacobs
1,802,288 A 4/1931 Strauss
1,851,080 A 3/1932 Becker
2,175,571 A 10/1939 Rose et al.
2,601,589 A 6/1952 Childers, Sr.
2,920,714 A 1/1960 Johnson
3,407,898 A 10/1968 Johnson
3,840,091 A 10/1974 Conlon
4,506,762 A 3/1985 Bednar
4,527,660 A 7/1985 Andruchiw
4,545,460 A 10/1985 Byrd
4,579,196 A 4/1986 Allen et al.
4,595,078 A 6/1986 Greenway
4,687,074 A 8/1987 Green
4,712,646 A 12/1987 Page
4,714,135 A 12/1987 Bell et al.
4,747,468 A 5/1988 Greenway
4,991,689 A 2/1991 Cole
5,050,704 A 9/1991 Olsson
5,052,514 A 10/1991 Rezmer

(57) **CLAIM**

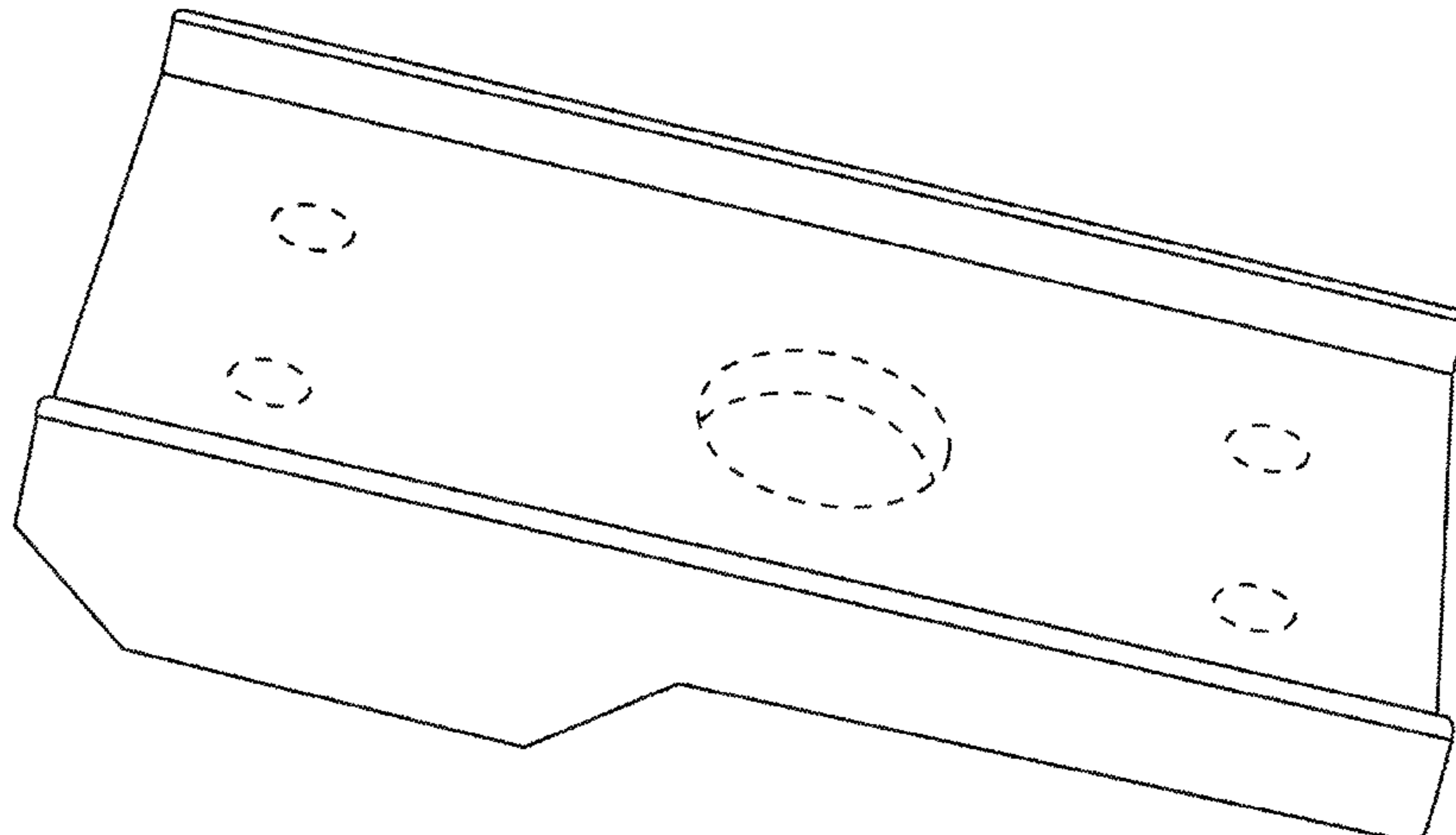
The ornamental design for an engaging bracket, as shown and described.

DESCRIPTION

FIG. 1 is a perspective, side view of an engaging bracket;
FIG. 2 is a top view thereof;
FIG. 3 is a bottom view thereof;
FIG. 4 is a side view thereof;
FIG. 5 is another side view thereof;
FIG. 6 is a front view thereof; and,
FIG. 7 is a rear view thereof.

The broken, dashed lines shown in the various figures depicting embodiments of the invention are included for the purpose of illustrating environment and do not form any part of the claimed design.

1 Claim, 7 Drawing Sheets



US D610,434 S

Page 2

U.S. PATENT DOCUMENTS

6,158,548	A	12/2000	May	7,051,836	B2	5/2006	Green	
6,206,138	B1	3/2001	Yerger	7,063,185	B2	6/2006	Green	
6,223,854	B1	5/2001	Nolz	7,100,738	B1	9/2006	Diggle, III et al.	
6,357,547	B1	3/2002	Kellog et al.	7,103,943	B2	9/2006	Lambert	
6,644,438	B1	11/2003	Chang et al.	D553,801	S	10/2007	Palasini	
6,648,101	B2	11/2003	Kurtgis	2004/0113034	A1*	6/2004	Chen et al.	248/300
6,698,544	B2	3/2004	Kurtgis	2004/0182644	A1	9/2004	Kotarski	
6,752,242	B1	6/2004	Whitehead et al.	2004/0200666	A1	10/2004	Diggle et al.	
6,883,640	B2	4/2005	Kurtgis	2005/0230184	A1	10/2005	Ansaldo	
6,959,784	B2	11/2005	Diggle et al.	2006/0169534	A1	8/2006	Green	
6,962,232	B2	11/2005	Diggle et al.	2008/0060872	A1	3/2008	Wise	
6,973,995	B1	12/2005	Diggle, III et al.	2008/0156583	A1	7/2008	Meeks	
6,981,571	B2	1/2006	Diggle	2008/0245610	A1	10/2008	Lee	
7,036,628	B2	5/2006	Wilcox et al.	2008/0289903	A1	11/2008	Kuhnert	
				2009/0173036	A1*	7/2009	Hand	52/715

* cited by examiner

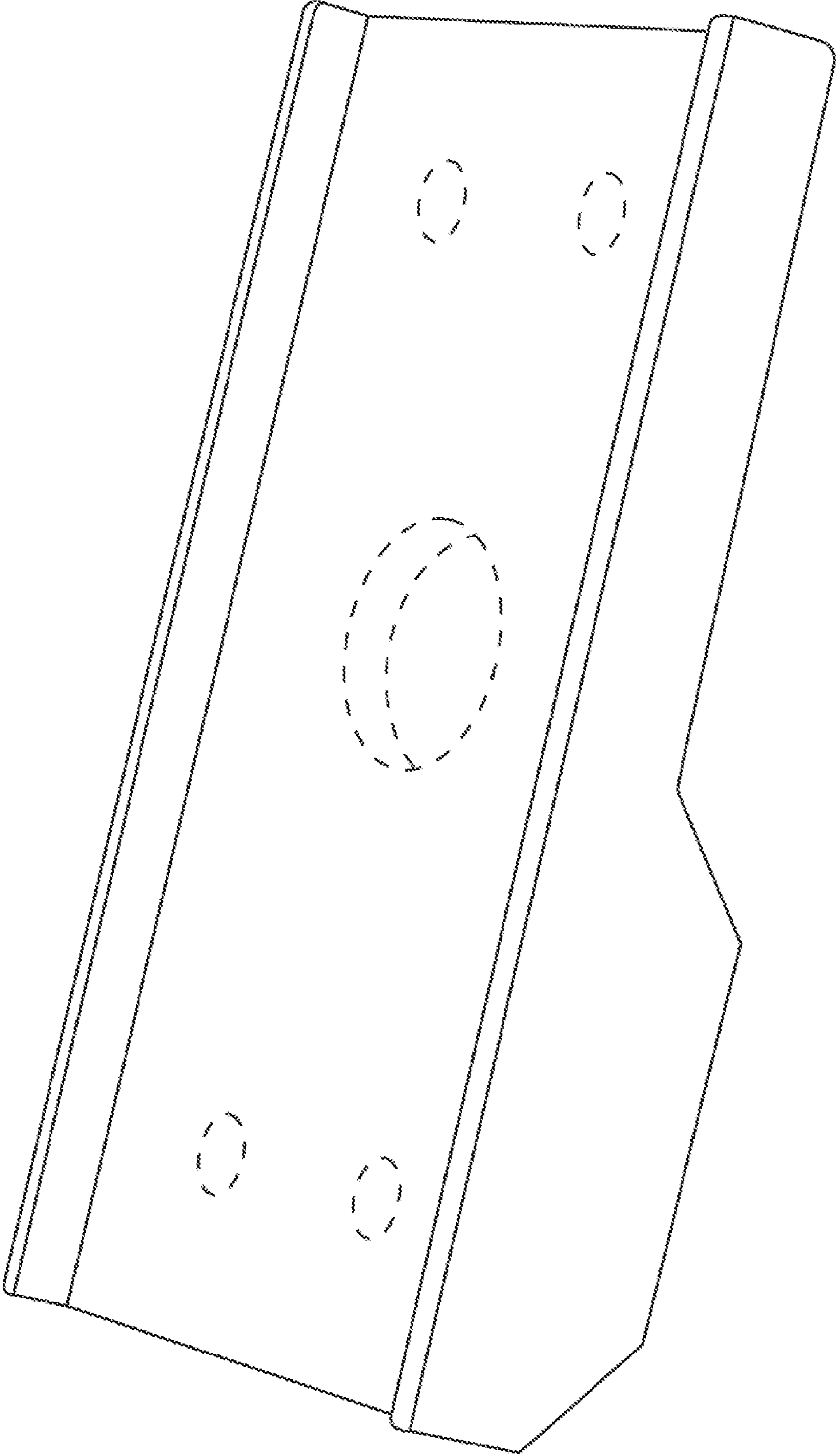


Fig. 1

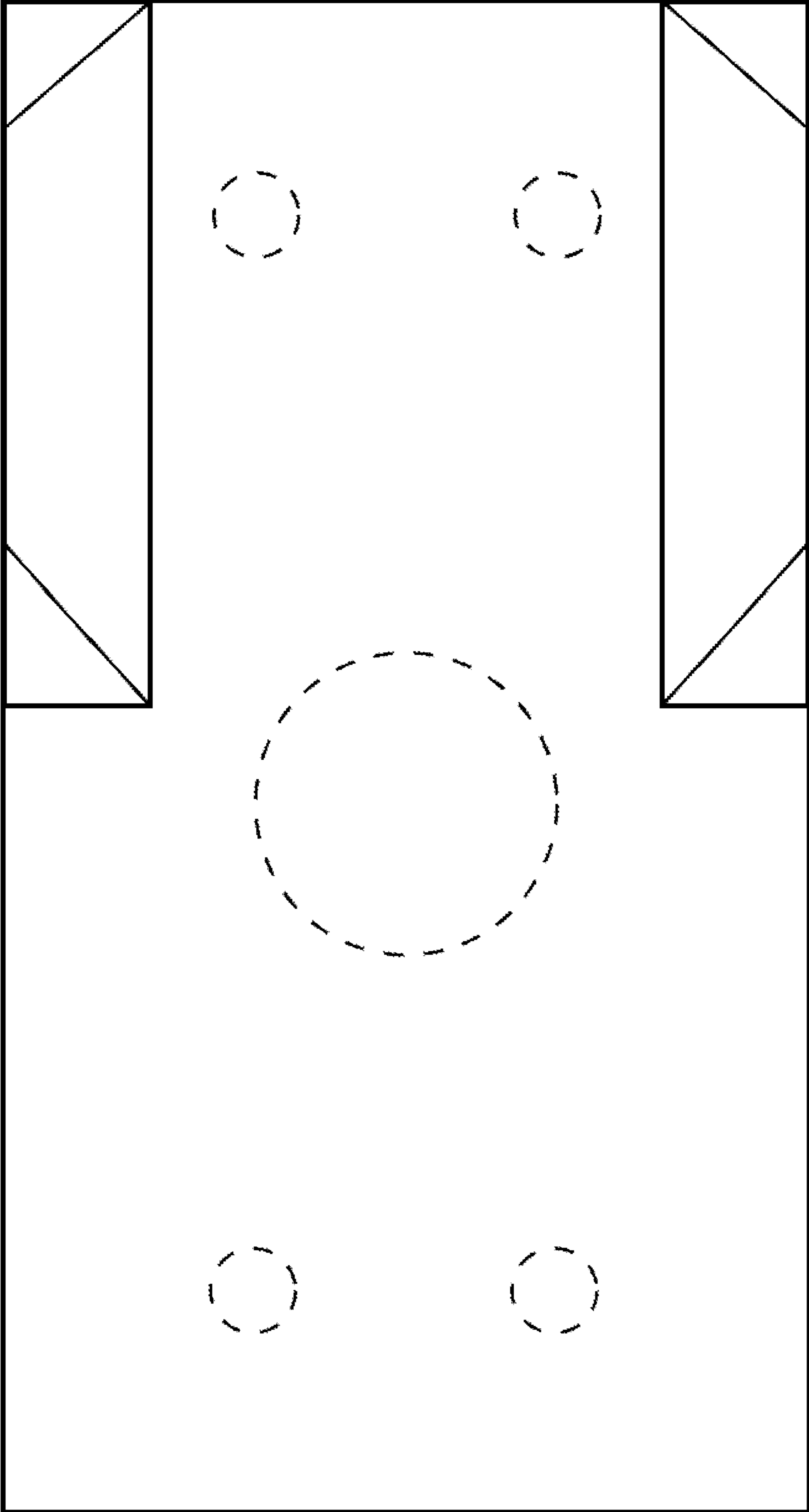


Fig. 2

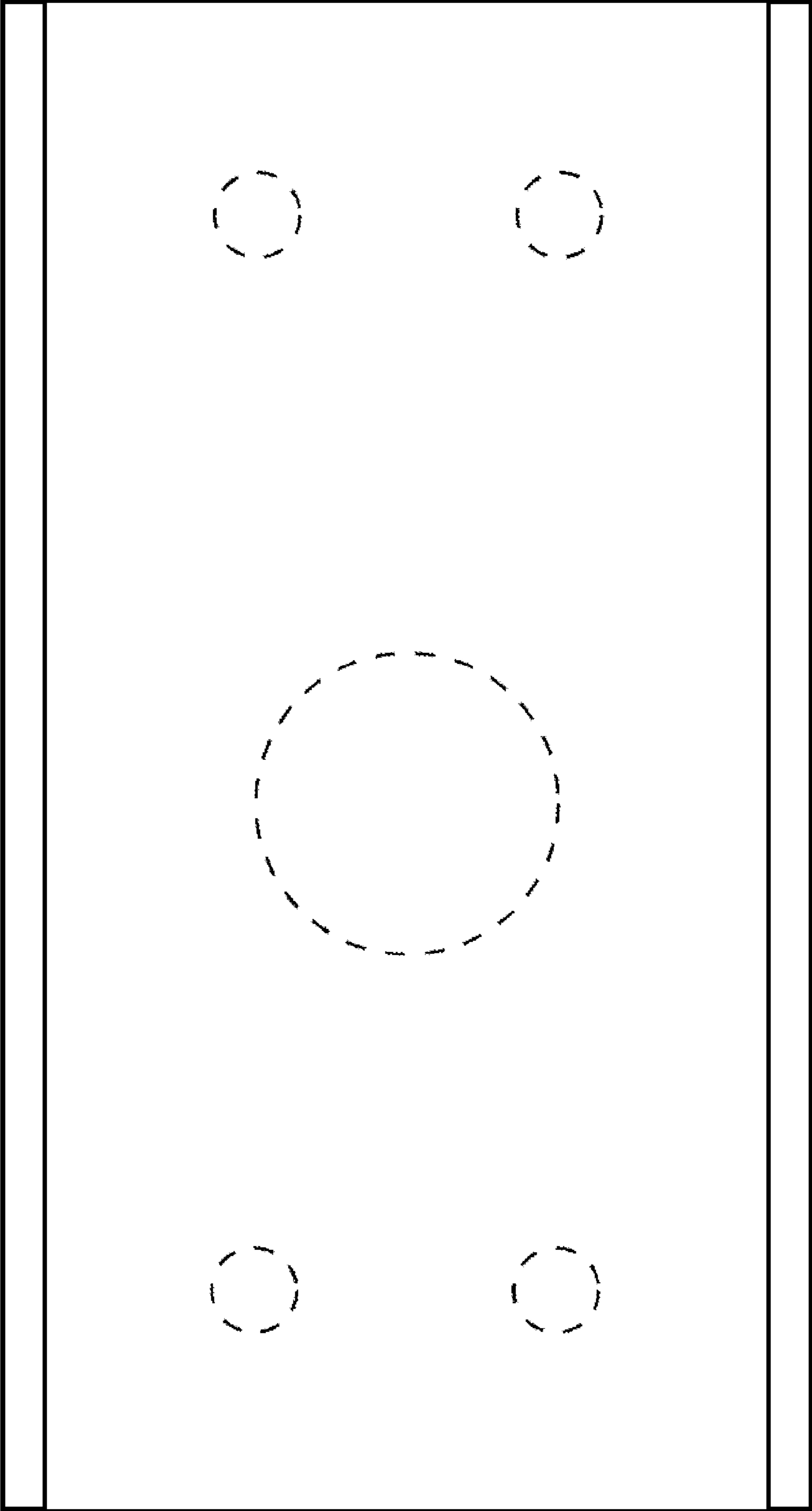


Fig. 3

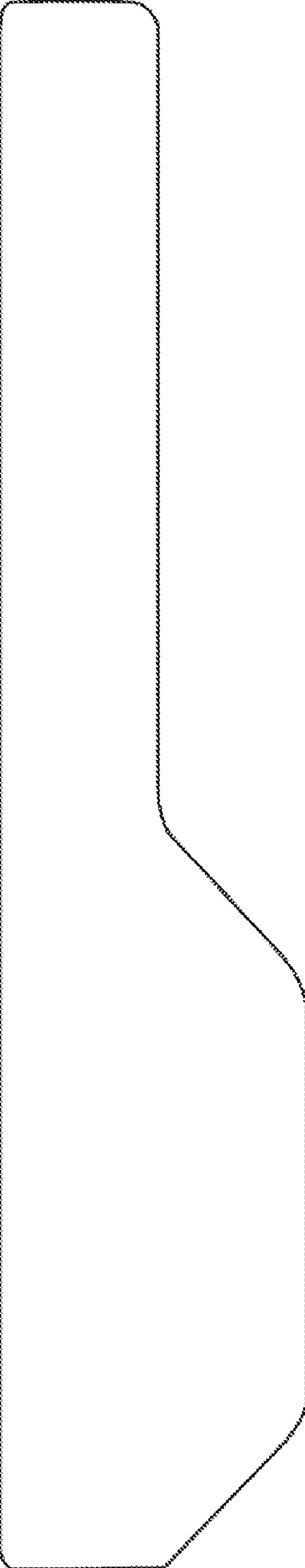


Fig. 4

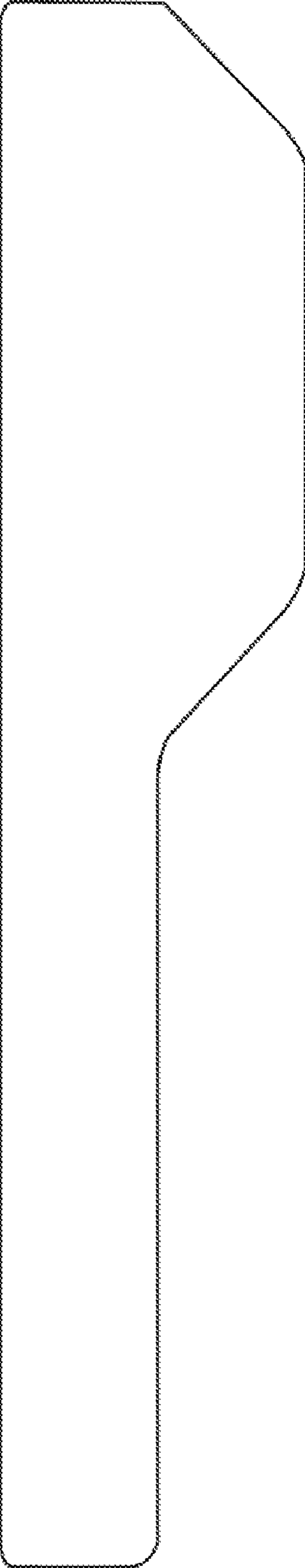


Fig. 5

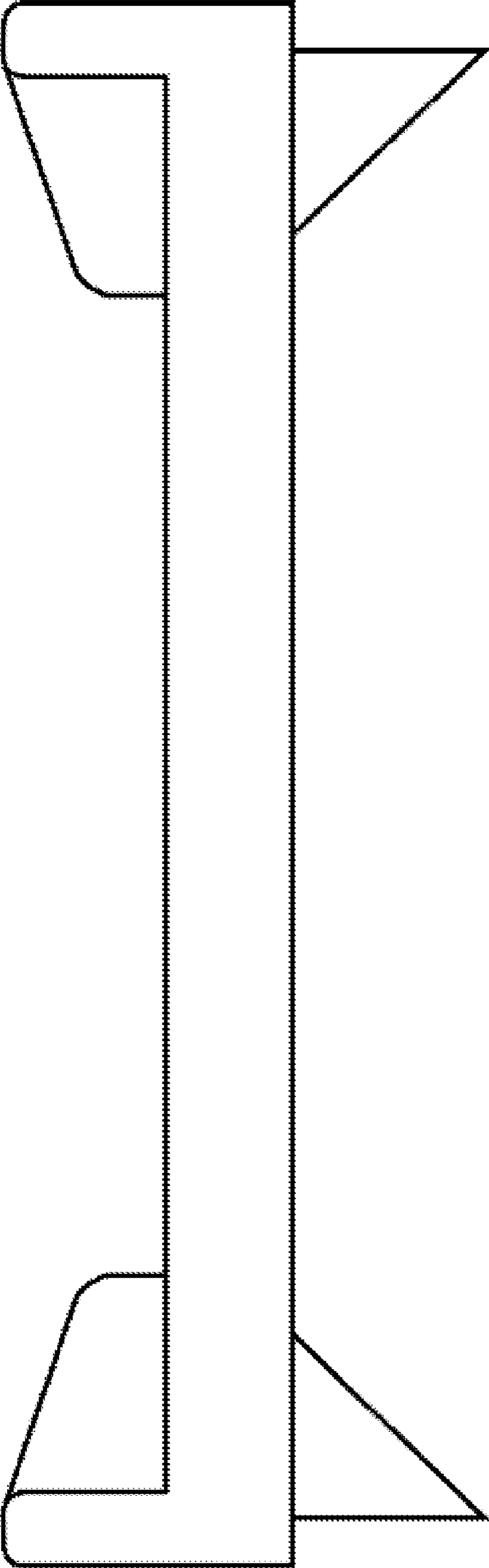


Fig. 6

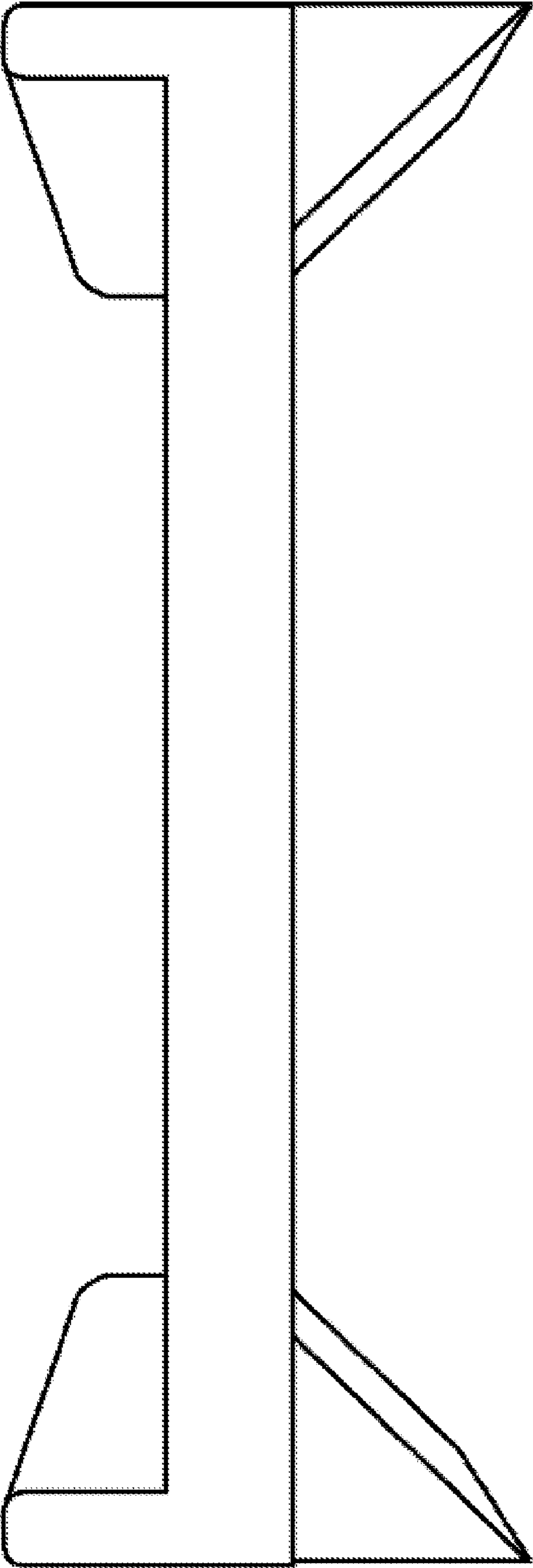


Fig. 7