



US00D610430S

(12) **United States Design Patent**
Fritz et al.

(10) **Patent No.:** **US D610,430 S**
(45) **Date of Patent:** **** Feb. 23, 2010**

(54) **STEM FOR A POWER TOOL ATTACHMENT**

D289,405 S * 4/1987 Nystrom D15/140
4,734,104 A 3/1988 Broberg
4,737,163 A 4/1988 Larkey
4,744,802 A 5/1988 Schwabel
4,751,138 A 6/1988 Tumey et al.

(75) Inventors: **Peter J. Fritz**, Minneapolis, MN (US);
Nathan A. Abel, Minneapolis, MN (US);
Matthew D. Chaffee, White Bear Lake,
MN (US); **Michael J. Annen**, Hudson,
WI (US); **Peter A. Felipe, Sr.**, St. Paul,
MN (US); **Adam M. Spah**, Blaine, MN
(US); **Wesley A. Raider**, Hudson, WI
(US)

(Continued)

FOREIGN PATENT DOCUMENTS

EP 0306161 3/1989

(Continued)

(73) Assignee: **3M Innovative Properties Company**,
St. Paul, MN (US)

OTHER PUBLICATIONS

(**) Term: **14 Years**

U.S. Appl. No. 29/338,778, entitled "Small, Portable Power Tool,"
filed Jun. 18, 2009.

(21) Appl. No.: **29/338,780**

(Continued)

(22) Filed: **Jun. 18, 2009**

Primary Examiner—Antoine D Davis

(51) **LOC (9) Cl.** **08-05**

(74) *Attorney, Agent, or Firm*—Steven E. Skolnick

(52) **U.S. Cl.** **D8/70**; D15/139

(58) **Field of Classification Search** D8/61–71;
D15/127, 138–139; 74/606 R, 607; 144/134.2,
144/135.2, 137, 221, 228, 253.2; 407/20–30,
407/11, 53, 54, 61, 63, 114; 409/231, 182;
173/217

(57) **CLAIM**

The ornamental design for a stem for a power tool attachment,
as shown and described.

See application file for complete search history.

DESCRIPTION

(56) **References Cited**

U.S. PATENT DOCUMENTS

2,350,098 A 5/1944 Decker
2,794,303 A 6/1957 Wickes
2,958,166 A 11/1960 Foland
3,041,156 A 6/1962 Rowse
3,270,467 A 9/1966 Block et al.
3,418,675 A 12/1968 Meguiar et al.
3,562,968 A 2/1971 Johnson et al.
3,667,170 A 6/1972 Mackay, Jr.
4,285,618 A * 8/1981 Shanley, Jr. 407/54
4,313,506 A * 2/1982 O'Connell 175/420.1
4,314,827 A 2/1982 Leitheiser et al.
4,348,000 A * 9/1982 Hanner 248/230.9
4,588,419 A 5/1986 Caul et al.
4,623,364 A 11/1986 Cottringer et al.

FIG. 1 is a perspective view of a power tool attachment
showing the new design for a stem for a power tool attach-
ment;

FIG. 2 is a right side view thereof;

FIG. 3 is a front view thereof;

FIG. 4 is a left side view thereof;

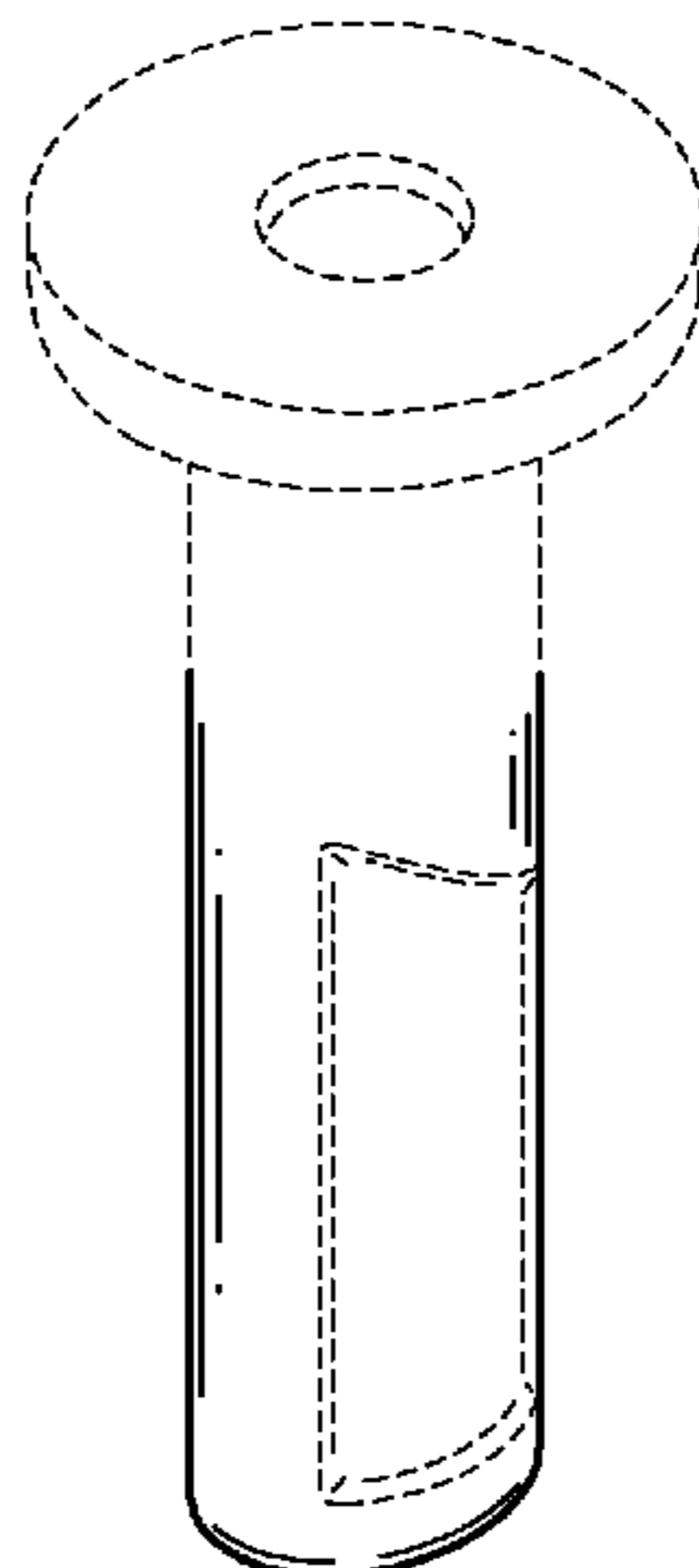
FIG. 5 is a back view thereof;

FIG. 6 is a bottom view thereof; and,

FIG. 7 is a top view thereof.

The broken line showing of structural features is included for
the purpose of illustrating non-claimed subject matter and
forms no part of the claimed design.

1 Claim, 2 Drawing Sheets



US D610,430 S

Page 2

U.S. PATENT DOCUMENTS

4,770,671 A	9/1988	Monroe et al.	5,846,123 A	12/1998	Brown et al.
D303,118 S *	8/1989	Cox D15/139	5,851,247 A	12/1998	Stoetzel et al.
4,854,085 A	8/1989	Huber	5,910,471 A	6/1999	Christianson et al.
4,881,951 A	11/1989	Wood et al.	5,913,716 A	6/1999	Mucci et al.
4,927,431 A	5/1990	Buchanan et al.	5,919,085 A	7/1999	Izumisawa
4,962,562 A	10/1990	Englund et al.	5,942,015 A	8/1999	Culler et al.
4,985,340 A	1/1991	Palazzotto et al.	5,954,844 A	9/1999	Law et al.
4,997,461 A	3/1991	Markhoff-Matheny et al.	5,957,633 A *	9/1999	Hall 408/187
5,009,675 A	4/1991	Kunz et al.	5,958,794 A	9/1999	Bruxvoort et al.
5,011,508 A	4/1991	Wald et al.	5,961,674 A	10/1999	Gagliardi et al.
5,014,468 A	5/1991	Ravipati et al.	5,962,120 A	10/1999	Keipert
5,042,991 A	8/1991	Kunz et al.	5,975,988 A	11/1999	Christianson
5,054,149 A	10/1991	Si-Hoe et al.	5,994,450 A	11/1999	Pearce
5,078,753 A	1/1992	Broberg et al.	6,013,711 A	1/2000	Lewis et al.
5,085,671 A	2/1992	Martin et al.	6,059,850 A	5/2000	Lise et al.
5,123,216 A	6/1992	Kloss et al.	6,077,601 A	6/2000	DeVoe et al.
5,152,917 A	10/1992	Pieper et al.	6,099,397 A	8/2000	Wurst
5,203,884 A	4/1993	Buchanan et al.	6,139,594 A	10/2000	Kincaid et al.
5,209,022 A	5/1993	McCambridge	6,228,133 B1	5/2001	Thurber et al.
5,213,591 A	5/1993	Celikkaya et al.	6,261,682 B1	7/2001	Law
5,292,352 A	3/1994	Rudolf et al.	6,277,160 B1	8/2001	Stubbs et al.
5,304,223 A	4/1994	Pieper et al.	6,306,023 B1	10/2001	Gmeilbauer
5,311,633 A	5/1994	Herzog et al.	D469,113 S *	1/2003	Mason D15/138
5,366,523 A	11/1994	Rowenhorst et al.	6,797,765 B2	9/2004	Pearce
5,378,251 A	1/1995	Culler et al.	6,846,232 B2	1/2005	Braunschweig et al.
5,396,737 A	3/1995	Englund et al.	6,908,979 B2	6/2005	Arendoski
5,417,726 A	5/1995	Stout et al.	6,923,840 B2	8/2005	Schutz et al.
5,435,816 A	7/1995	Spurgeon et al.	6,929,539 B2	8/2005	Schutz et al.
5,436,063 A	7/1995	Follett et al.	2001/0041511 A1	11/2001	Lack et al.
5,454,844 A	10/1995	Hibbard et al.	2002/0020566 A1 *	2/2002	Hauptmann et al. 175/415
5,482,499 A	1/1996	Satoh	2003/0022604 A1	1/2003	Annen et al.
5,490,878 A	2/1996	Peterson et al.	2003/0143938 A1	7/2003	Braunschweig et al.
5,496,386 A	3/1996	Broberg et al.	2003/0207659 A1	11/2003	Annen et al.
5,520,711 A	5/1996	Helmin	2005/0020190 A1	1/2005	Schutz et al.
5,520,957 A	5/1996	Bange et al.	2006/0051172 A1 *	3/2006	Johnson et al. 408/224
5,549,962 A	8/1996	Holmes et al.	2008/0233845 A1	9/2008	Annen et al.
5,609,706 A	3/1997	Benedict et al.	2009/0214309 A1 *	8/2009	Rees et al. 408/144
5,637,034 A	6/1997	Everts et al.			
5,672,097 A	9/1997	Hoopman			
5,672,186 A	9/1997	Chesley et al.			
5,681,213 A	10/1997	Hashii			
5,681,217 A	10/1997	Hoopman et al.			
5,700,302 A	12/1997	Stoetzel et al.			
5,766,277 A	6/1998	DeVoe et al.			
5,822,821 A	10/1998	Sham			

FOREIGN PATENT DOCUMENTS

EP 0306162 3/1989

OTHER PUBLICATIONS

U.S. Appl. No. 12/051,949, entitled "Methods of Removing Defects in Surfaces," filed Mar. 20, 2008.

* cited by examiner

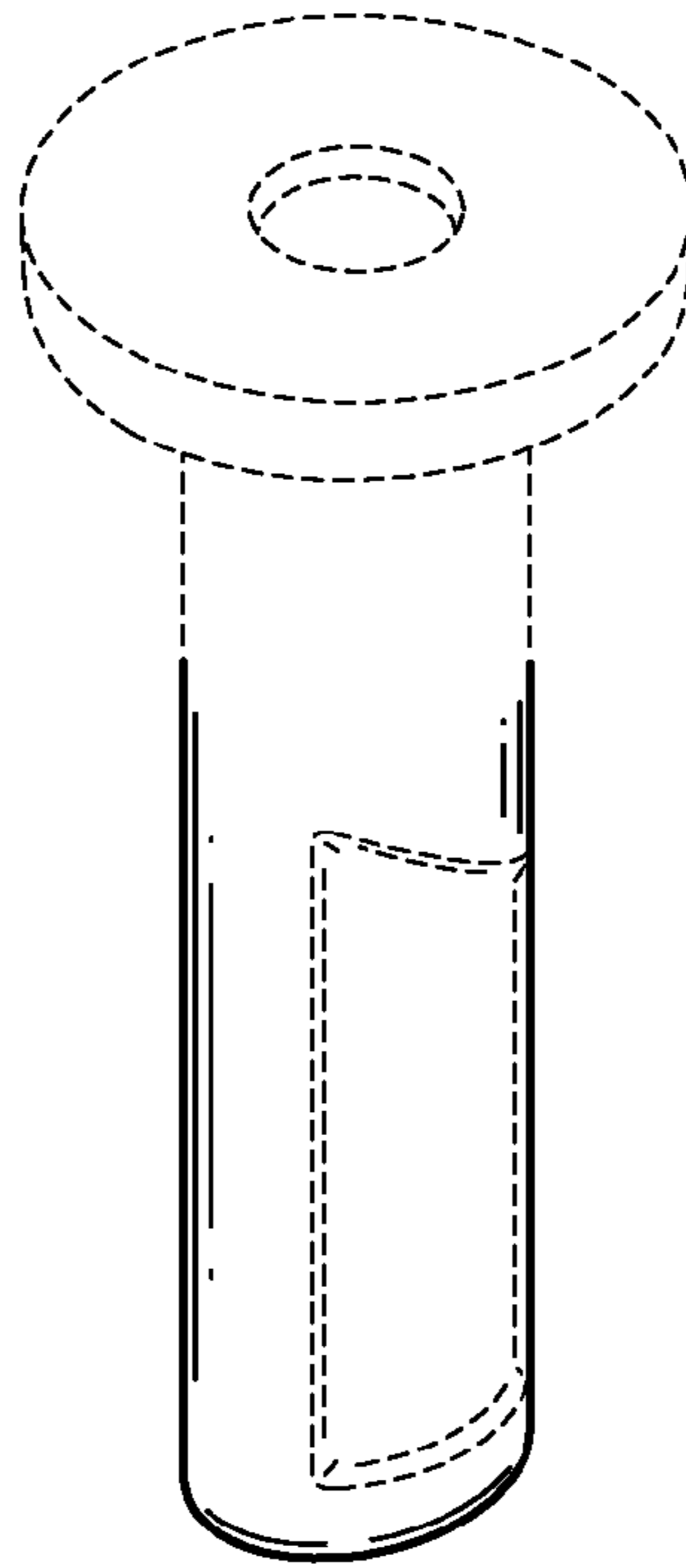


FIG. 1

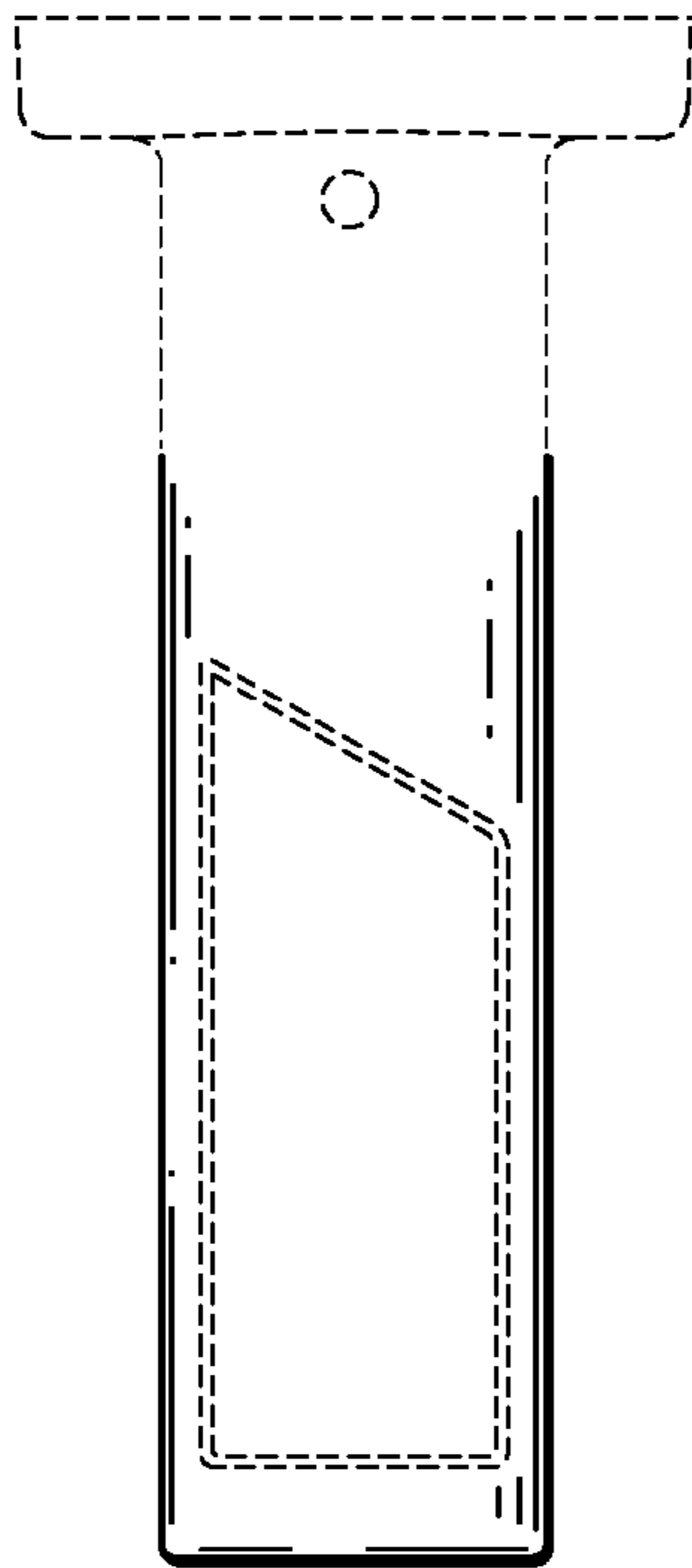


FIG. 2

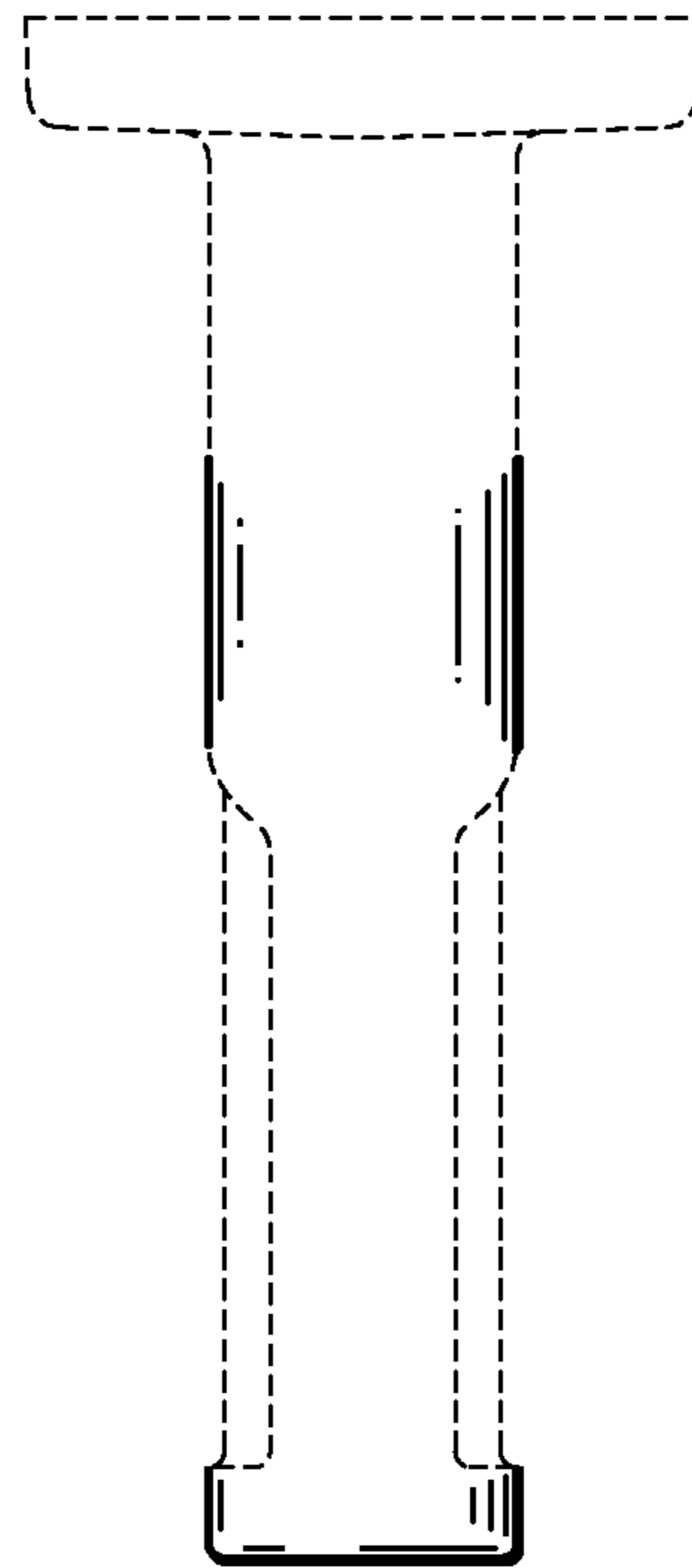


FIG. 3

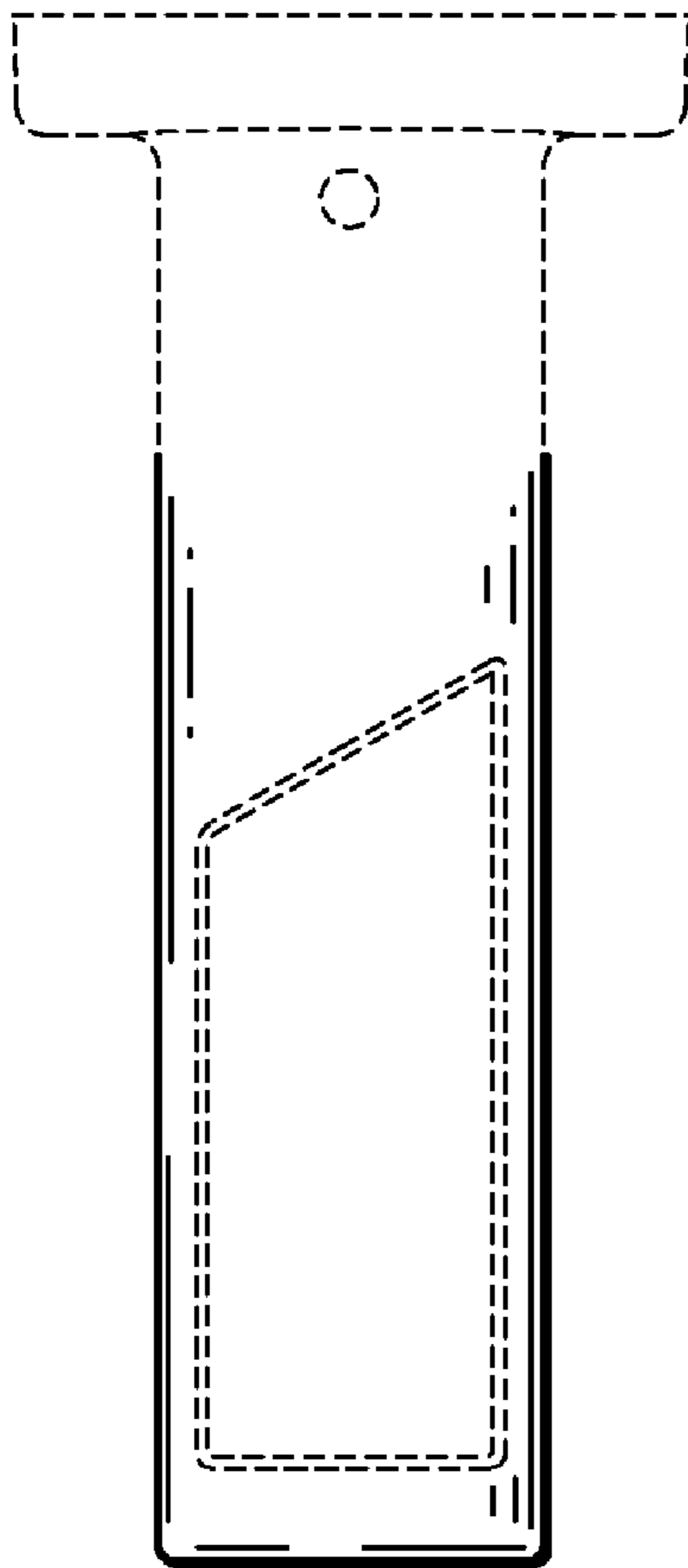


FIG. 4

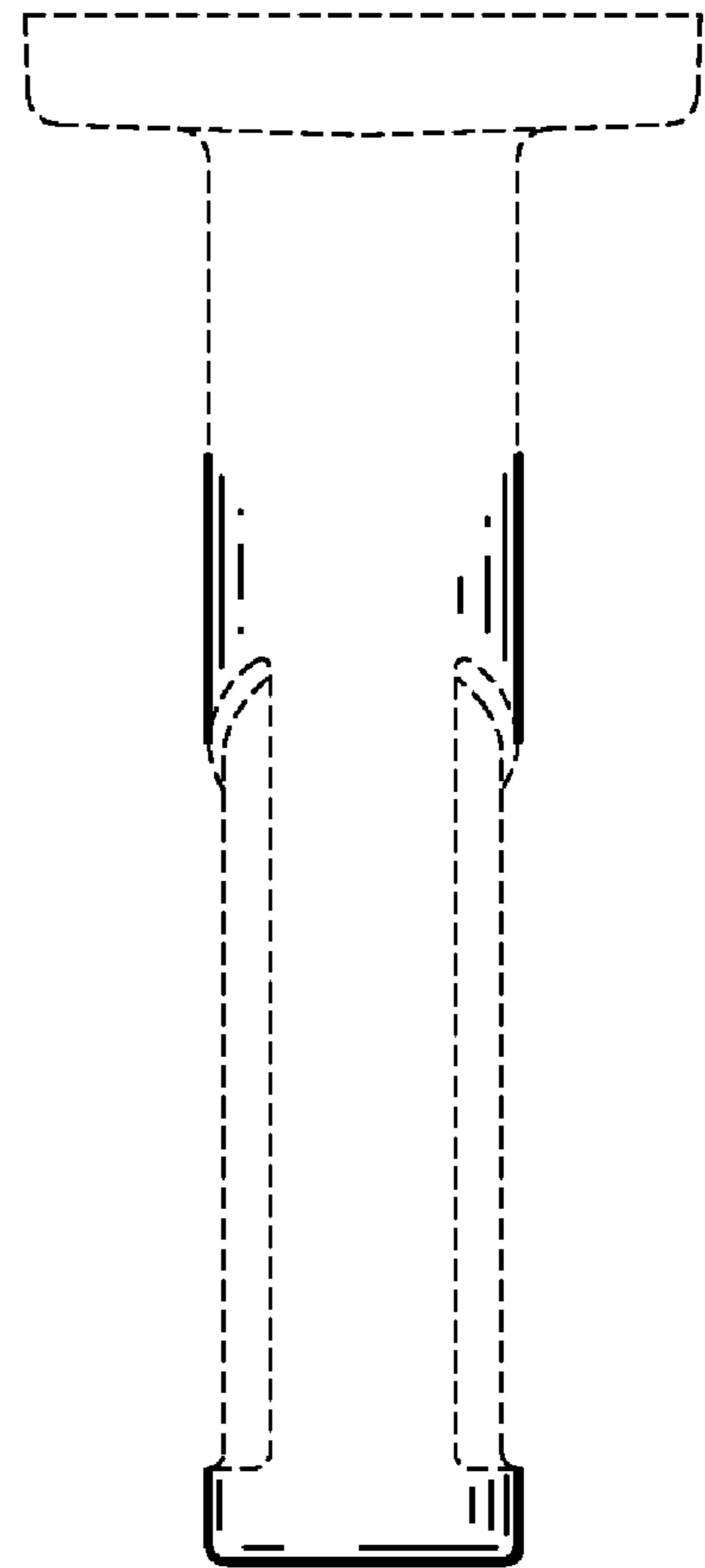


FIG. 5

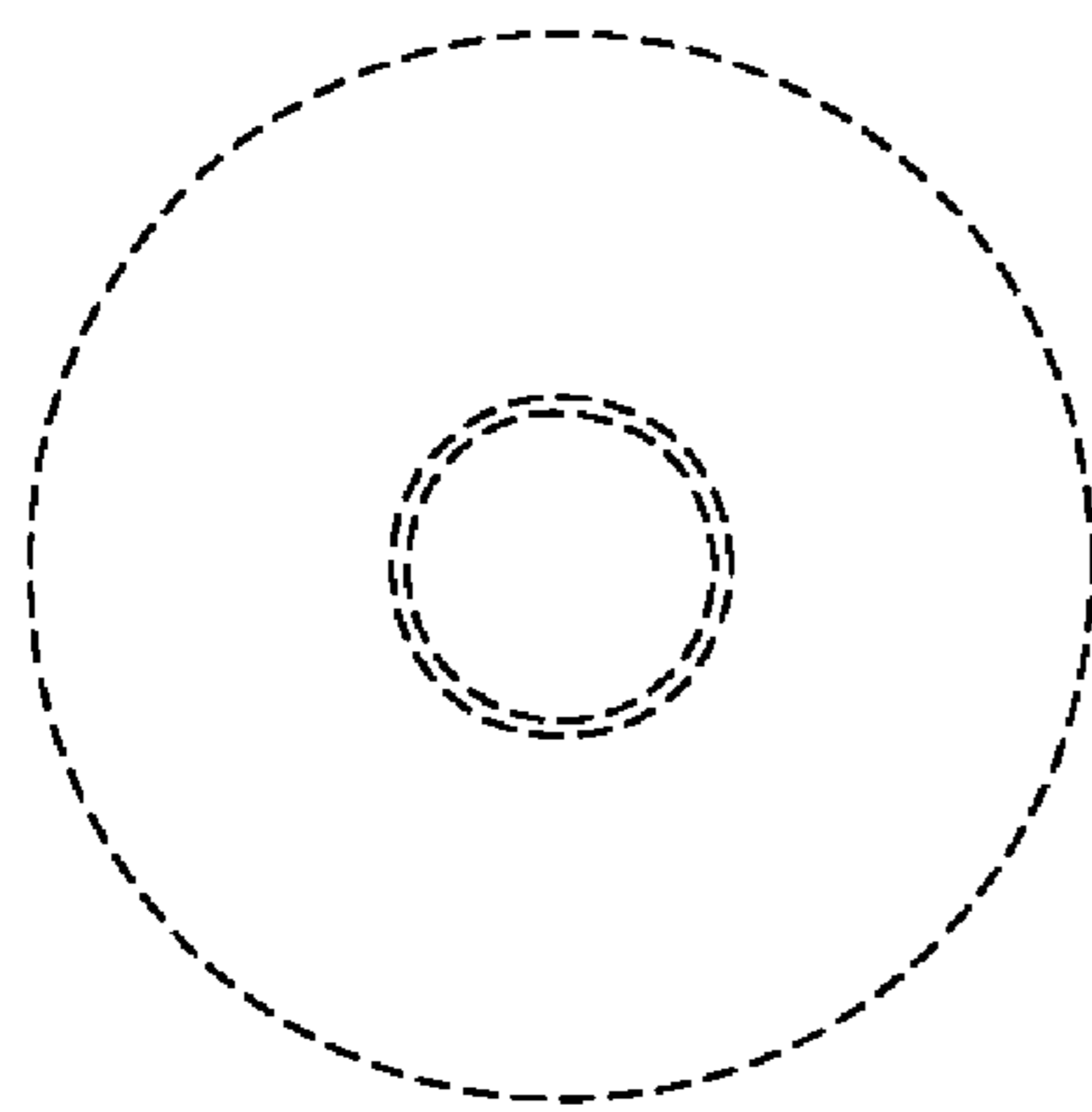


FIG. 6

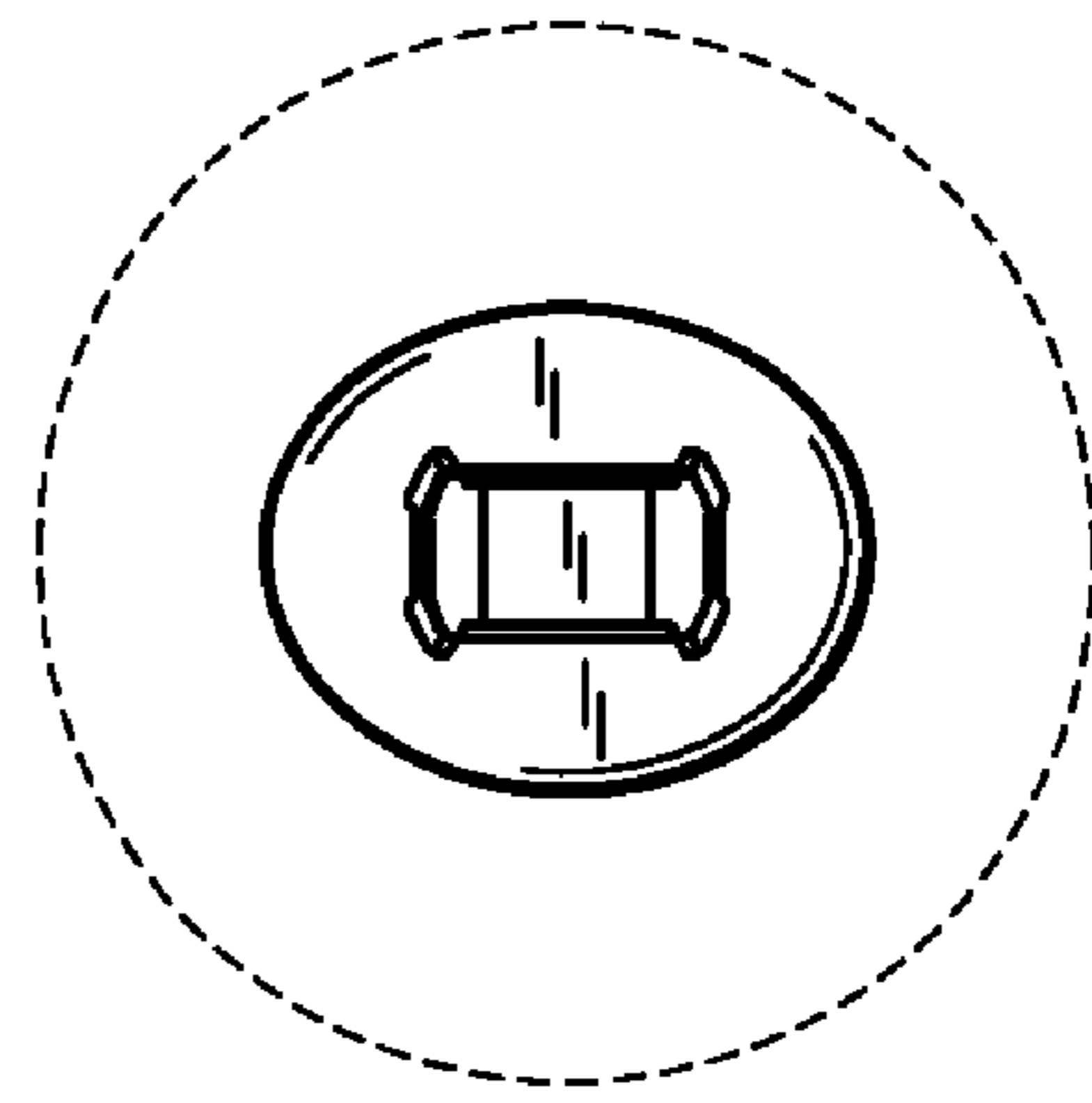


FIG. 7