



US00D610427S

(12) **United States Design Patent**
Meyerspeer

(10) **Patent No.:** **US D610,427 S**

(45) **Date of Patent:** **** Feb. 23, 2010**

(54) **HAMMER DRILL**

(75) Inventor: **Bernhard Meyerspeer**, Zell am See
(AT)

(73) Assignee: **Metabowerke GmbH**, Nuertingen (DE)

(**) Term: **14 Years**

(21) Appl. No.: **29/339,083**

(22) Filed: **Jun. 24, 2009**

Related U.S. Application Data

(63) Continuation-in-part of application No. 29/273,156,
filed on Feb. 28, 2007, now abandoned.

(30) **Foreign Application Priority Data**

Sep. 4, 2006 (EM) 000591003

(51) **LOC (9) Cl.** **08-01**

(52) **U.S. Cl.** **D8/69**

(58) **Field of Classification Search** D8/61-70;
81/57.11, 429, 454-456, 469, 489; 173/13,
173/104, 114, 167-173, 178, 201, 211, 213,
173/217, 198; 227/8, 113, 114, 120, 130,
227/136, 142; 310/50; 408/20, 124, 125,
408/234, 241 R, 58, 67; 451/358

See application file for complete search history.

(56) **References Cited**

U.S. PATENT DOCUMENTS

4,962,787 A * 10/1990 Mayhew 137/556.3

D383,046 S * 9/1997 Moffatt et al. D8/69
5,813,805 A * 9/1998 Kopras 408/241 R
D439,484 S * 3/2001 Adler et al. D8/69
D502,075 S * 2/2005 Main D8/69

* cited by examiner

Primary Examiner—Antoine D Davis

(74) *Attorney, Agent, or Firm*—Paul Vincent

(57) **CLAIM**

The ornamental design for a hammer drill, as shown.

DESCRIPTION

FIG. 1 shows a perspective view of the hammer drill in accordance with the invention;

FIG. 2 shows a left side view of the hammer drill in accordance with the invention;

FIG. 3 shows a right side view of the hammer drill in accordance with the invention;

FIG. 4 shows a top view of the hammer drill in accordance with the invention;

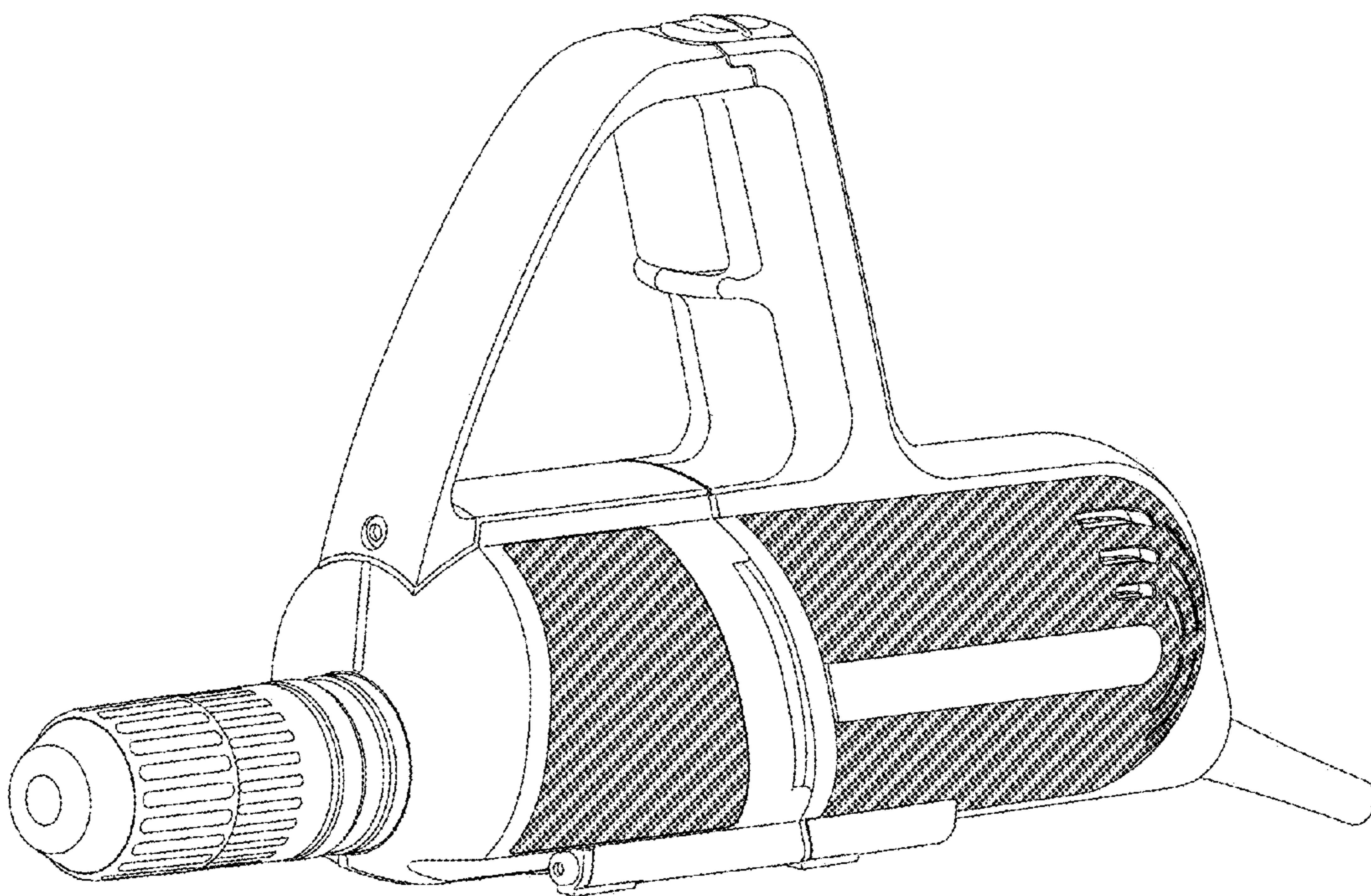
FIG. 5 shows a bottom view of the hammer drill in accordance with the invention;

FIG. 6 shows a rear view of the hammer drill in accordance with the invention;

FIG. 7 shows a front view of the hammer drill in accordance with the invention; and,

FIG. 8 shows a perspective view of the hammer drill in accordance with the invention with grip.

1 Claim, 4 Drawing Sheets



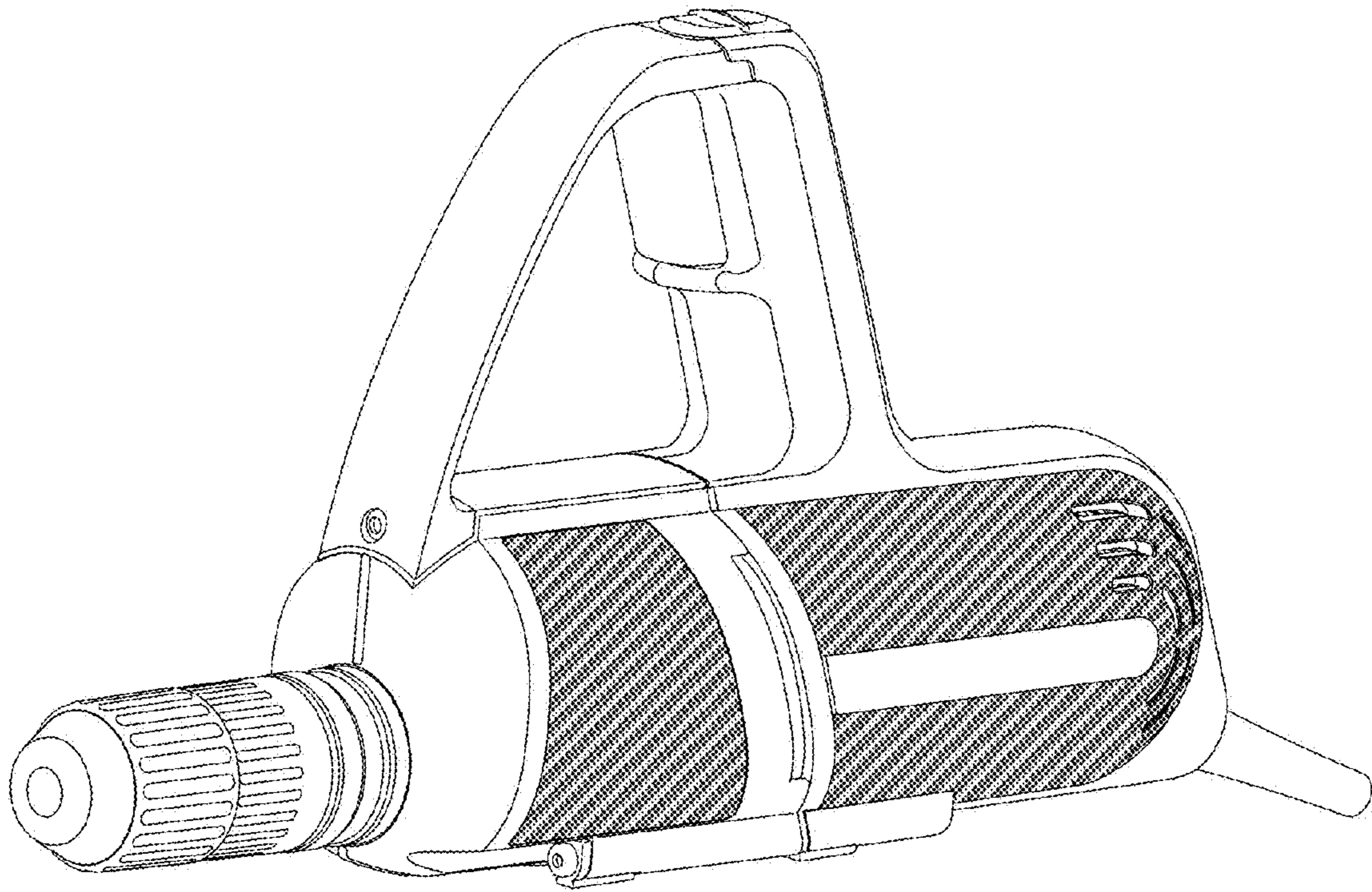


Fig. 1

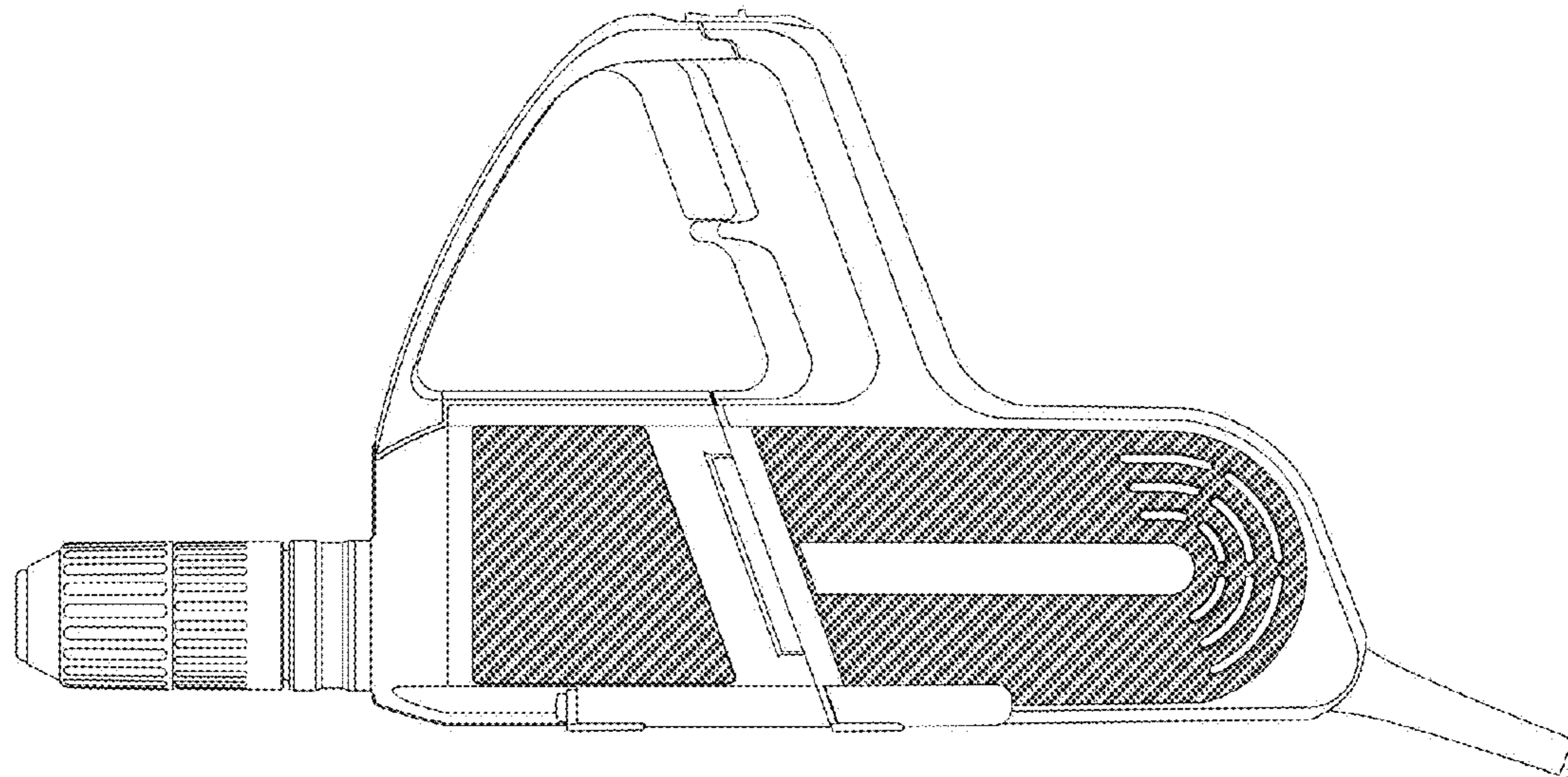


Fig. 2

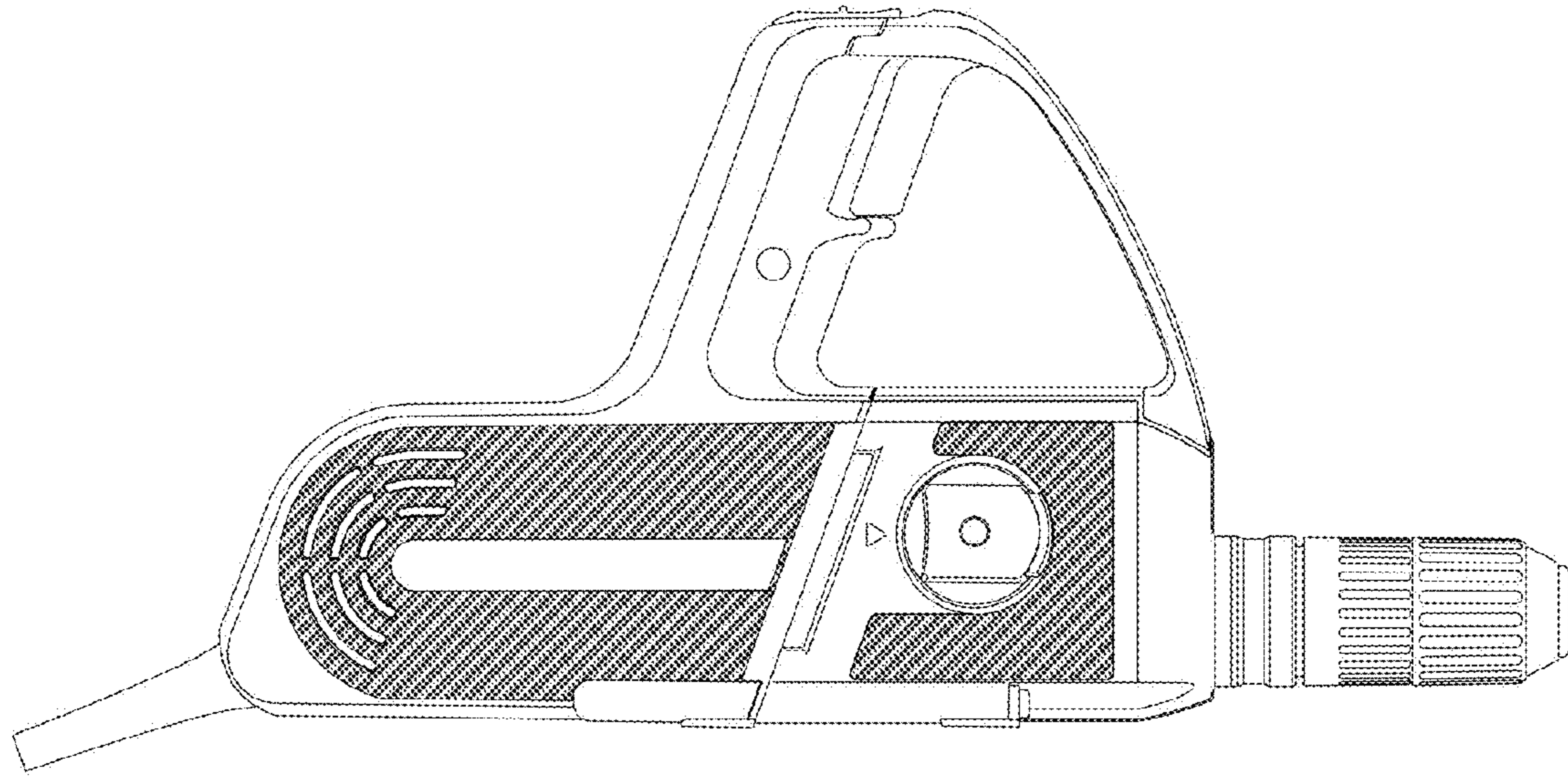


Fig. 3

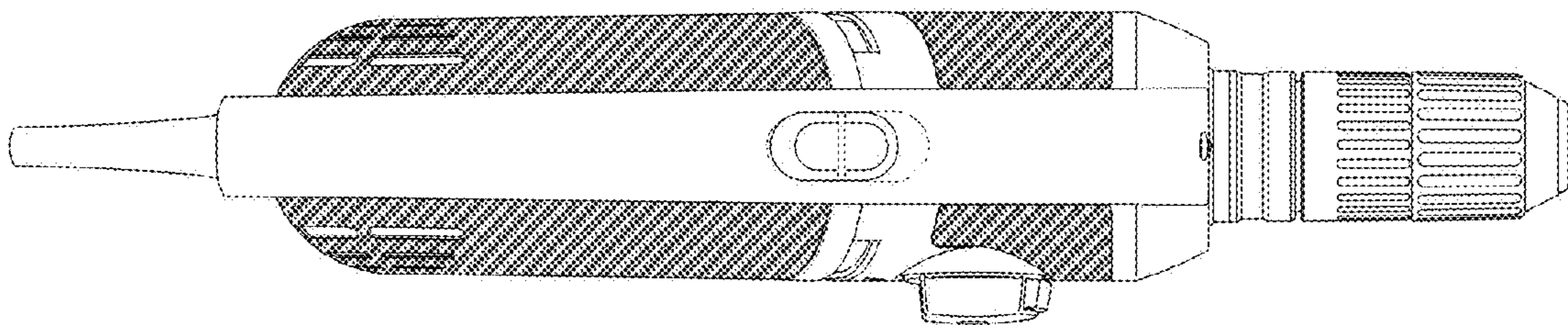


Fig. 4

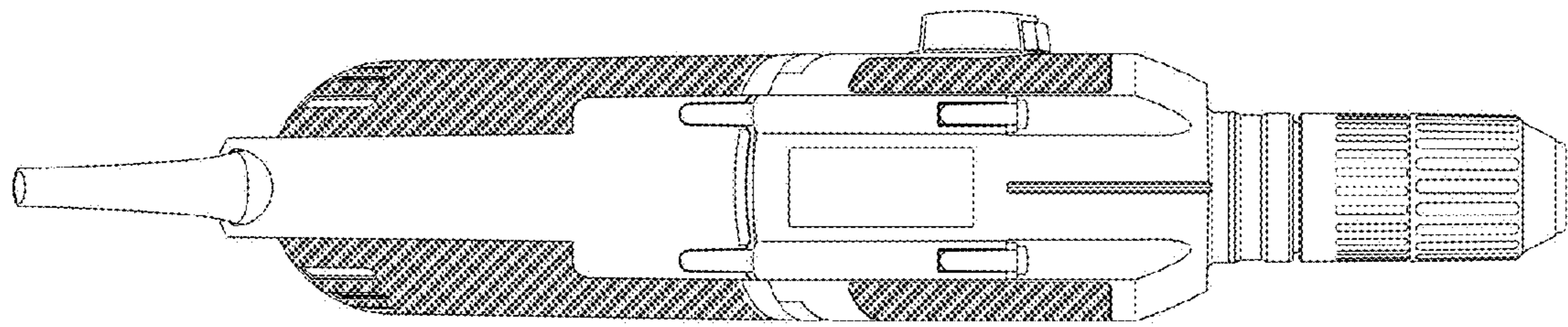
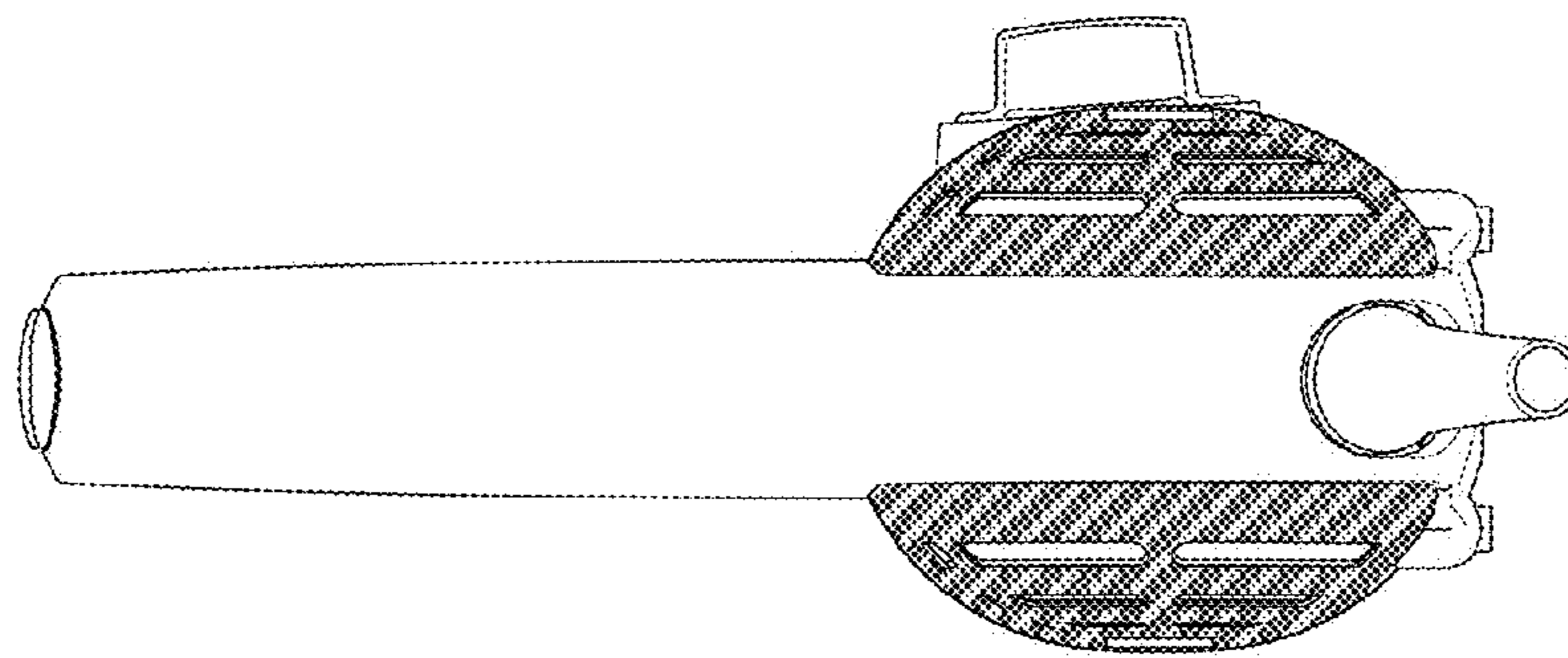


Fig. 5

Fig. 6



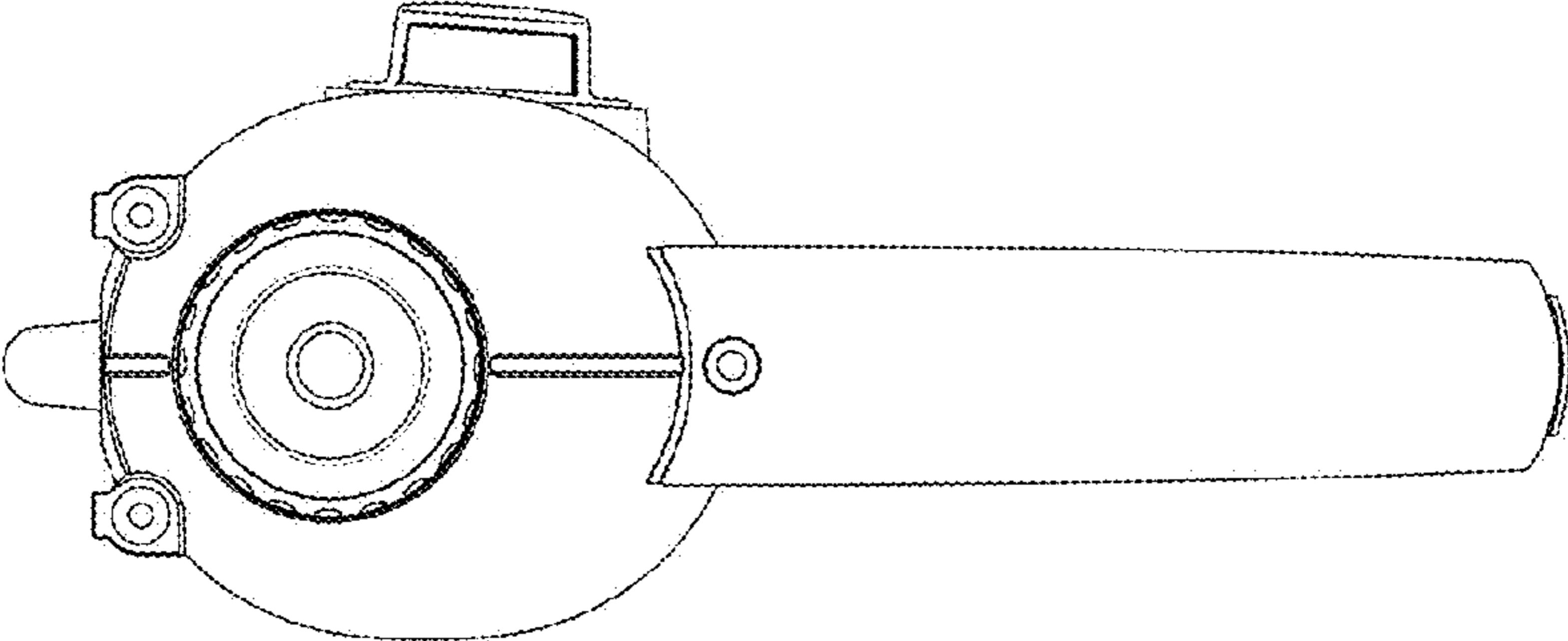


Fig. 7

Fig. 8

