



US00D610426S

(12) **United States Design Patent**  
**Hahn et al.**

(10) **Patent No.:** **US D610,426 S**  
(45) **Date of Patent:** **\*\* Feb. 23, 2010**

(54) **HAMMER**

(76) Inventors: **Norbert Hahn**, Am Birnbaum 32,  
Hunstetten (DE) 65510; **Frantisek**  
**Harcar**, Namestie sv. Martina 83,  
Lipany (SK) 08271

(\*\*) Term: **14 Years**

(21) Appl. No.: **29/331,263**

(22) Filed: **Jan. 22, 2009**

(30) **Foreign Application Priority Data**

Jul. 22, 2008 (EP) ..... 000973789

(51) **LOC (9) Cl.** ..... **08-01**

(52) **U.S. Cl.** ..... **D8/69**

(58) **Field of Classification Search** ..... D8/61-70;  
81/57.11, 429, 454-456, 469, 489; 173/13,  
173/104, 114, 167-173, 178, 201, 211, 213,  
173/217, 198; 227/8, 113, 114, 120, 130,  
227/136, 142; 310/50; 408/20, 124, 125,  
408/234, 241 R, 58, 67; 451/358

See application file for complete search history.

(56) **References Cited**

**U.S. PATENT DOCUMENTS**

D474,092 S \* 5/2003 Stirn ..... D8/69

D509,120 S \* 9/2005 Okuda et al. .... D8/69  
7,017,680 B2 \* 3/2006 Arich et al. .... 173/198  
D525,849 S \* 8/2006 Hayakawa et al. .... D8/69  
D555,451 S \* 11/2007 Okuda et al. .... D8/69  
D563,749 S \* 3/2008 Okuda et al. .... D8/69  
D575,606 S \* 8/2008 Okouchi et al. .... D8/69

\* cited by examiner

*Primary Examiner*—Antoine D Davis

(74) *Attorney, Agent, or Firm*—Kofi Schulerbrandt; Scott  
Markow; Adan Ayala

(57) **CLAIM**

The ornamental design for a hammer, as shown and  
described.

**DESCRIPTION**

FIG. 1 is a perspective view of the hammer.

FIG. 2 is a left view thereof.

FIG. 3 is a right view thereof.

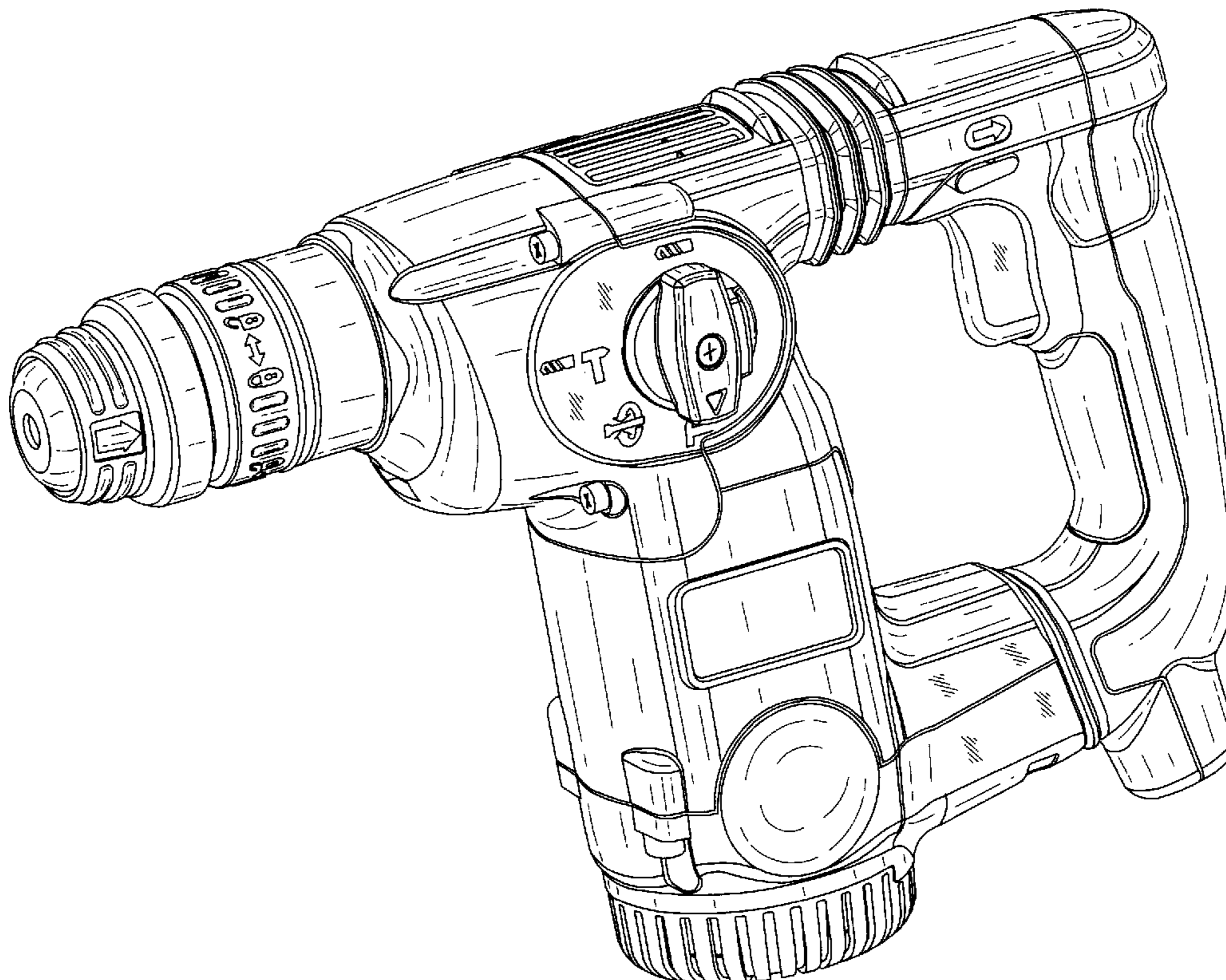
FIG. 4 is a front view thereof.

FIG. 5 is a back view thereof.

FIG. 6 is a top view thereof; and,

FIG. 7 is a bottom view thereof.

**1 Claim, 5 Drawing Sheets**



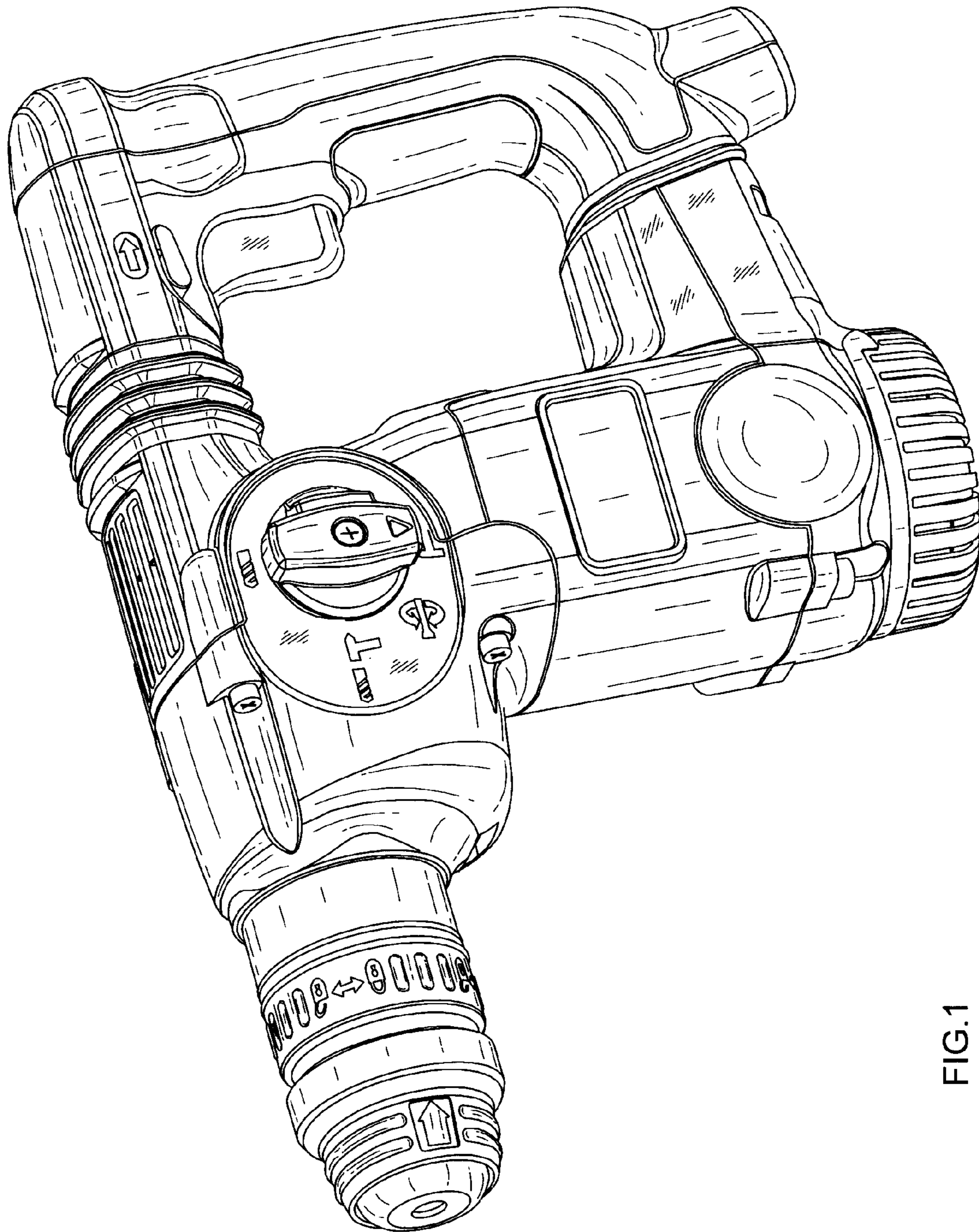


FIG.1



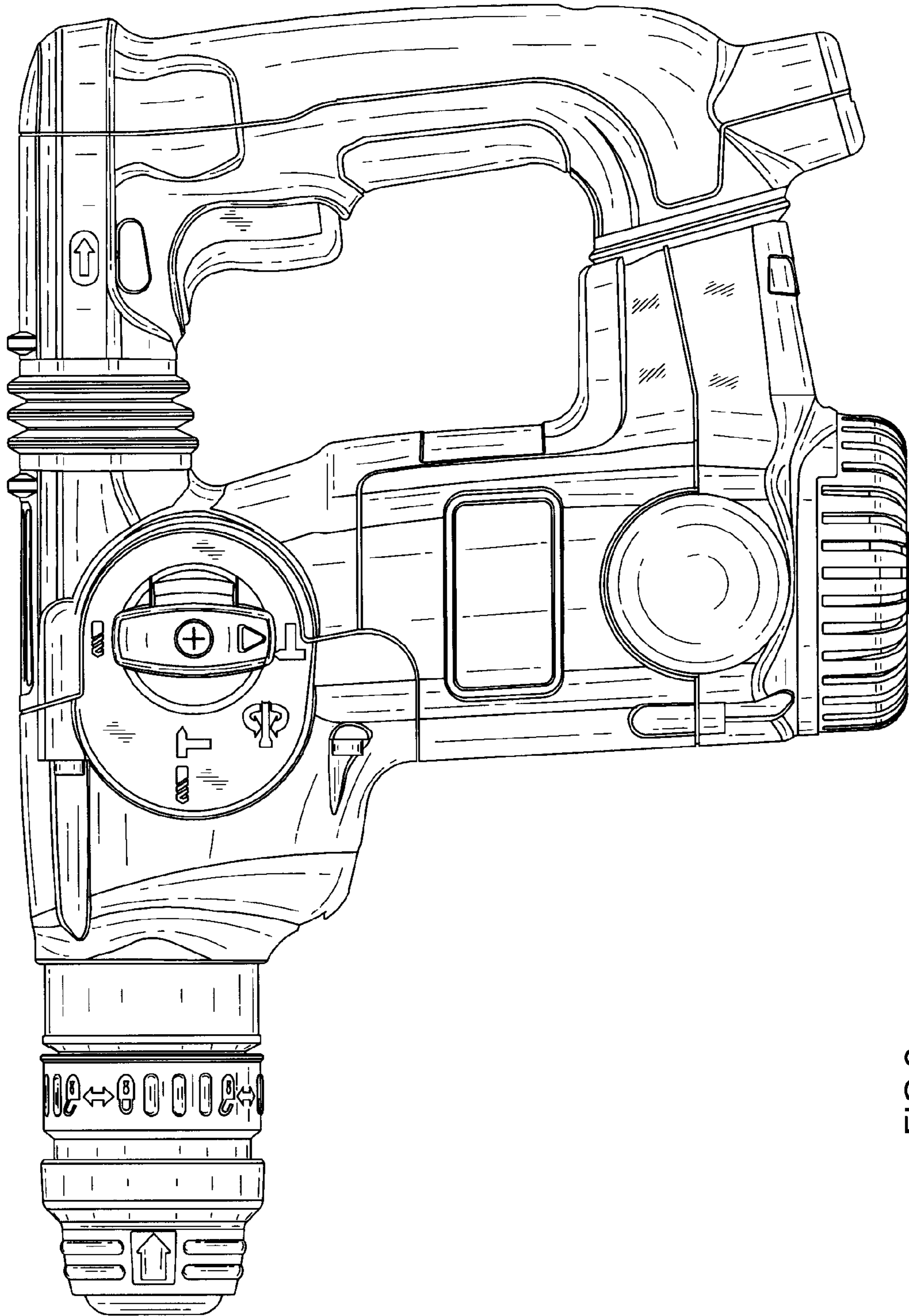


FIG.2

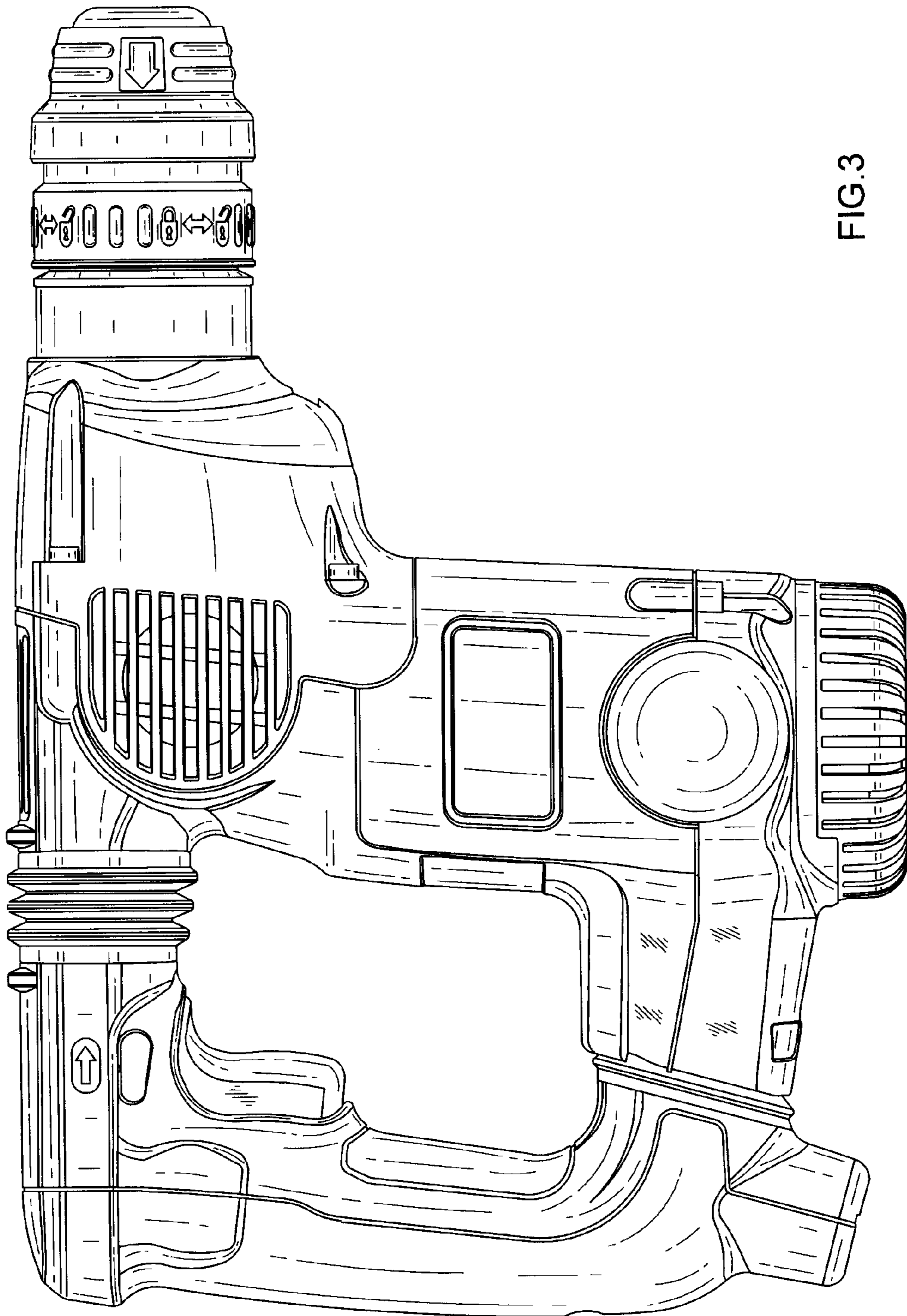


FIG.3

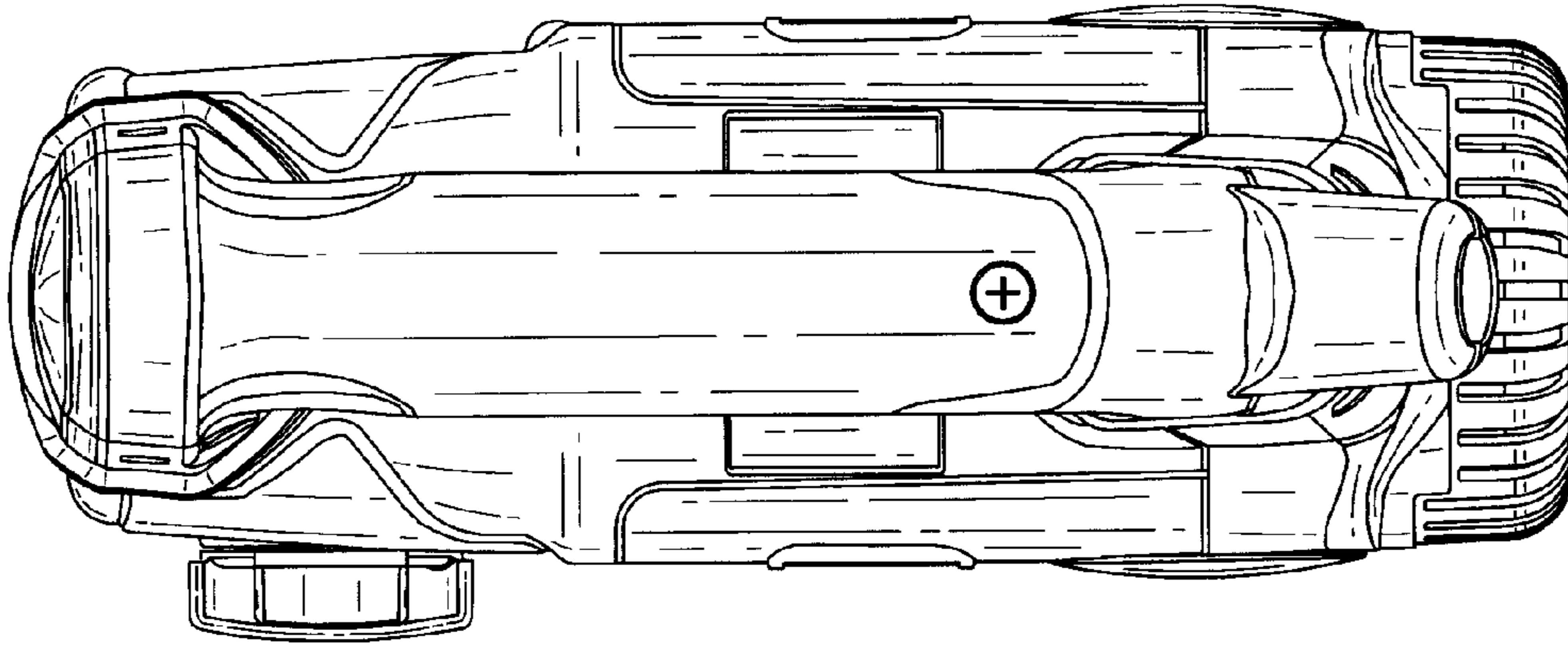


FIG.5

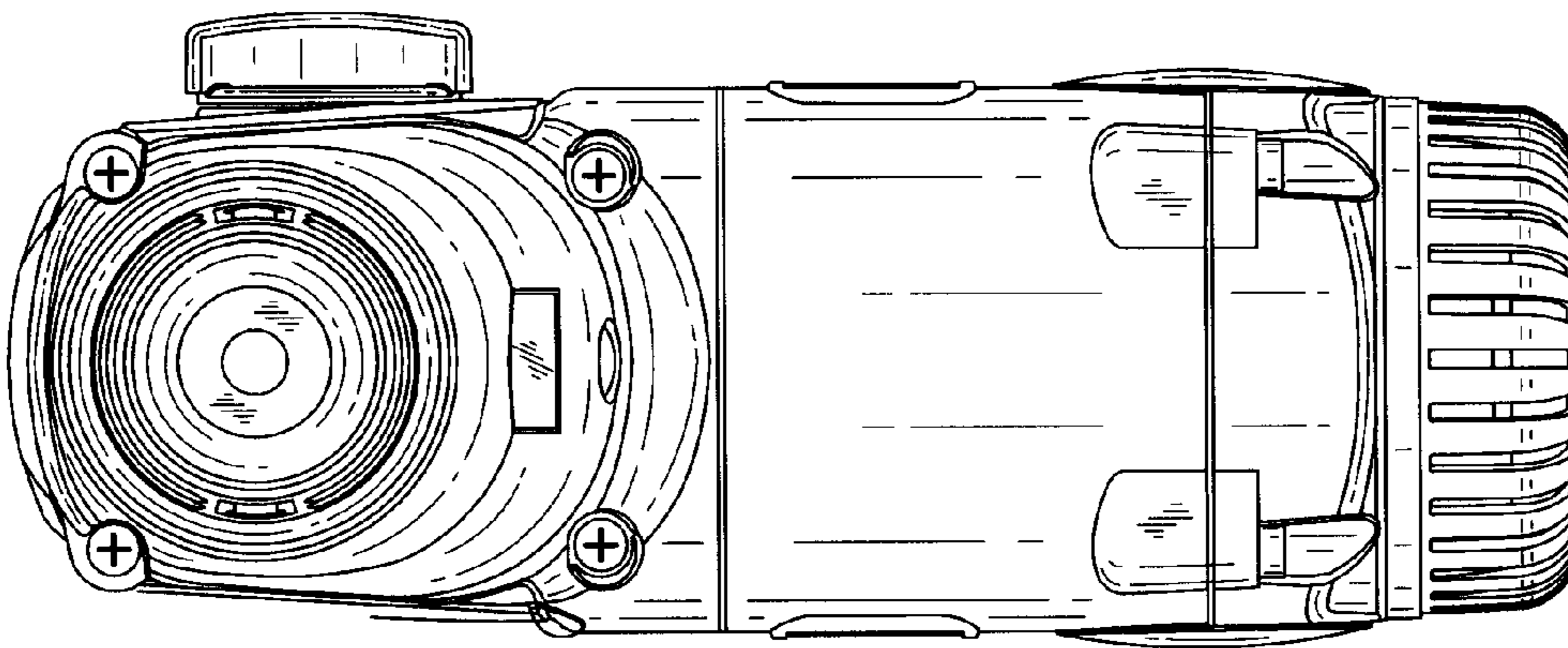


FIG.4

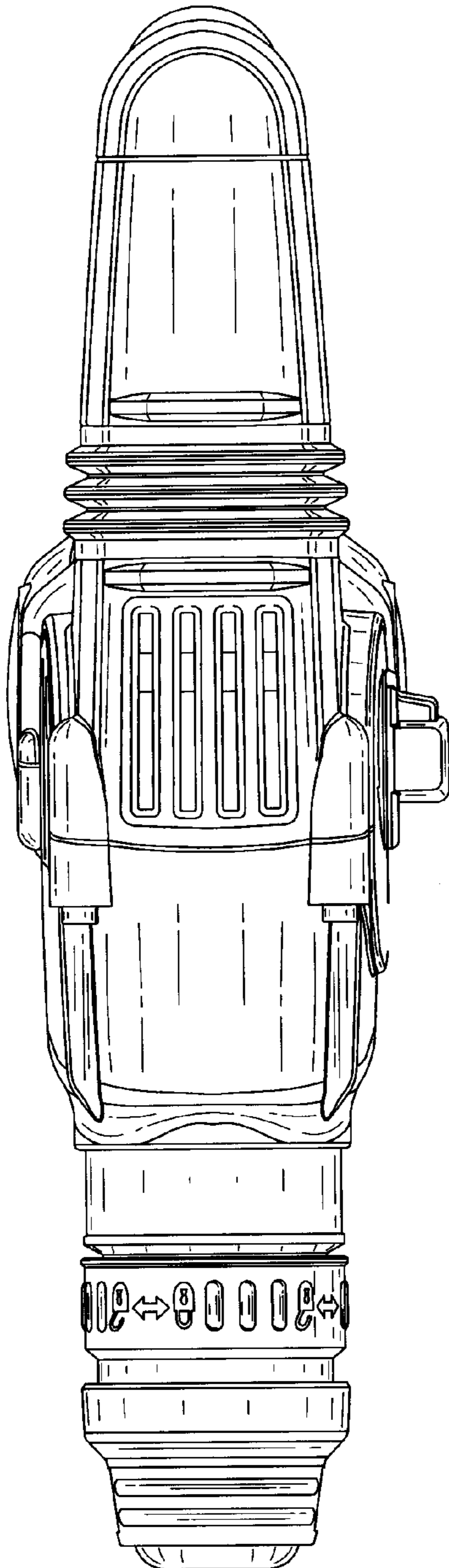


FIG. 6

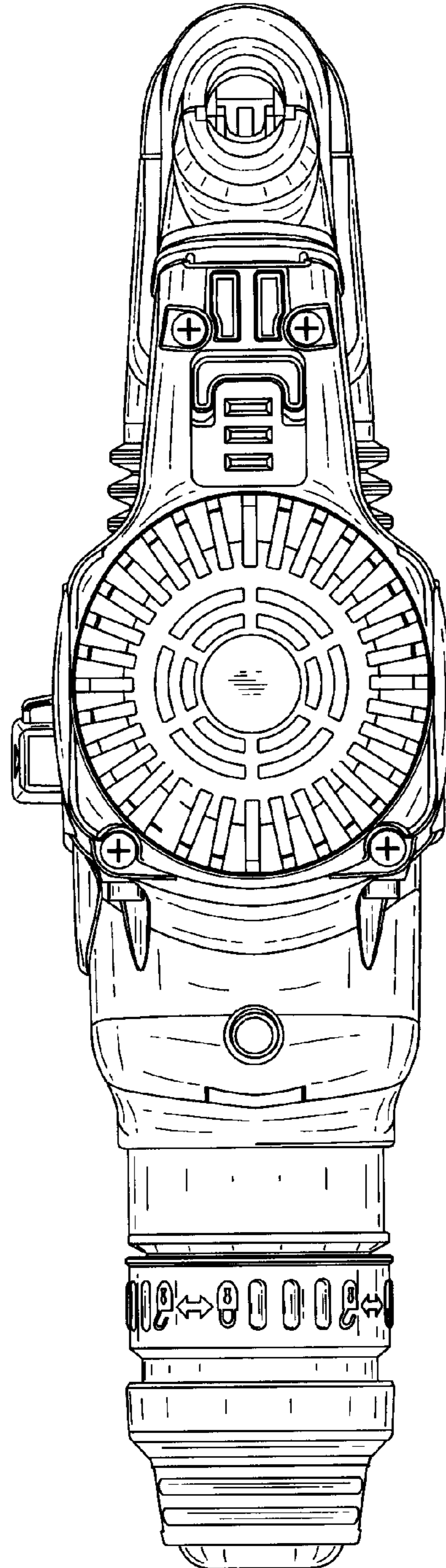


FIG. 7