



US00D610424S

(12) **United States Design Patent**
Wright

(10) **Patent No.:** **US D610,424 S**

(45) **Date of Patent:** **** Feb. 23, 2010**

(54) **DRILL**

(75) Inventor: **Stuart J. Wright**, Timonium, MD (US)

(73) Assignee: **Black & Decker Inc.**, Newark, DE (US)

(**) Term: **14 Years**

(21) Appl. No.: **29/344,822**

(22) Filed: **Oct. 5, 2009**

Related U.S. Application Data

(63) Continuation of application No. 29/325,165, filed on Sep. 26, 2008.

(51) **LOC (9) Cl.** **08-01**

(52) **U.S. Cl.** **D8/68**

(58) **Field of Classification Search** D8/61-69;
81/57.11, 429, 464, 465, 466, 469, 489; 173/13,
173/169, 178, 213, 217; 227/8, 114, 120,
227/130, 136, 142; 310/50; 408/20, 124,
408/125, 234, 241 R; 451/358

See application file for complete search history.

(56) **References Cited**

U.S. PATENT DOCUMENTS

D486,049 S * 2/2004 Sugiura et al. D8/68

D496,574 S * 9/2004 Sakai et al. D8/68
D513,951 S * 1/2006 Chung et al. D8/68
D526,178 S * 8/2006 Alias D8/68
7,398,835 B2 * 7/2008 Stirm 173/48
7,401,663 B2 * 7/2008 Craven et al. 173/217
7,469,753 B2 * 12/2008 Klemm et al. 173/178

* cited by examiner

Primary Examiner—Antoine D Davis

(74) *Attorney, Agent, or Firm*—Scott B. Markow

(57) **CLAIM**

The ornamental design for a drill, as shown and described.

DESCRIPTION

FIG. 1 is a perspective view of the drill.

FIG. 2 is a front view thereof.

FIG. 3 is a rear view thereof.

FIG. 4 is a right view thereof.

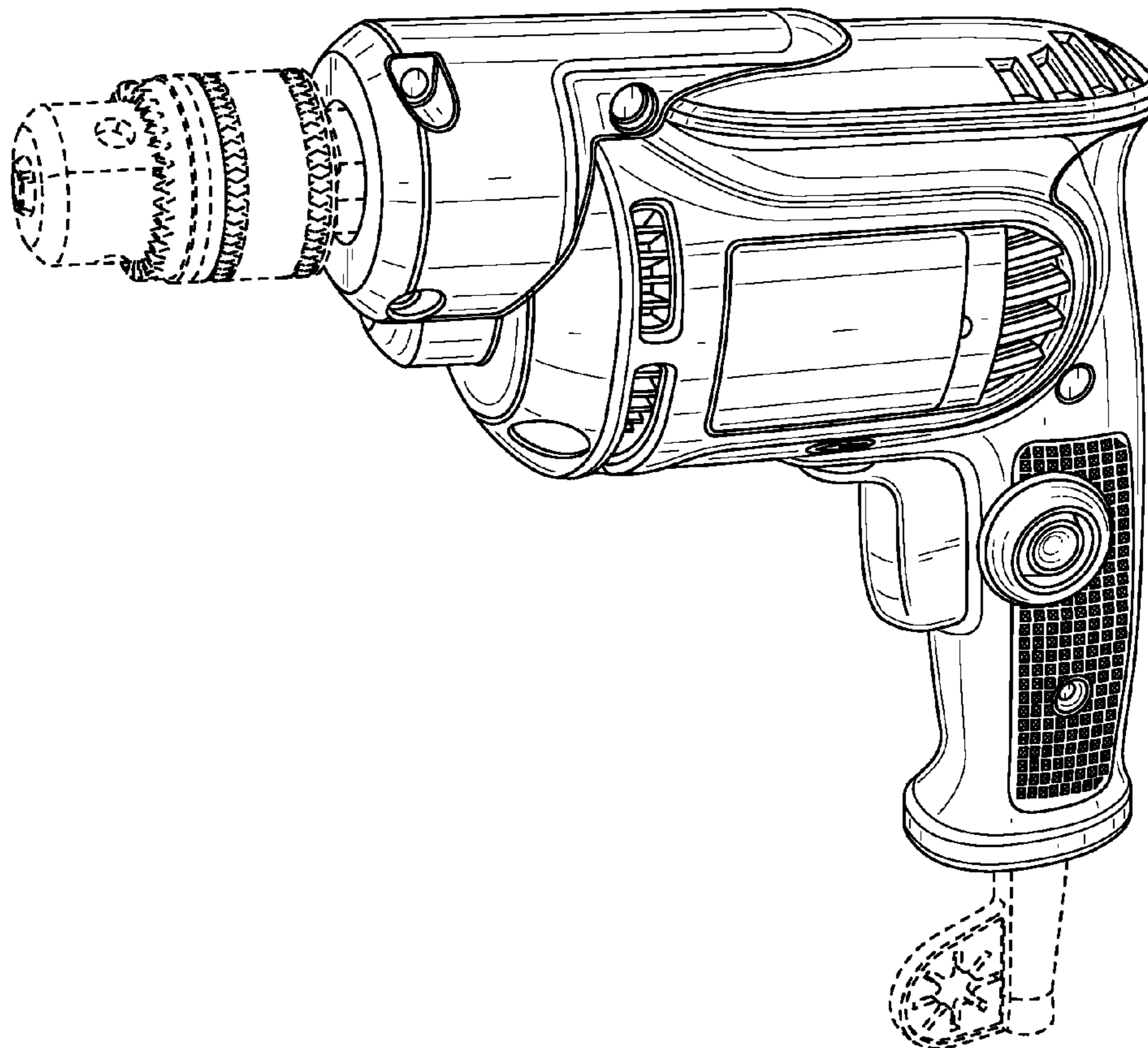
FIG. 5 is a left view thereof.

FIG. 6 is a top view thereof; and,

FIG. 7 is a bottom view thereof.

The portions of the drawings in broken lines do not form any part of the claimed design.

1 Claim, 5 Drawing Sheets



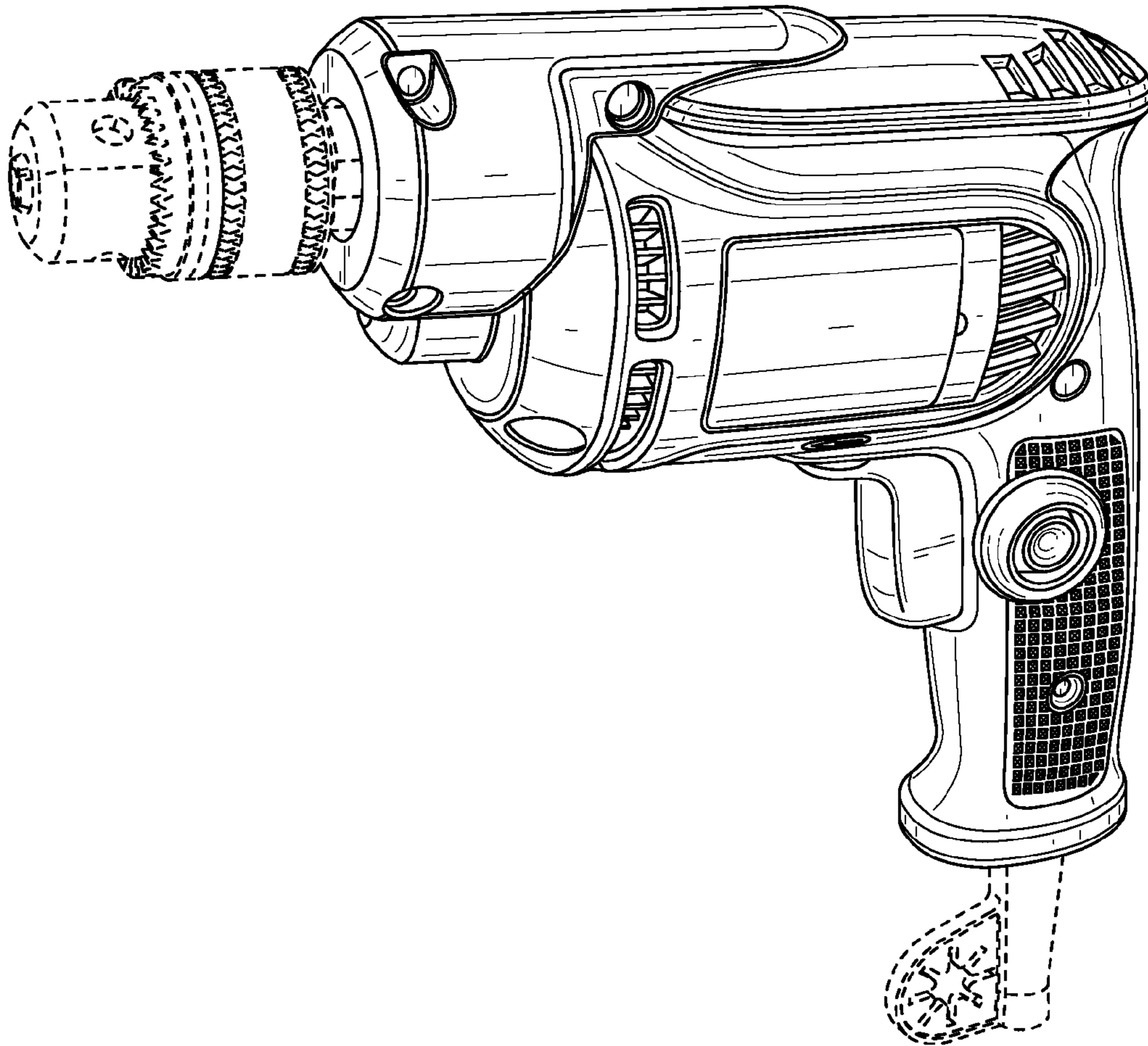


FIG. 1

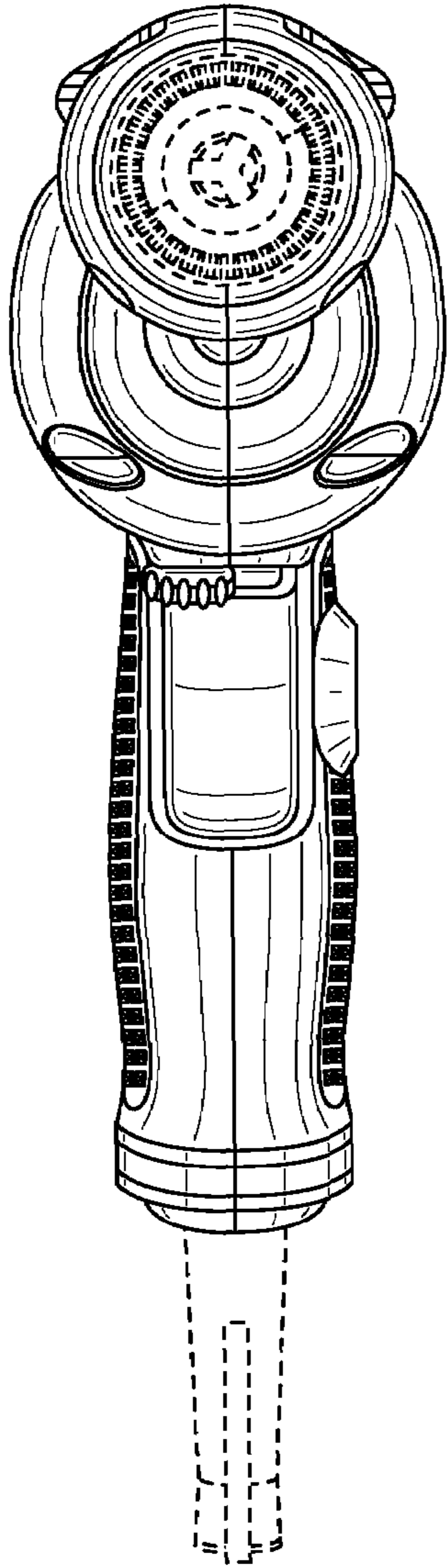


FIG. 2

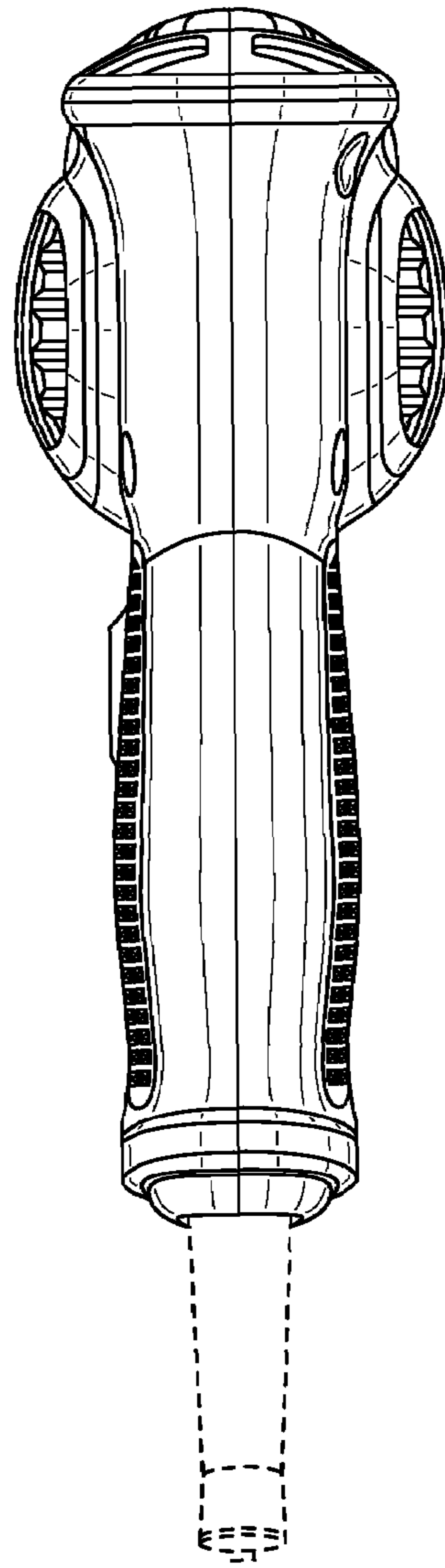


FIG. 3

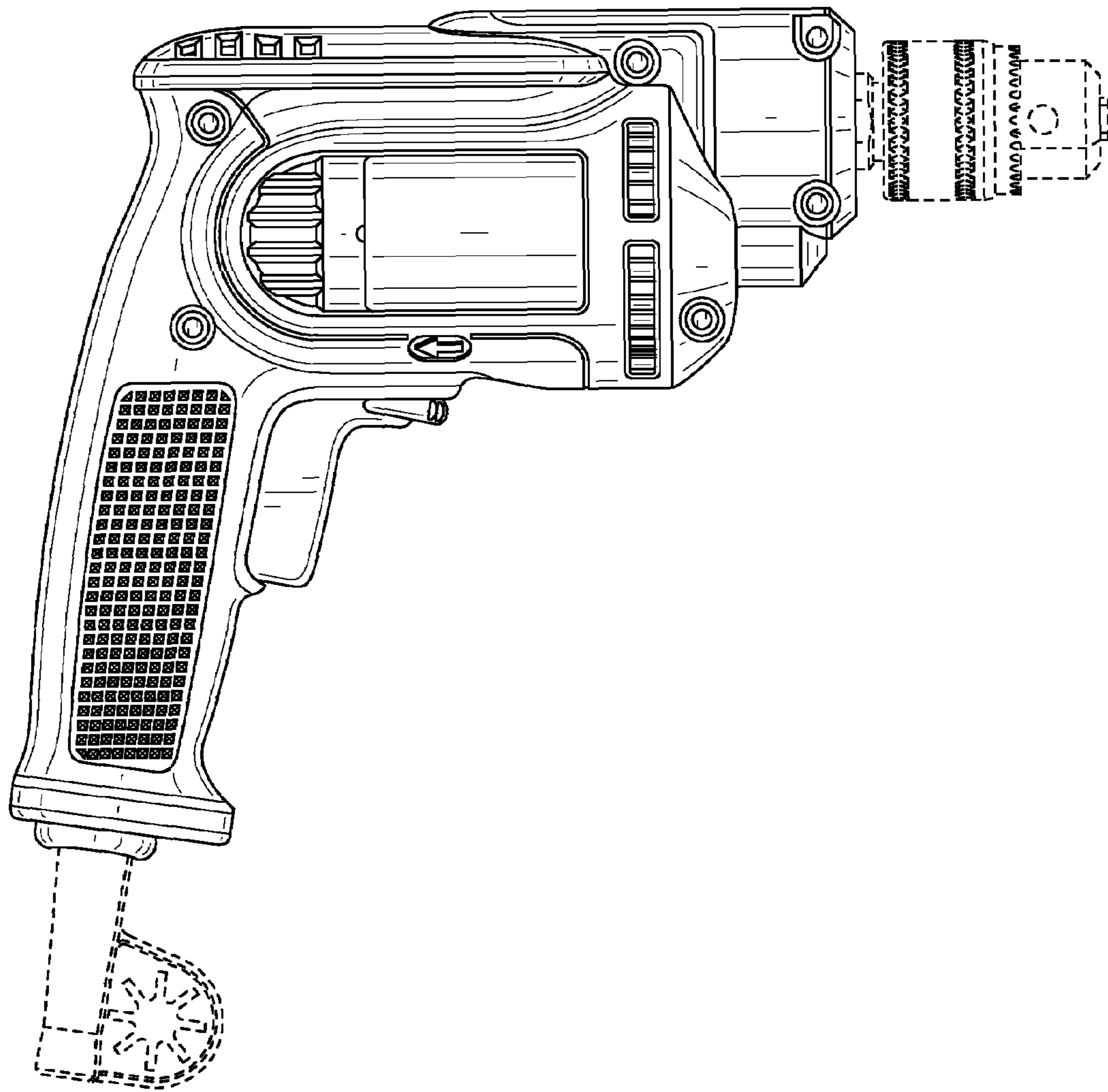


FIG. 4

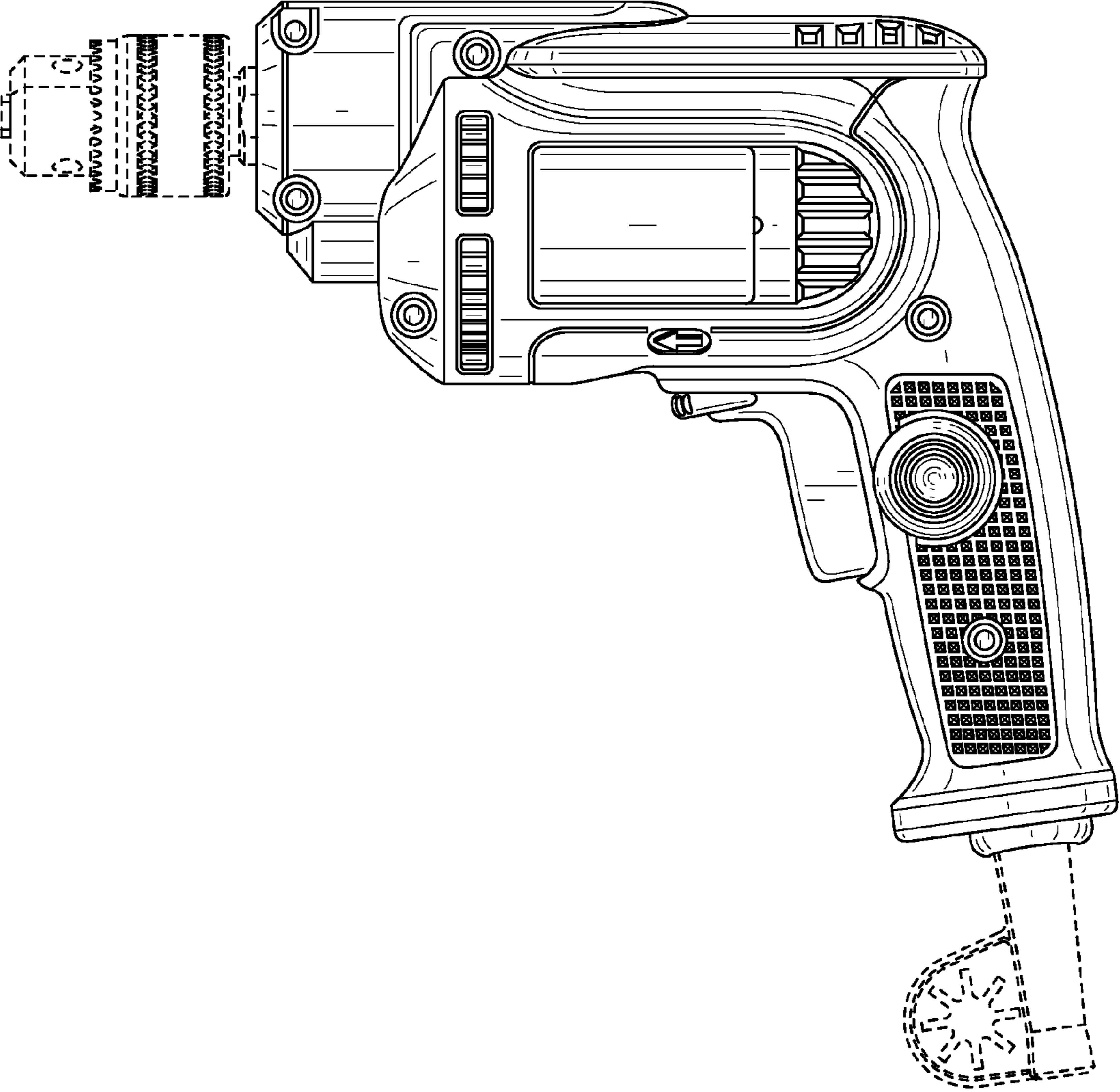


FIG. 5

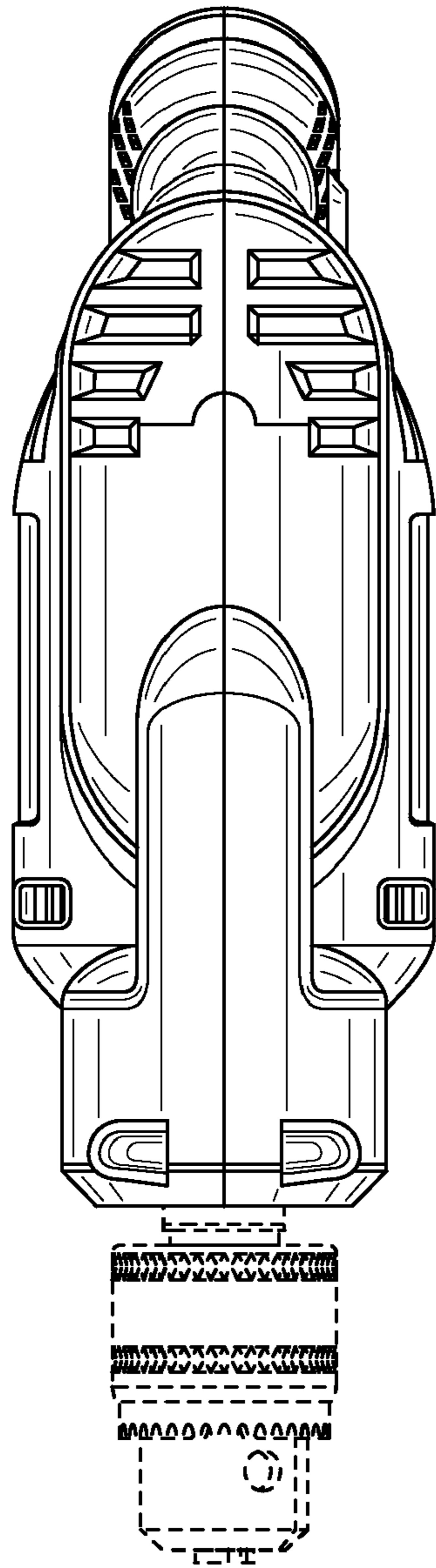


FIG. 6

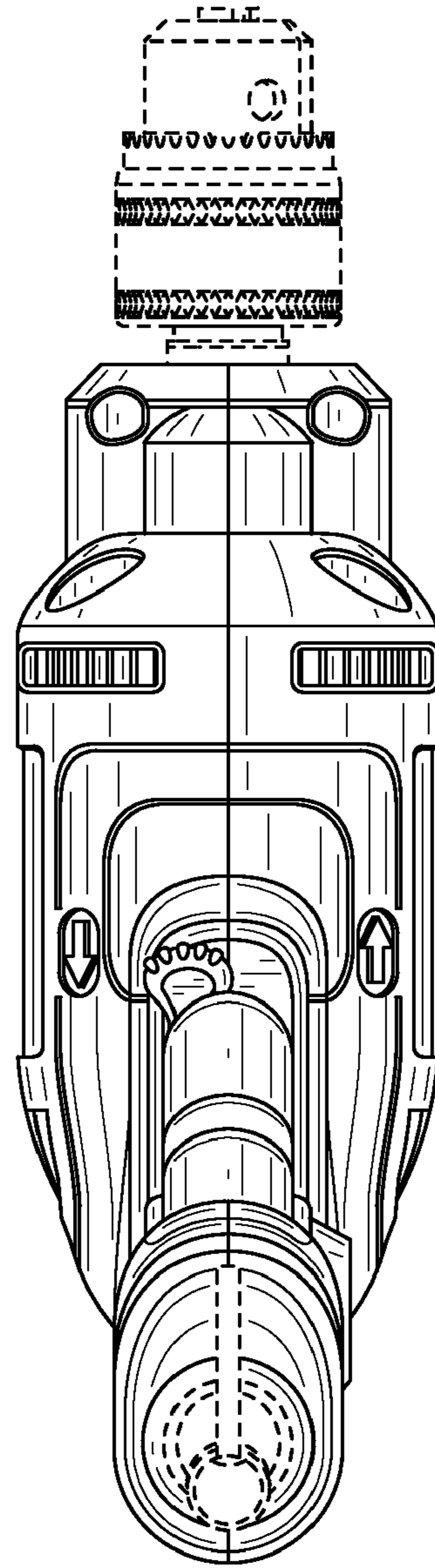


FIG. 7