



US00D610423S

(12) **United States Design Patent**
Houghton et al.

(10) **Patent No.:** **US D610,423 S**
(45) **Date of Patent:** **** Feb. 23, 2010**

(54) **DRILL**

(75) Inventors: **Stephen Houghton**, Newcastle upon Tyne (GB); **Scott Bradford**, Crook (GB)

(73) Assignee: **Black & Decker Inc.**, Newark, DE (US)

(**) Term: **14 Years**

(21) Appl. No.: **29/334,872**

(22) Filed: **Apr. 3, 2009**

(30) **Foreign Application Priority Data**

Oct. 9, 2008 (EM) 001017693

(51) **LOC (9) Cl.** **08-01**

(52) **U.S. Cl.** **D8/68**

(58) **Field of Classification Search** D8/14.1,
D8/61-70; 81/57.11, 429, 454-456, 469,
81/489; 173/13, 104, 114, 168-171, 178,
173/201, 211, 213, 217; 408/20, 124, 125,
408/234, 241 R; 451/358; 310/50; 227/8,
227/113, 114, 120, 130, 136, 142

See application file for complete search history.

(56) **References Cited**

U.S. PATENT DOCUMENTS

D426,760 S * 6/2000 Schultz D8/68
6,796,921 B1 * 9/2004 Buck et al. 475/299
7,066,691 B2 * 6/2006 Doyle et al. 408/124
D525,846 S * 8/2006 Corcoran D8/68
D533,421 S * 12/2006 Aglassinger D8/68
7,150,587 B2 * 12/2006 Dils et al. 408/16
D587,544 S * 3/2009 Lopano D8/68
D593,831 S * 6/2009 Van Wambeke et al. D8/68

FOREIGN PATENT DOCUMENTS

DE M9602972 12/1996
DE M9604586 2/1997
DE M9605995 2/1997
DE MR49902246 10/1999
DE MR49911374 5/2000

DE MR40101678 8/2001
DE MR40209691 4/2003
DE 40304287 1/2004
DE 40304892 4/2004
DE 40603511 1/2007
EM 000136874 5/2004
EM 000192109-0001 8/2004
EM 000192109-0002 8/2004
EM 000192109-0003 8/2004

* cited by examiner

Primary Examiner—Antoine D Davis

(74) *Attorney, Agent, or Firm*—Bruce S. Shapiro; John Yun; Wesley W. Muller

(57) **CLAIM**

The ornamental design for a drill, as shown and described.

DESCRIPTION

Embodiment 1

FIG. 1 is a right/front perspective view of my new design.

FIG. 2 is a left side view thereof.

FIG. 3 is a right side view thereof.

FIG. 4 is a top view thereof.

FIG. 5 is a bottom view thereof.

FIG. 6 is a front view thereof.

FIG. 7 is a rear view thereof.

Embodiment 2

FIG. 8 is a right/front perspective view of my new design.

FIG. 9 is a left side view thereof.

FIG. 10 is a right side view thereof.

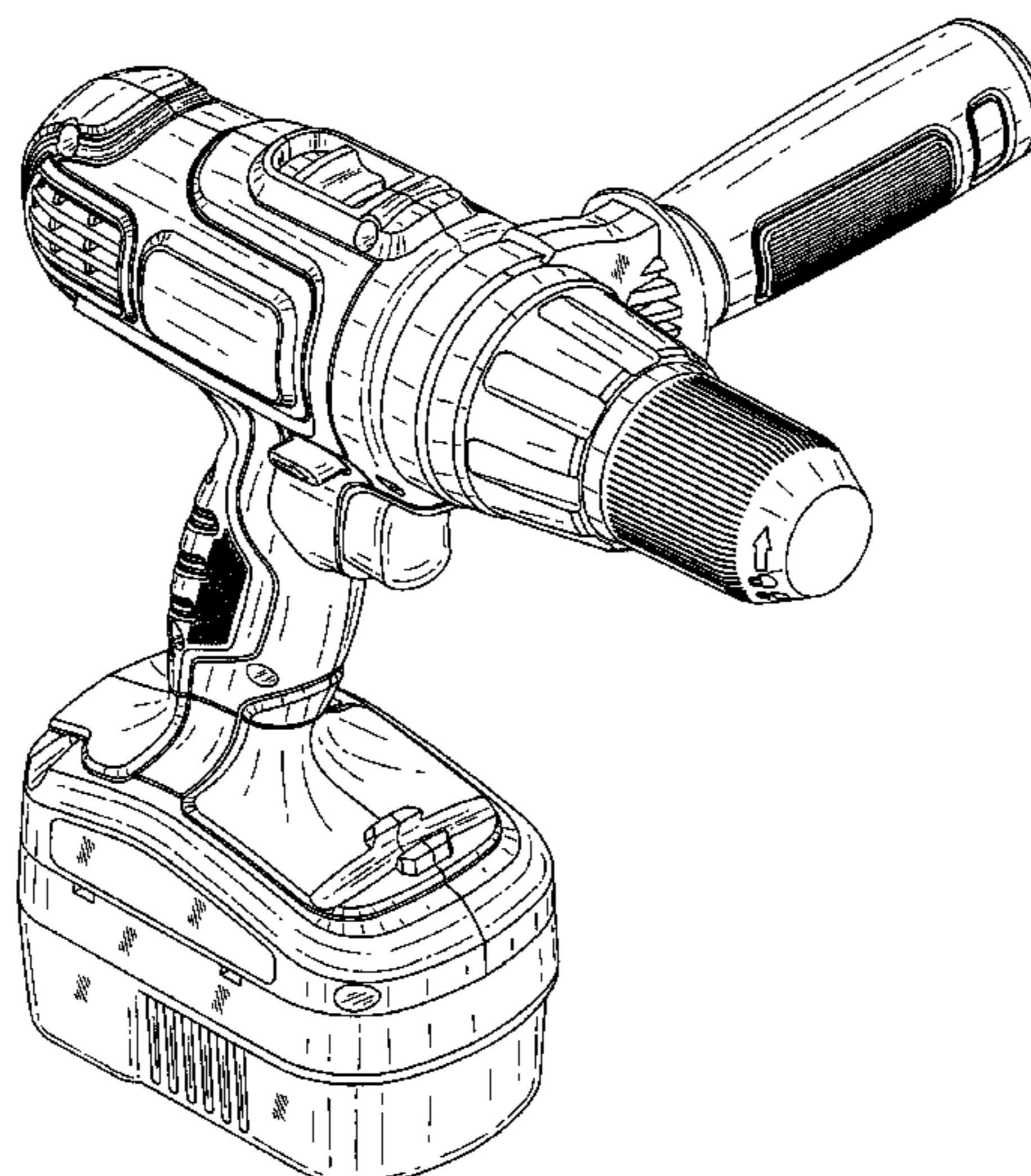
FIG. 11 is a top view thereof.

FIG. 12 is a bottom view thereof.

FIG. 13 is a front view thereof; and,

FIG. 14 is a rear view thereof.

1 Claim, 12 Drawing Sheets



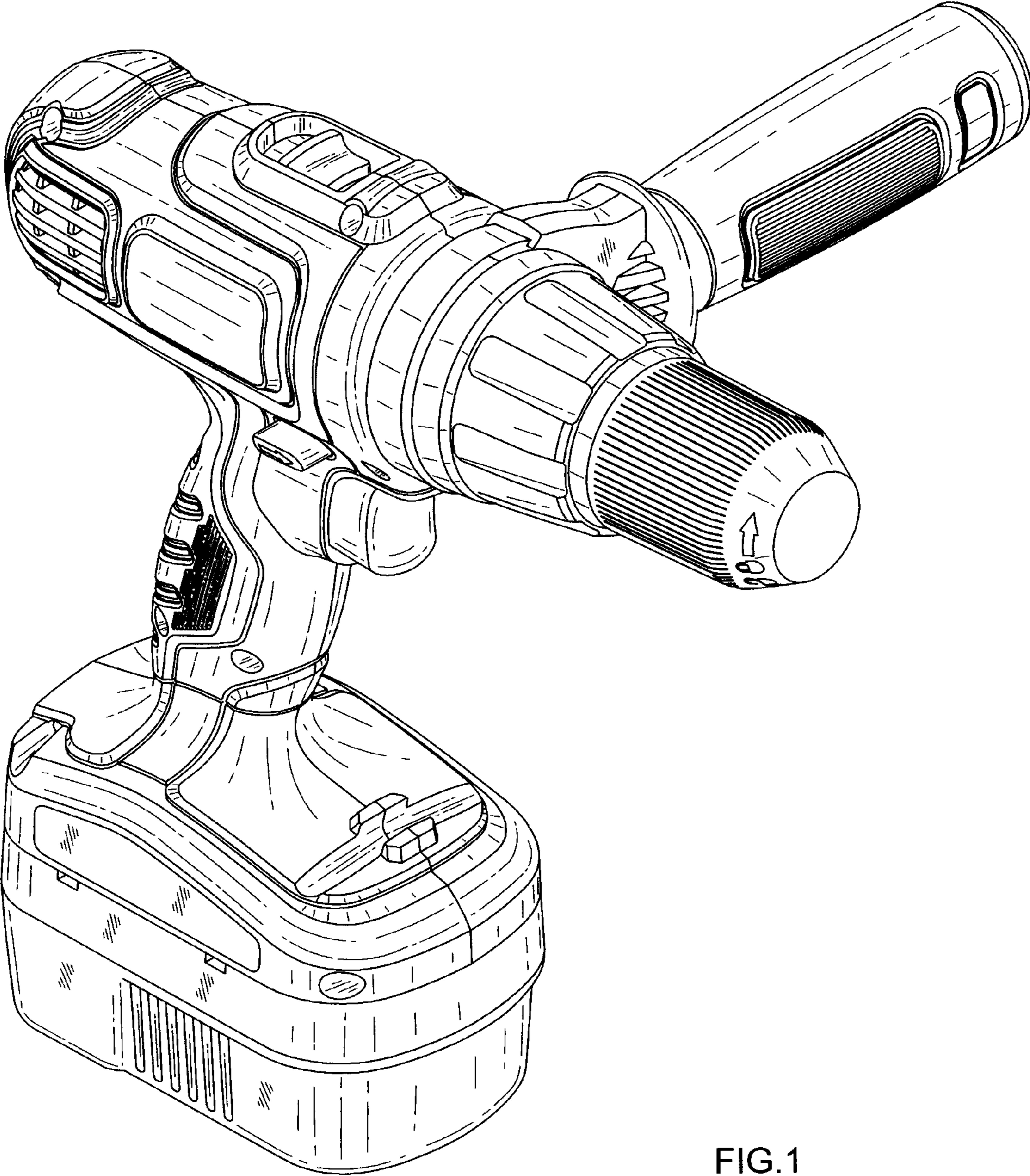


FIG.1

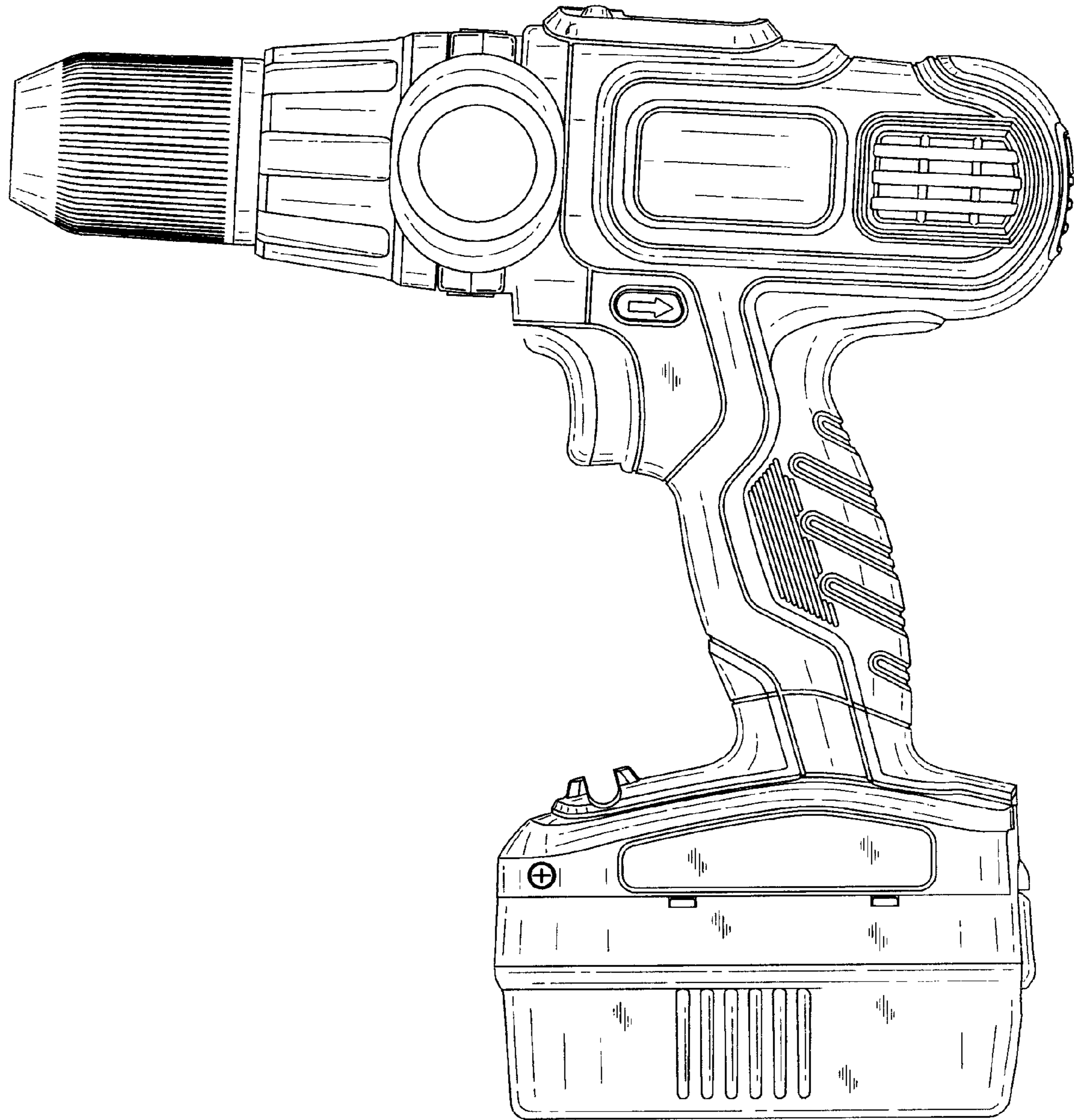


FIG.2

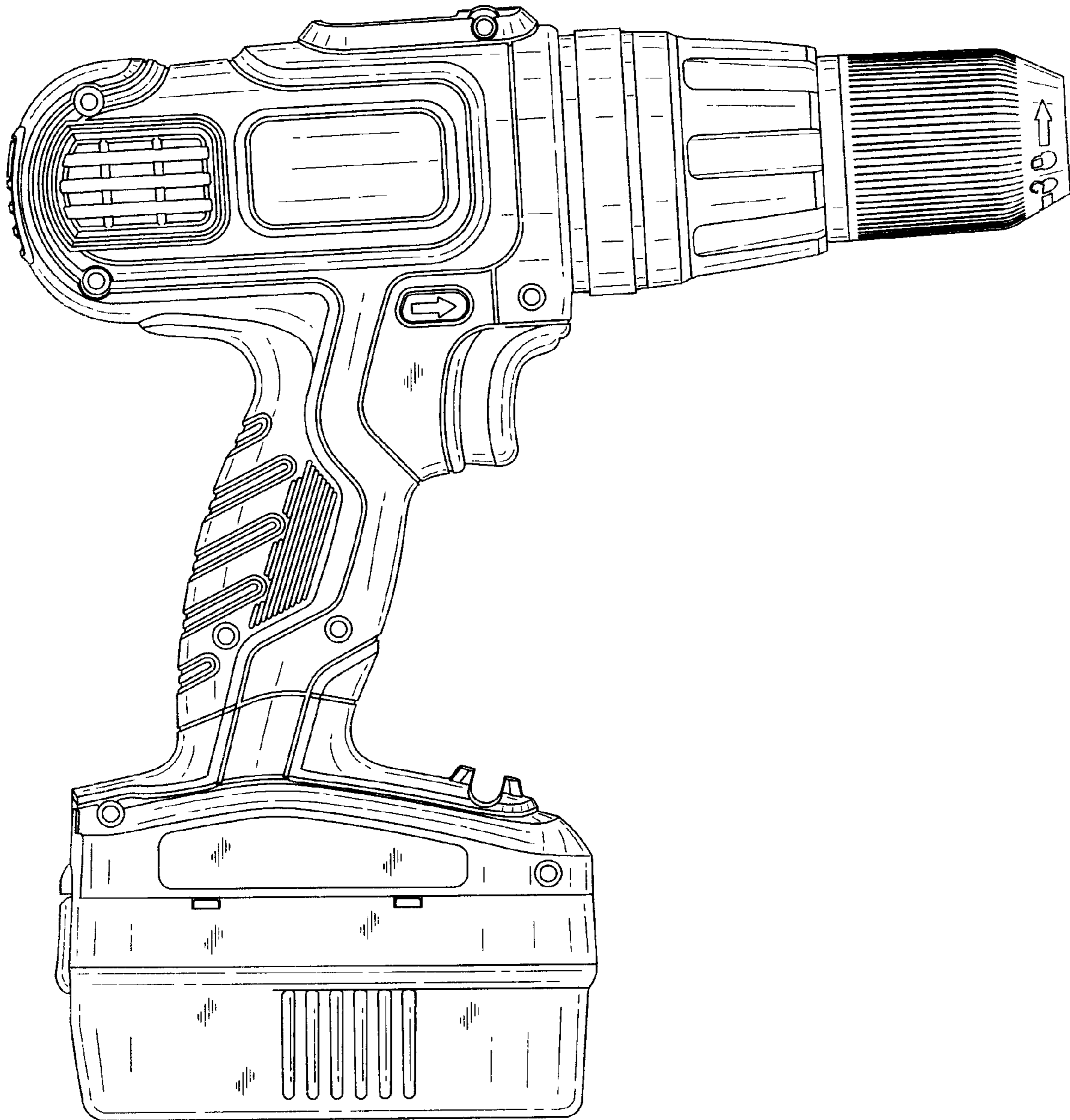


FIG.3

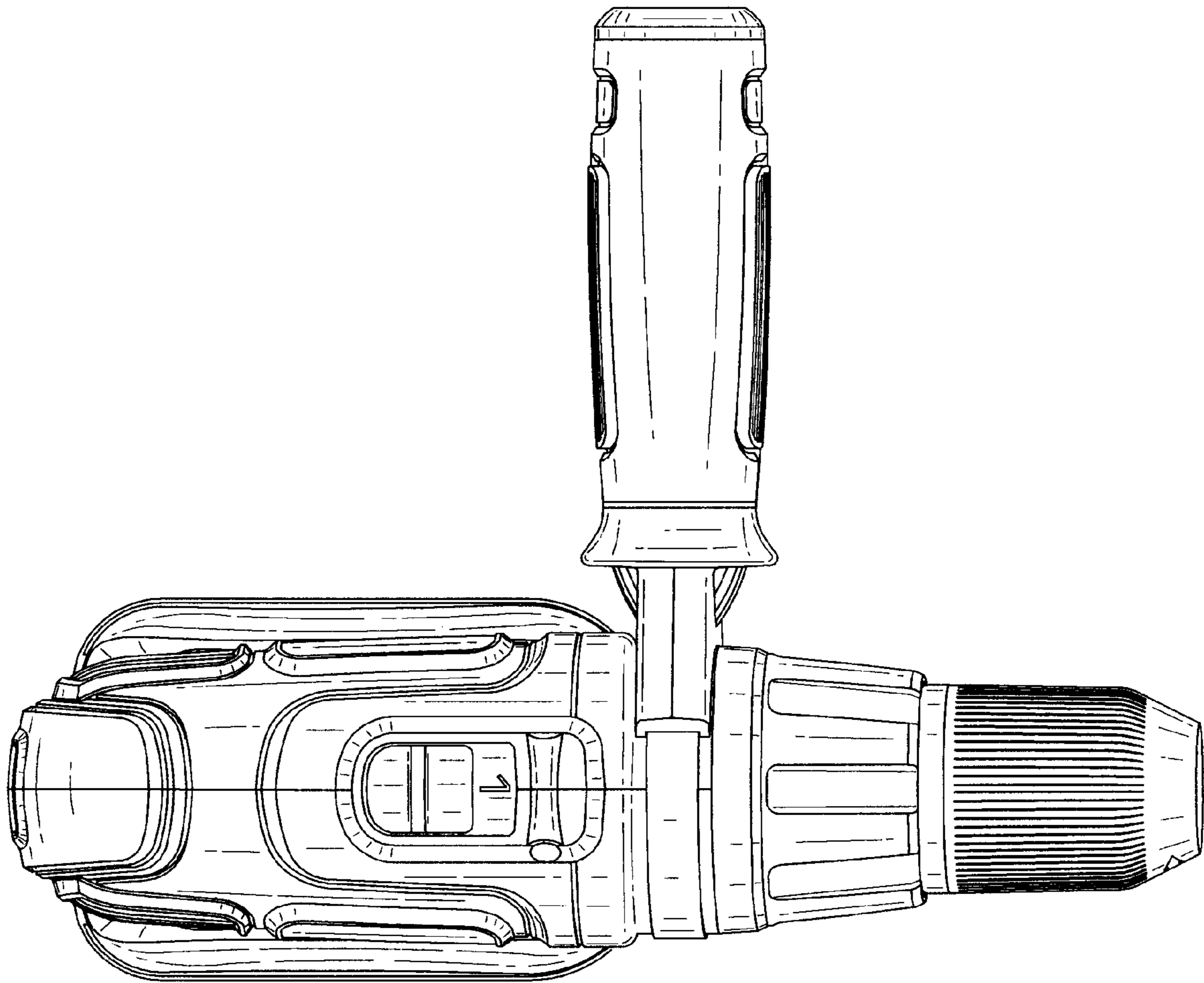


FIG.4

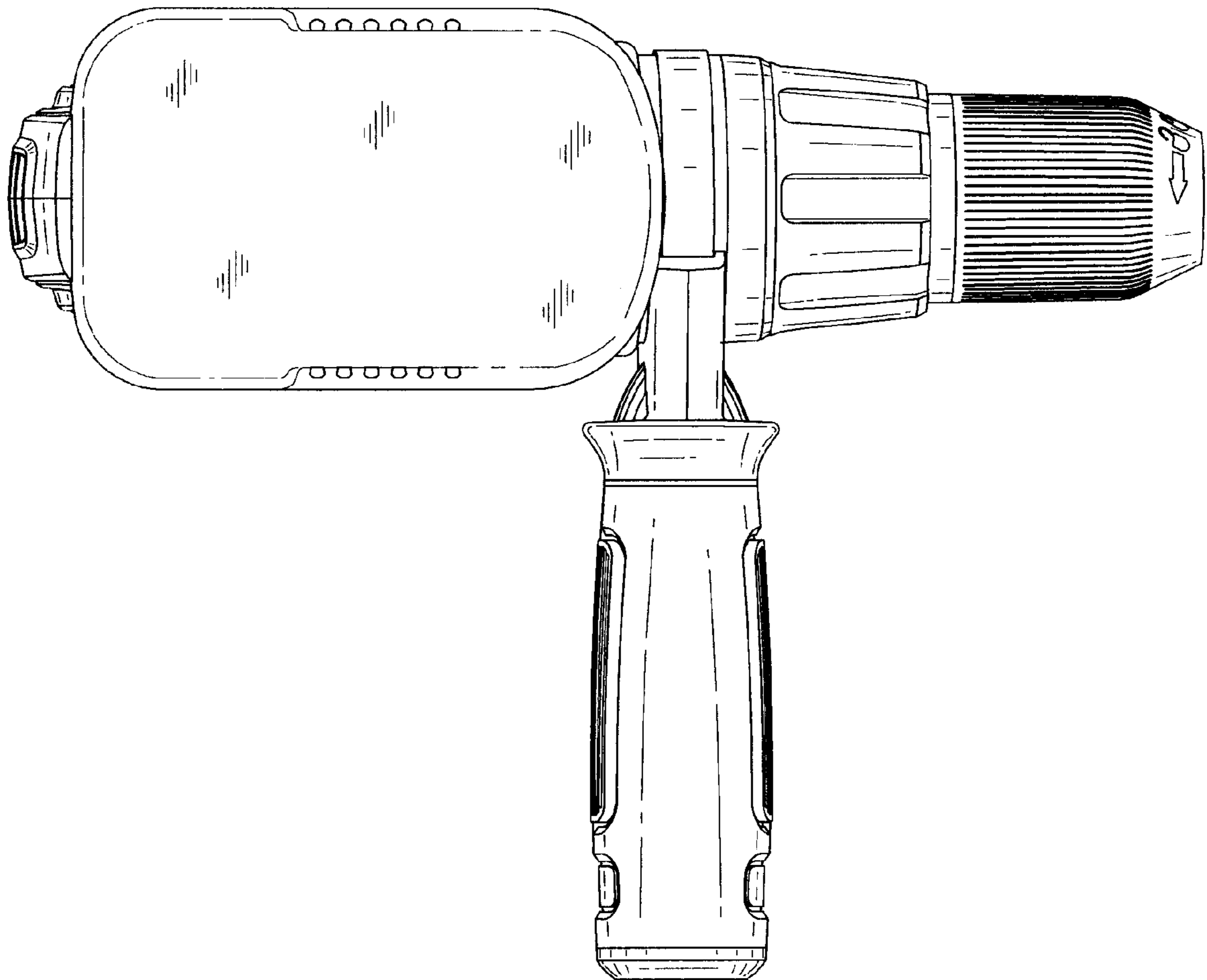


FIG.5

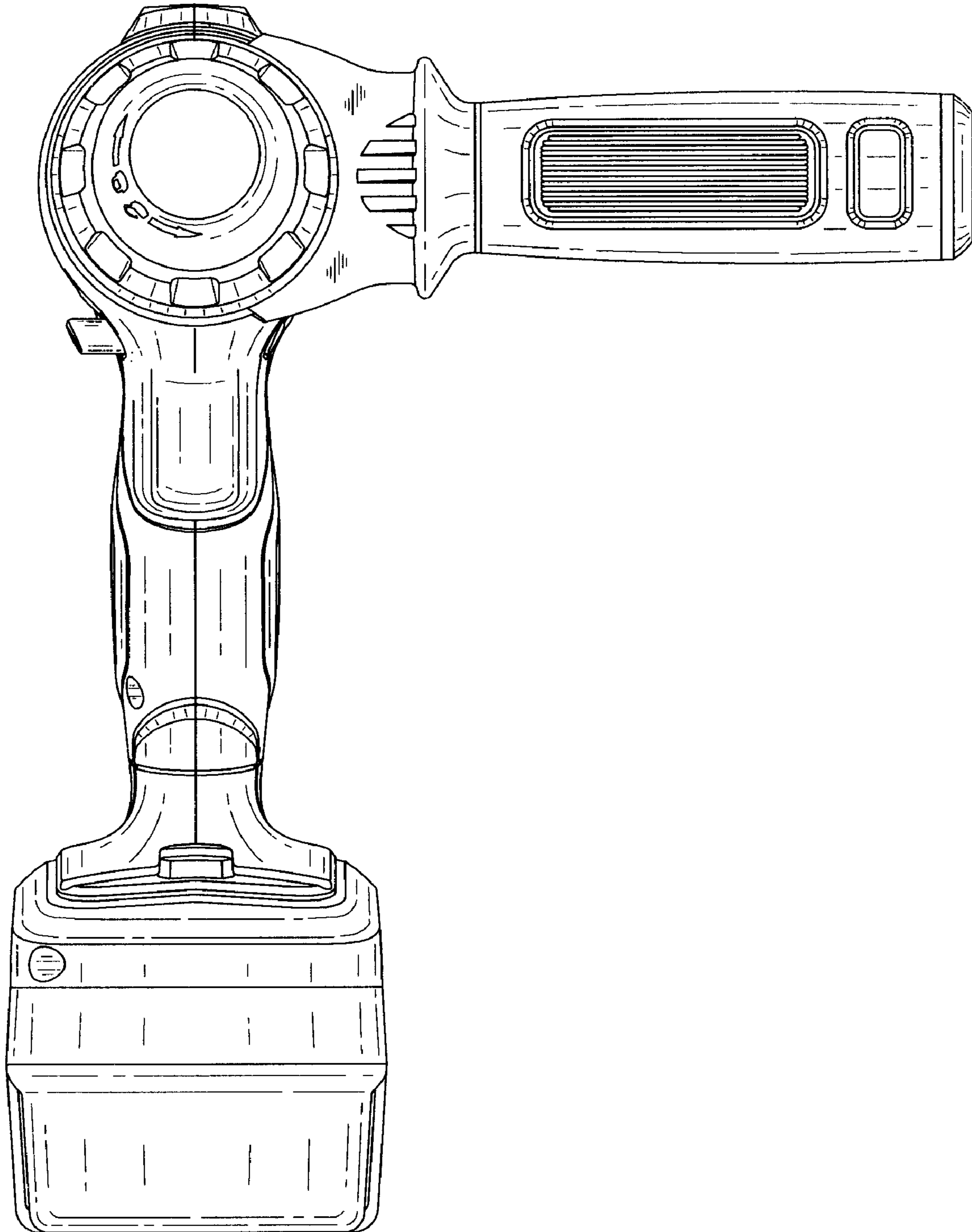


FIG.6

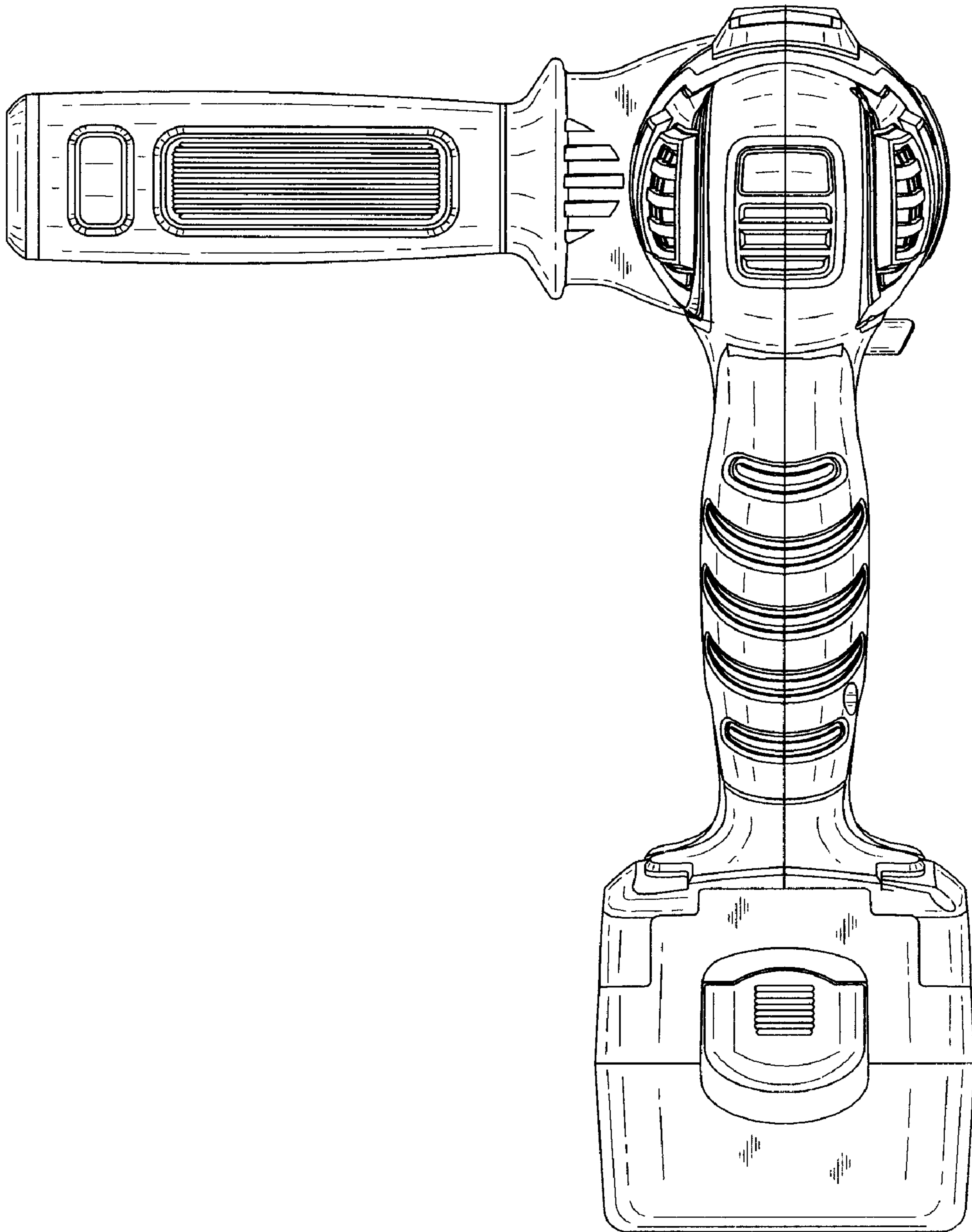


FIG.7

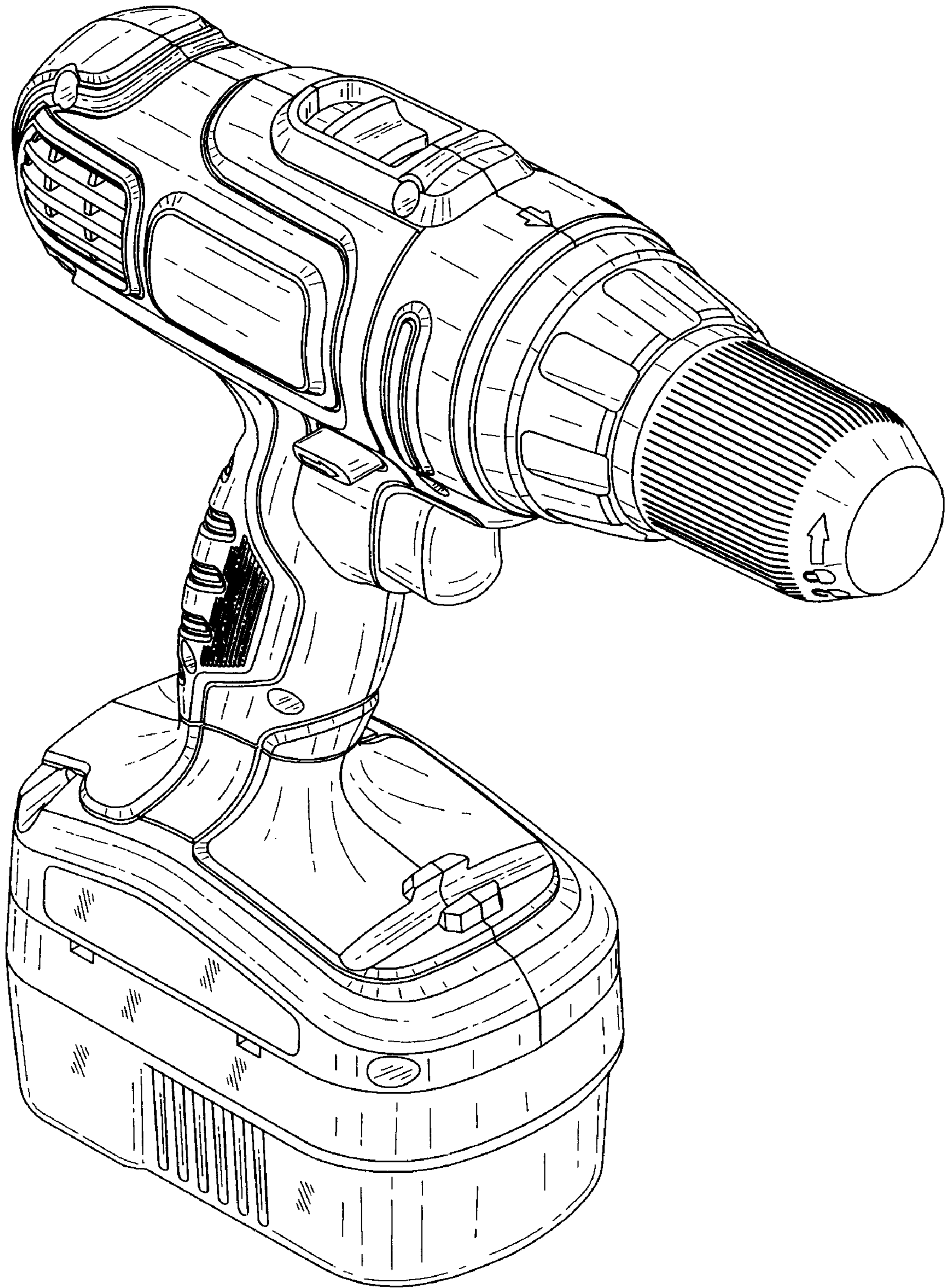


FIG. 8

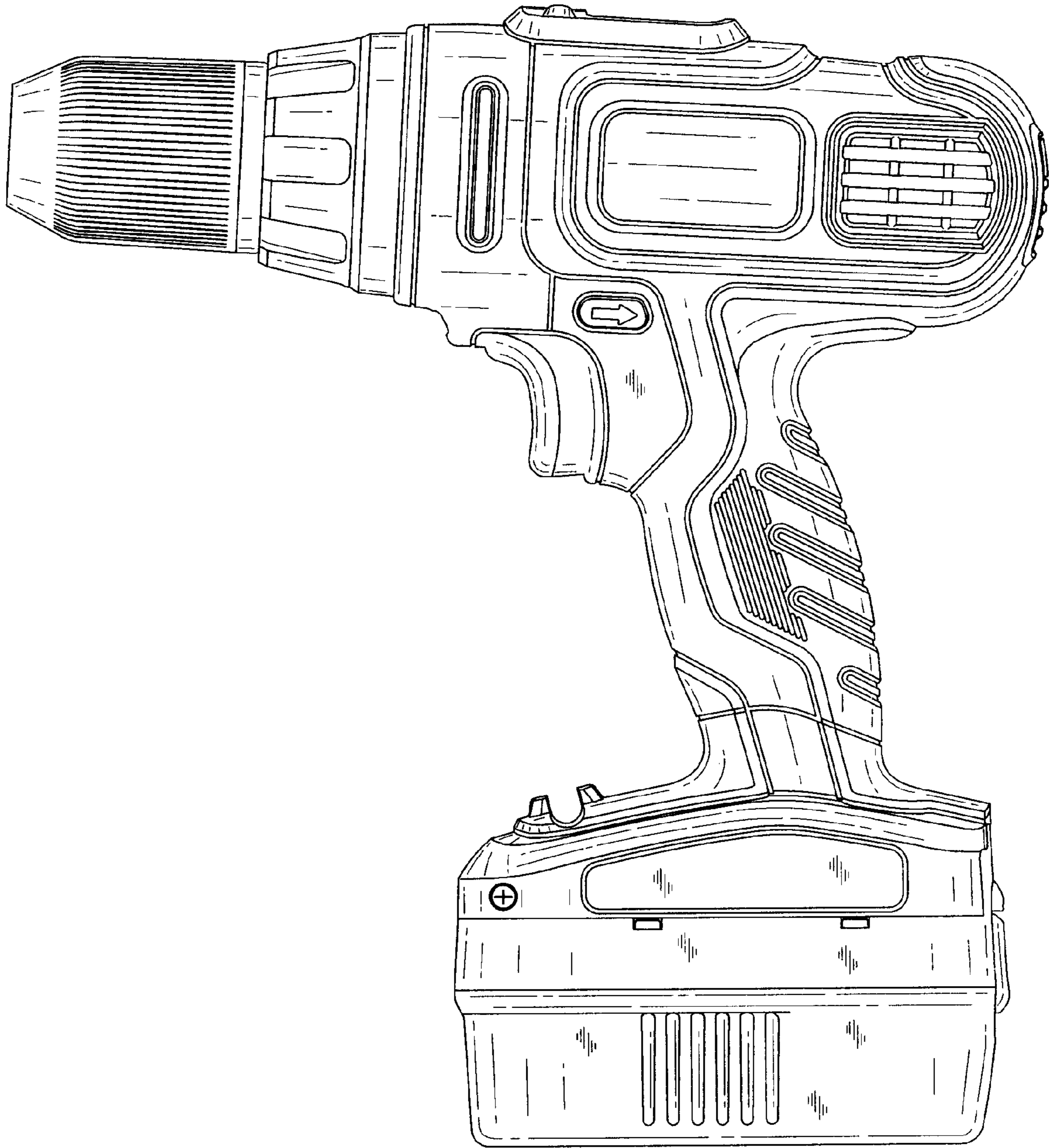


FIG.9

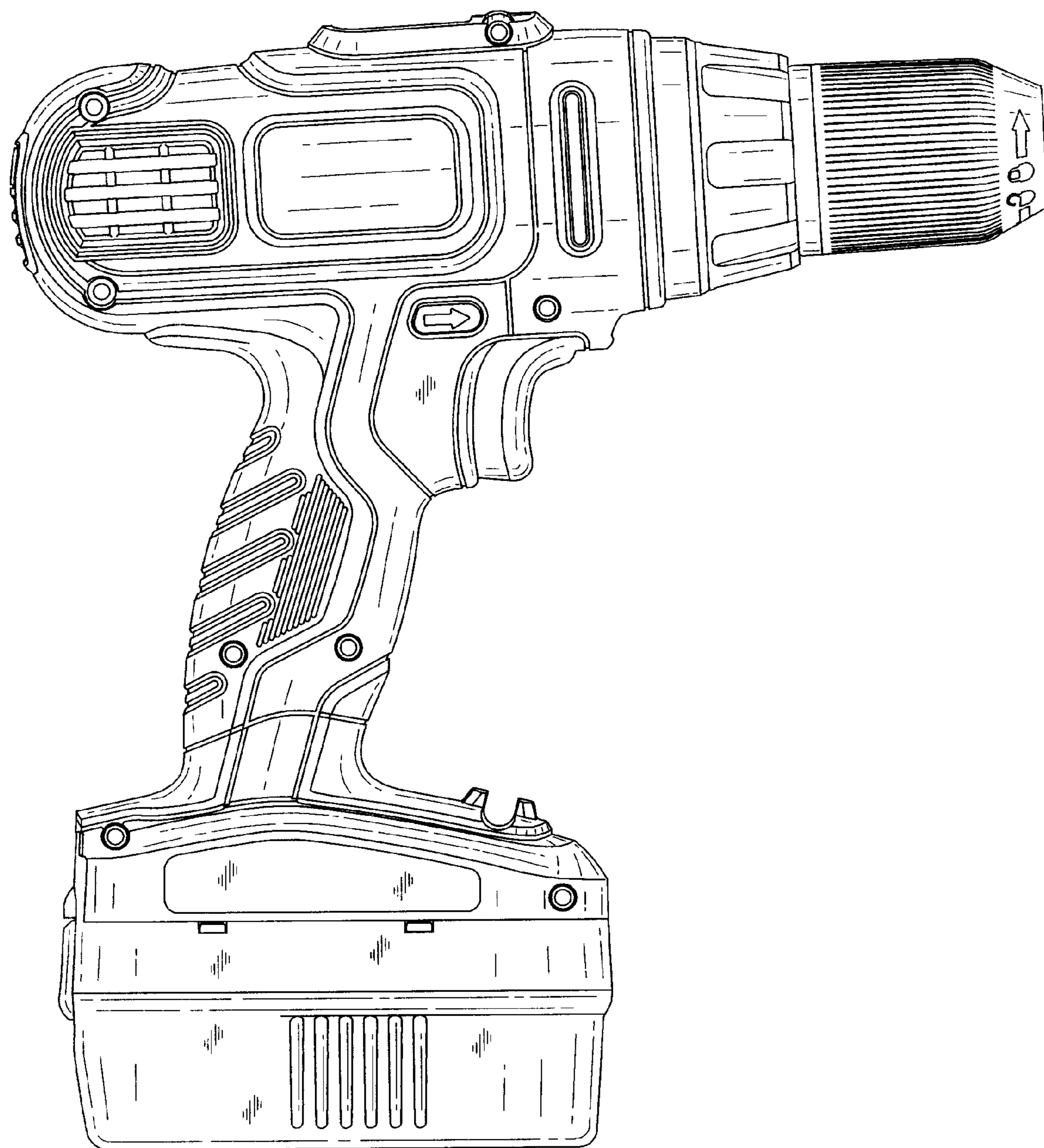


FIG.10

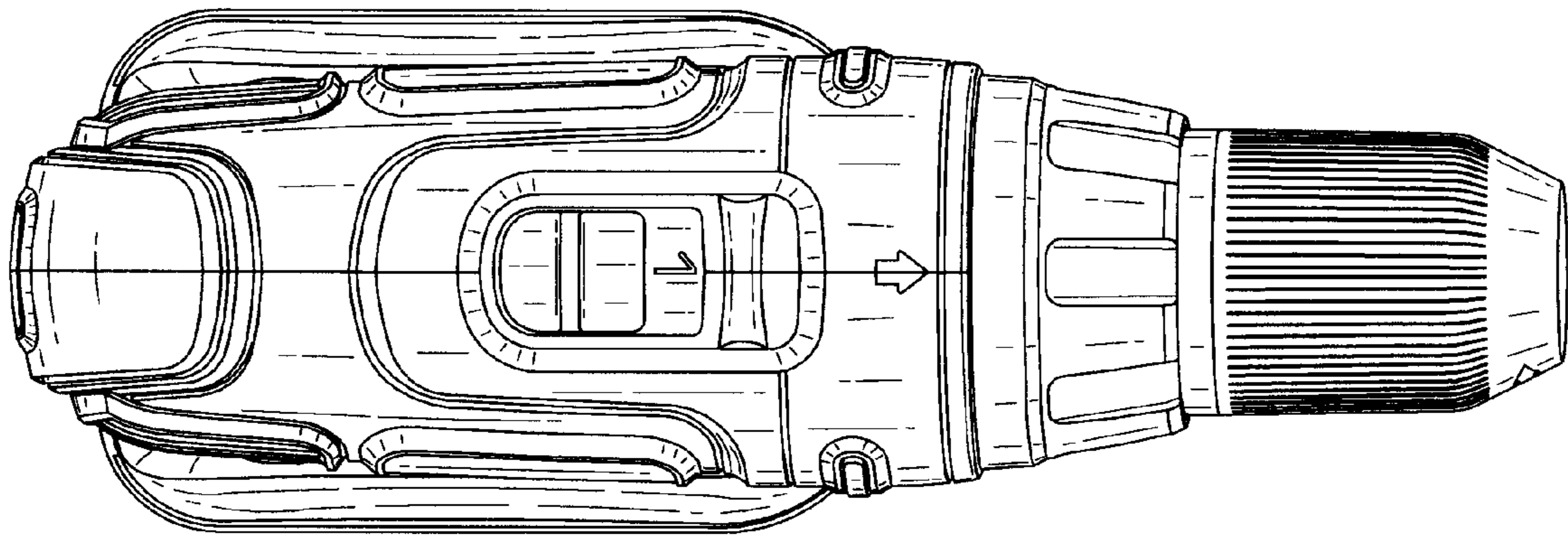


FIG.11

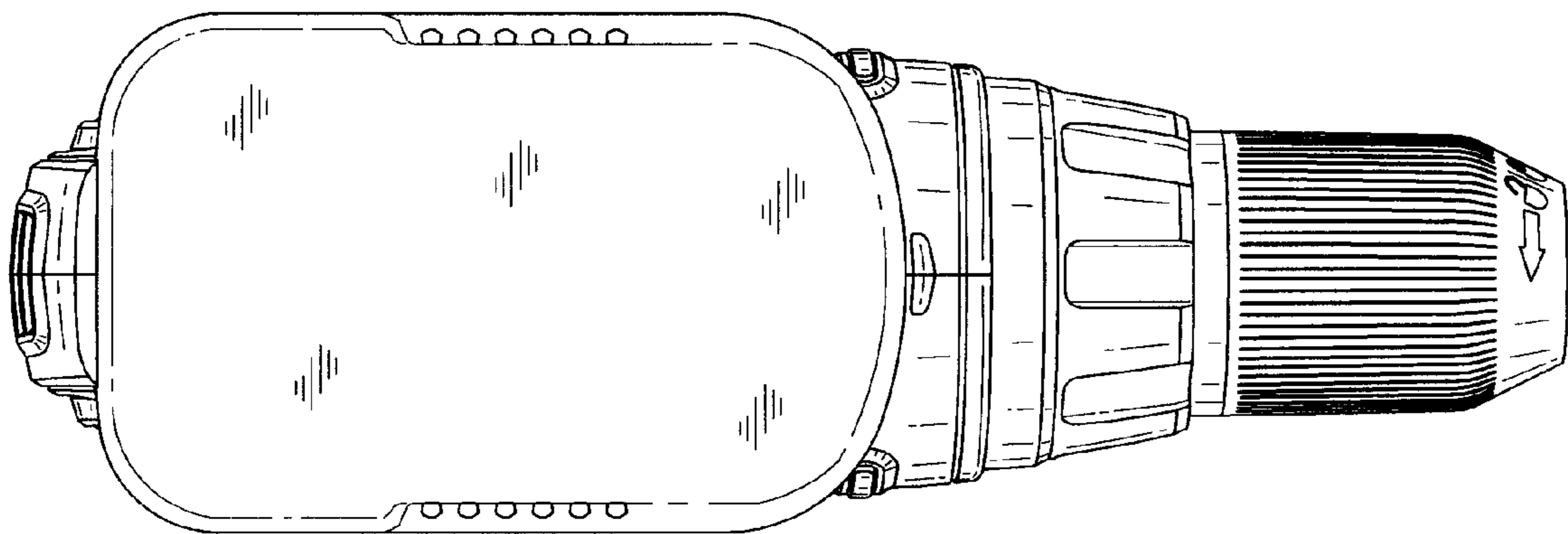


FIG.12

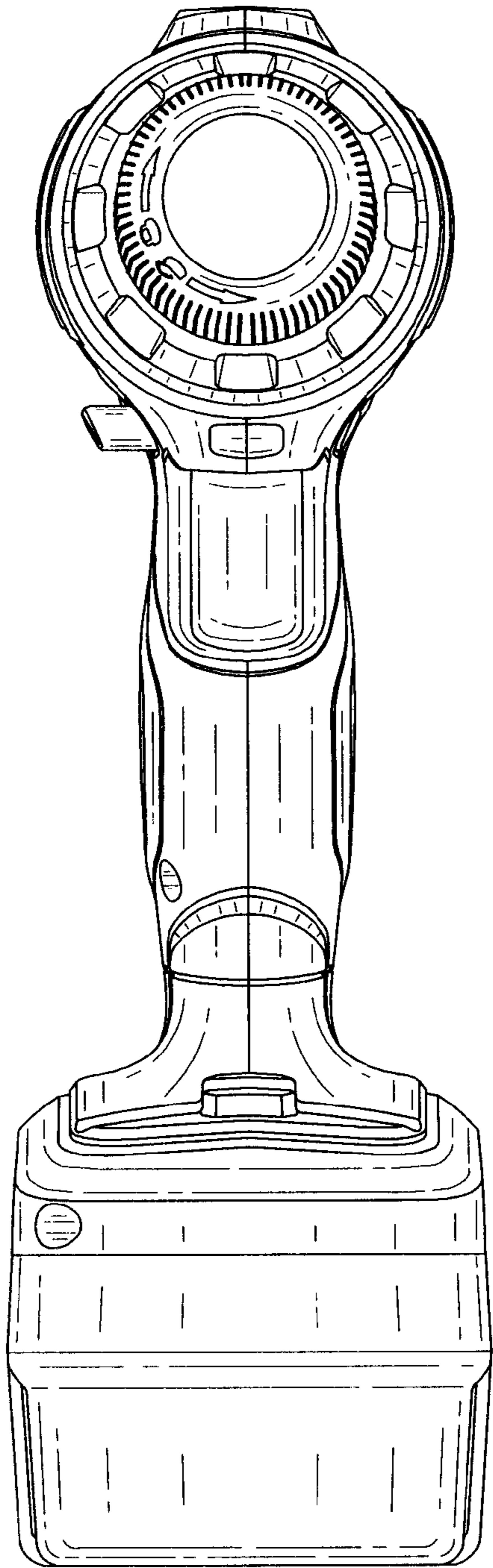


FIG. 13

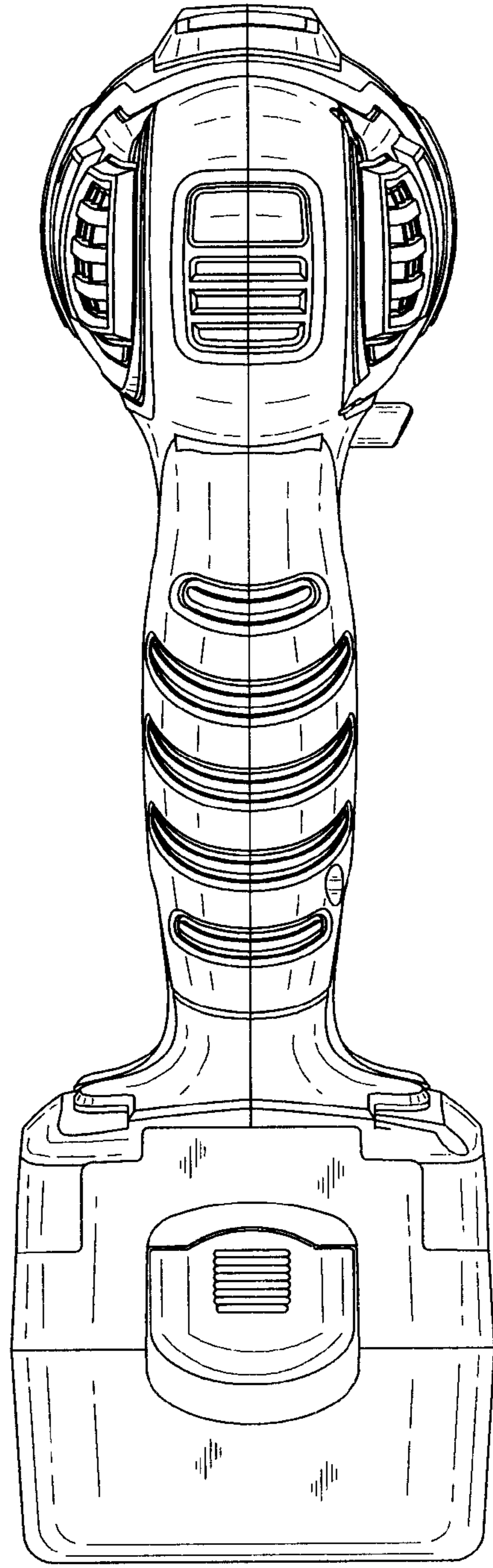


FIG. 14