



US00D610422S

(12) **United States Design Patent**
Houghton

(10) **Patent No.:** **US D610,422 S**
(45) **Date of Patent:** **** Feb. 23, 2010**

(54) **DRILL**
(75) Inventor: **Stephen Houghton**, Newcastle upon Tyne (GB)
(73) Assignee: **Black & Decker Inc.**, Newark, DE (US)
(**) Term: **14 Years**
(21) Appl. No.: **29/334,106**
(22) Filed: **Mar. 20, 2009**

DE	M9604586	2/1997
DE	M9605995	2/1997
DE	MR49902246	10/1999
DE	MR49911374	5/2000
DE	MR40101678	8/2001
DE	MR40209691	4/2003
DE	40304287	1/2004
DE	40304892	4/2004
DE	40603511	1/2007
EM	000136874	5/2004
EM	000192109-0001	8/2004
EM	000192109-0002	8/2004
EM	000192109-0003	8/2004

(30) **Foreign Application Priority Data**
Oct. 3, 2008 (EM) 001014294-0001

(51) **LOC (9) Cl.** **08-01**
(52) **U.S. Cl.** **D8/68**
(58) **Field of Classification Search** D8/14.1,
D8/61-70; 81/57.11, 429, 454-456, 469,
81/489; 173/13, 104, 114, 168-171, 178,
173/201, 211, 213, 217; 408/20, 124, 125,
408/234, 241 R; 451/358; 310/50; 227/8,
227/113, 114, 120, 130, 136, 142
See application file for complete search history.

(56) **References Cited**
U.S. PATENT DOCUMENTS
D491,437 S * 6/2004 Bian D8/68
6,796,921 B1 * 9/2004 Buck et al. 475/299
7,066,691 B2 * 6/2006 Doyle et al. 408/124
7,150,587 B2 * 12/2006 Dils et al. 408/16
D587,544 S * 3/2009 Lopano D8/68
D593,831 S * 6/2009 Van Wambeke et al. D8/68

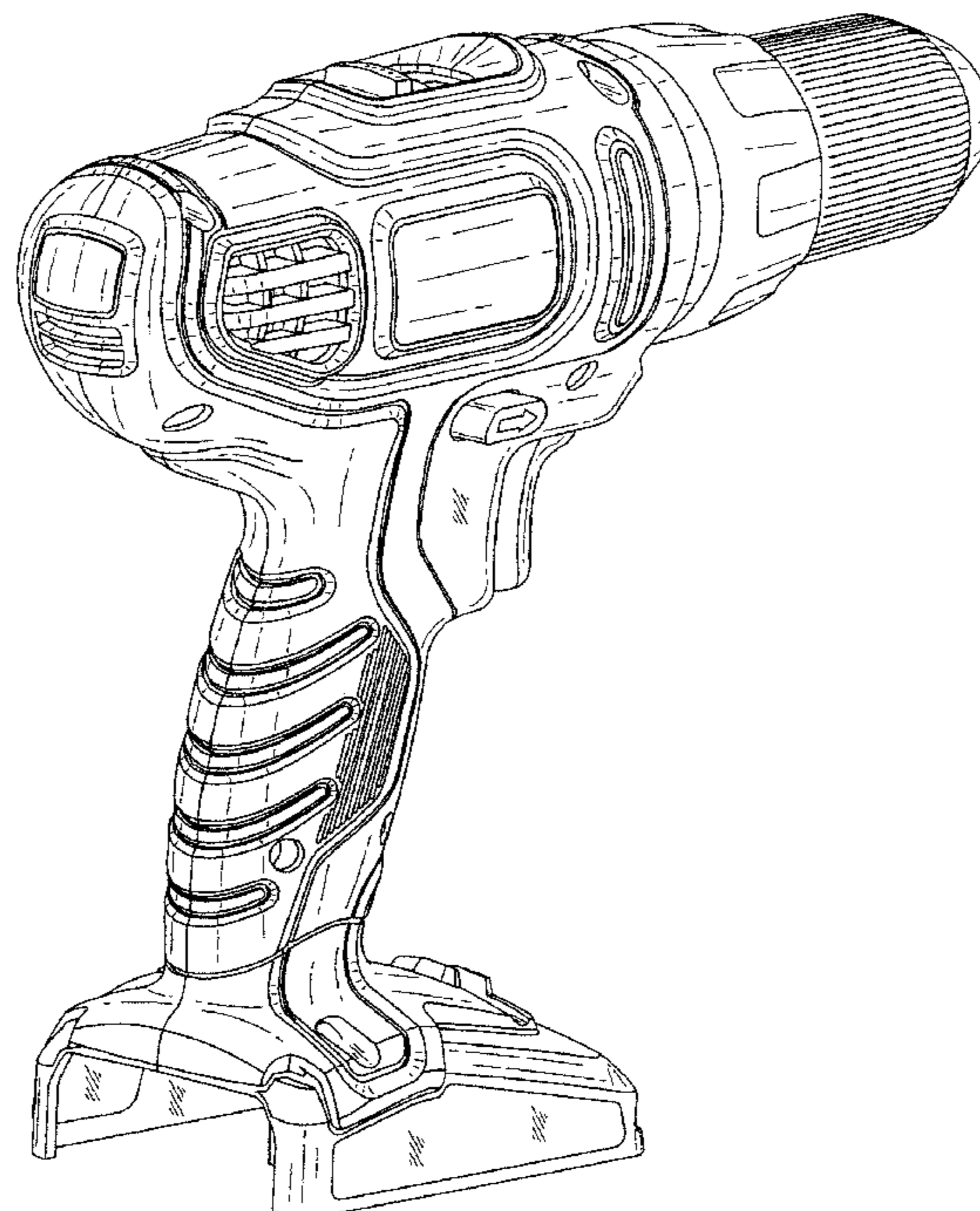
FOREIGN PATENT DOCUMENTS
DE M9602972 12/1996

* cited by examiner
Primary Examiner—Antoine D Davis
(74) *Attorney, Agent, or Firm*—Bruce S. Shapiro; John Yun; Wesley W. Muller

(57) **CLAIM**
The ornamental design for a drill, as shown and described.

DESCRIPTION
FIG. 1 is a right/rear perspective view of my new design.
FIG. 2 is a left side view thereof.
FIG. 3 is a right side view thereof.
FIG. 4 is a top view thereof.
FIG. 5 is a bottom view thereof.
FIG. 6 is a front view thereof; and,
FIG. 7 is a rear view thereof.

1 Claim, 5 Drawing Sheets



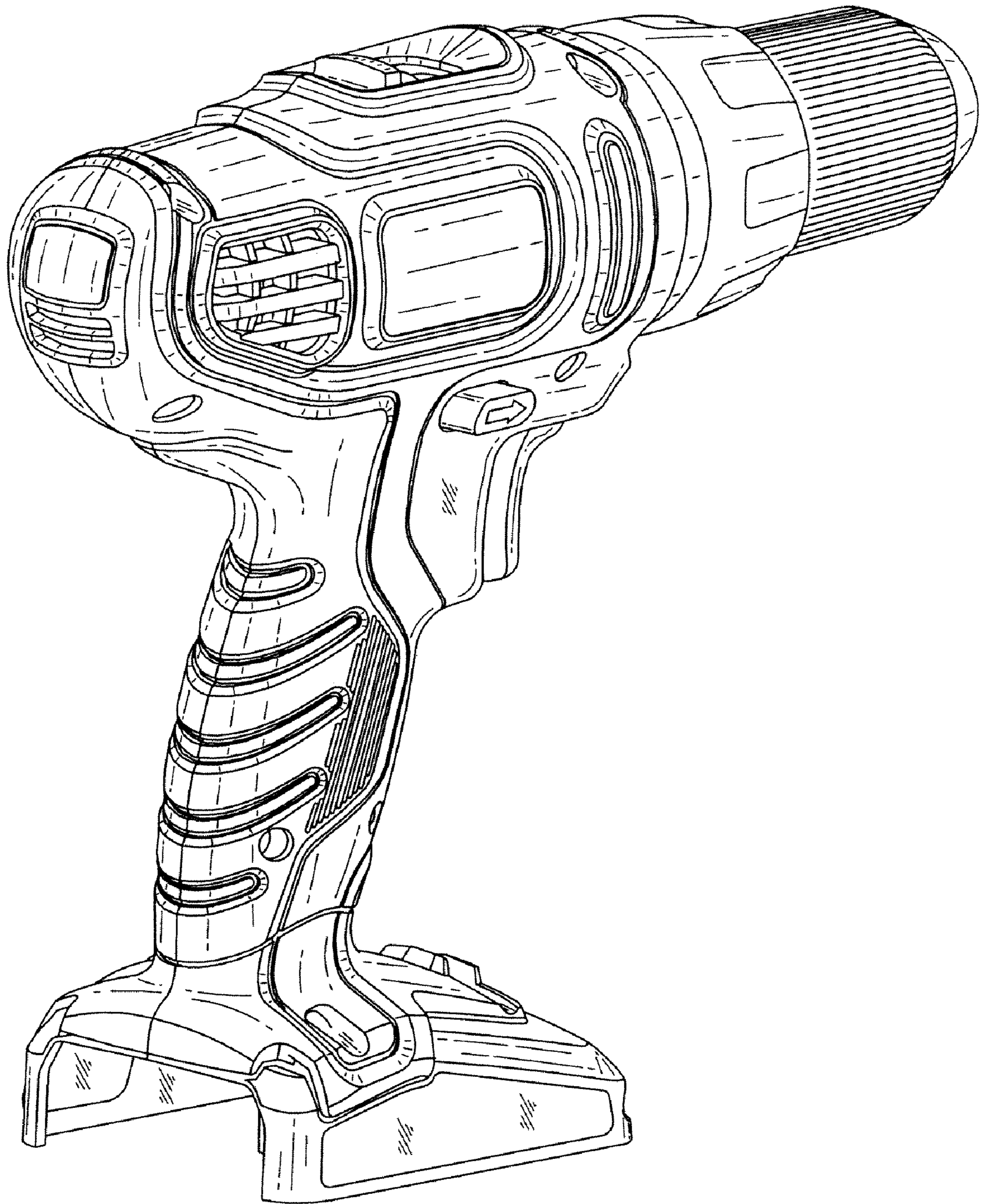


FIG.1

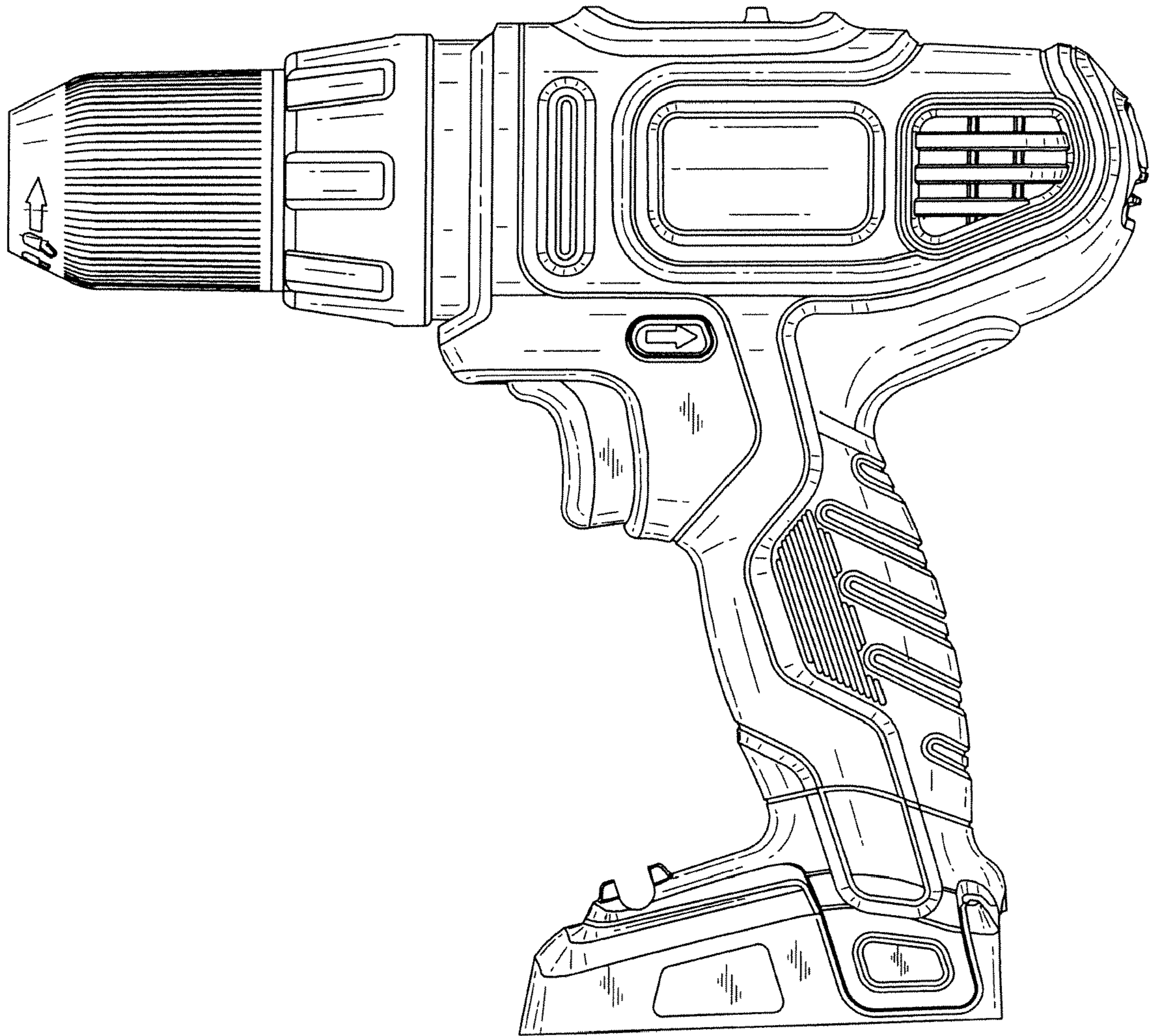


FIG.2

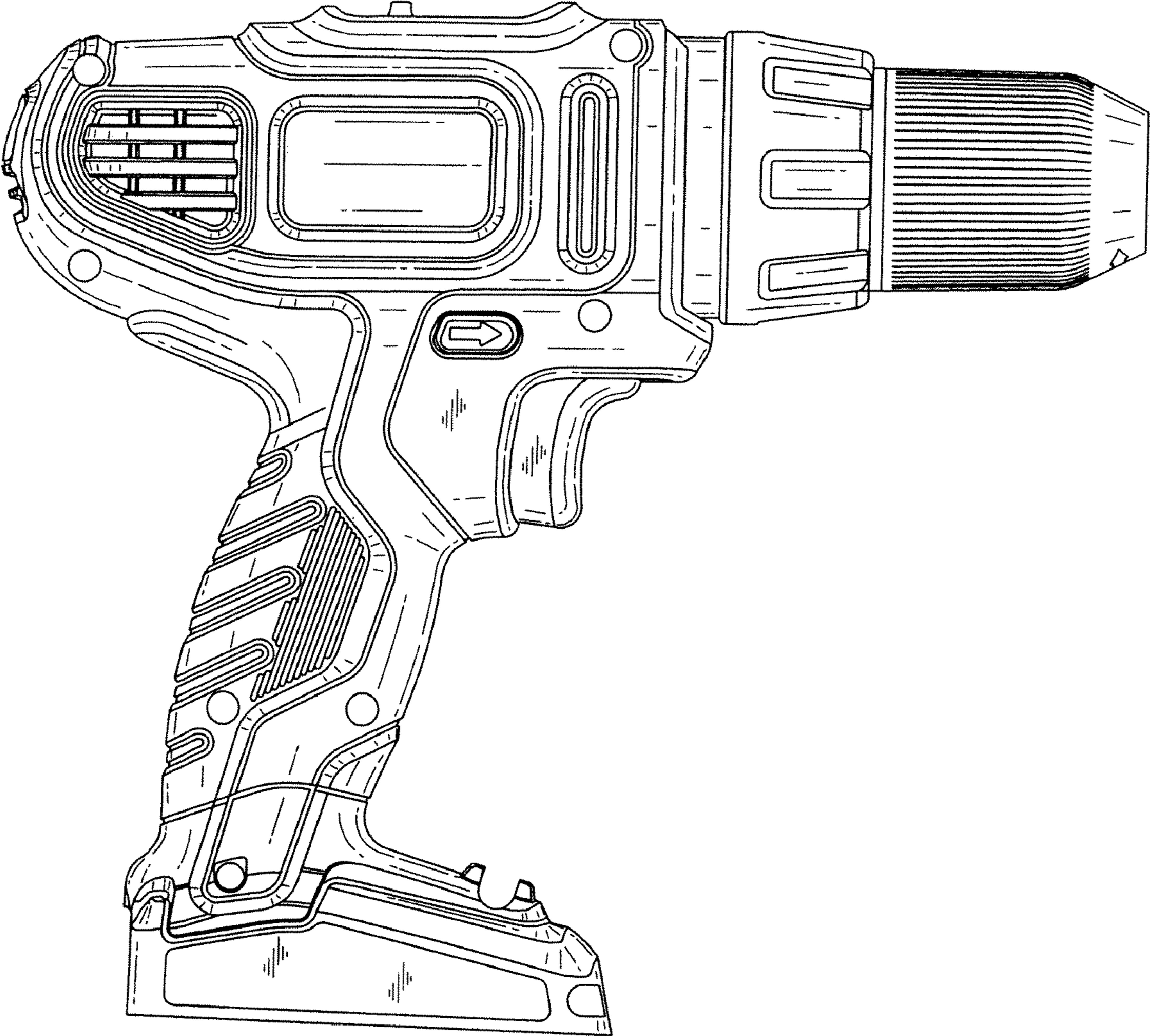


FIG.3

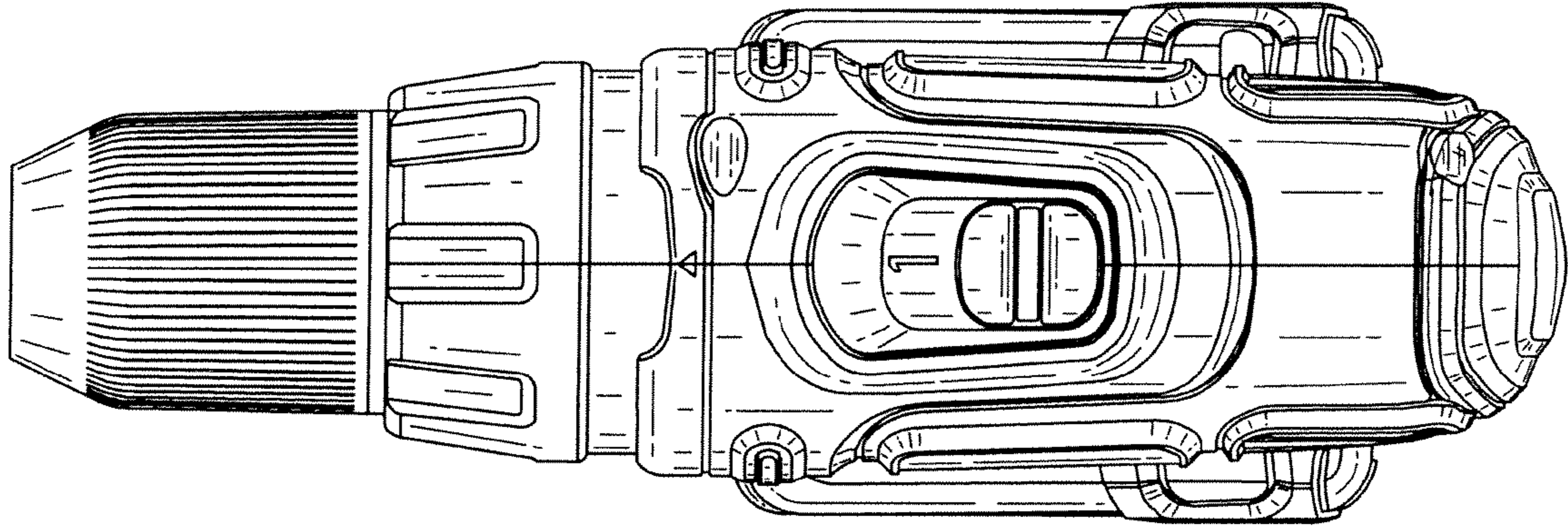


FIG. 4

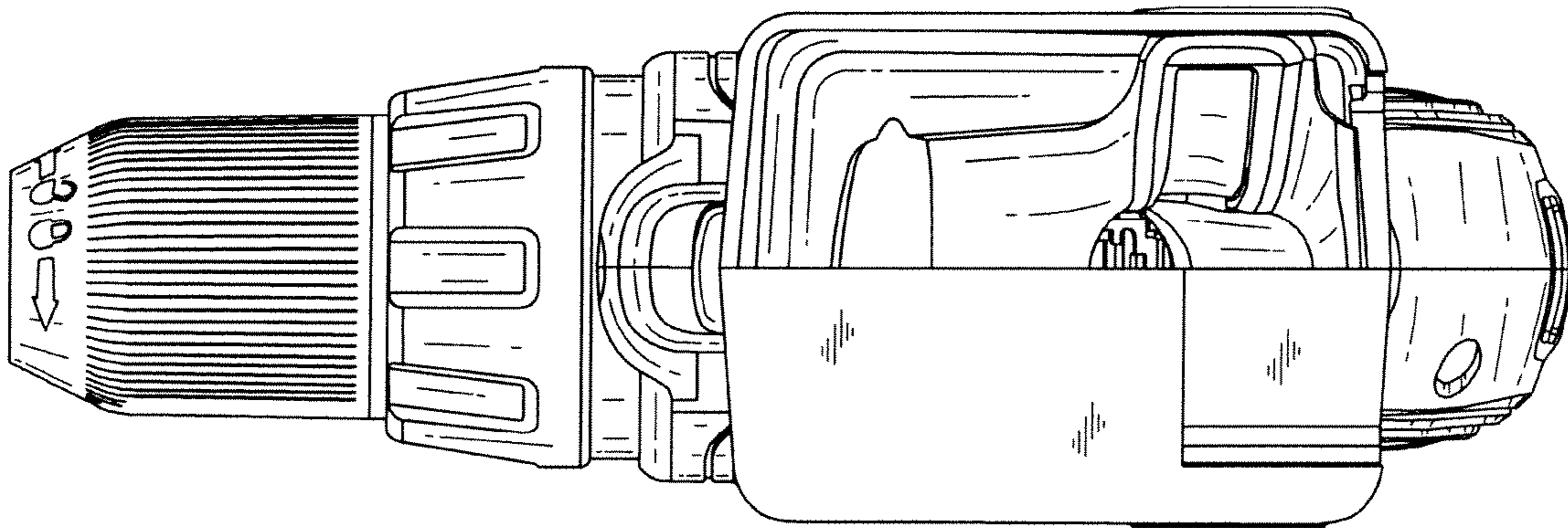


FIG. 5

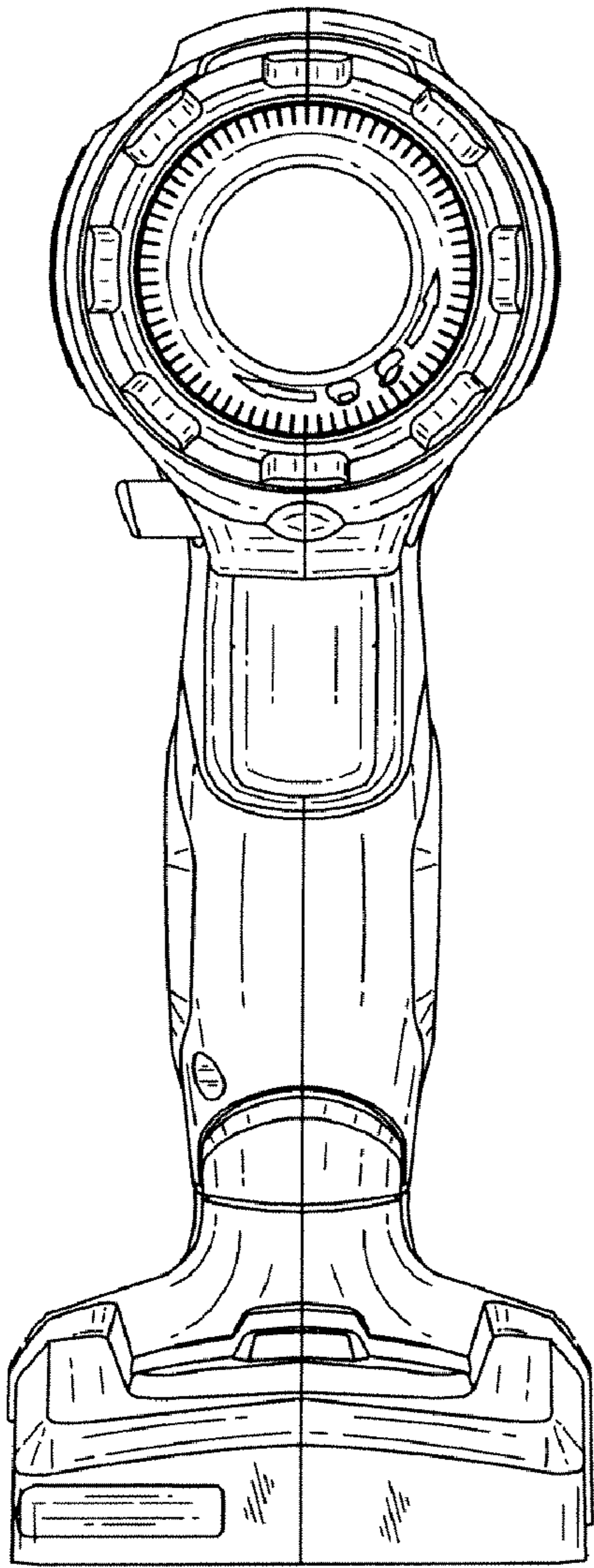


FIG. 6

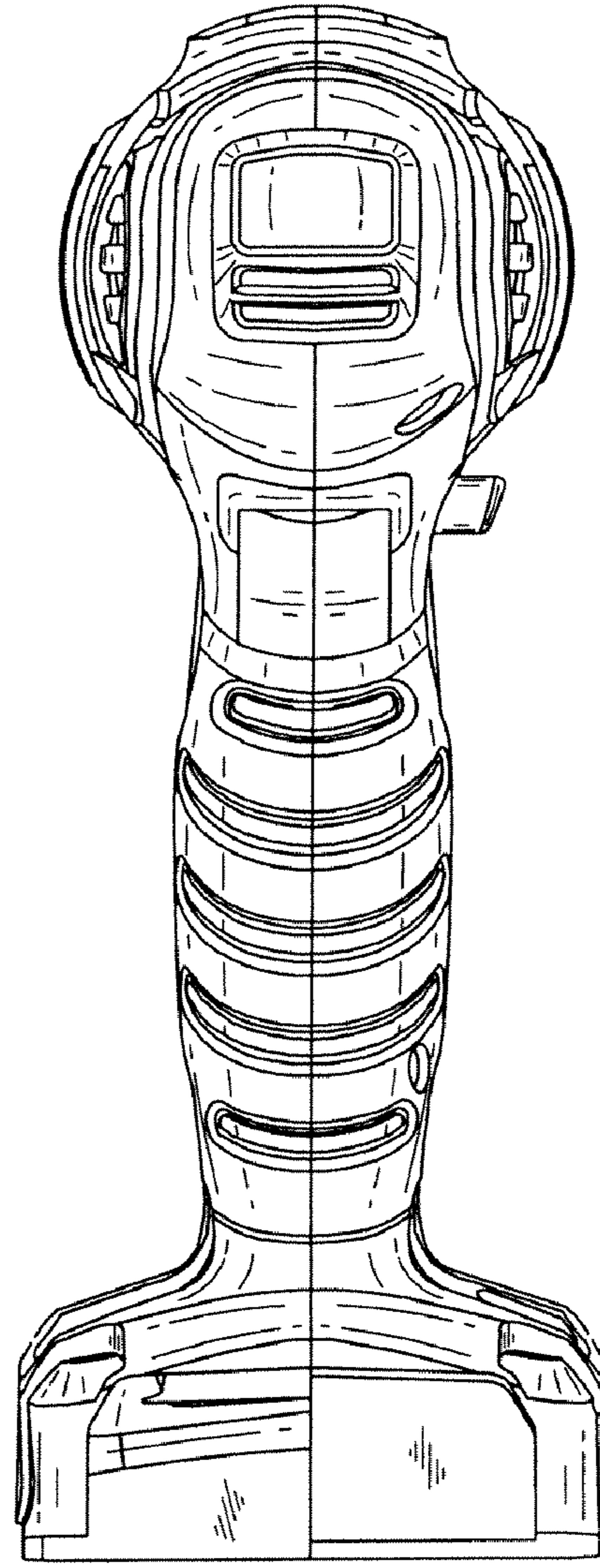


FIG. 7