



US00D610416S

(12) **United States Design Patent**
Kushner et al.

(10) **Patent No.:** **US D610,416 S**

(45) **Date of Patent:** **** Feb. 23, 2010**

(54) **CORKSCREW**

(75) Inventors: **Robert Gerald Kushner**, Flat G, Block G, Merry Terrace, 4 Seymour Road, Mid-Levels (HK); **Oliver Breit**, Mid Levels (HK); **Borislav Popov**, Tin Hau (HK)

(73) Assignee: **Robert Gerald Kushner**, Wan Chai (HK)

(**) Term: **14 Years**

(21) Appl. No.: **29/314,516**

(22) Filed: **Apr. 7, 2009**

(51) **LOC (9) Cl.** **07-99**

(52) **U.S. Cl.** **D8/42**

(58) **Field of Classification Search** D8/14,
D8/18, 33-43; 7/151-156; 81/3.07, 3.09,
81/3.2, 3.27, 3.29, 3.35, 3.37, 3.4, 3.45, 3.48,
81/3.49, 3.55

See application file for complete search history.

(56) **References Cited**

U.S. PATENT DOCUMENTS

1,520,670	A *	12/1924	Appel	7/156
D459,174	S *	6/2002	De Bergen	D8/41
D464,546	S *	10/2002	Mauffette	D8/40
D477,757	S *	7/2003	Yu	D8/42
D491,429	S *	6/2004	Simons	D8/42
D498,651	S *	11/2004	Bates et al.	D8/42
D505,848	S *	6/2005	Lee	D8/42
D520,314	S *	5/2006	Sun	D8/42

D526,866	S *	8/2006	Bates et al.	D8/42
D558,545	S *	1/2008	Chan et al.	D8/42
D558,546	S *	1/2008	Chan et al.	D8/42
7,370,556	B2 *	5/2008	Sun	81/3.29
2004/0231465	A1 *	11/2004	Yu	81/3.29

* cited by examiner

Primary Examiner—Caron Veynar

Assistant Examiner—Garth Rademaker

(74) *Attorney, Agent, or Firm*—Stuart Whittington, Esq.

(57) **CLAIM**

The ornamental design for a corkscrew, as shown and described.

DESCRIPTION

FIG. 1 is a front, side and bottom view of a corkscrew, showing our new design;

FIG. 2 is a front elevation view thereof, shown in a second position of use;

FIG. 3 is a front view thereof, shown in a third position of use;

FIG. 4 is a back view thereof, shown in the second position of use;

FIG. 5 is a right side view thereof;

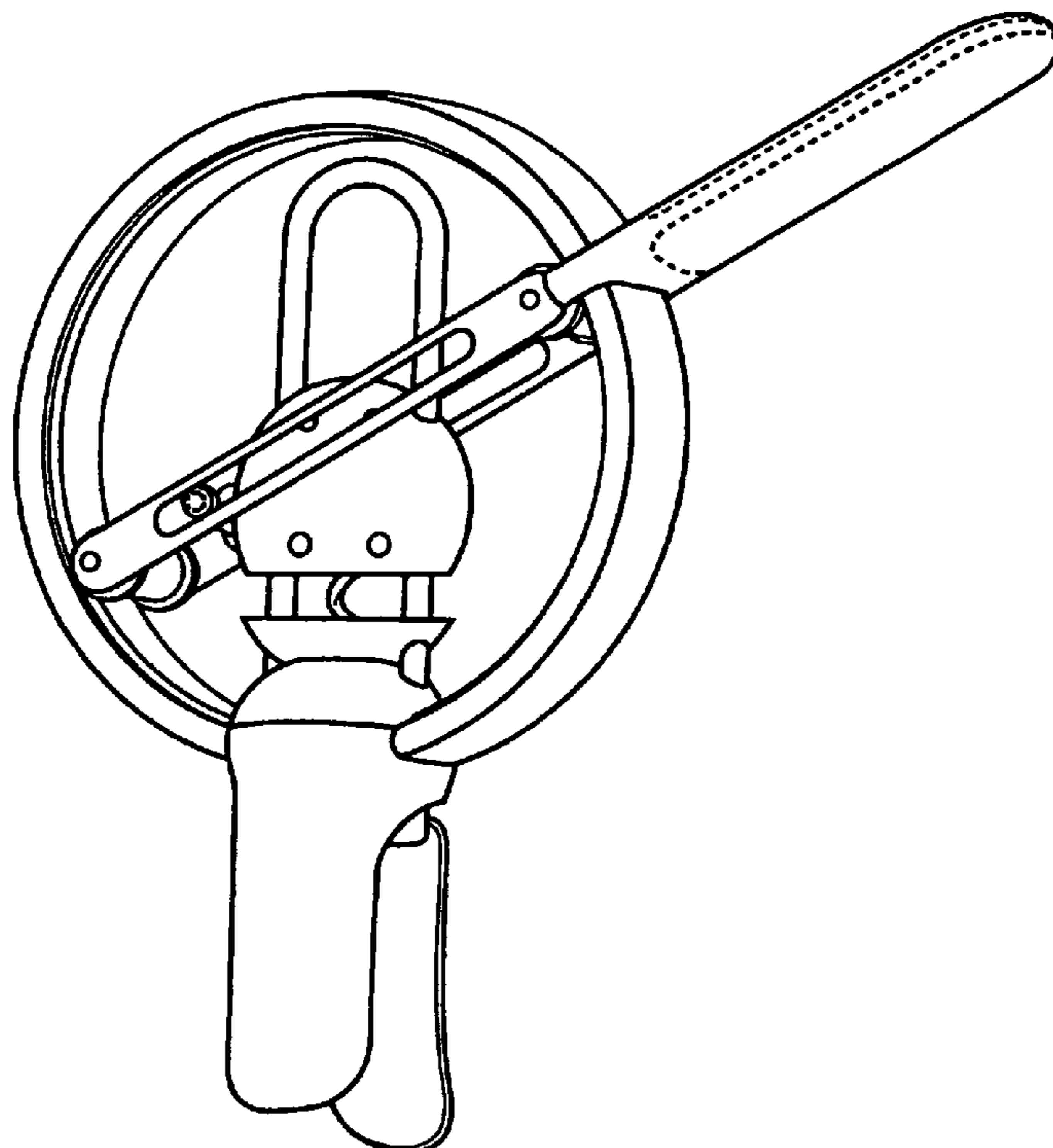
FIG. 6 is a left side view thereof;

FIG. 7 is a top view thereof; and,

FIG. 8 is a bottom view thereof.

The broken lines in the Figures depict environmental subject matter and form no part of the claimed design.

1 Claim, 6 Drawing Sheets



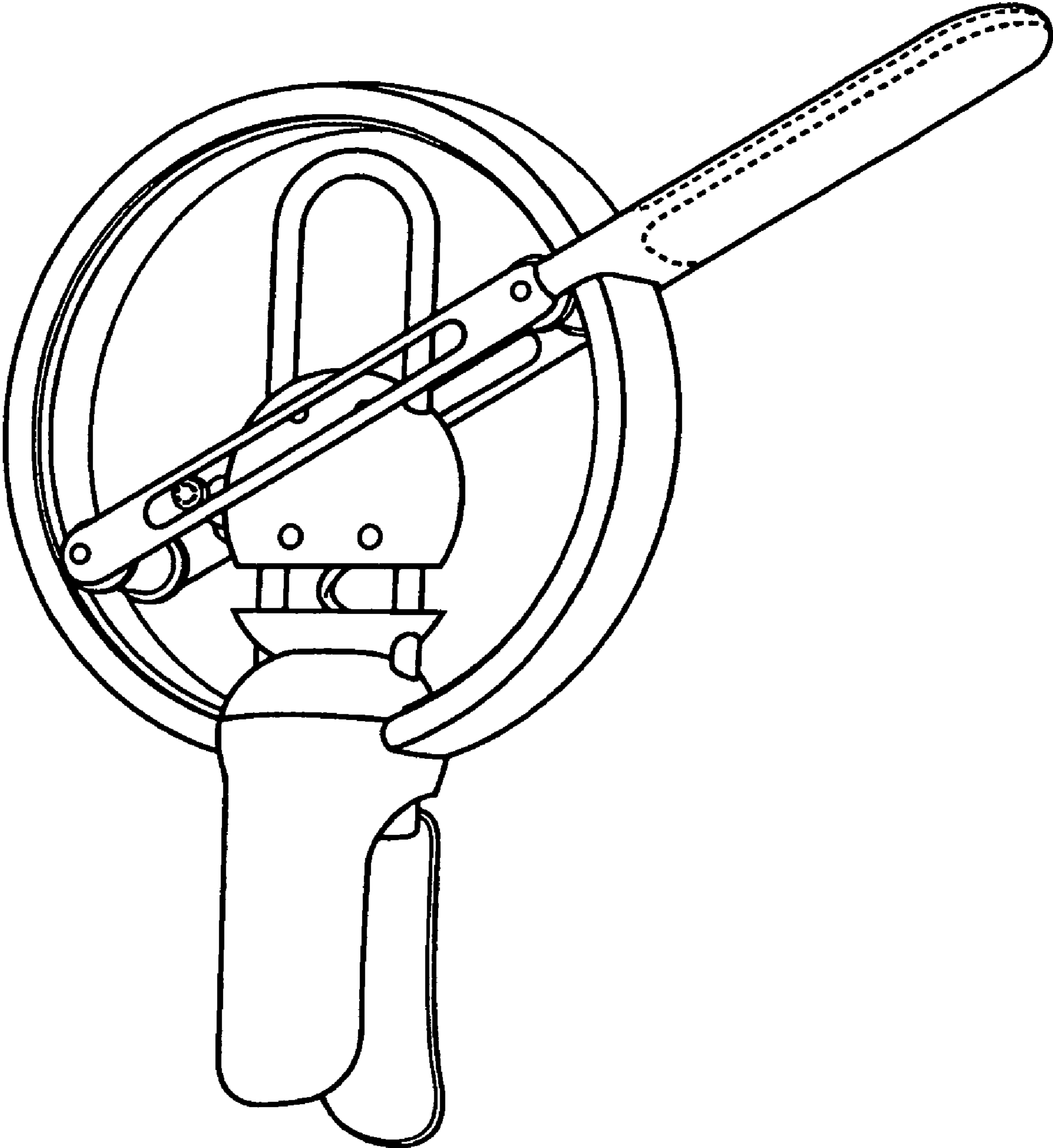


Fig. 1

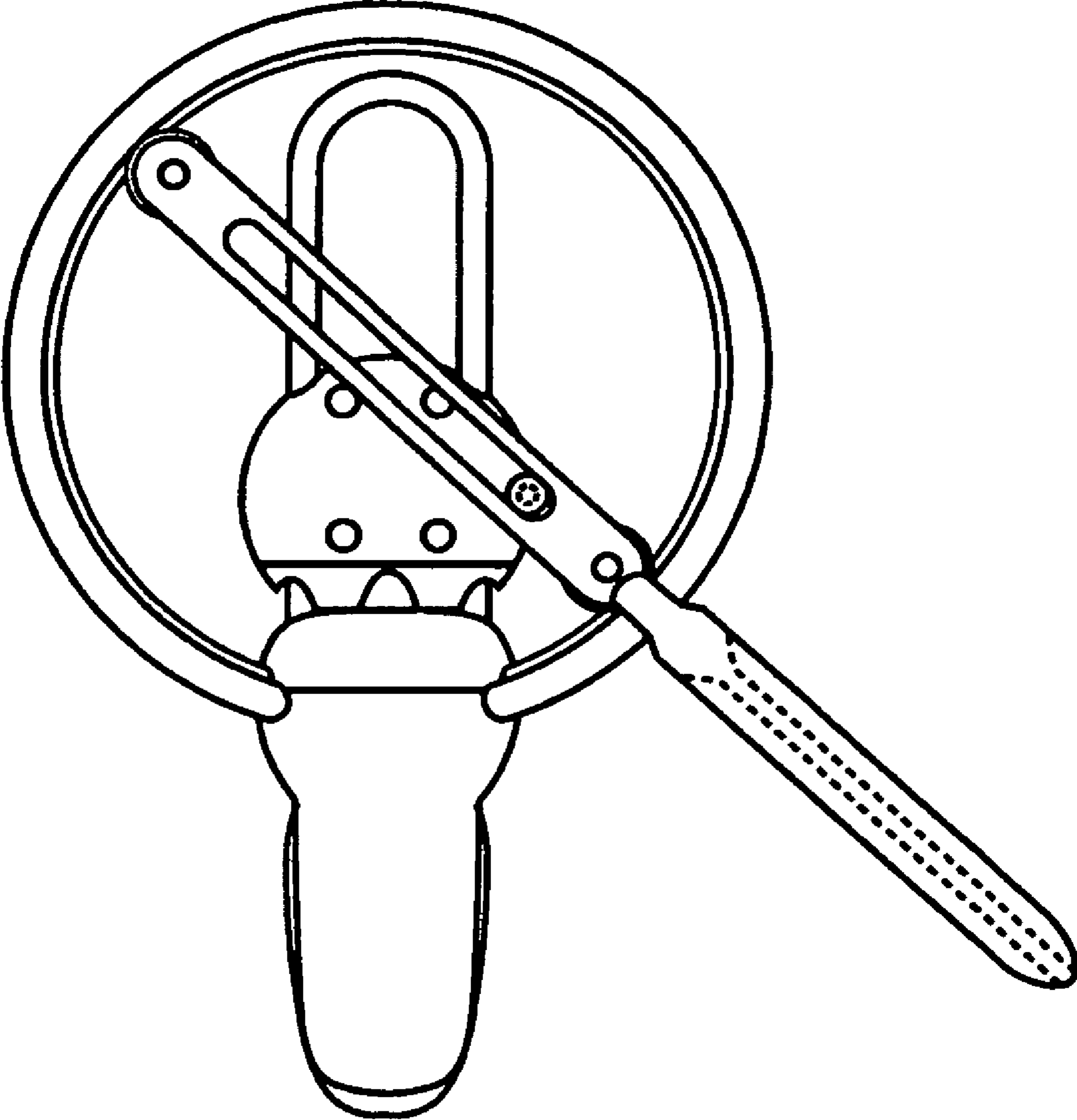


Fig. 2

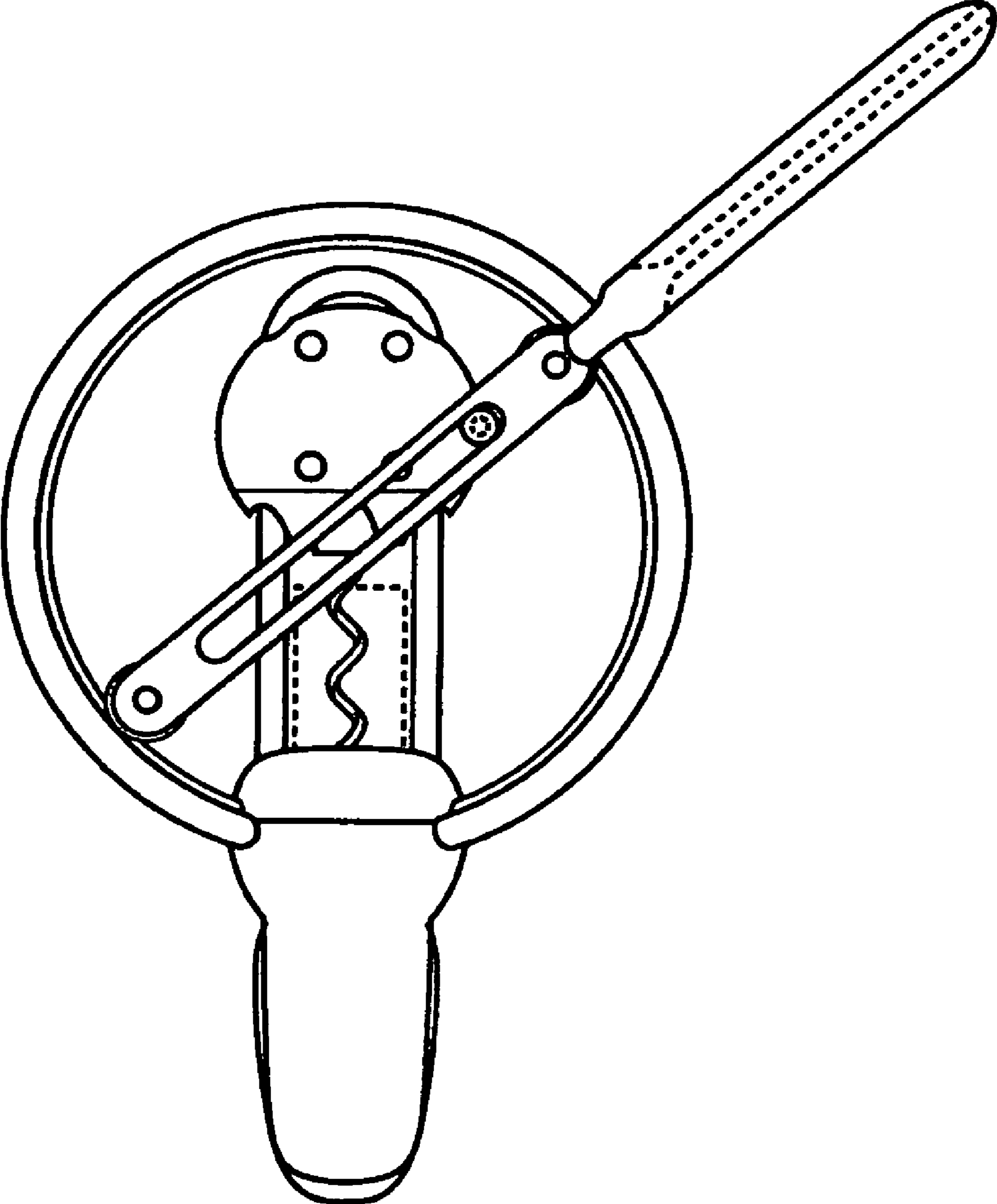


Fig. 3

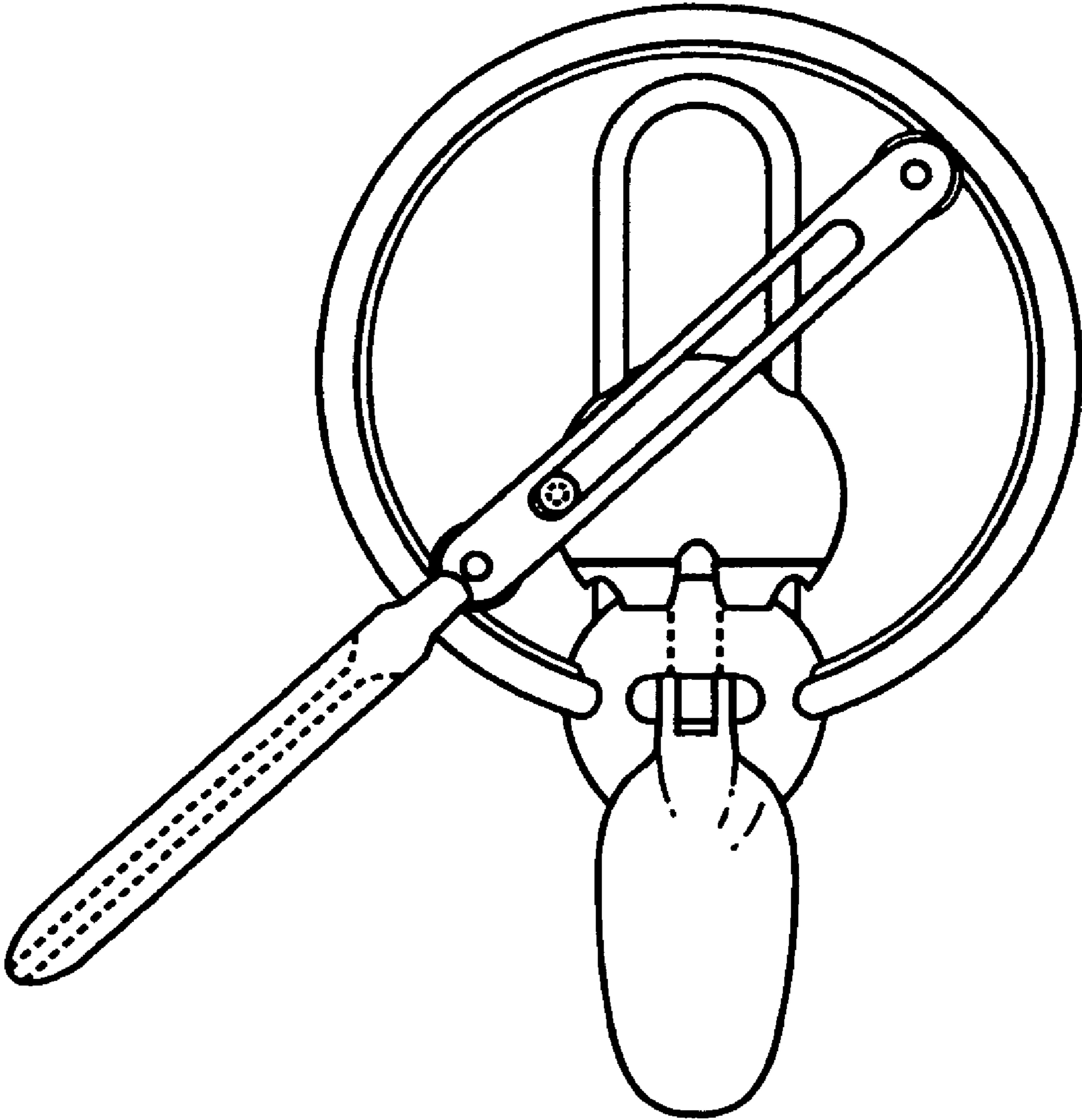


Fig. 4

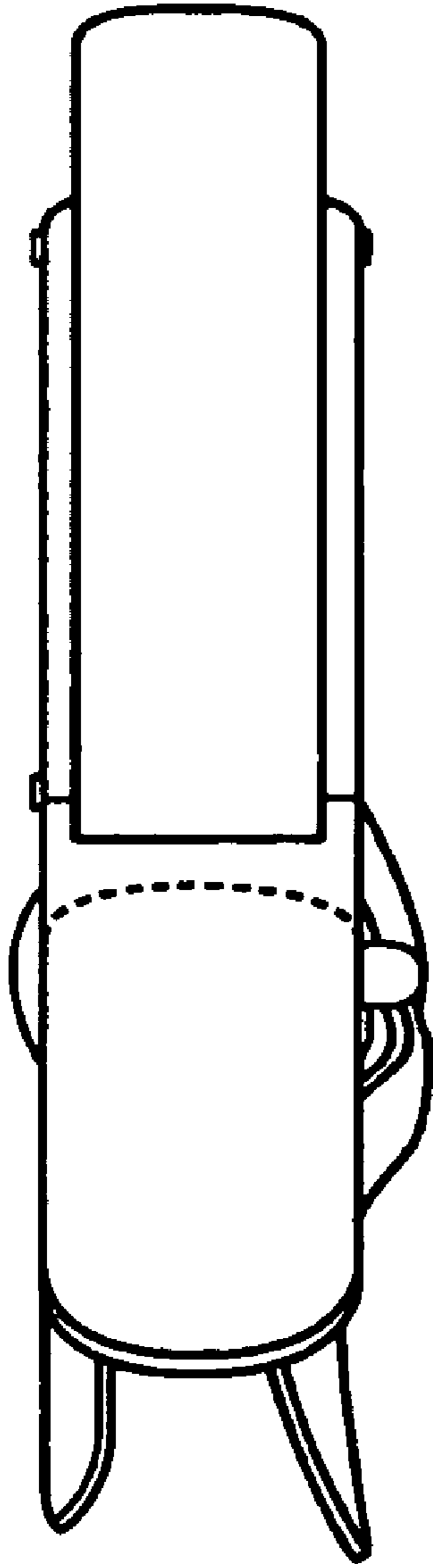


Fig. 5

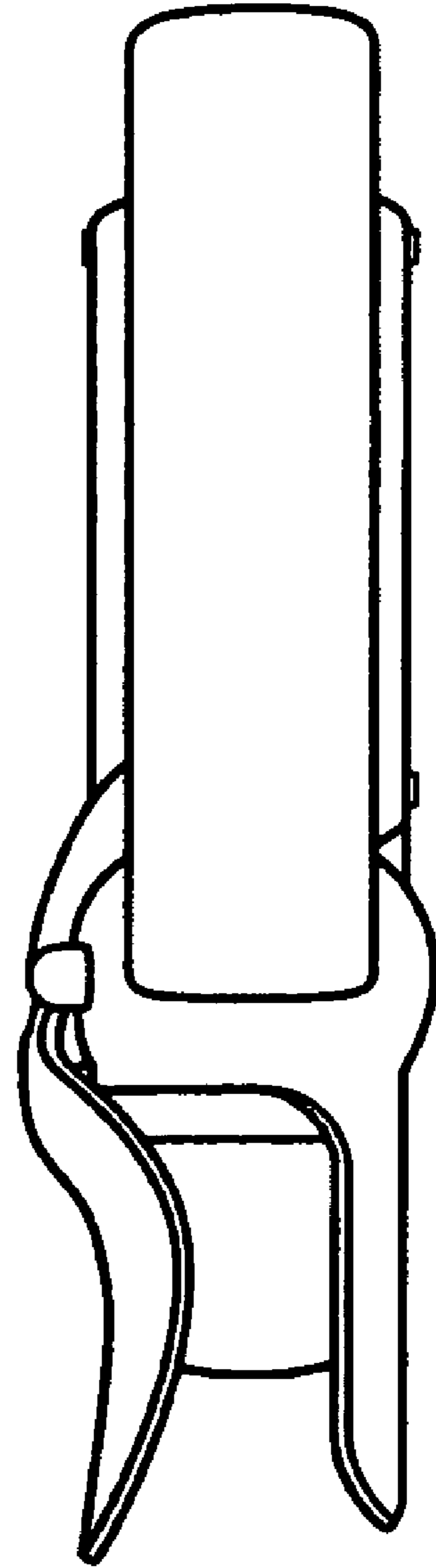


Fig. 6

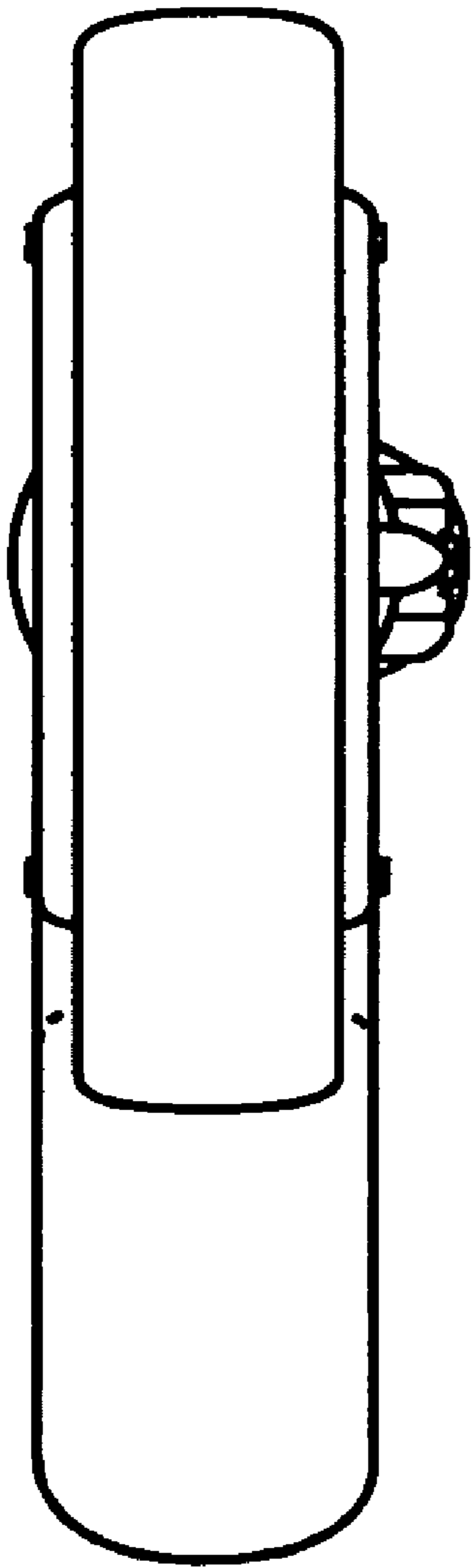


Fig. 7

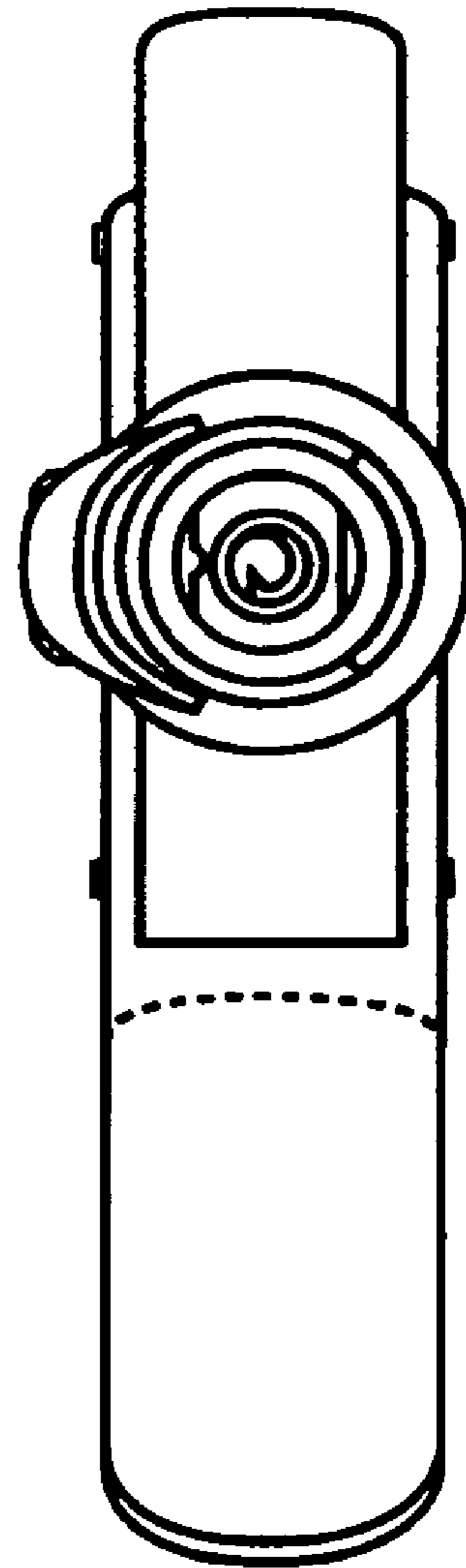


Fig. 8