



US00D610414S

(12) **United States Design Patent**  
**Boerner**

(10) **Patent No.:** **US D610,414 S**

(45) **Date of Patent:** **\*\* \*Feb. 23, 2010**

(54) **VEGETABLE SLICER**

(75) Inventor: **Juergen Boerner,**  
Landscheid-Niederkail (DE)

(73) Assignee: **Boerner Kunststoff- und**  
**Metallwarenfabrik GmbH,**  
Landscheid-Niederkail (DE)

(\*\*) Term: **14 Years**

(21) Appl. No.: **29/338,119**

(22) Filed: **Jun. 4, 2009**

(30) **Foreign Application Priority Data**

Dec. 8, 2008 (DE) ..... 40 2008 006 069

(51) **LOC (9) Cl.** ..... **07-04**

(52) **U.S. Cl.** ..... **D7/673**

(58) **Field of Classification Search** ..... D7/672,  
D7/678, 693, 381; 99/508-510; 30/378,  
30/279.6, 280, 283, 286, 287, 114; 241/92,  
241/95, 168, 169, 169.1; 83/669, 856, 857,  
83/699.51, 669.61, 870, 932

See application file for complete search history.

(56) **References Cited**

**U.S. PATENT DOCUMENTS**

4,624,166 A \* 11/1986 Kreth et al. .... 30/283

4,790,488 A \* 12/1988 Borner ..... 241/95  
D326,388 S \* 5/1992 Boerner ..... D7/673  
D406,018 S \* 2/1999 Zirbes ..... D7/673  
6,082,645 A \* 7/2000 Himmighofen et al. .... 241/168  
D496,834 S 10/2004 Boerner  
D542,604 S \* 5/2007 Zirbes ..... D7/673  
7,322,112 B2 1/2008 Boerner  
D581,220 S 11/2008 Boerner  
7,461,803 B2 12/2008 Boerner  
2007/0207657 A1 9/2007 Boerner

\* cited by examiner

*Primary Examiner*—Terry A Wallace

(74) *Attorney, Agent, or Firm*—Klarquist Sparkman, LLP

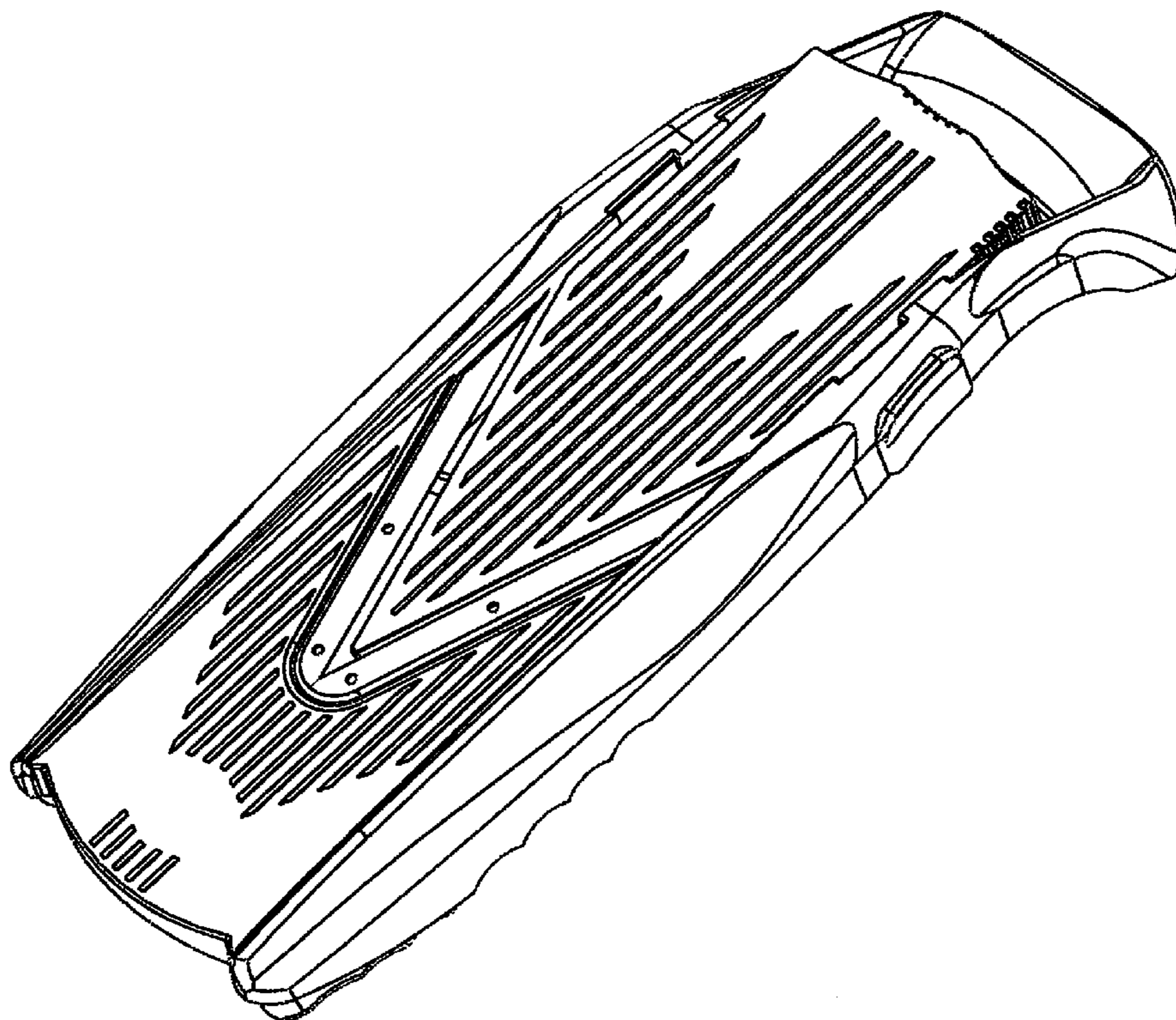
(57) **CLAIM**

The ornamental design for a vegetable slicer, as shown and described.

**DESCRIPTION**

FIG. 1 is a perspective view of a vegetable slicer;  
FIG. 2 is a top view of the vegetable slicer of FIG. 1;  
FIG. 3 is a bottom view of the vegetable slicer of FIG. 1;  
FIG. 4 is a right view of the vegetable slicer of FIG. 1;  
FIG. 5 is a left view of the vegetable slicer of FIG. 1;  
FIG. 6 is a front view of the vegetable slicer of FIG. 1; and,  
FIG. 7 is a back view of the vegetable slicer of FIG. 1.

**1 Claim, 7 Drawing Sheets**



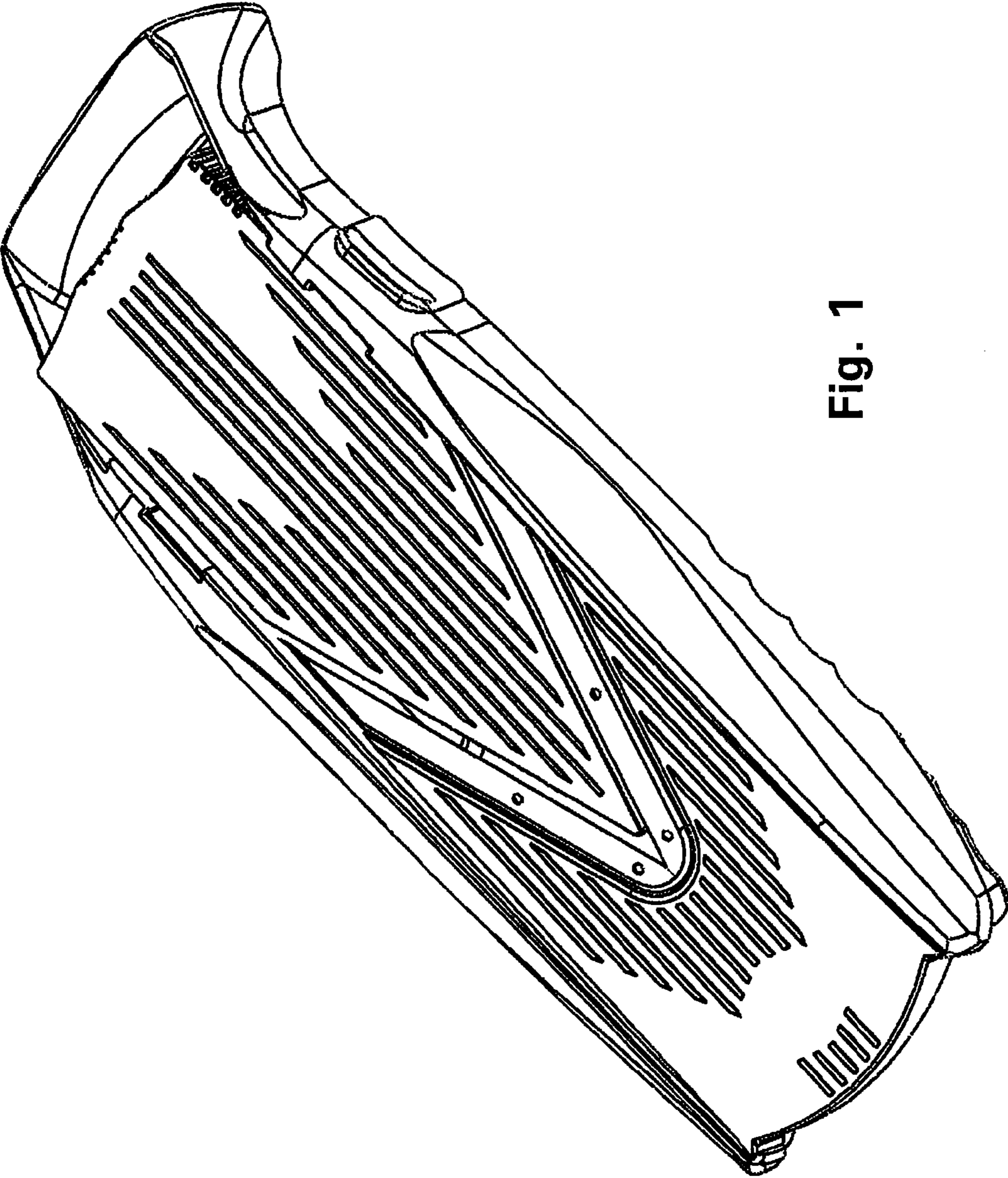


Fig. 1

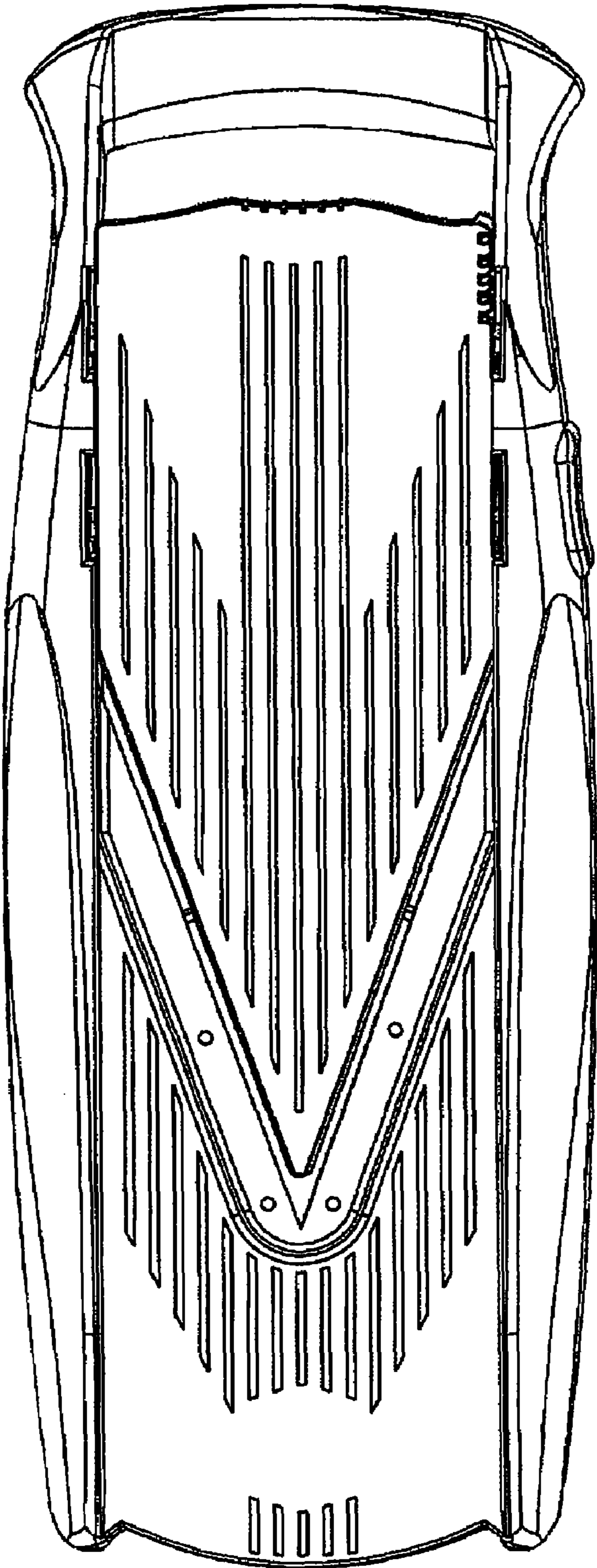


Fig. 2

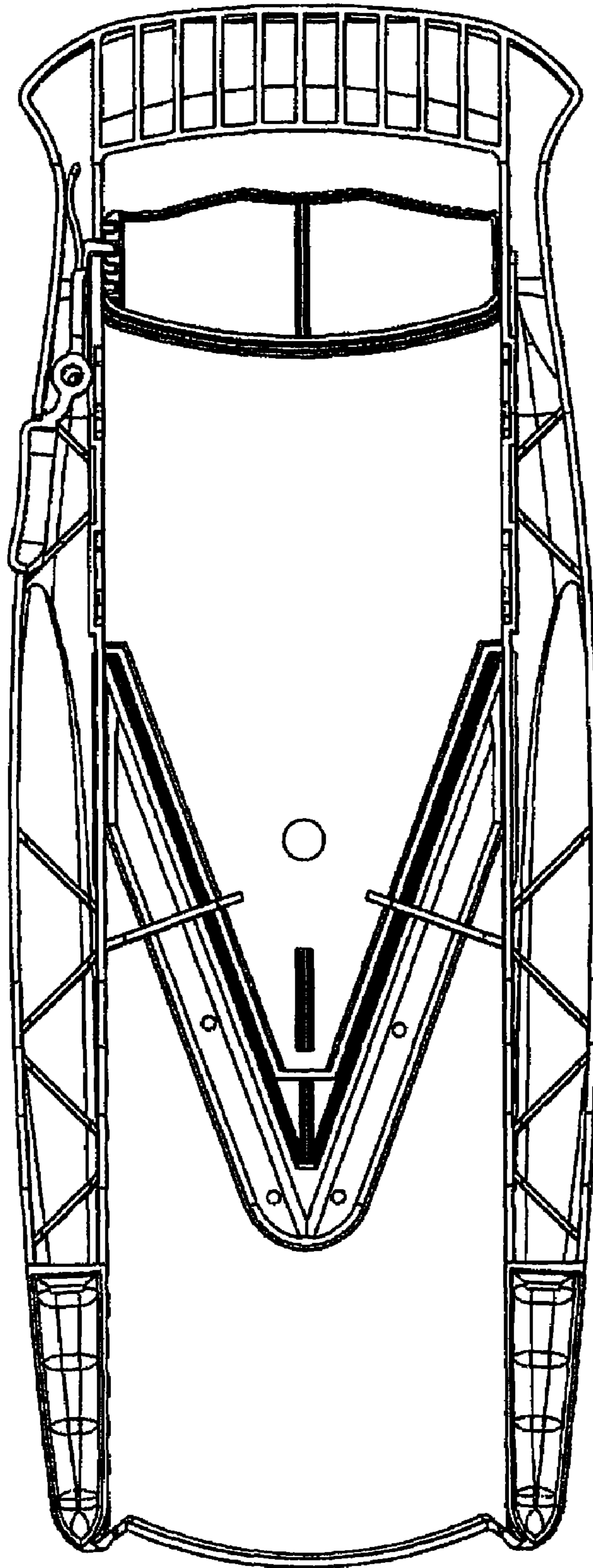


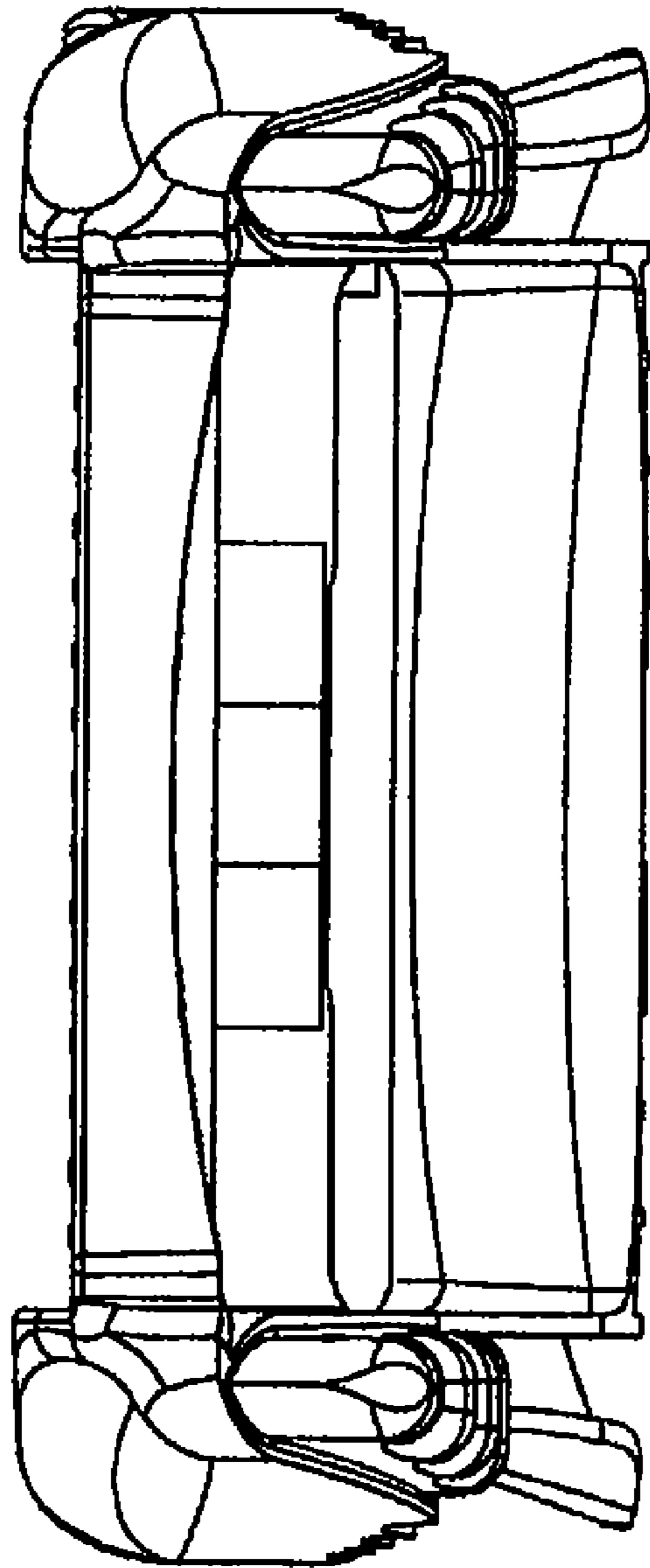
Fig. 3



Fig. 4



Fig. 5



**Fig. 6**

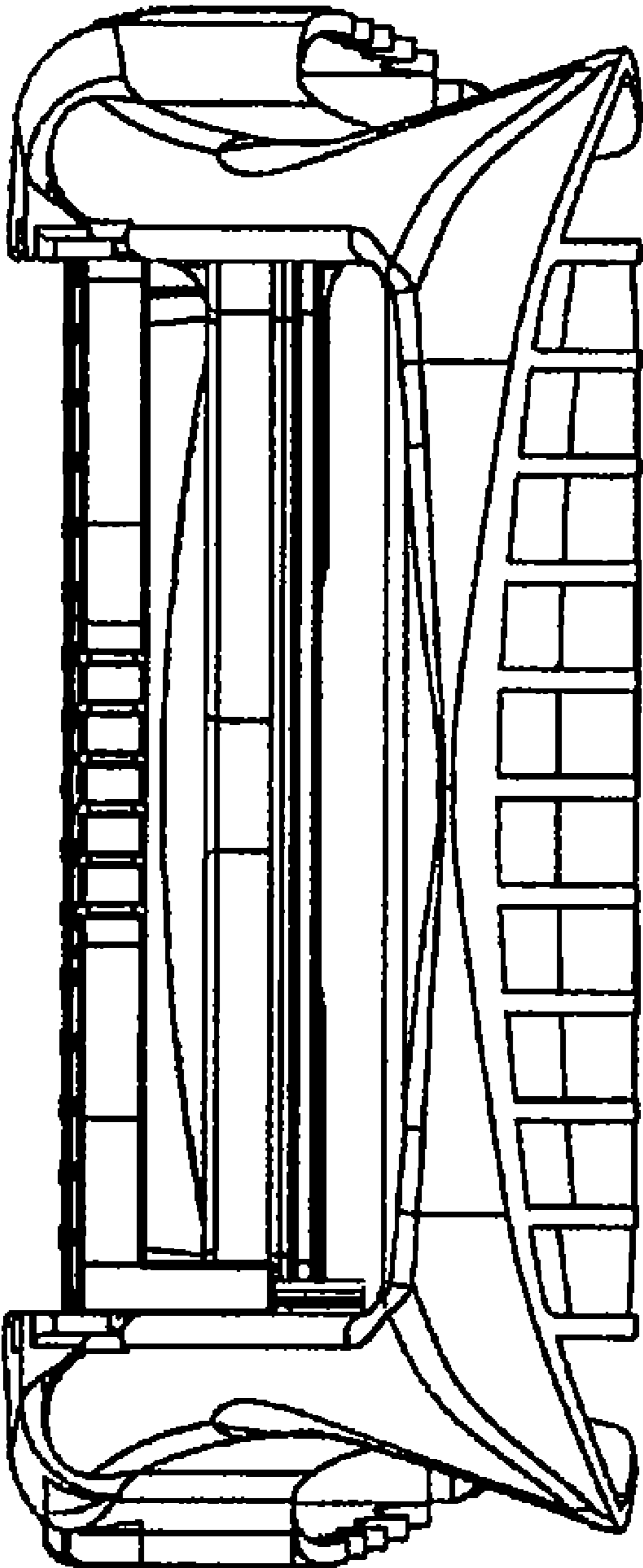


Fig. 7