



US00D610411S

(12) **United States Design Patent**
Holladay

(10) **Patent No.:** **US D610,411 S**
(45) **Date of Patent:** **** Feb. 23, 2010**

(54) **TAPERED, COLLAPSIBLE CUP INSULATOR WITH BOTTOM**

(76) Inventor: **John Stuart Holladay**, 1512 Forest Ave., Apt C202, Knoxville, TN (US) 37916

(**) Term: **14 Years**

(21) Appl. No.: **29/336,372**

(22) Filed: **May 1, 2009**

(51) **LOC (9) Cl.** **07-01**

(52) **U.S. Cl.** **D7/624.2; D7/396.2**

(58) **Field of Classification Search** D7/625, D7/624.1, 619.1, 607, 608, 387, 396.2, 396.3, D7/396.1, 624.3, 624.2; D9/444, 716; 248/346.11, 248/311.2; D24/199; D20/28; 66/170; 220/739, 220/737; 229/403, 198.2; 150/154; 428/80, 428/102; 215/392, 394

See application file for complete search history.

(56) **References Cited**

U.S. PATENT DOCUMENTS

| | | | | |
|-----------|-----|---------|----------------|---------|
| D273,833 | S | 5/1984 | Taylor | |
| D276,119 | S * | 10/1984 | Heweston | D7/607 |
| 4,540,611 | A * | 9/1985 | Henderson | 428/12 |
| 5,169,025 | A * | 12/1992 | Guo | 220/739 |
| 5,238,161 | A * | 8/1993 | Kimishima | 224/217 |
| 5,251,460 | A | 10/1993 | DeMarco et al. | |
| 5,595,320 | A | 1/1997 | Aghassipour | |
| 5,842,633 | A | 12/1998 | Nurse | |
| 6,026,983 | A | 2/2000 | Graham | |
| 6,164,487 | A * | 12/2000 | Hicks | 220/739 |
| 6,286,798 | B1 | 9/2001 | Chun | |
| 6,343,735 | B1 | 2/2002 | Cai | |

| | | | | |
|--------------|------|---------|--------------------|----------|
| 6,655,543 | B2 | 12/2003 | Beuke | |
| 7,111,753 | B2 | 9/2006 | Scheetz, II et al. | |
| D538,113 | S * | 3/2007 | Maxey | D7/624.2 |
| D540,125 | S * | 4/2007 | Hicks | D7/624.2 |
| D589,757 | S * | 4/2009 | Mancha et al. | D7/624.2 |
| D589,758 | S * | 4/2009 | Mancha et al. | D7/624.2 |
| D590,211 | S * | 4/2009 | Mancha et al. | D7/624.2 |
| D590,212 | S * | 4/2009 | Mancha et al. | D7/624.2 |
| D595,096 | S * | 6/2009 | Slay | D7/624.2 |
| 2004/0173625 | A1 * | 9/2004 | Jones | 220/739 |
| 2007/0138188 | A1 | 6/2007 | Mace et al. | |

* cited by examiner

Primary Examiner—Robert M Spear
Assistant Examiner—Cynthia Underwood
(74) *Attorney, Agent, or Firm*—Pitts & Brittan, P.C.

(57) **CLAIM**

I claim the ornamental design for a tapered, collapsible cup insulator with bottom, as shown and described.

DESCRIPTION

FIG. 1 is a perspective view of the design of the present invention for a tapered, collapsible cup insulator with bottom; FIG. 2 is a front elevation view with the rear elevation being identical thereto;

FIG. 3 is a side elevation view with the opposite side being identical thereto;

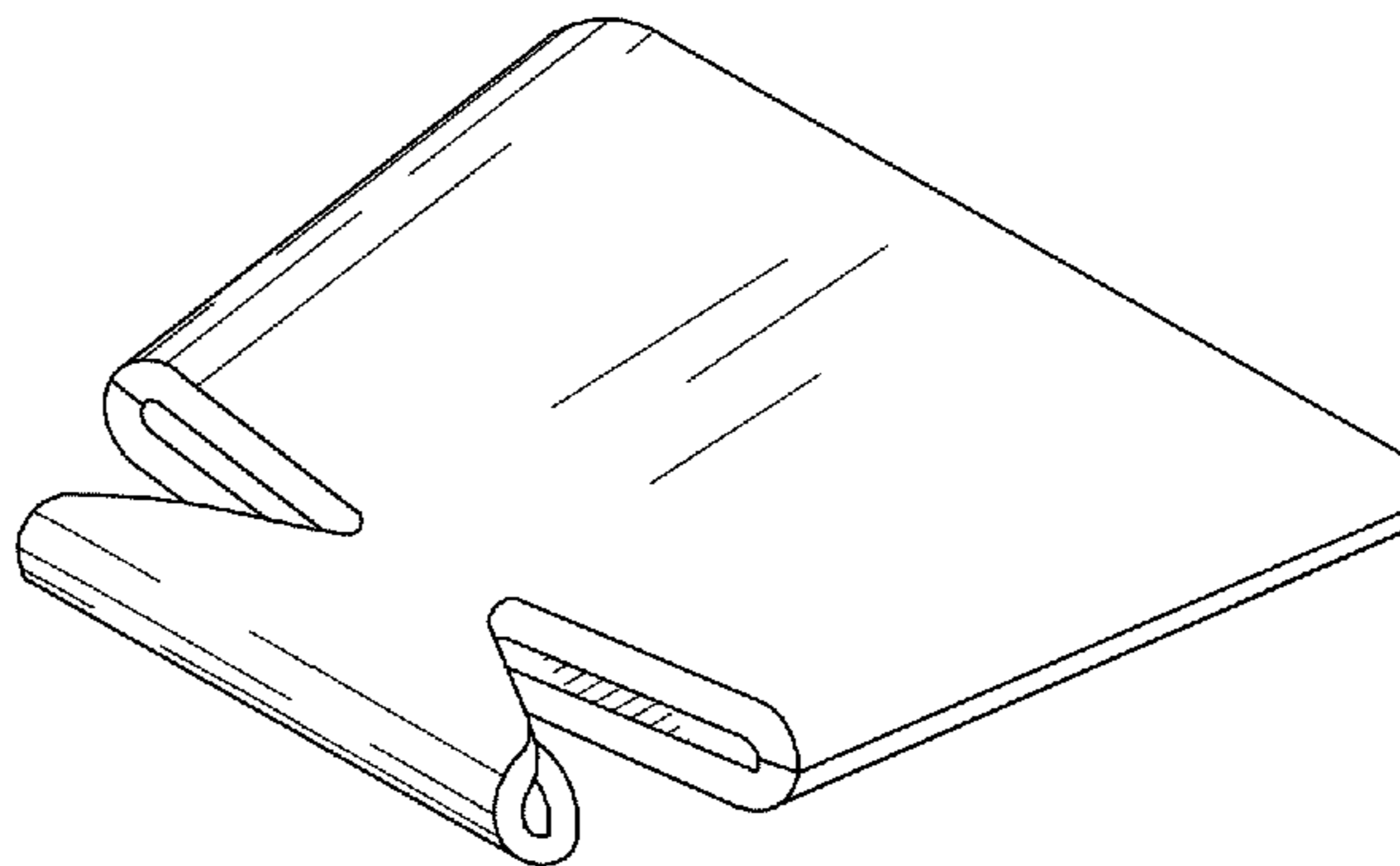
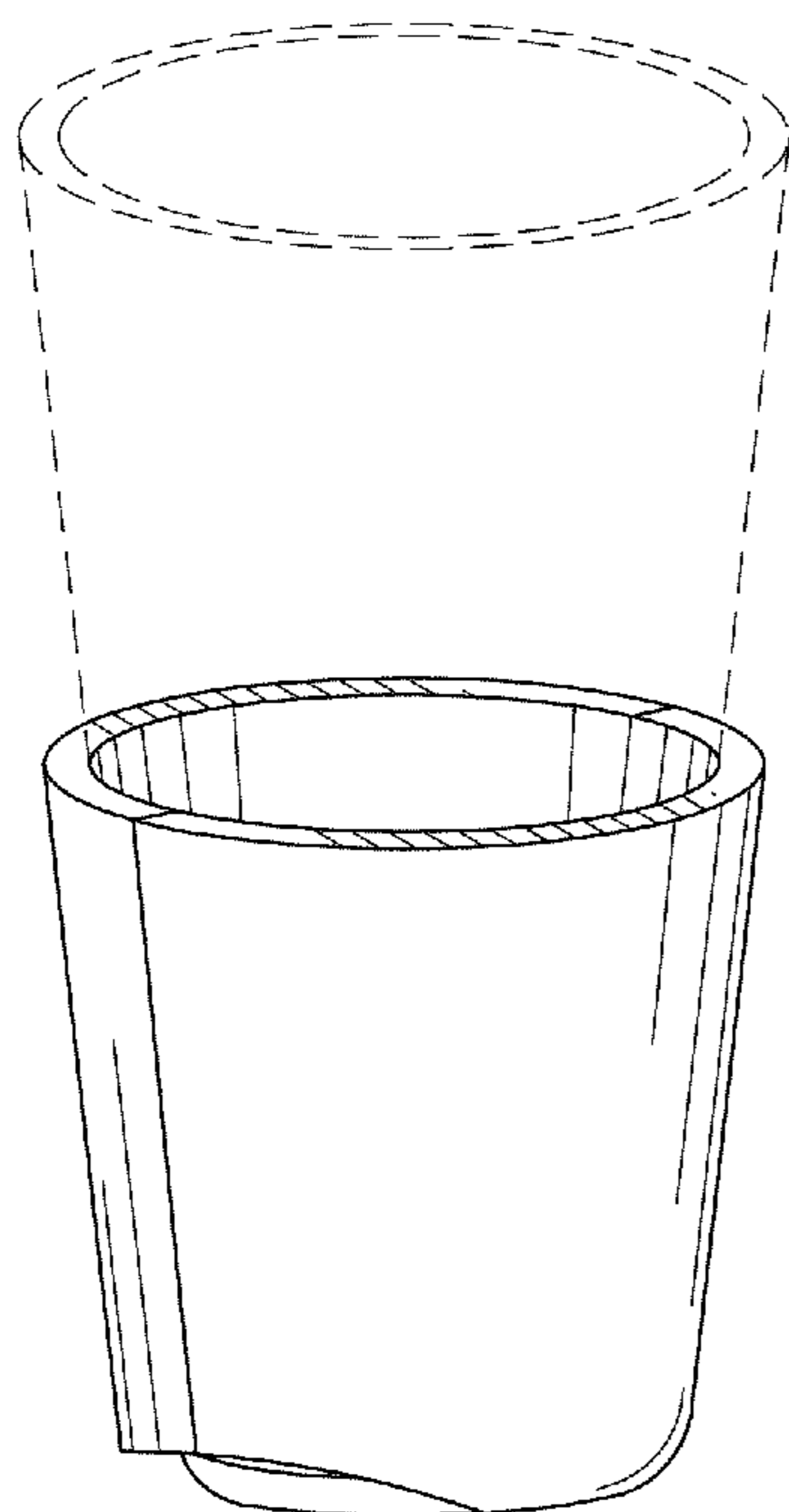
FIG. 4 is a top elevation view thereof;

FIG. 5 is a bottom elevation view thereof; and,

FIG. 6 is a collapsed view thereof.

In the drawings, the broken line showing depicts environmental subject matter and forms no part of the claim.

1 Claim, 3 Drawing Sheets



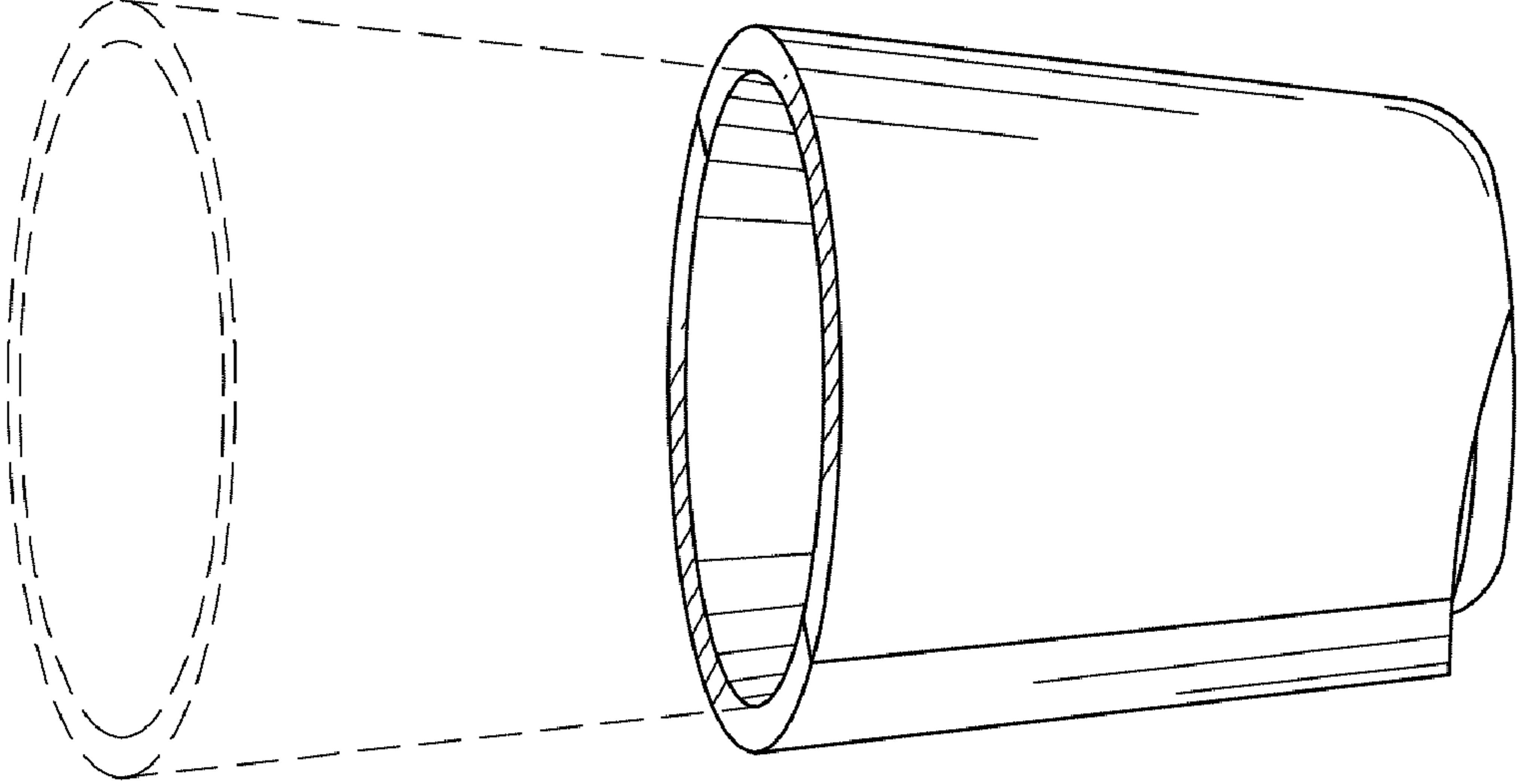


Fig. 1

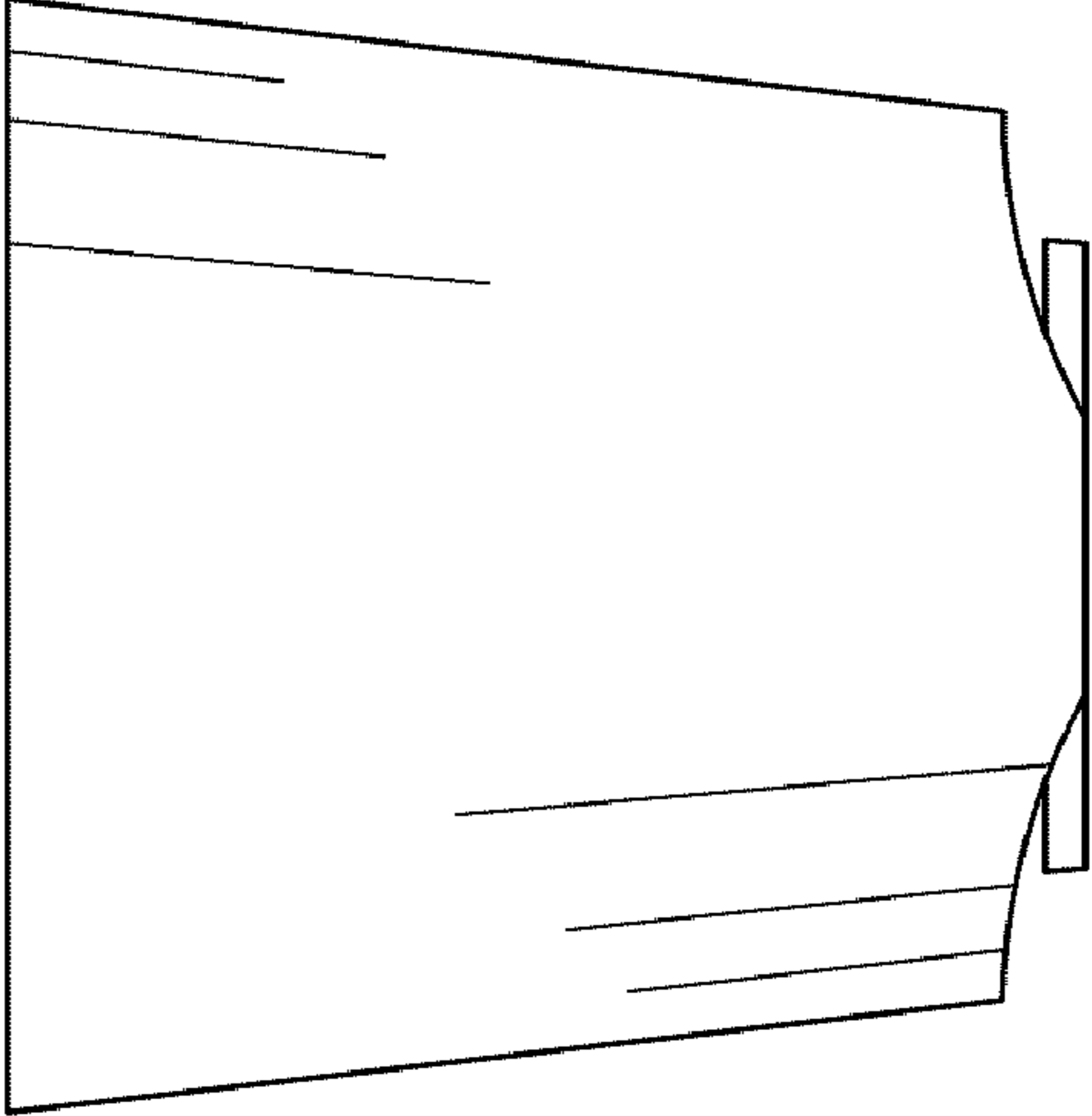


Fig. 2

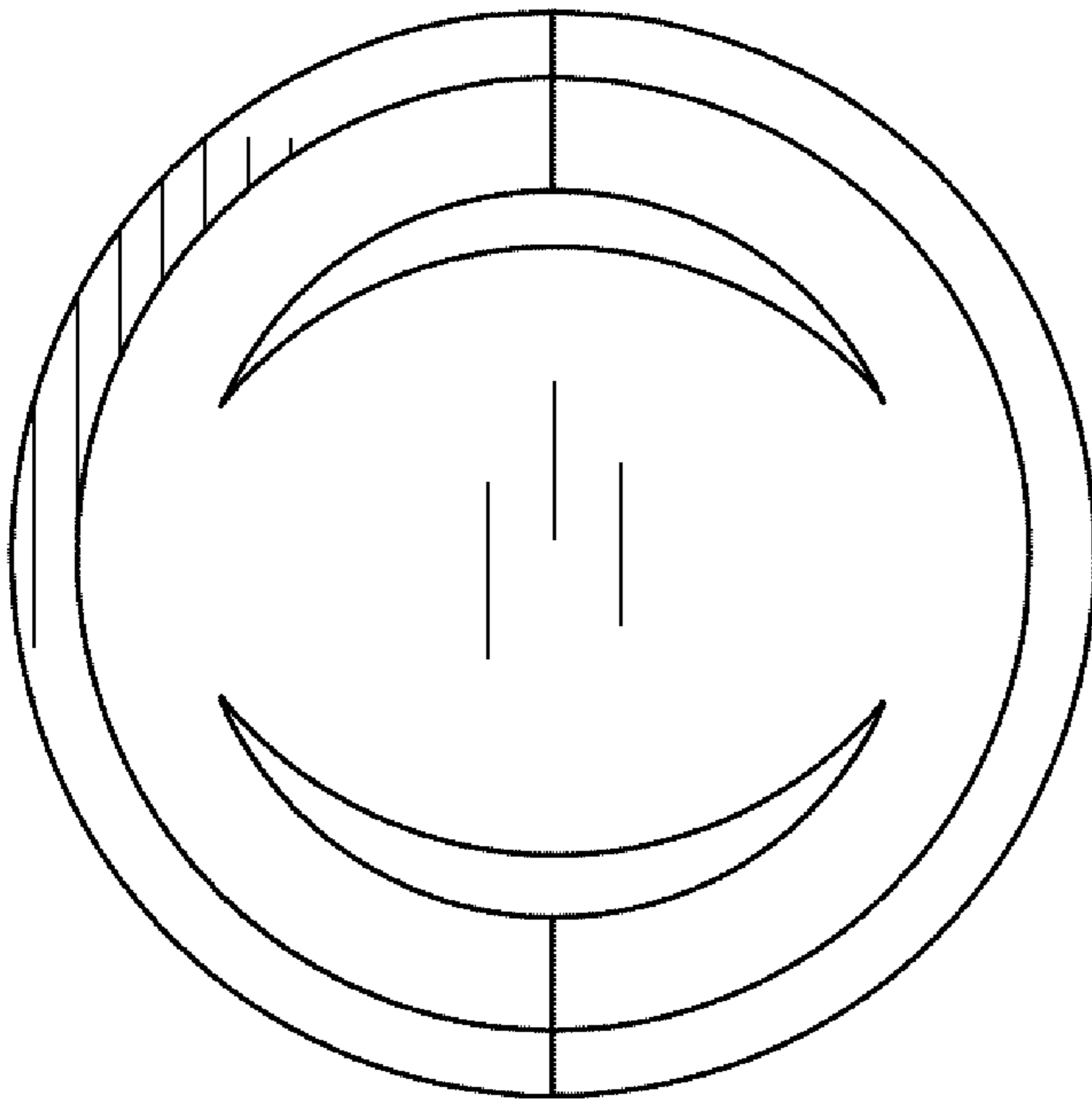


Fig. 4

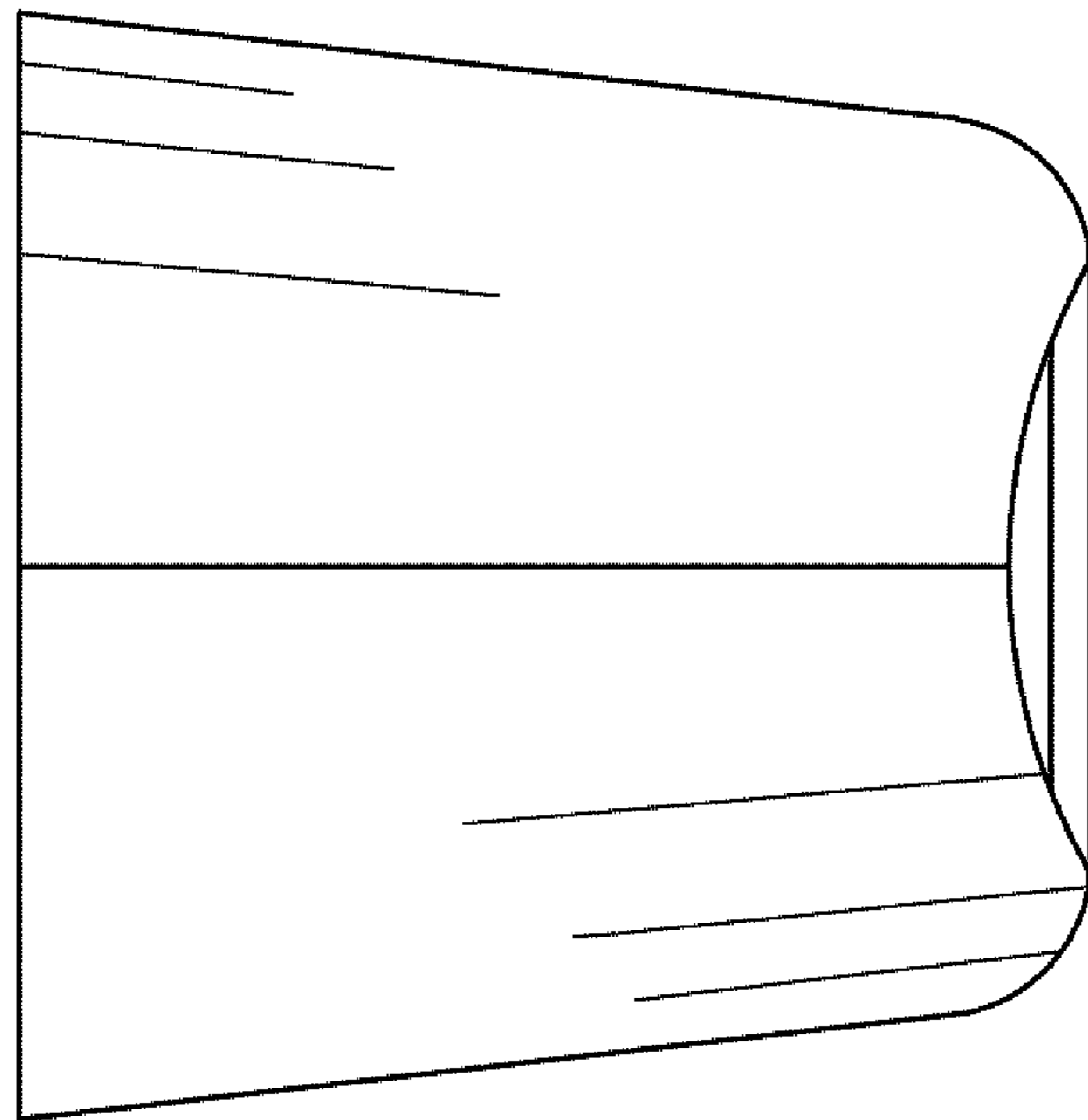


Fig. 3

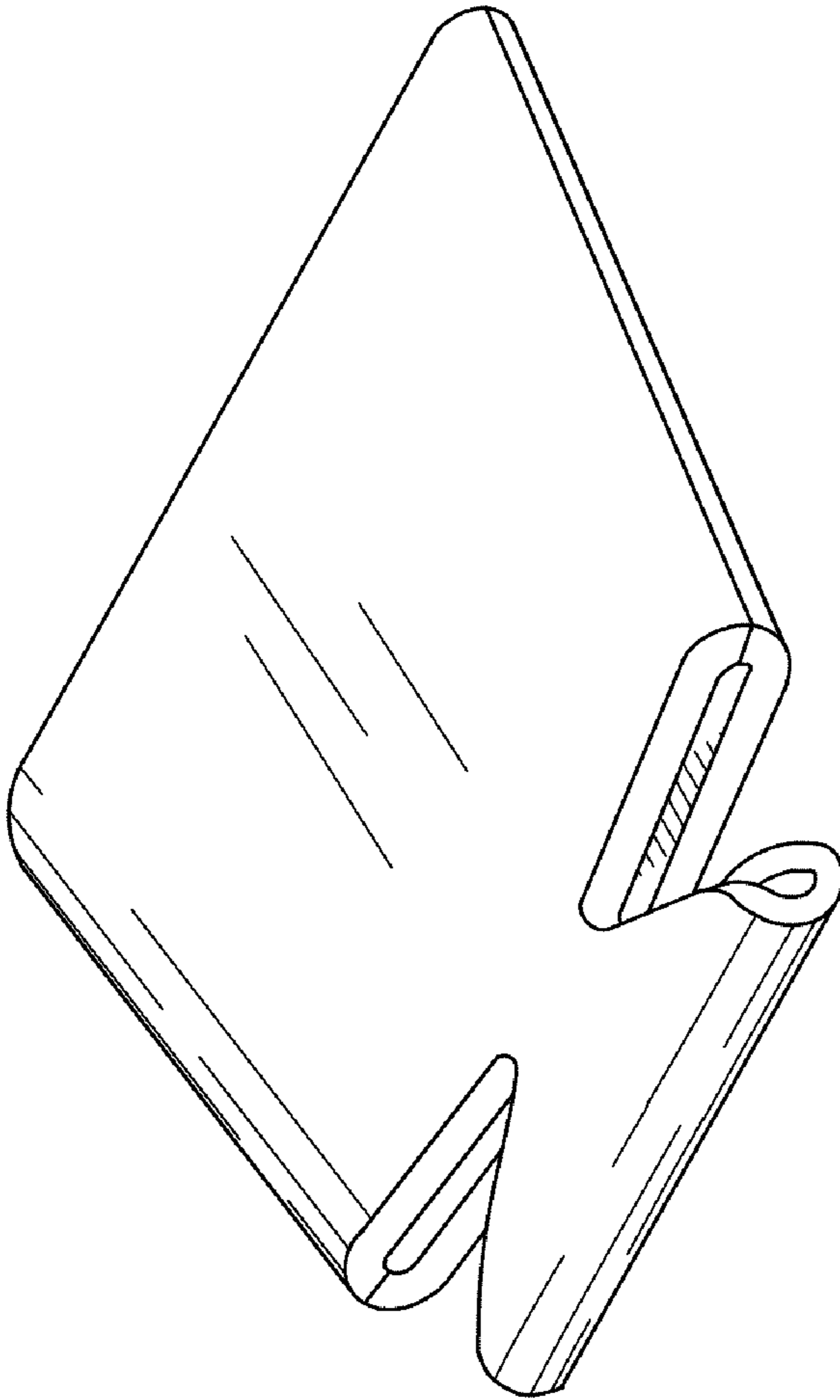


Fig. 6

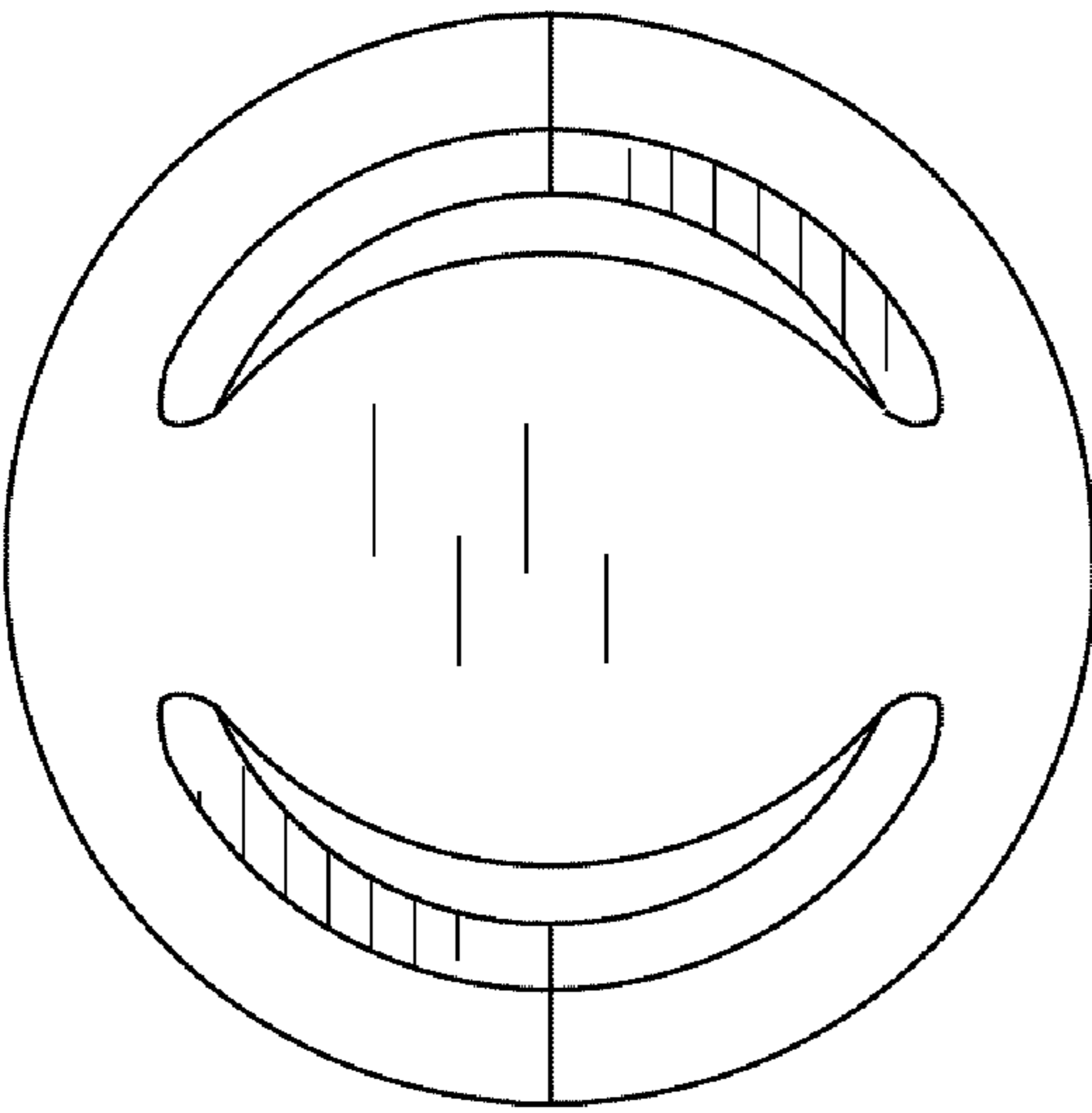


Fig. 5