



US00D610407S

(12) **United States Design Patent**
Rauckman

(10) **Patent No.:** **US D610,407 S**
(45) **Date of Patent:** **** Feb. 23, 2010**

(54) **SERVING TRAY**

(76) Inventor: **Richard Rauckman**, 14 Willshire Ct.,
Belleville, IL (US) 62223

(**) Term: **14 Years**

(21) Appl. No.: **29/313,399**

(22) Filed: **Dec. 31, 2008**

(51) **LOC (9) Cl.** **07-01**

(52) **U.S. Cl.** **D7/553.1; D7/555**

(58) **Field of Classification Search** D7/387,
D7/538, 388, 500, 541, 550.1, 396.1, 629,
D7/545, 560, 392.1, 542, 586, 554.2, 553.5,
D7/553.8, 505, 553.1, 553.2, 556, 555, 566,
D7/554.3; 220/6, 337, 662, 665, 23.8, 575,
220/501, 212; 206/508, 294, 462, 489; D6/302;
D19/78; D9/761, 418, 415

See application file for complete search history.

(56) **References Cited**

U.S. PATENT DOCUMENTS

D19,248 S	8/1889	Atterbury	
D99,533 S	3/1936	Straus	
2,207,417 A *	7/1940	Smith	220/575
2,333,643 A *	11/1943	Donnellan	383/38
D140,213 S	1/1945	Miller	
2,843,287 A *	7/1958	Finley	220/575
D209,769 S *	1/1968	Bateman	D7/541
3,369,660 A *	2/1968	Hartman	206/294
D235,498 S *	6/1975	Day	D7/553.3
D243,429 S	2/1977	Thrush	
4,795,029 A *	1/1989	Campbell et al.	206/278
D367,172 S *	2/1996	Brightbill et al.	D3/310
D367,587 S *	3/1996	Perlmutter et al.	D7/555
D477,969 S	8/2003	Griffin et al.	
D501,760 S *	2/2005	Bukowski	D7/550.1

D515,880 S *	2/2006	Lerner	D7/629
D596,903 S *	7/2009	Willis et al.	D7/553.2
2008/0083759 A1	4/2008	Anderson	

* cited by examiner

Primary Examiner—Robert M Spear
Assistant Examiner—Cynthia Underwood

(57) **CLAIM**

The ornamental design for a serving tray, as shown and described herein.

DESCRIPTION

FIG. 1 is an elevated perspective view of the serving tray, showing my design;

FIG. 2 is opposing elevated perspective view of the serving tray;

FIG. 3 is a top plan view of the serving tray;

FIG. 4 is a bottom plan view of the serving tray;

FIG. 5 is a side view of the serving tray;

FIG. 6 is an opposing side view of the serving tray;

FIG. 7 is a front view of the serving tray;

FIG. 8 is a rear view of the serving tray;

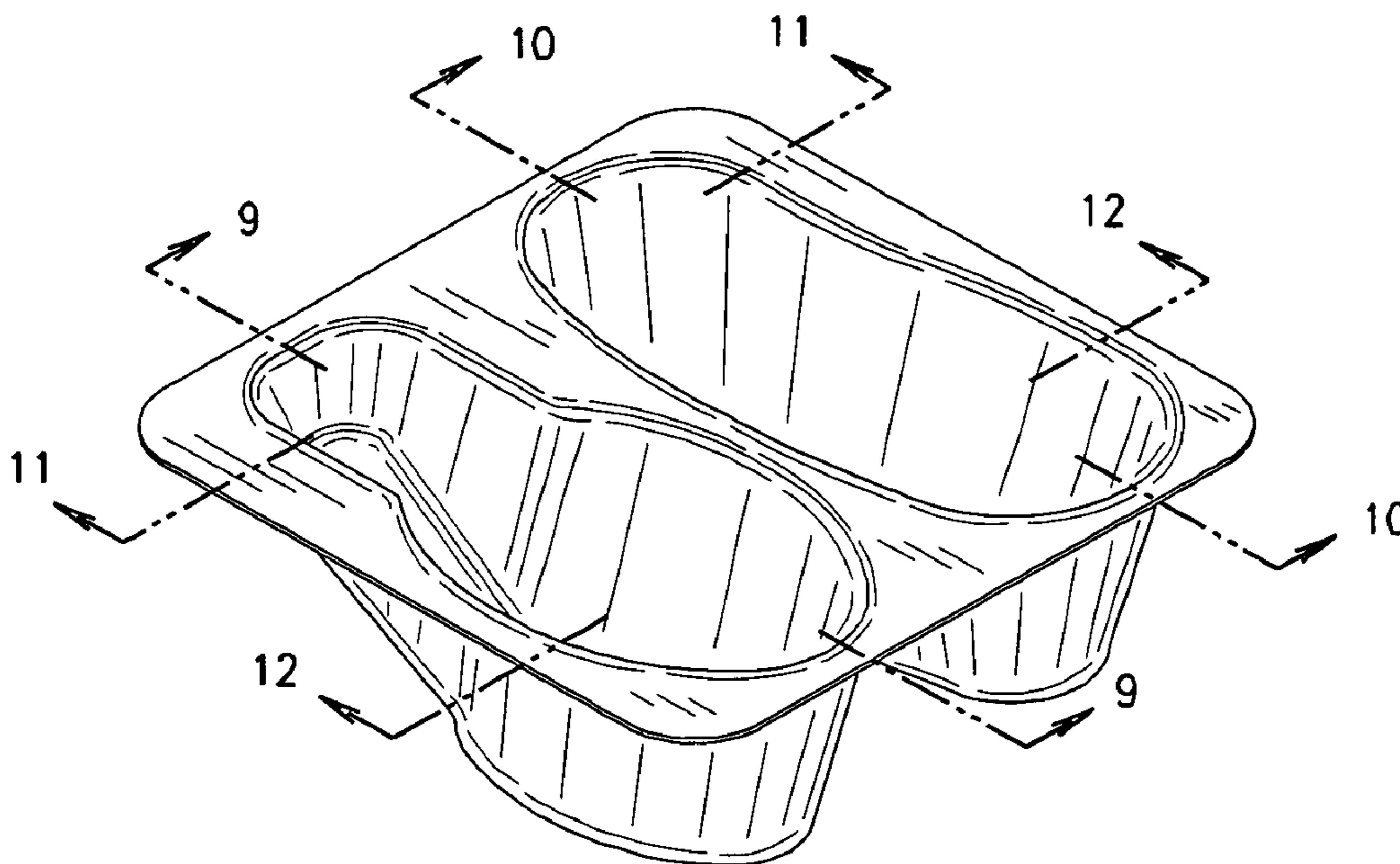
FIG. 9 is a cross-sectional view taken along line 9—9 of FIG. 1 of the serving tray;

FIG. 10 is a cross-sectional view taken along line 10—10 of FIG. 1 of the serving tray;

FIG. 11 is a cross-sectional view taken along line 11—11 of FIG. 1 of the serving tray; and,

FIG. 12 is a cross-sectional view taken along line 12—12 of FIG. 1 of the serving tray.

1 Claim, 2 Drawing Sheets



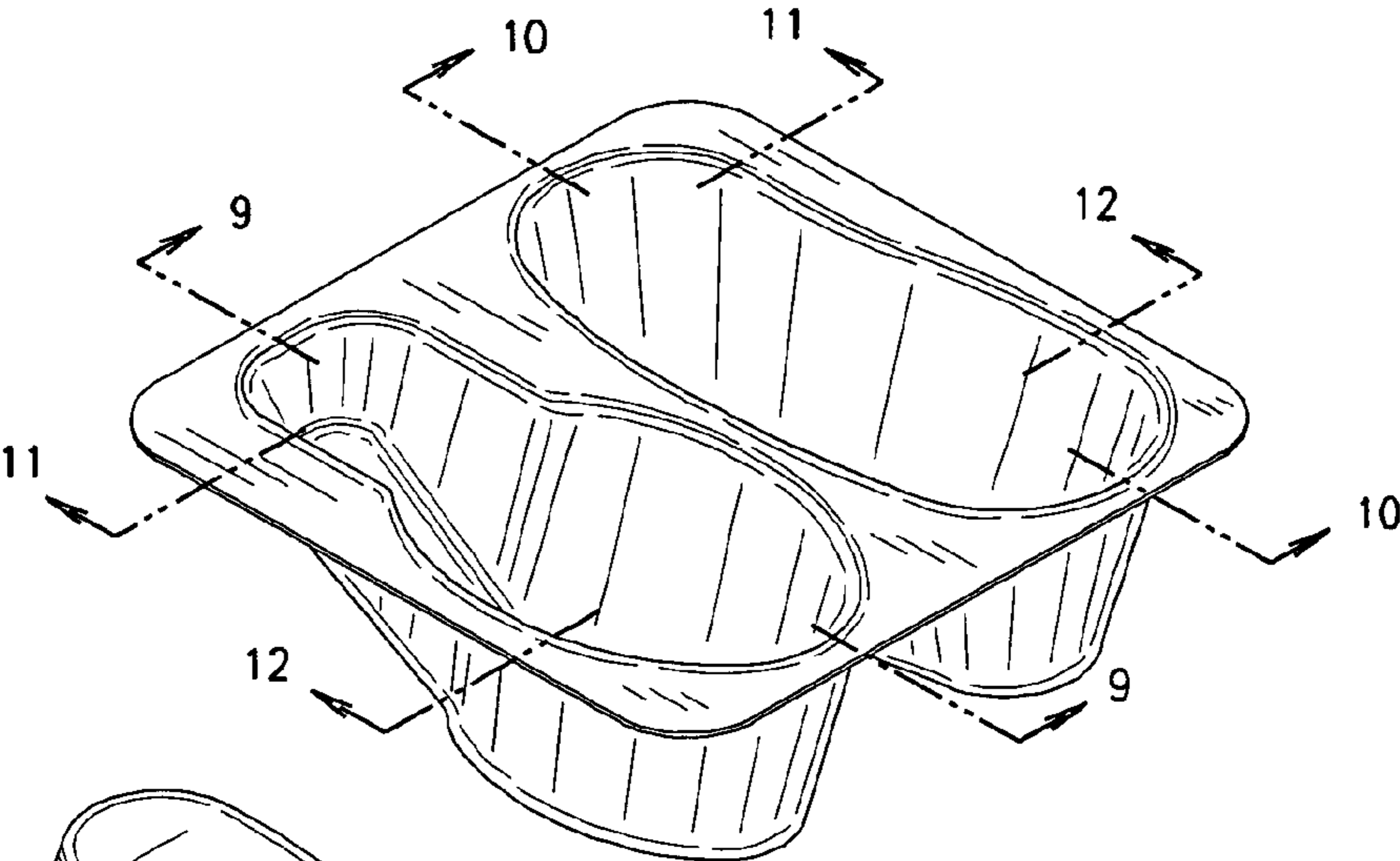


FIG. 1

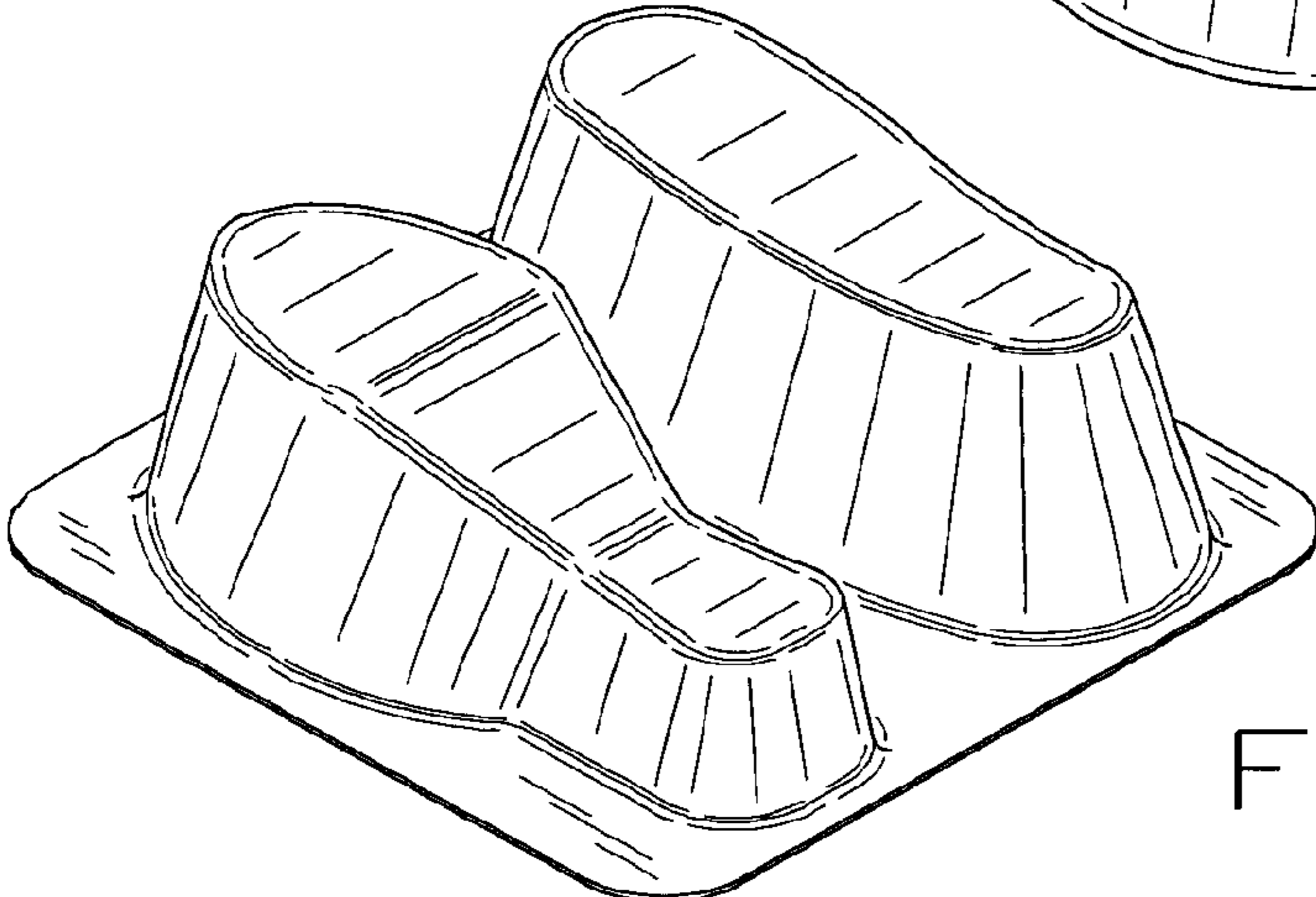


FIG. 2

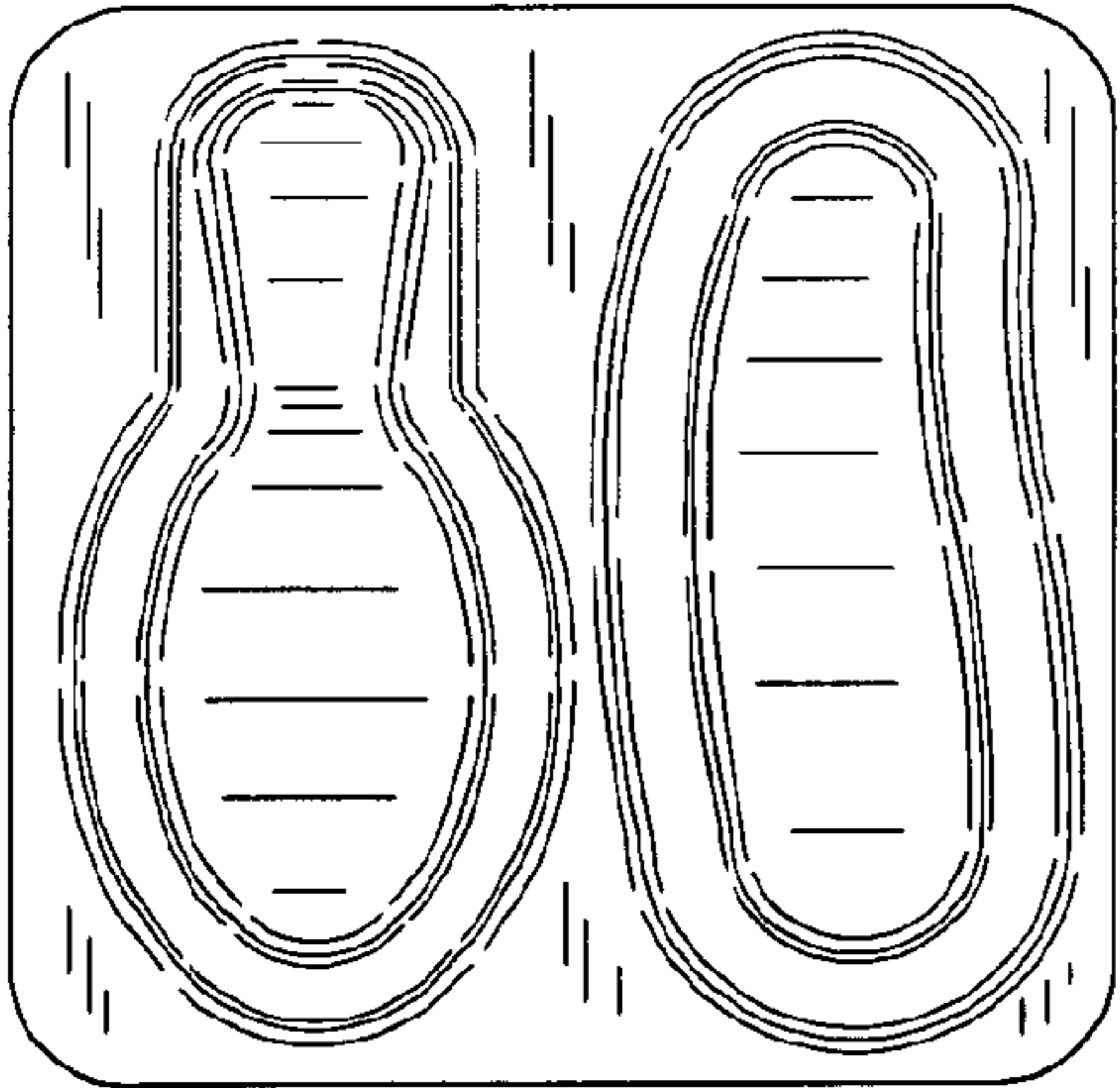


FIG. 3

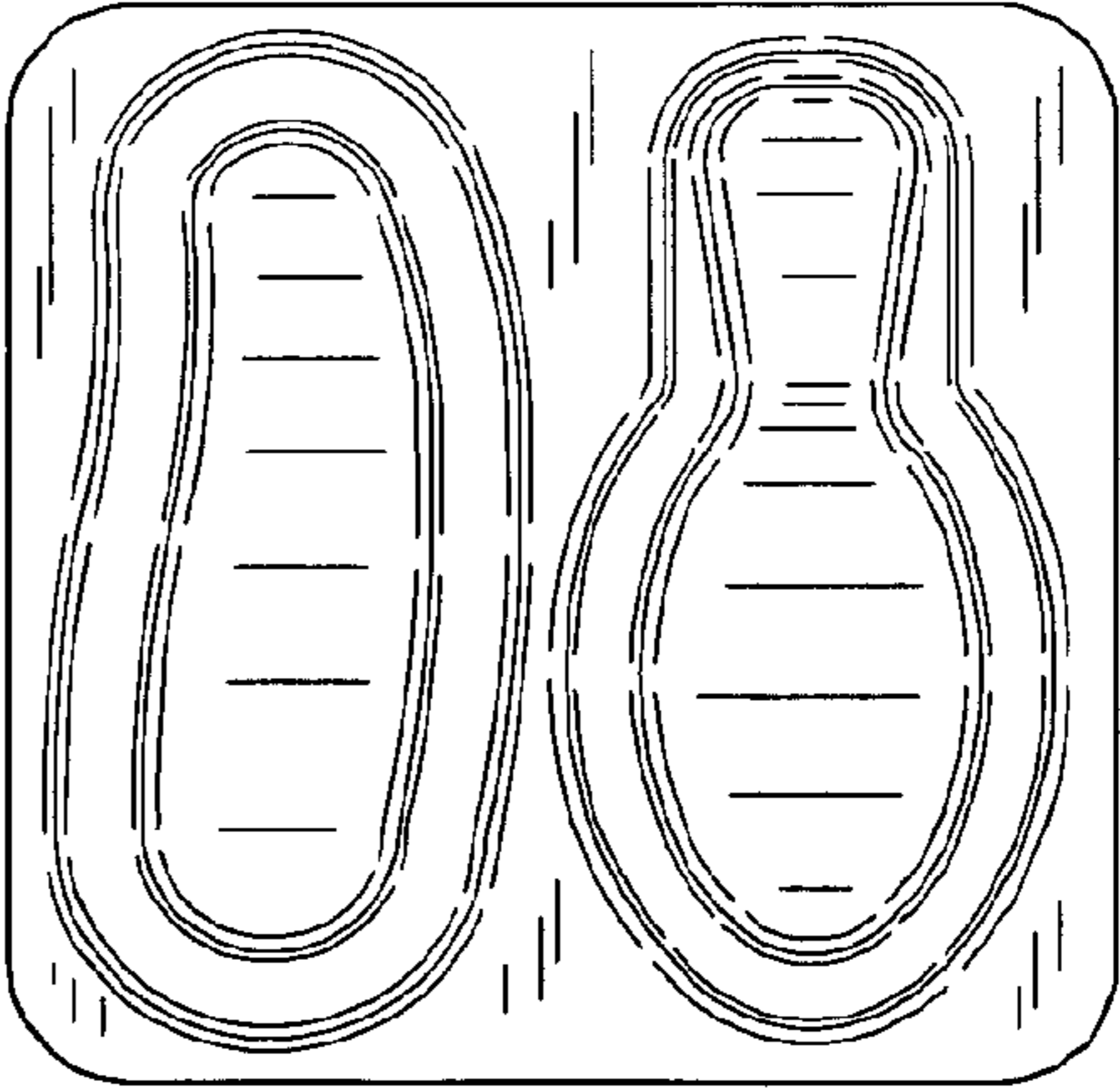


FIG. 4

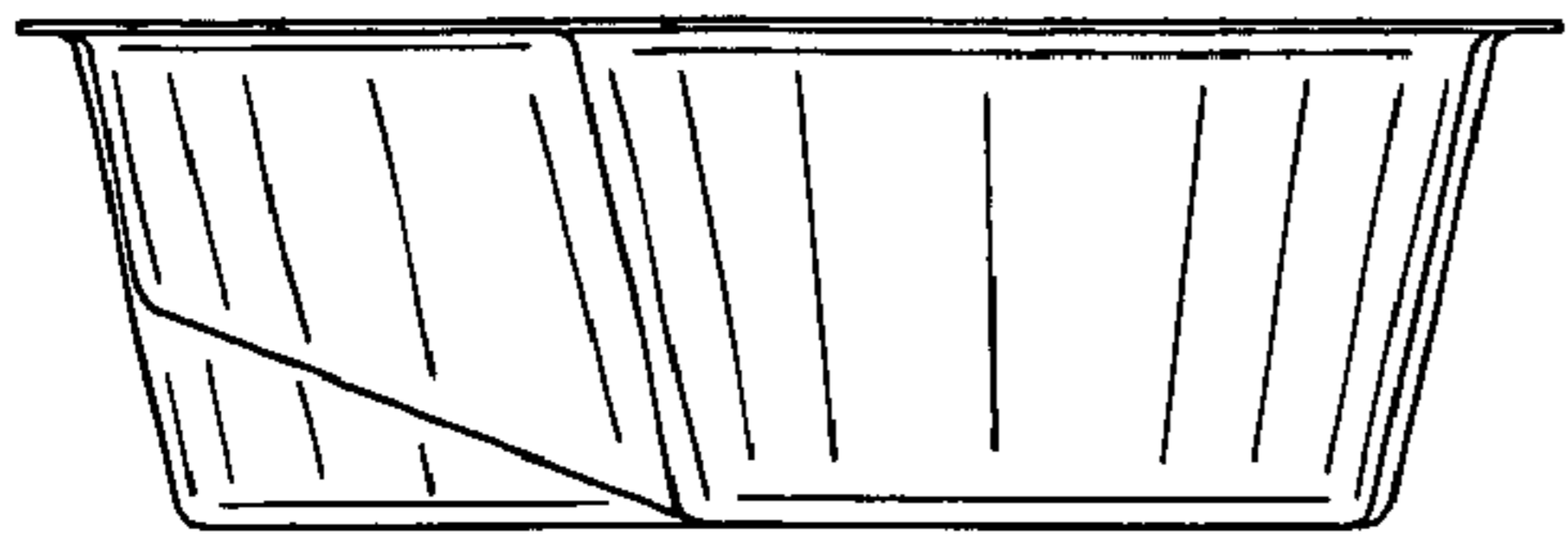


FIG. 5

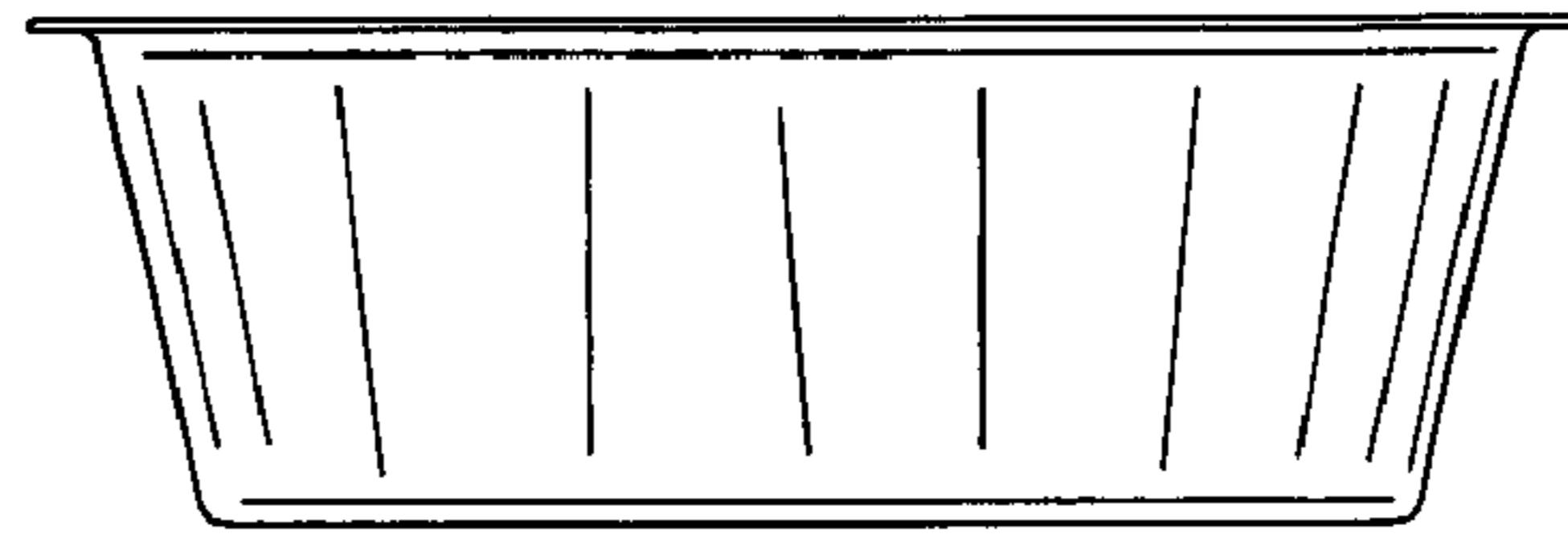


FIG. 6

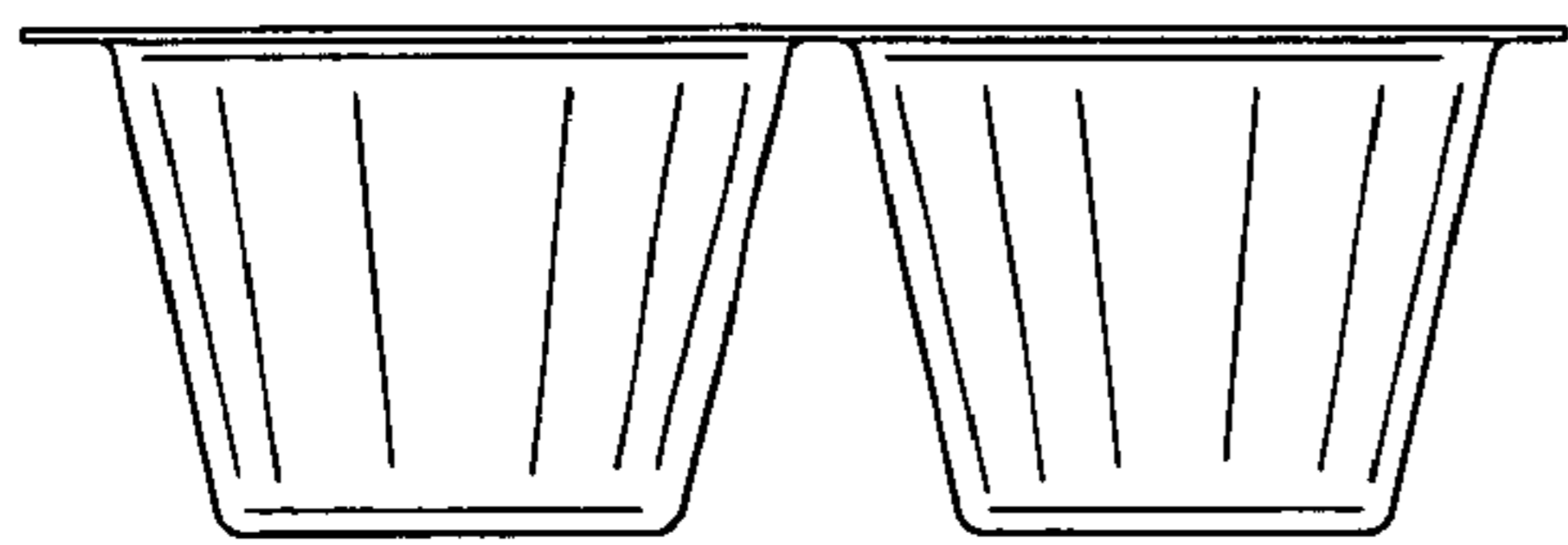


FIG. 7

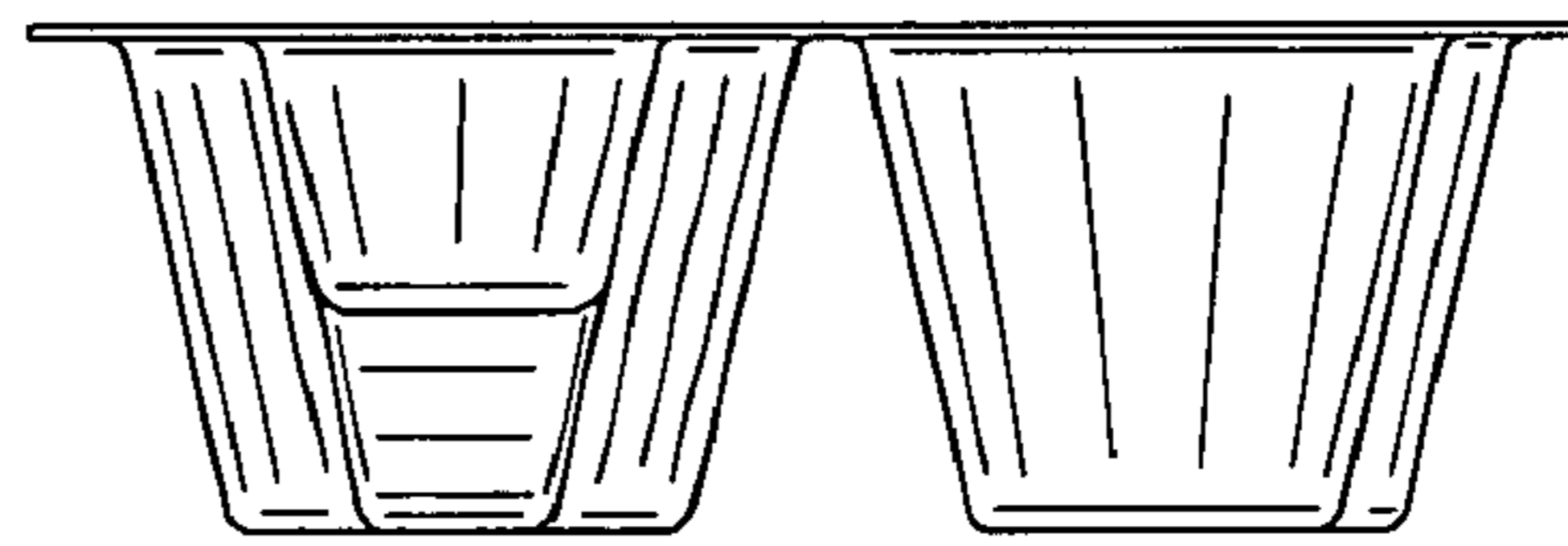


FIG. 8

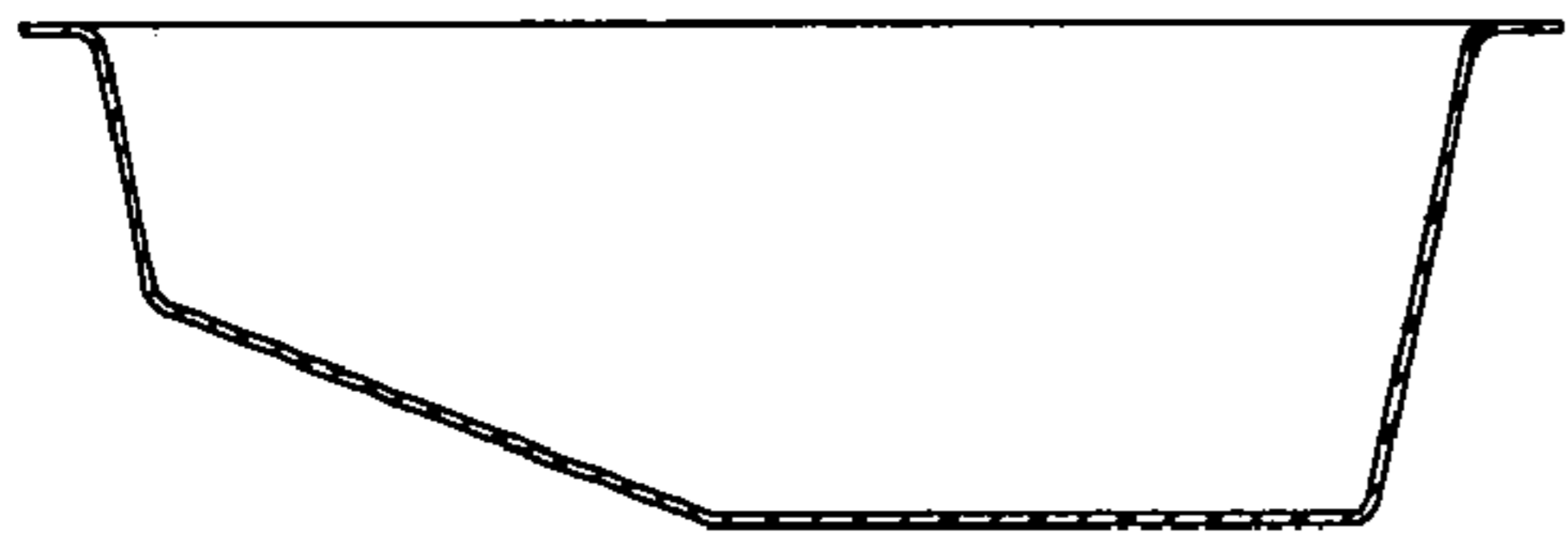


FIG. 9



FIG. 10

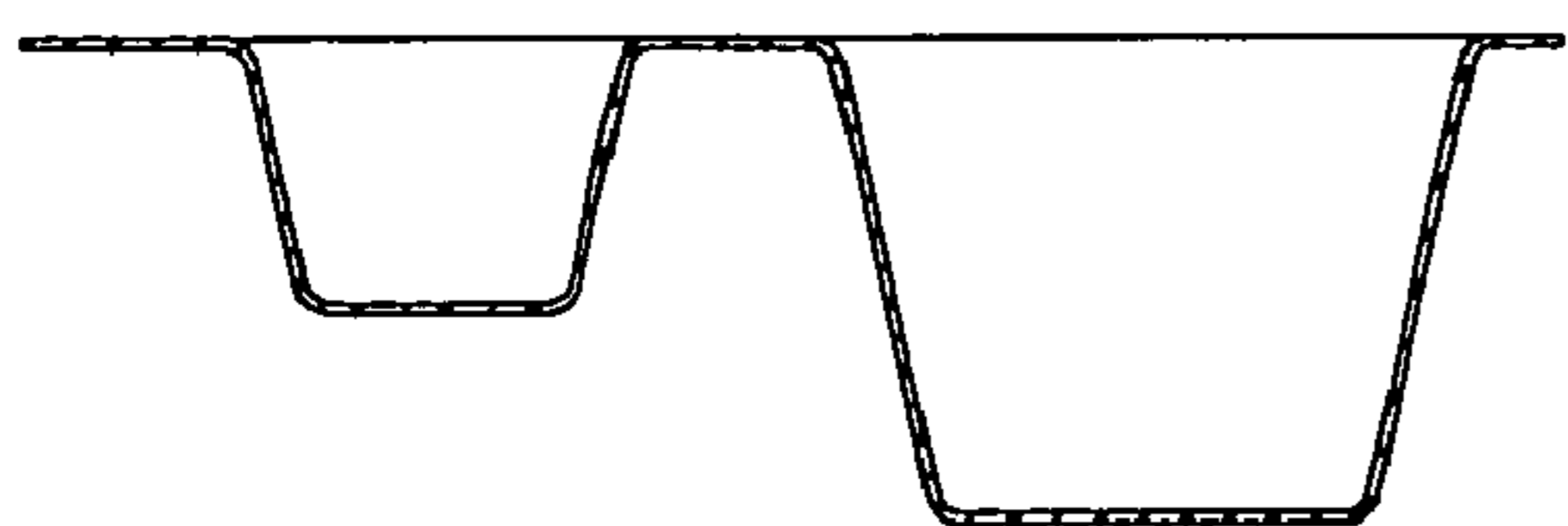


FIG. 11

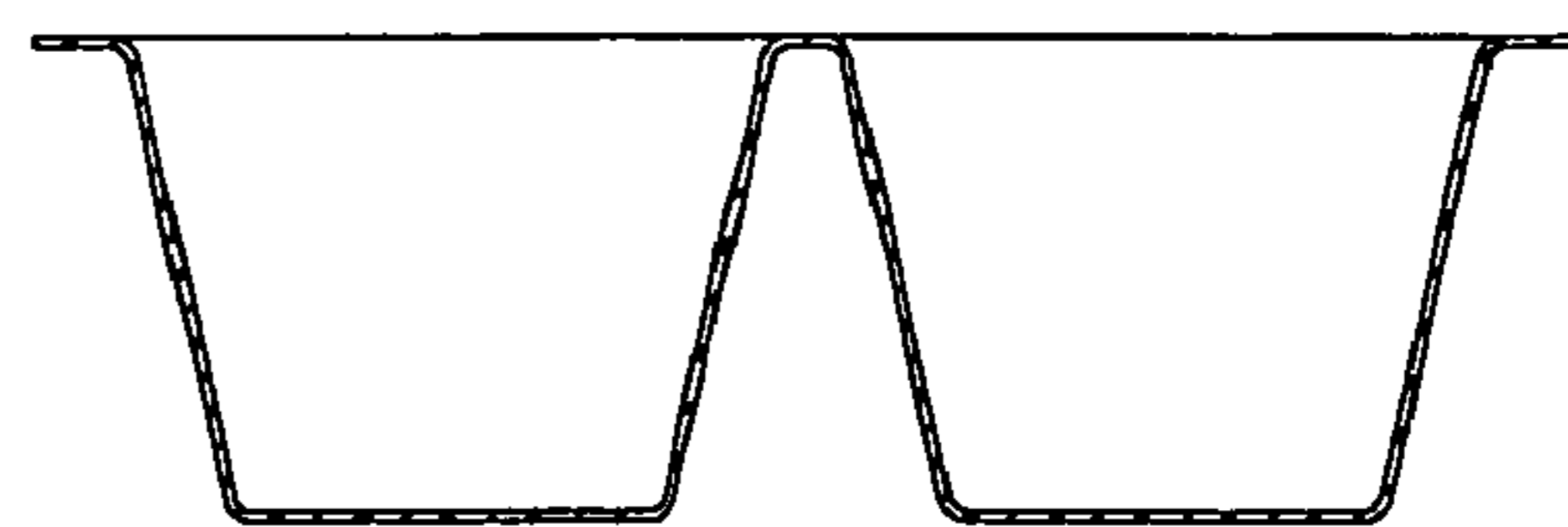


FIG. 12