



US00D610405S

(12) **United States Design Patent**
McConnell

(10) **Patent No.:** **US D610,405 S**

(45) **Date of Patent:** **** Feb. 23, 2010**

(54) **GRILL GRATE**

(76) **Inventor:** **Evan McConnell**, 7112 Sylvan Glen
La., Fairfax Station, VA (US) 22039

(**) **Term:** **14 Years**

(21) **Appl. No.:** **29/336,948**

(22) **Filed:** **May 12, 2009**

(51) **LOC (9) Cl.** **07-02**

(52) **U.S. Cl.** **D7/409**

(58) **Field of Classification Search** D6/467;
D7/323, 354–363, 388, 390, 402, 404, 407,
D7/409, 561, 698; D9/456; D23/386; 99/324,
99/340, 402, 421 A, 421 H, 421 HH, 421 R,
99/422–427, 446–450; 126/337 R; 219/443,
219/730, 759; 220/485, 491–494, 500, 507,
220/573.1, 752, 759, 769, 912; 429/34
See application file for complete search history.

(56) **References Cited**

U.S. PATENT DOCUMENTS

D188,501 S *	8/1960	Wood	D7/359
D240,390 S *	7/1976	Smith	D7/698
D251,106 S *	2/1979	Petursson	D7/409
D257,115 S *	9/1980	Anderson	D7/359
D268,981 S *	5/1983	Monson	D7/359
D312,125 S *	11/1990	Epner et al.	D23/386
5,105,725 A *	4/1992	Haglund	99/446
D340,835 S *	11/1993	Lupa et al.	D7/409
D363,410 S *	10/1995	Hazen	D7/359
5,467,691 A *	11/1995	Koziol	99/340
D364,995 S *	12/1995	Koziol	D7/409
D401,451 S *	11/1998	Sherman	D6/467
5,884,555 A *	3/1999	Chang	99/425
D414,074 S *	9/1999	Jalayer	D7/402
D441,250 S *	5/2001	Choi	D7/362

D471,397 S *	3/2003	Wright	D7/359
D483,605 S *	12/2003	Gronda	D7/359
D508,368 S *	8/2005	Lion et al.	D7/388
D560,094 S *	1/2008	Miller	D7/388
D566,556 S *	4/2008	Baker et al.	D9/456
D570,154 S *	6/2008	Wang	D7/359
D579,719 S *	11/2008	King et al.	D7/409
D588,399 S *	3/2009	Vrbaneck	D7/359
D593,805 S *	6/2009	Klimecki	D7/561
2003/0022052 A1 *	1/2003	Kearl	429/34
2007/0204856 A1 *	9/2007	Elwell et al.	126/337 R

OTHER PUBLICATIONS

Weber Genesis Silver-A gas grill owner's guide, dated Mar. 28, 2000.

* cited by examiner

Primary Examiner—Caron Veynar

Assistant Examiner—Ricky Pham

(74) *Attorney, Agent, or Firm*—Pillsbury Winthrop Shaw
Pittman LLP

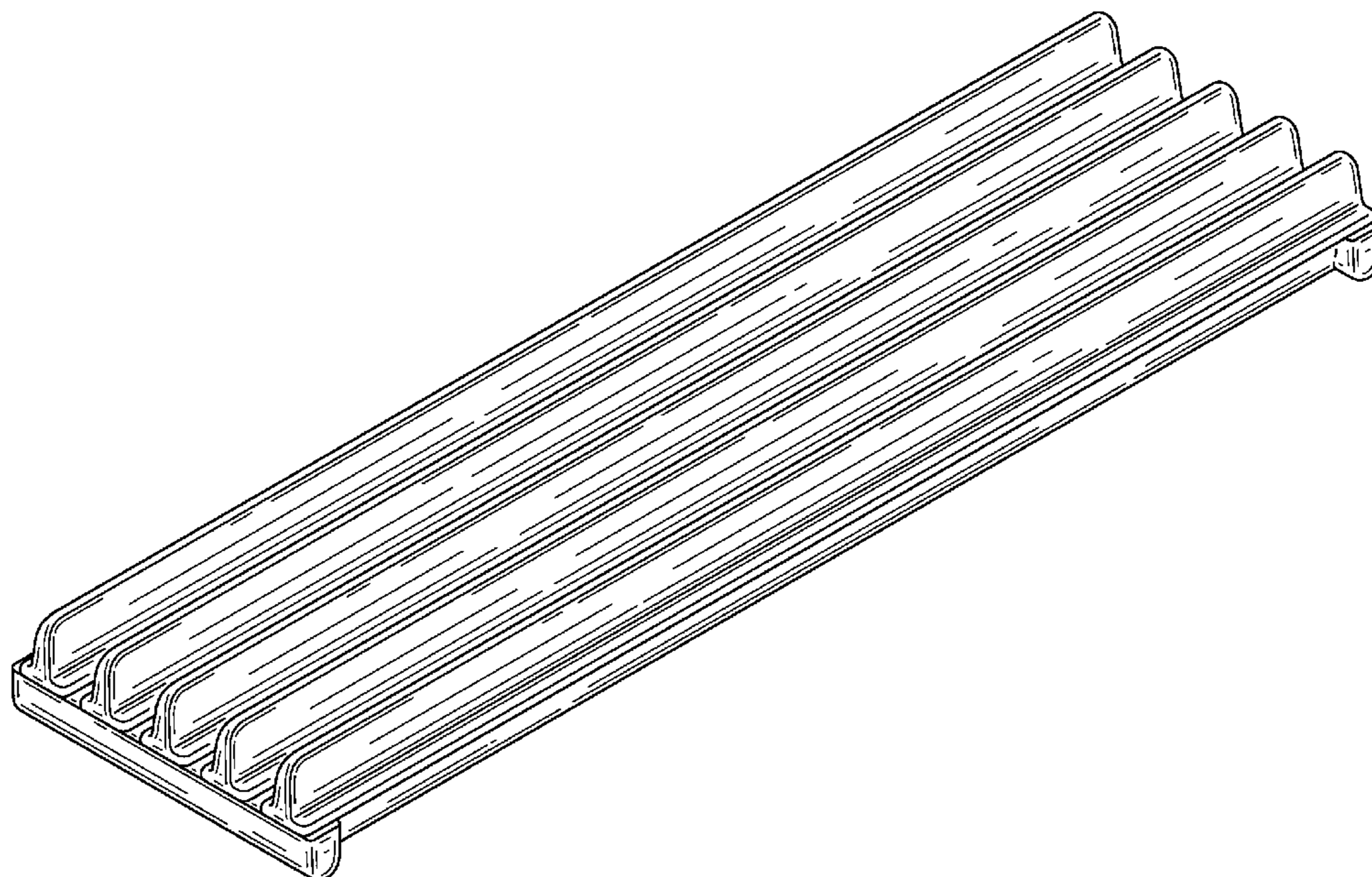
(57) **CLAIM**

The ornamental design for a grill grate, as shown and
described.

DESCRIPTION

FIG. 1 is a top perspective view of the grill grate;
FIG. 2 is a bottom perspective view thereof;
FIG. 3 is a front view thereof, a rear view being identical
thereto;
FIG. 4 is a left side view thereof, a right side view thereof
being identical thereto;
FIG. 5 is a top view thereof; and,
FIG. 6 is a bottom view thereof.

1 Claim, 4 Drawing Sheets



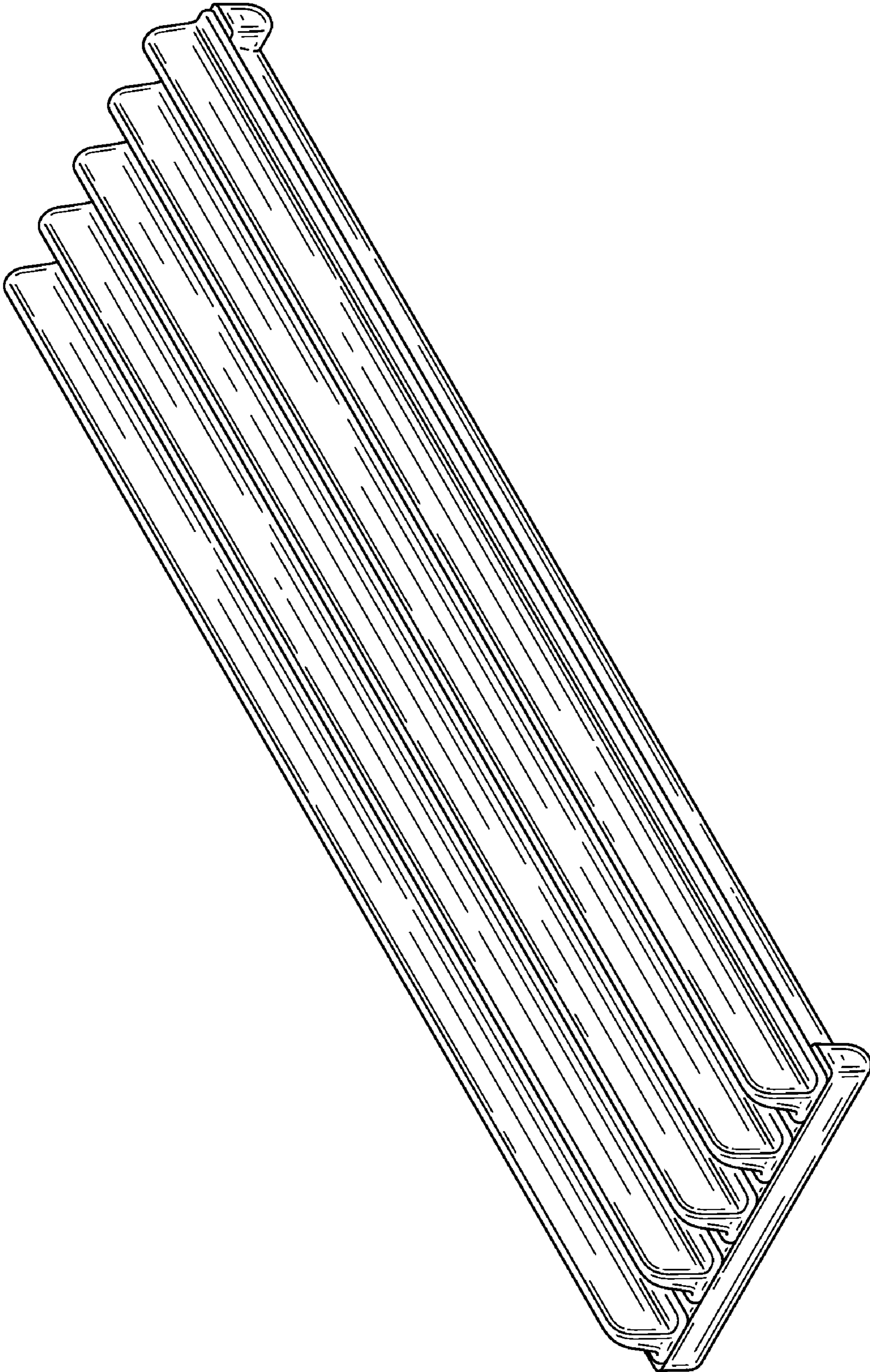


FIG. 1

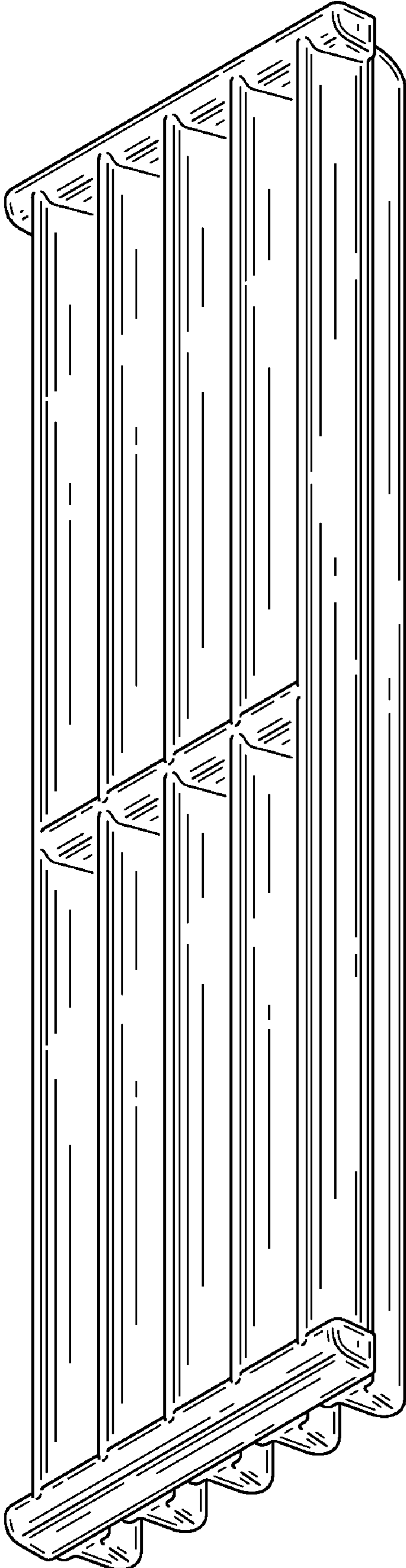


FIG. 2

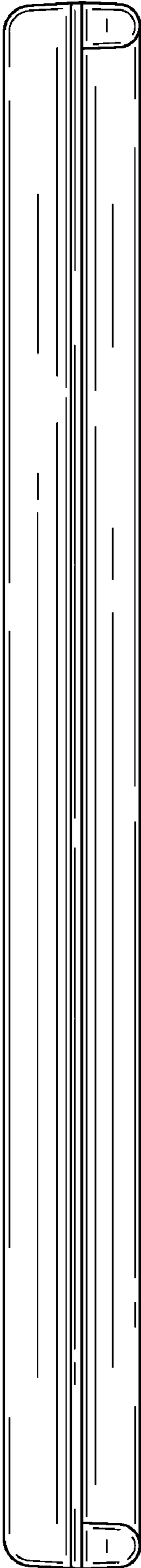


FIG. 3

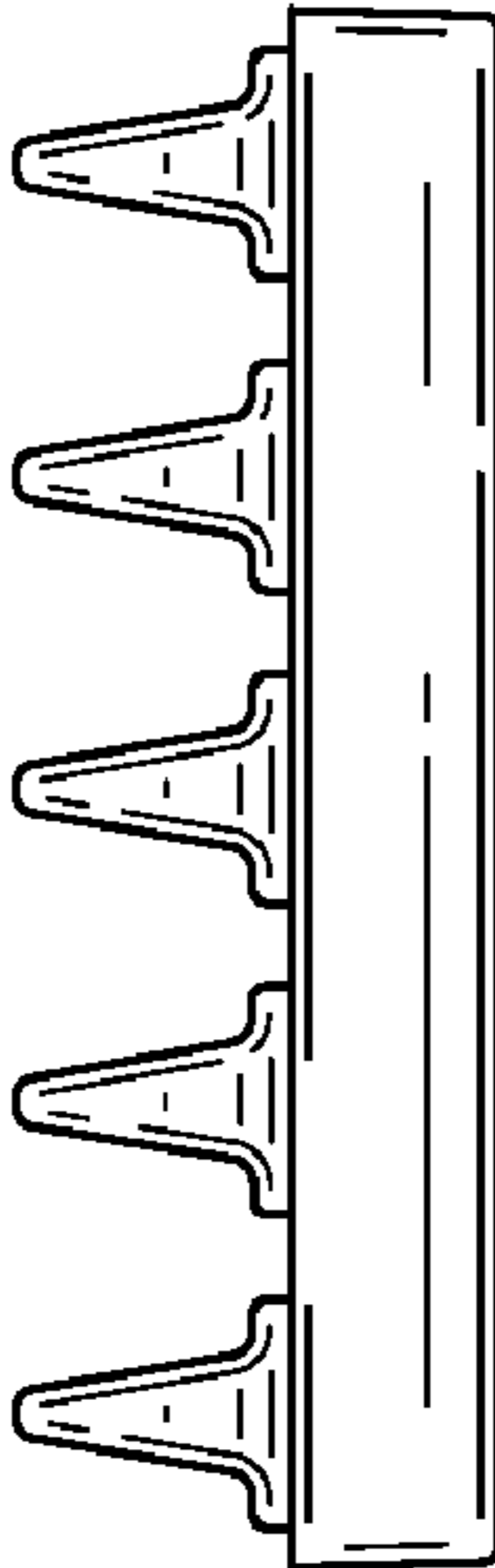


FIG. 4

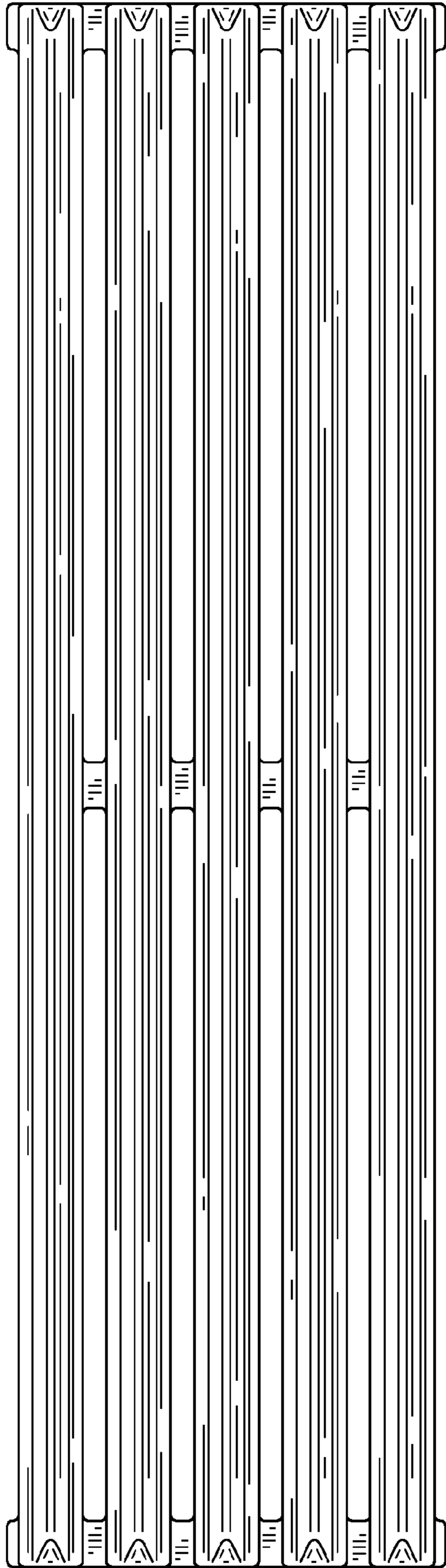


FIG. 5

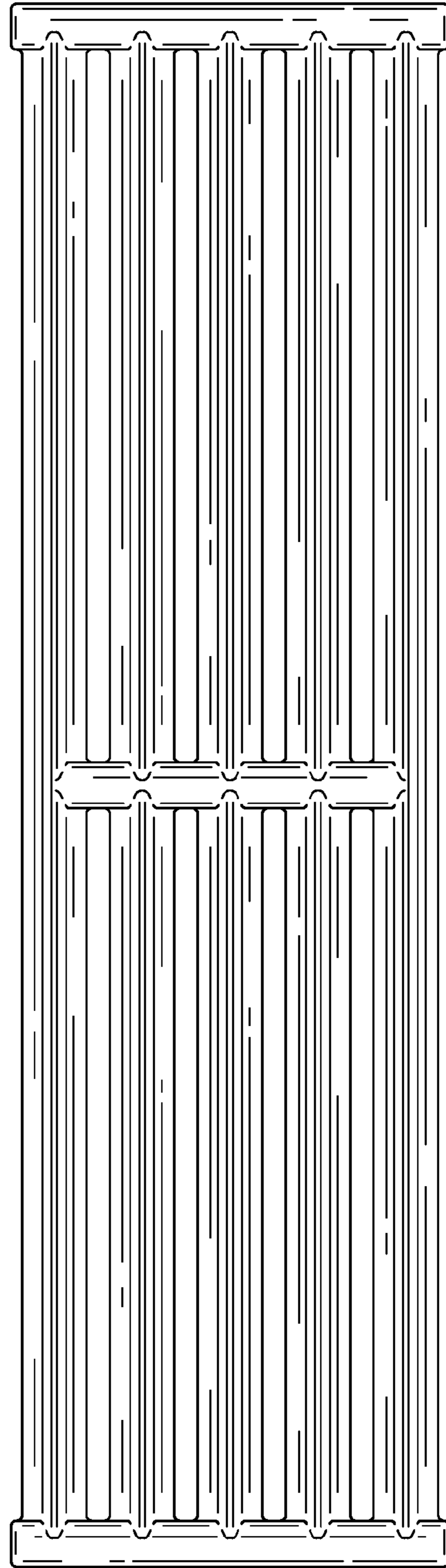


FIG. 6