



US00D610403S

(12) **United States Design Patent**
Russell

(10) **Patent No.:** **US D610,403 S**
(45) **Date of Patent:** **** Feb. 23, 2010**

(54) **BEVERAGE DISPENSER**

(75) Inventor: **Alistair John Livingstone Russell,**
Brighton (GB)

(73) Assignee: **Diago Great Britain Limited** (GB)

(**) Term: **14 Years**

(21) Appl. No.: **29/334,357**

(22) Filed: **Mar. 25, 2009**

(30) **Foreign Application Priority Data**

Sep. 26, 2008 (EM) 001009922

(51) **LOC (9) Cl.** **07-99**

(52) **U.S. Cl.** **D7/397; D7/307; D7/308**

(58) **Field of Classification Search** D7/397,
D7/300, 301, 306-311; D11/157; 222/129.1-129.4
See application file for complete search history.

(56) **References Cited**

U.S. PATENT DOCUMENTS

D202,327 S *	9/1965	Smith	D7/308
D311,296 S *	10/1990	Santoiemmo	D7/300
D401,477 S *	11/1998	Martindale	D7/590
D401,803 S *	12/1998	Alferink	D7/307
D412,262 S *	7/1999	Roundtree	D7/307
D481,253 S *	10/2003	Luzzato	D7/306
D483,223 S *	12/2003	Guadalupi	D7/398
D495,914 S *	9/2004	Drolette et al.	D7/306

D500,455 S *	1/2005	Munoz et al.	D10/101
D520,293 S *	5/2006	Prat-Pfister	D7/306
D562,066 S *	2/2008	Palmer-Baker	D7/398
D588,852 S *	3/2009	Stein	D7/301
D590,207 S *	4/2009	Bronwasser	D7/398

* cited by examiner

Primary Examiner—Marianne Pandozzi

(74) *Attorney, Agent, or Firm*—Brooks Kushman P.C.

(57) **CLAIM**

The ornamental design for a beverage dispenser, as shown and described.

DESCRIPTION

FIG. 1 is a perspective view of the beverage dispenser showing my new design as viewed from an upper position at one side and in front of the beverage dispenser.

FIG. 2 is a side view of the beverage dispenser as viewed from its one side.

FIG. 3 is a front view of the beverage dispenser.

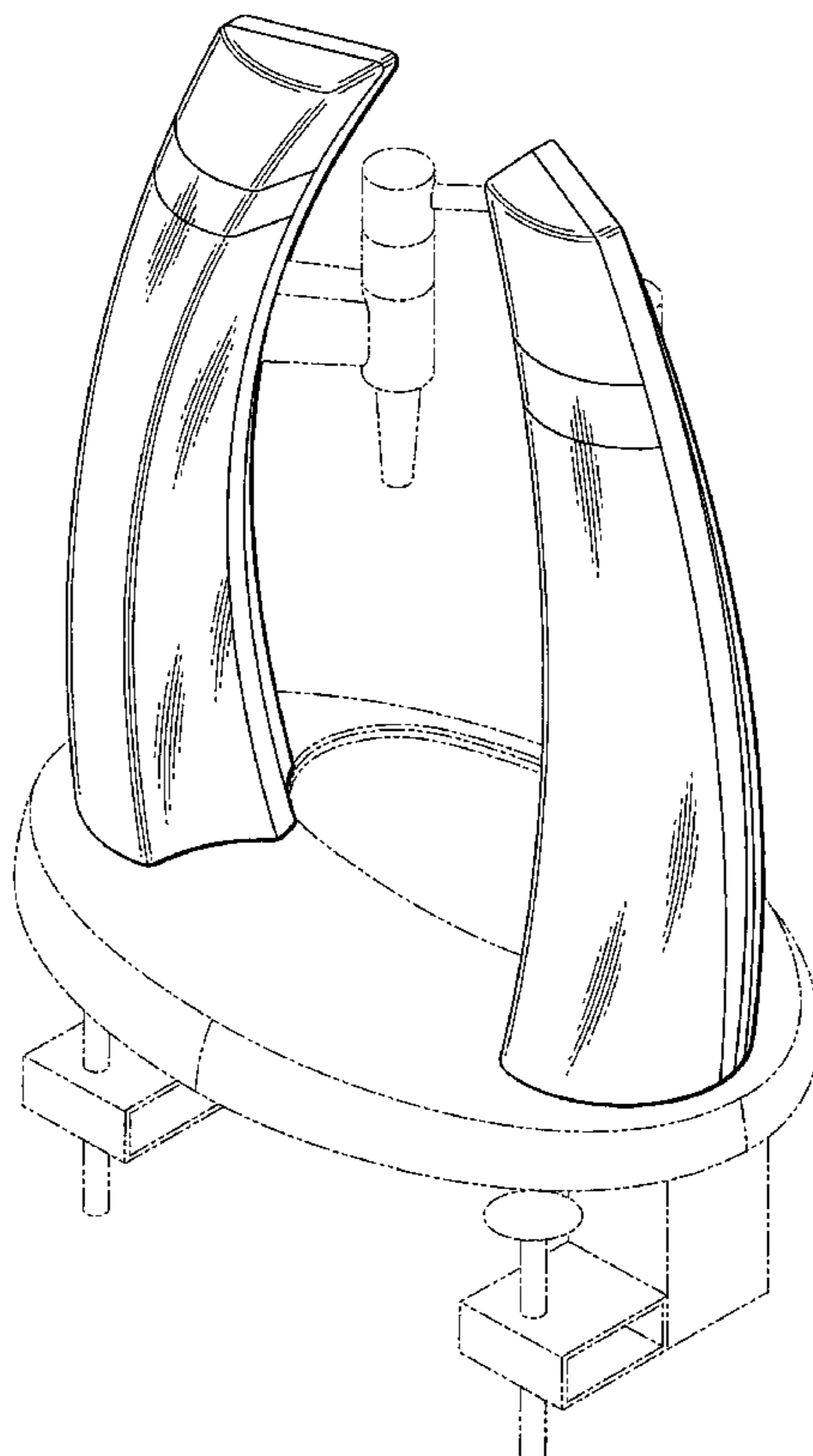
FIG. 4 is a side view of the beverage dispenser as viewed from its other side.

FIG. 5 is a top plan view of the beverage dispenser; and,

FIG. 6 is a rear view of the beverage dispenser.

The broken lines are for illustrative purposes only and form no part of the claimed design.

1 Claim, 6 Drawing Sheets



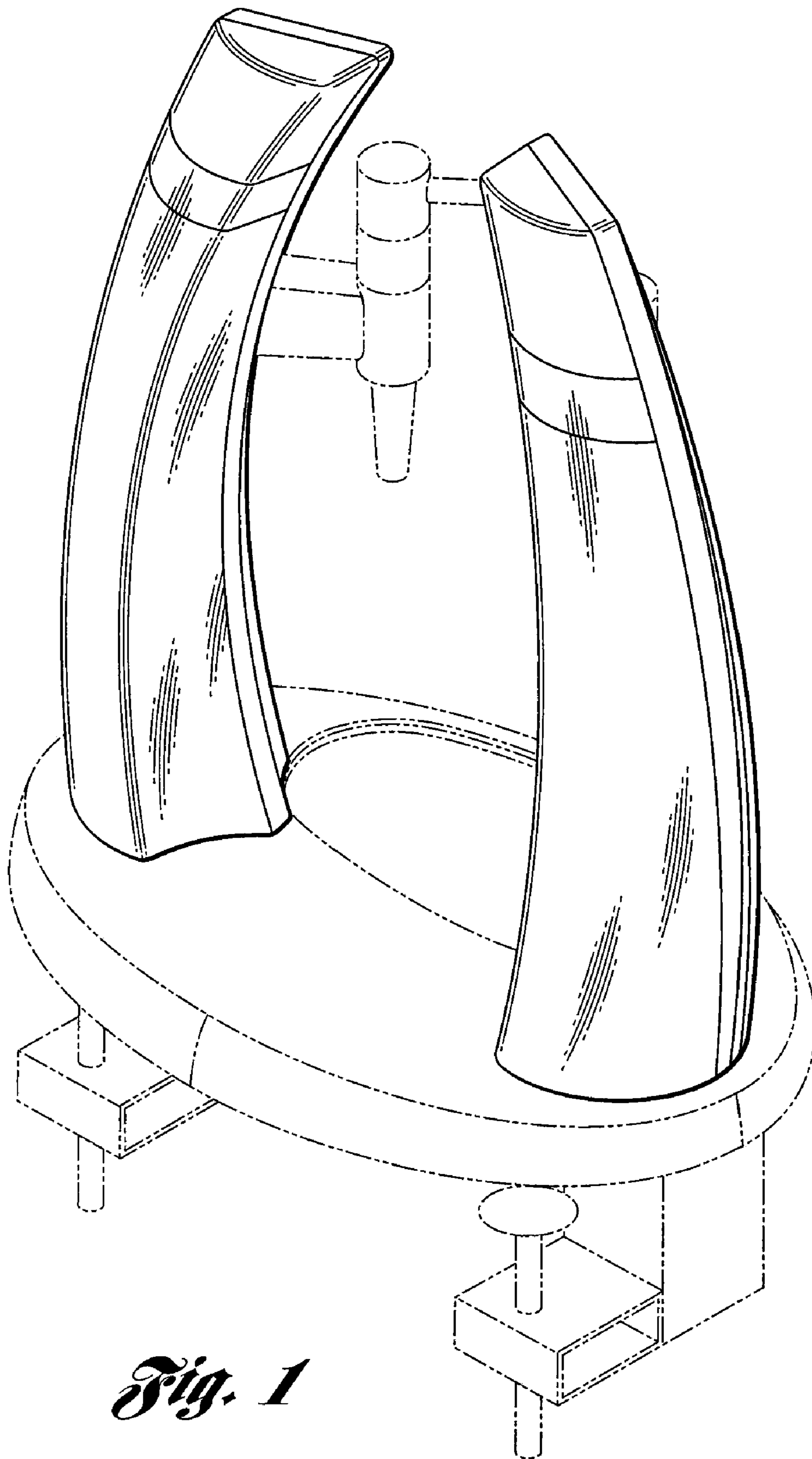


Fig. 1

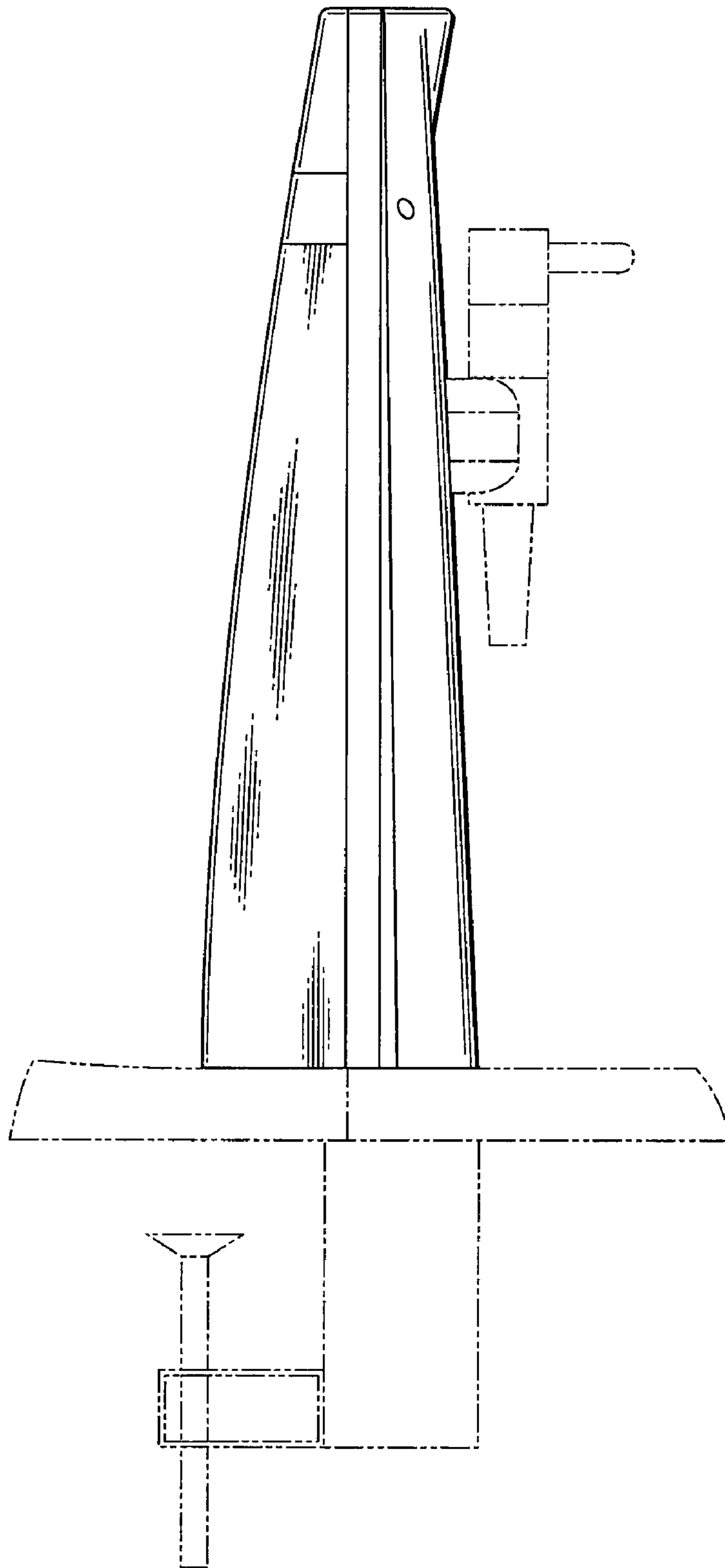


Fig. 2

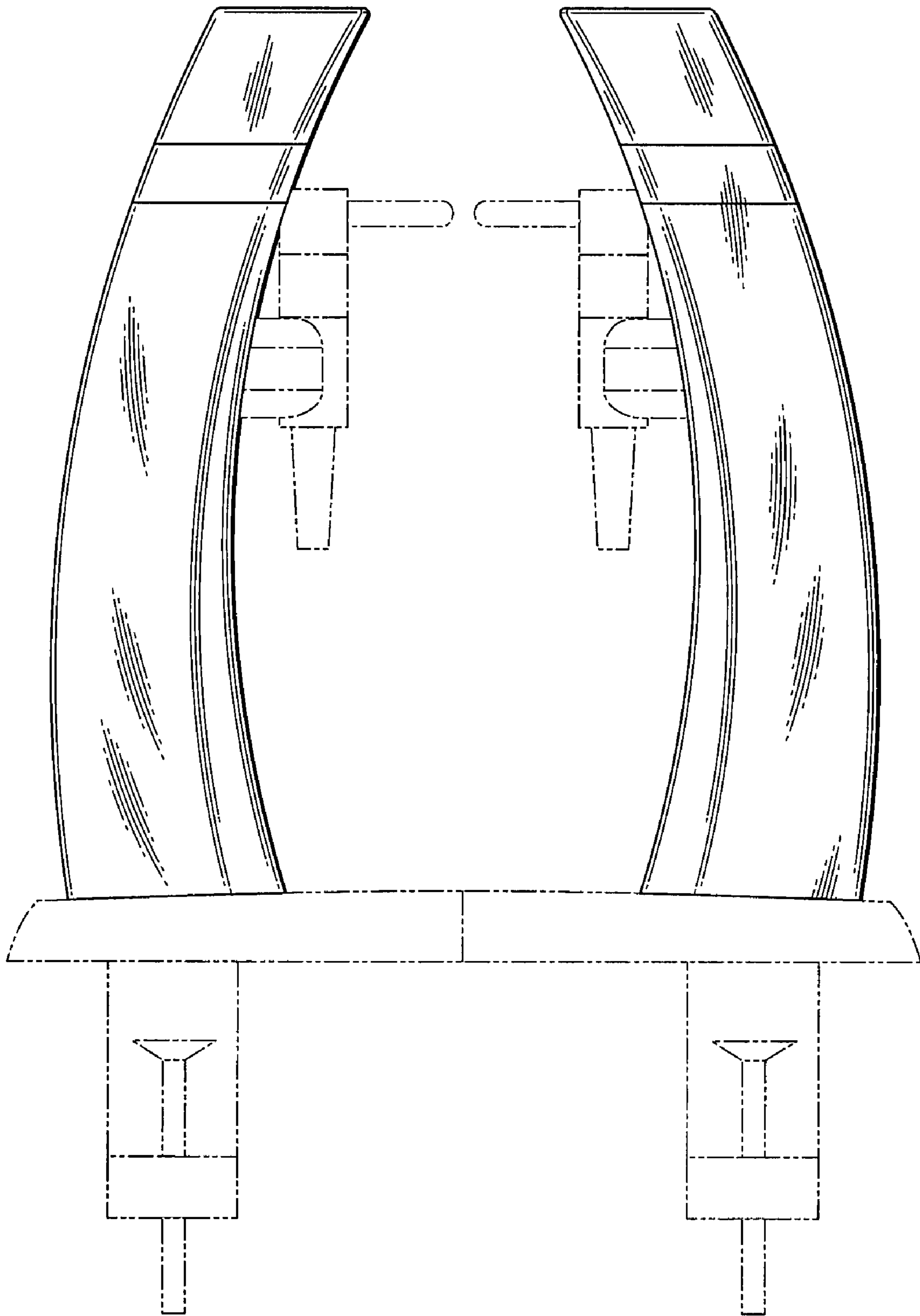


Fig. 3

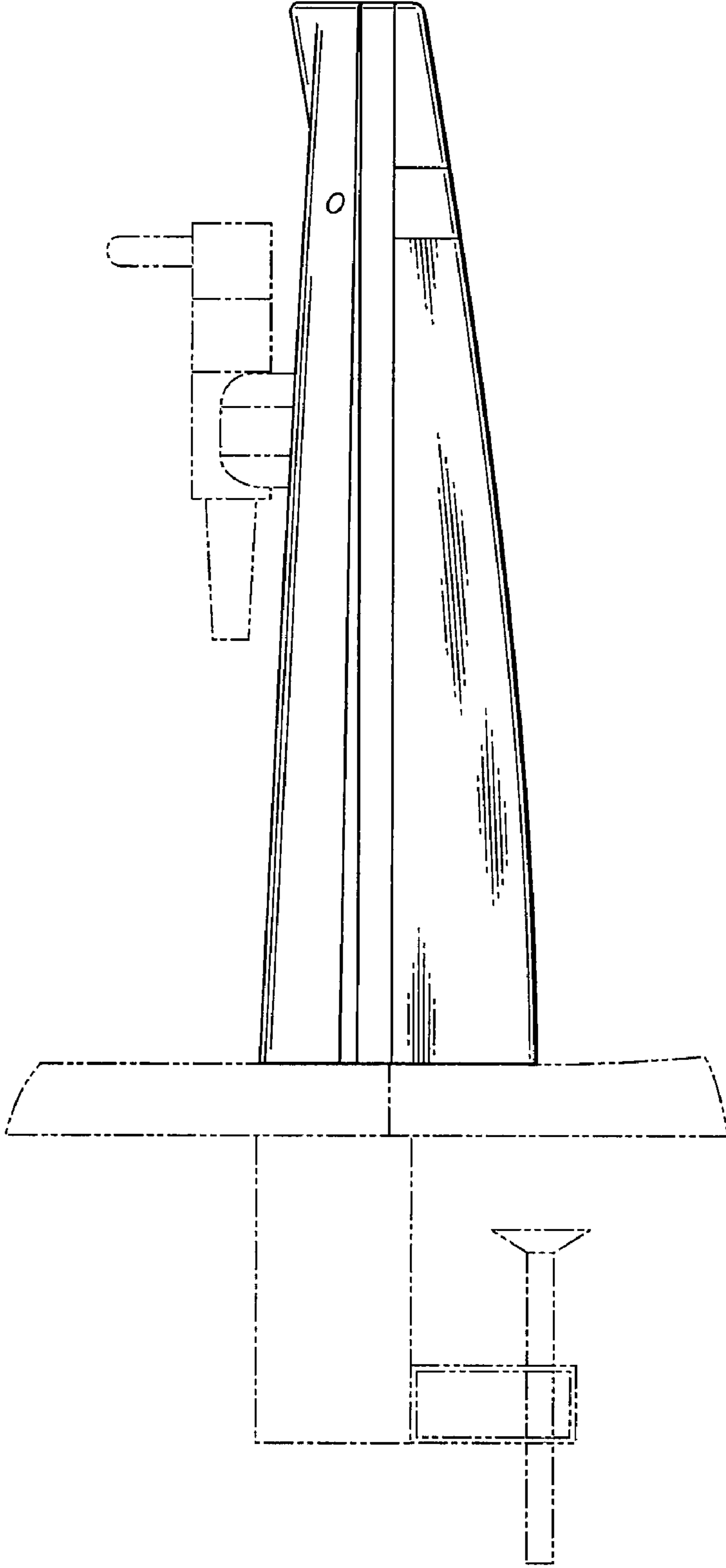


Fig. 4

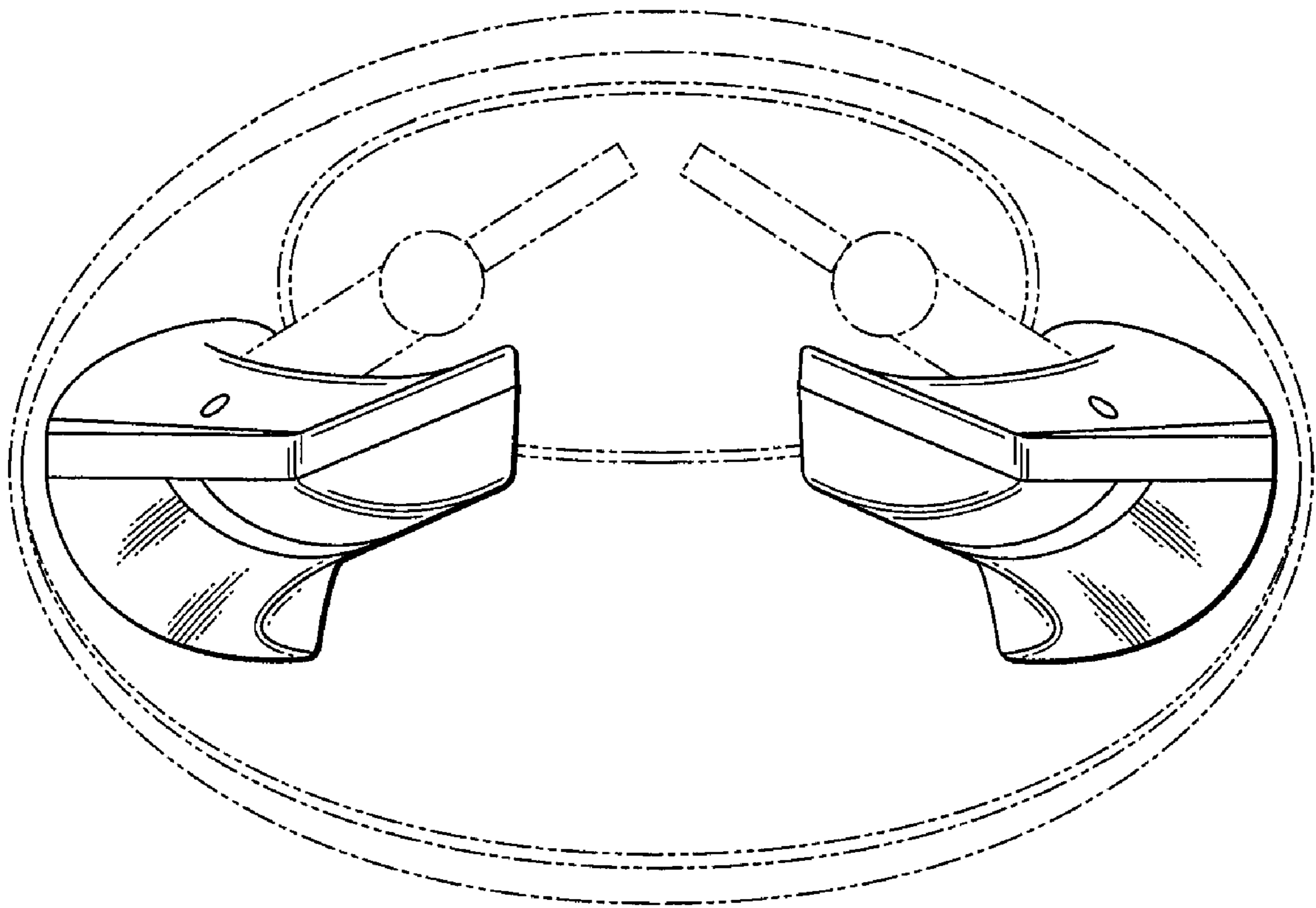


Fig. 5

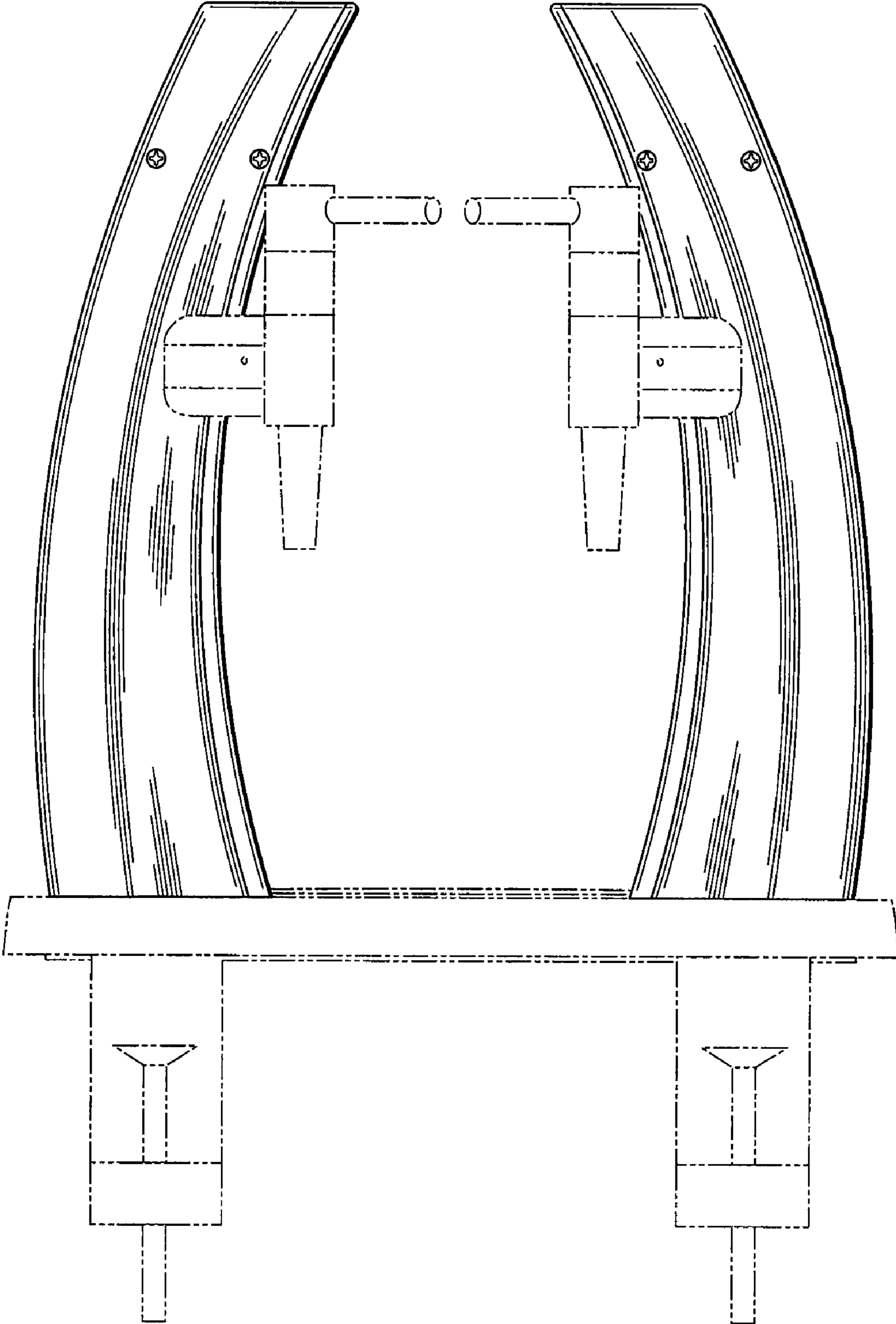


Fig. 6