



US00D610397S

(12) **United States Design Patent**
Rohrer

(10) **Patent No.:** **US D610,397 S**

(45) **Date of Patent:** **** Feb. 23, 2010**

(54) **SALAD CUTTER**

(75) Inventor: **Jeffrey S. Rohrer**, Kewaskum, WI (US)

(73) Assignee: **Regal Ware, Inc.**, Kewaskum, WI (US)

(**) Term: **14 Years**

(21) Appl. No.: **29/314,290**

(22) Filed: **Mar. 19, 2009**

1,840,400 A *	1/1932	Lebherz	248/362
1,928,718 A	10/1933	Covey		
1,942,766 A	2/1934	O'Banion		
D156,557 S	12/1949	Piker		
2,596,604 A *	5/1952	Schaeffer	241/280
2,695,643 A	11/1954	Aberer		
2,713,367 A *	7/1955	Aberer	241/282.1
2,945,298 A	7/1960	Guttman		
2,958,355 A	11/1960	Young		

(Continued)

Related U.S. Application Data

(63) Continuation of application No. 29/288,267, filed on Jun. 6, 2007, now Pat. No. Des. 597,785, which is a continuation-in-part of application No. 29/221,490, filed on Jan. 14, 2005, now Pat. No. Des. 543,774.

(51) **LOC (9) Cl.** **31-00**

(52) **U.S. Cl.** **D7/381**

(58) **Field of Classification Search** D7/317-318, D7/354-356, 372-386, 392, 412-415, 665-666, D7/679; D9/438, 449, 503; D15/82; 83/401, 83/417; 99/348, 509-511; 241/82.5, 903, 241/101.01-101.2, 166-169.1, 199.12, 274-278.2, 241/285.1-285.3, 291, 292.1; 248/362; 366/64-67, 98, 192, 197-211, 205-206, 366/241-254, 279-292, 341-343

See application file for complete search history.

(56) **References Cited**

U.S. PATENT DOCUMENTS

344,046 A	6/1886	Holmes		
399,587 A	3/1889	Warren		
419,103 A *	1/1890	Baltzley	241/82.5
859,368 A	7/1907	Collins		
913,187 A	2/1909	Amstein		
1,032,258 A *	7/1912	Wefing	241/277
1,114,411 A	10/1914	Stuver		
1,133,443 A	3/1915	Martin		
D56,561 S *	11/1920	Larsen	D15/82
1,373,843 A	4/1921	Sundberg		
1,738,896 A	12/1929	Hansen		
1,780,173 A	11/1930	Crowe		

FOREIGN PATENT DOCUMENTS

CA 1270657 6/1990

(Continued)

Primary Examiner—Caron Veynar

Assistant Examiner—Ricky Pham

(74) *Attorney, Agent, or Firm*—Ryan, Kromholz & Manion S.C.

(57) **CLAIM**

The ornamental design for a salad cutter, as shown and described.

DESCRIPTION

FIG. 1 is a top perspective view of the salad cutter of the present invention.

FIG. 2 is a left side view thereof;

FIG. 3 is a right side view thereof;

FIG. 4 is a rear side view thereof;

FIG. 5 is a front side view thereof;

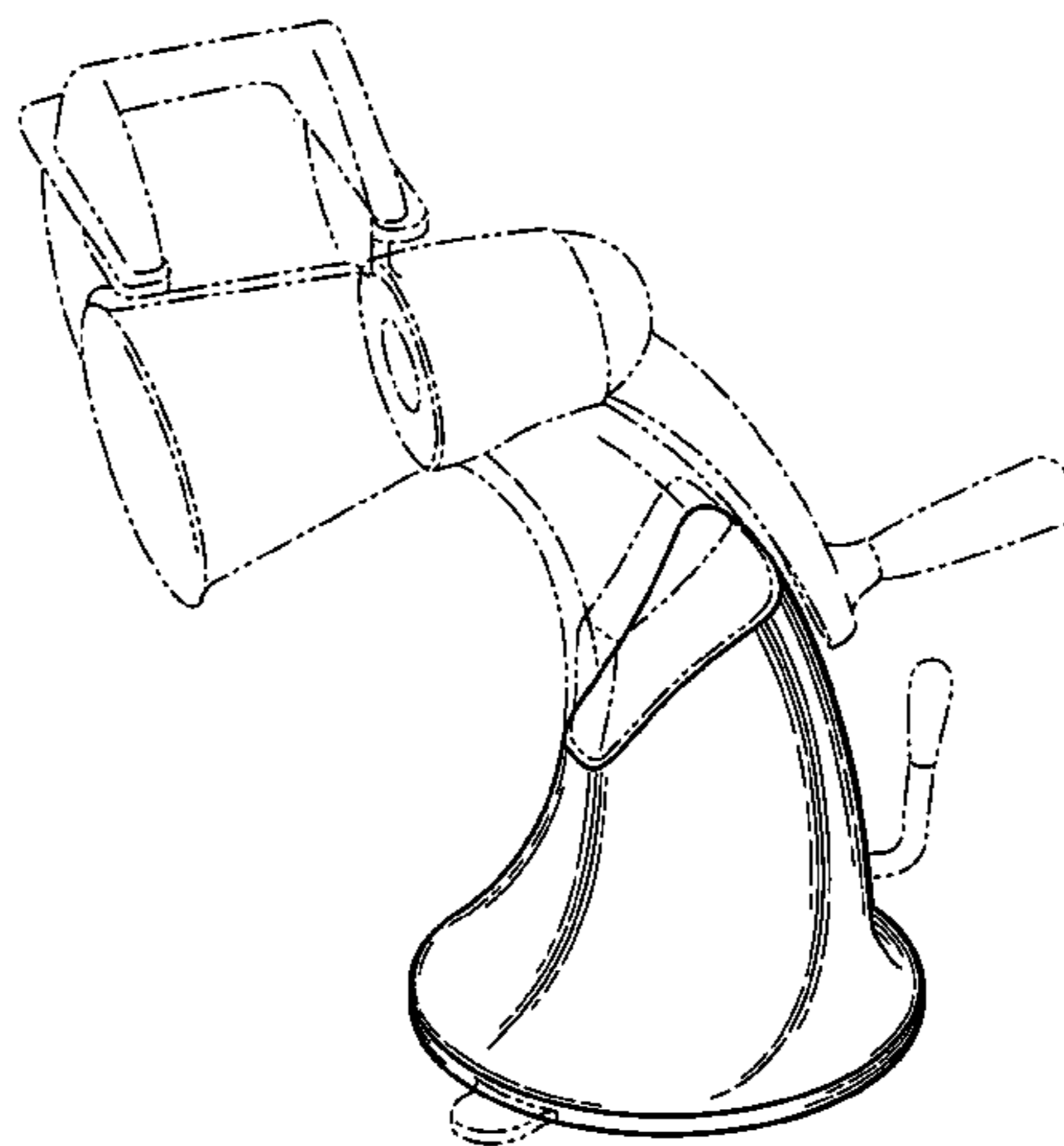
FIG. 6 is a top plan view thereof; and

FIG. 7 is a bottom plan view thereof; and,

FIG. 8 is an exploded view thereof.

The broken lines in the drawings are shown for illustrative purposes only and forms no part of the claimed design.

1 Claim, 4 Drawing Sheets



US D610,397 S

Page 2

U.S. PATENT DOCUMENTS

3,115,171	A	12/1963	Loveland
3,138,823	A	6/1964	Langner
D206,927	S	2/1967	Pompeil
3,353,266	A	11/1967	Goolsby
D215,390	S	9/1969	McGee
D217,691	S	5/1970	Earp
3,610,304	A	10/1971	Popeil et al.
3,664,021	A	5/1972	Sawyer
3,710,445	A	1/1973	Roth
3,711,945	A	1/1973	Cronheim
3,713,378	A	1/1973	West et al.
3,772,737	A	11/1973	Fleiss
D233,123	S	10/1974	Rigamonti
3,996,846	A	12/1976	Hupf
4,100,677	A	7/1978	Jeff
4,134,358	A	1/1979	Heermans
D253,155	S	10/1979	Jurida
4,199,841	A	4/1980	Jaccard
4,254,700	A	3/1981	Fleming
4,258,657	A	3/1981	Fritz
D260,129	S	8/1981	Shun
D260,351	S	8/1981	Shun
4,295,272	A	10/1981	Kubota
4,418,637	A	12/1983	Heermans
4,437,237	A	3/1984	Ducret
4,463,476	A	8/1984	Jaccard
4,534,858	A	8/1985	Aldrich et al.
4,606,823	A	8/1986	Lucas, III
4,667,085	A	5/1987	Rommel et al.
4,674,154	A	6/1987	Gilbert et al.
4,681,000	A	7/1987	Wolters
RE32,501	E	9/1987	Okada
D297,390	S	8/1988	Fehrmann
4,776,092	A	10/1988	Moores et al.
4,776,296	A	10/1988	Heermans
4,848,001	A	7/1989	Clark et al.
4,862,552	A	9/1989	Rommel
4,972,769	A	11/1990	Cailliot
5,023,927	A	6/1991	Bardell
5,144,749	A	9/1992	Chen

D344,213	S	2/1994	Johns
5,355,588	A	10/1994	Brandenburg, Jr. et al.
5,400,512	A	3/1995	Brush
5,463,942	A	11/1995	Hupf et al.
D365,971	S	1/1996	Brockmann
5,493,781	A	2/1996	Saito
D369,718	S	5/1996	Rohrer
5,531,095	A	7/1996	Hupf
D372,634	S	8/1996	Rohrer
D376,726	S	12/1996	Rohrer
D377,581	S	1/1997	Rohrer
D383,192	S	9/1997	Johnson
5,670,216	A	9/1997	Oak et al.
5,698,769	A	12/1997	Hupf
5,765,289	A	6/1998	Schulz et al.
5,765,431	A	6/1998	Hupf
5,787,779	A	8/1998	Garuglieri
D401,815	S	12/1998	Filipovic
D414,383	S	9/1999	Fitzgibbons et al.
6,004,000	A	12/1999	Hupf et al.
D424,889	S *	5/2000	Yip D7/679
6,080,496	A	6/2000	Hupf et al.
6,094,824	A	8/2000	Takeshita
6,209,750	B1	4/2001	Rommel
6,260,733	B1	7/2001	Eimerman
6,282,794	B1	9/2001	Cho et al.
D475,253	S *	6/2003	Yip D7/666
D484,738	S	1/2004	Wong
D496,824	S *	10/2004	Meshes D7/373
D531,850	S *	11/2006	Wong D7/372
D597,785	S *	8/2009	Rohrer D7/381

FOREIGN PATENT DOCUMENTS

CA	2131876	9/2002
CH	642245	4/1984
DE	611489	3/1935
DE	9003291	7/1990
IT	573580	2/1958
KR	105515	10/1996
WO	WO 97/24469	7/1997

* cited by examiner

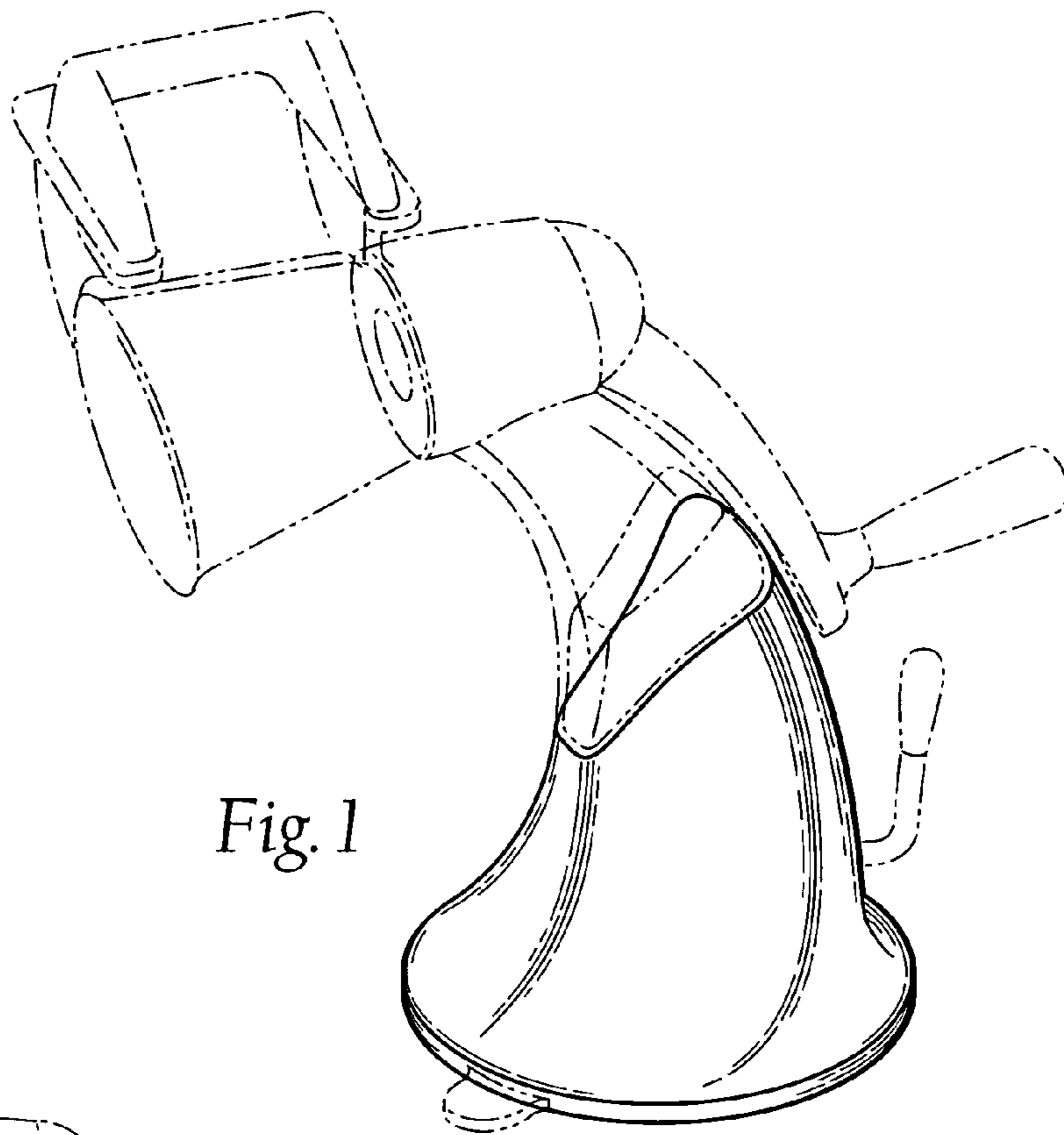


Fig. 1

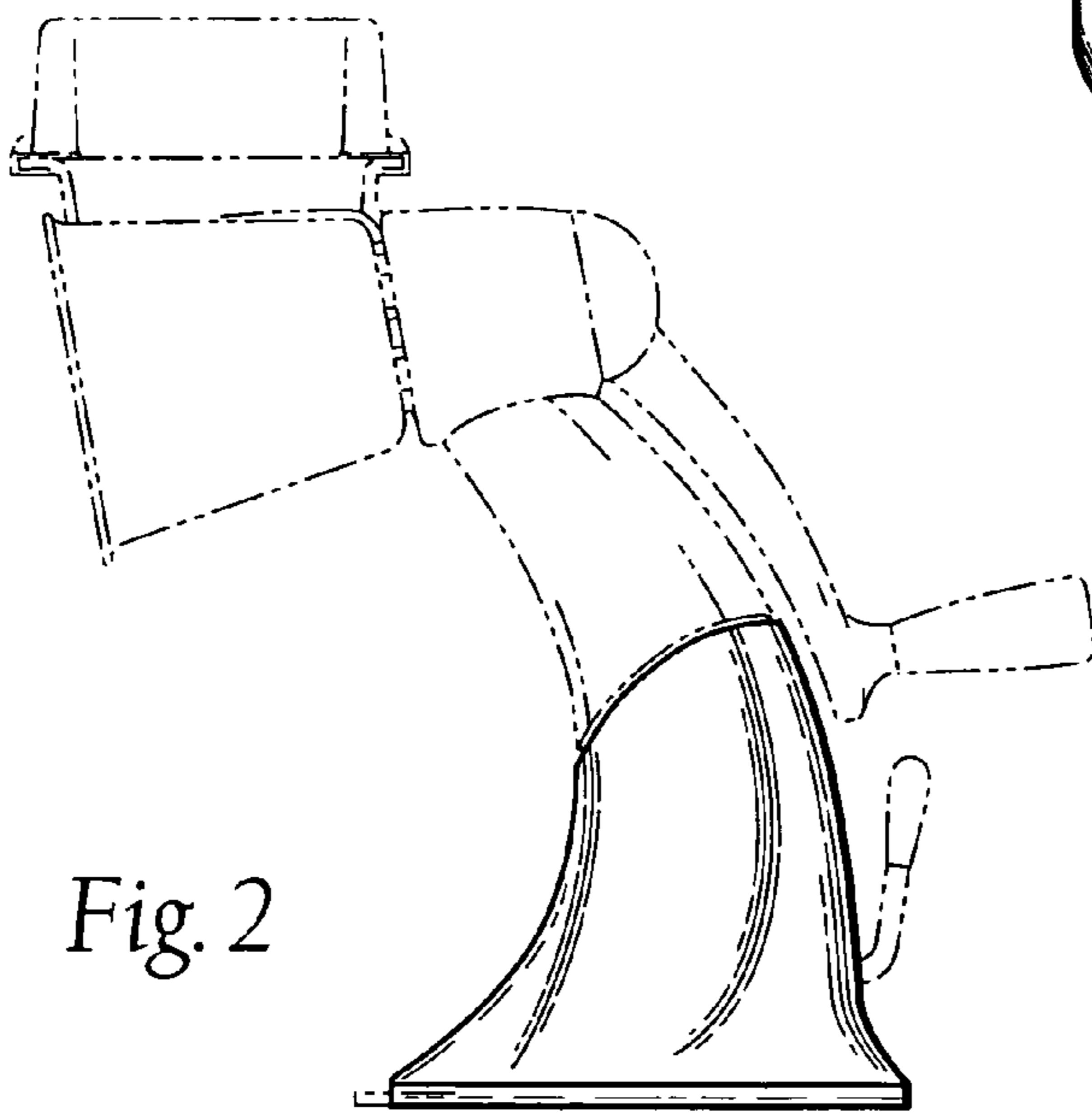


Fig. 2

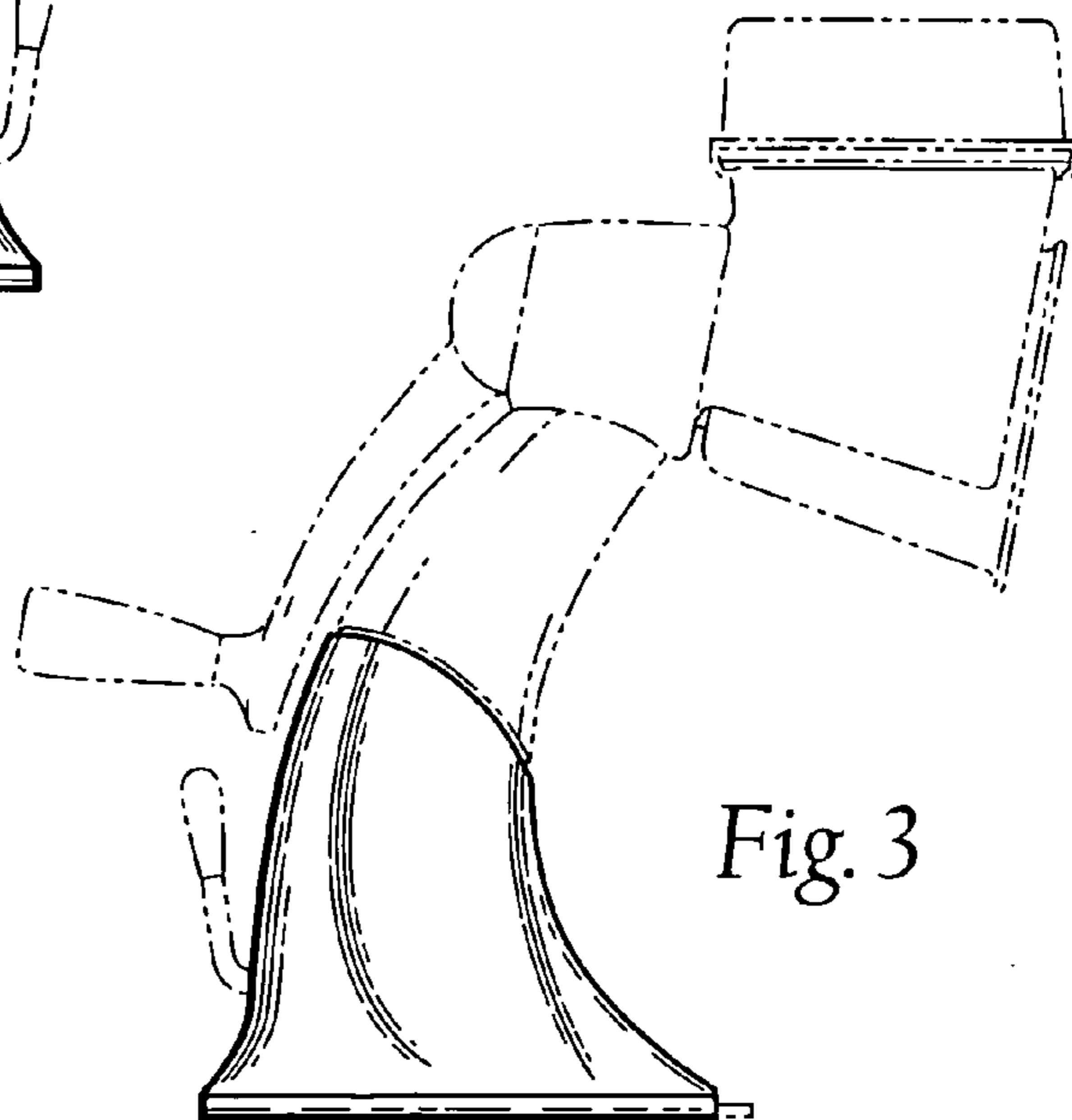


Fig. 3

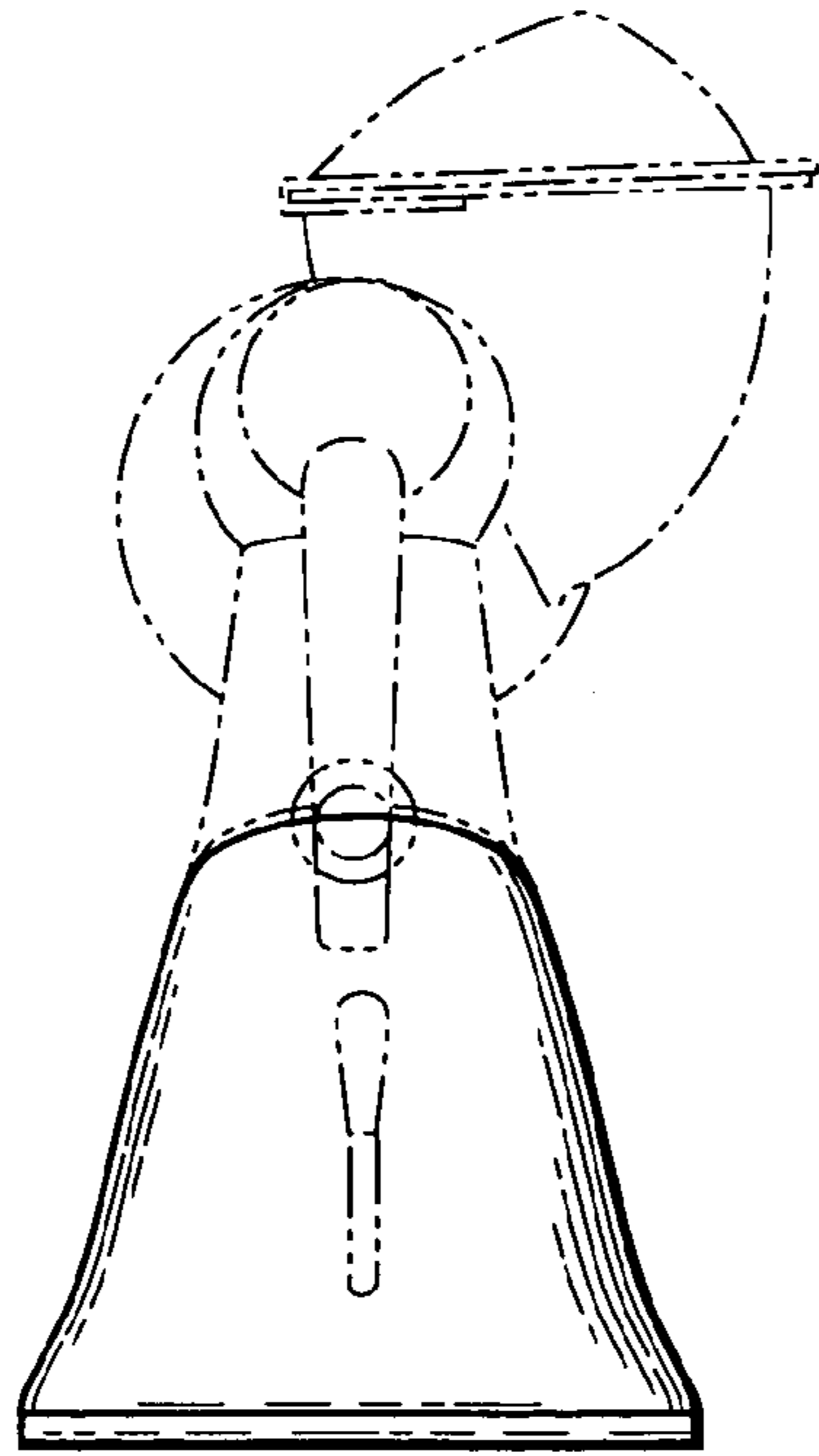


Fig. 4

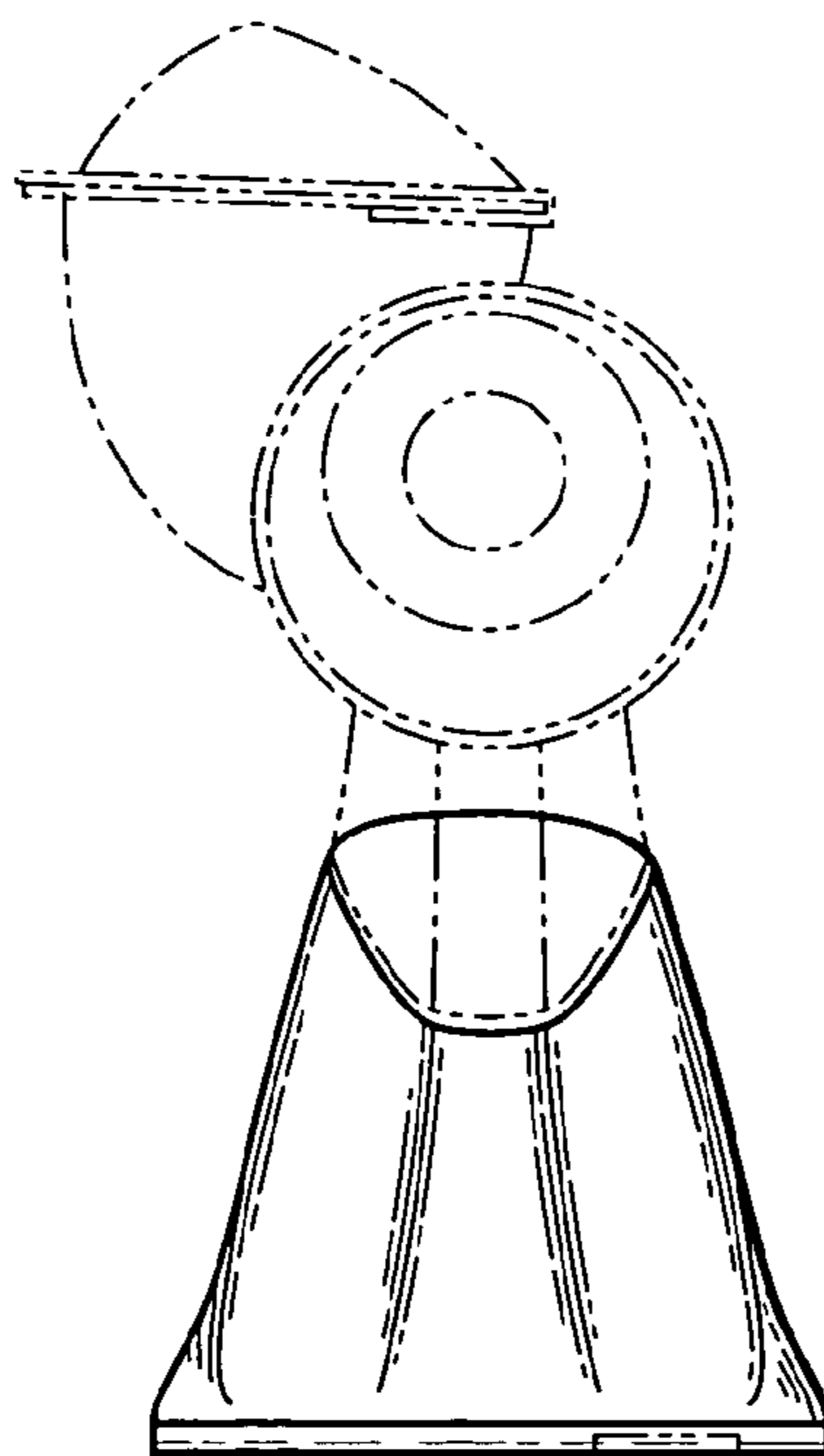


Fig. 5

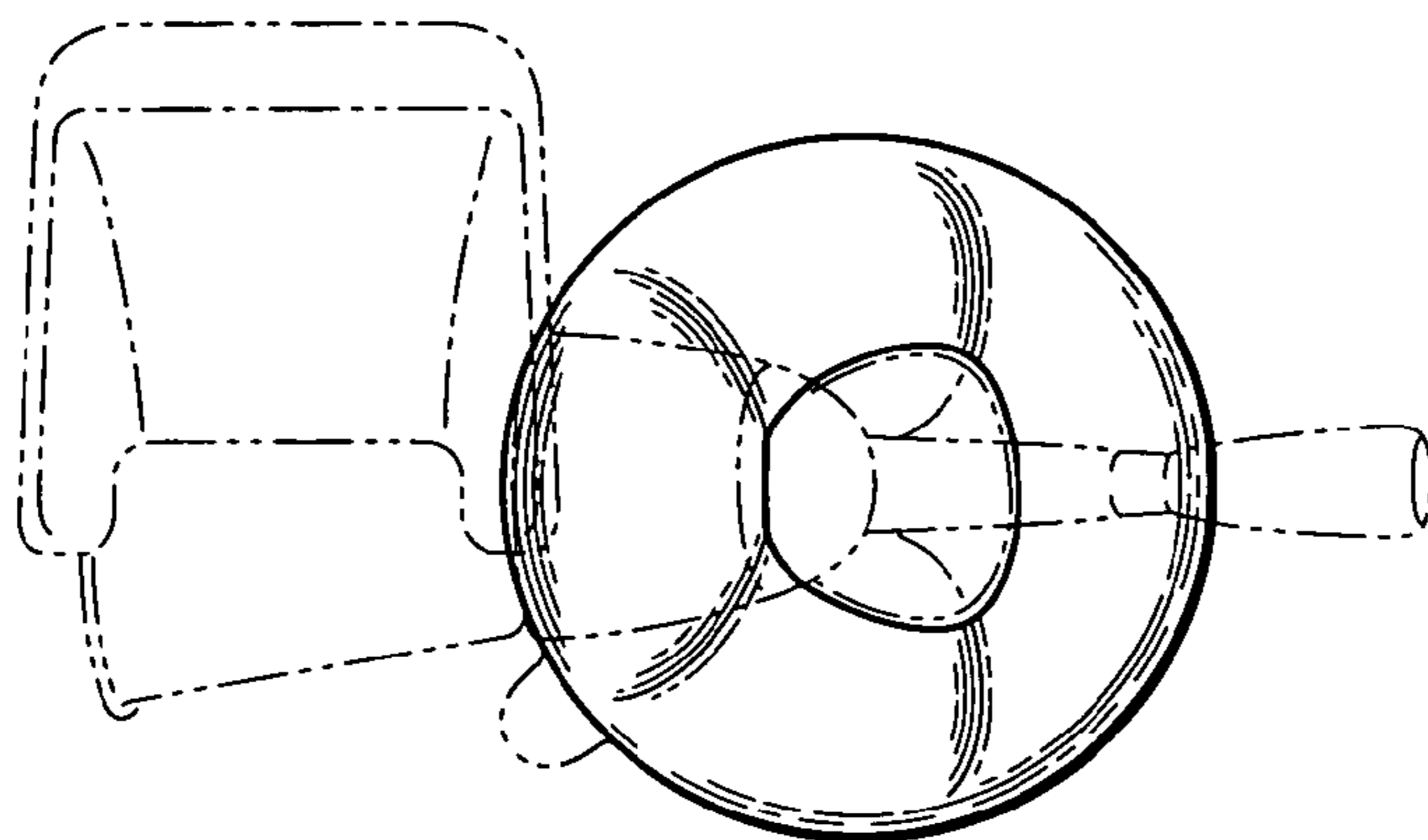


Fig. 6

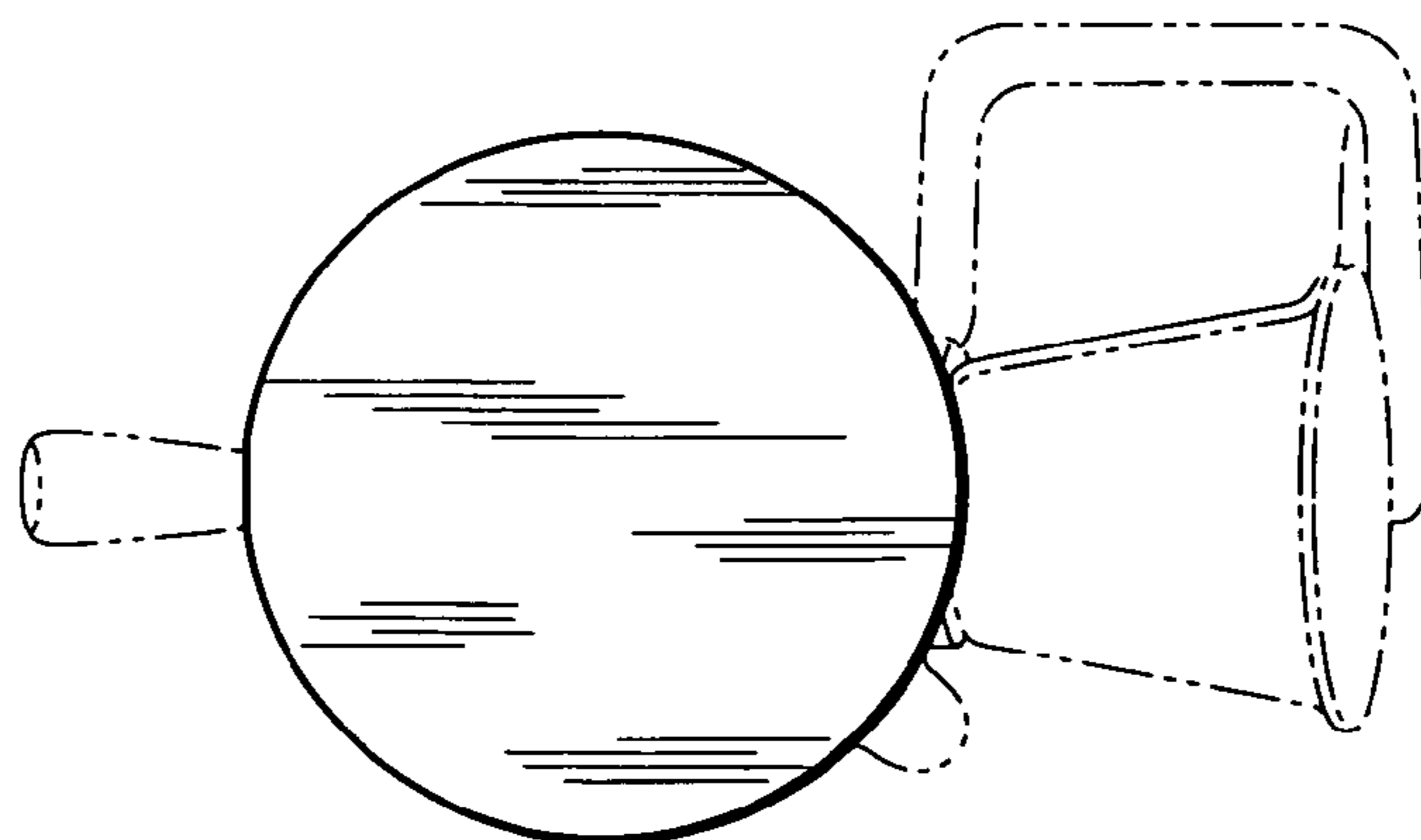


Fig. 7

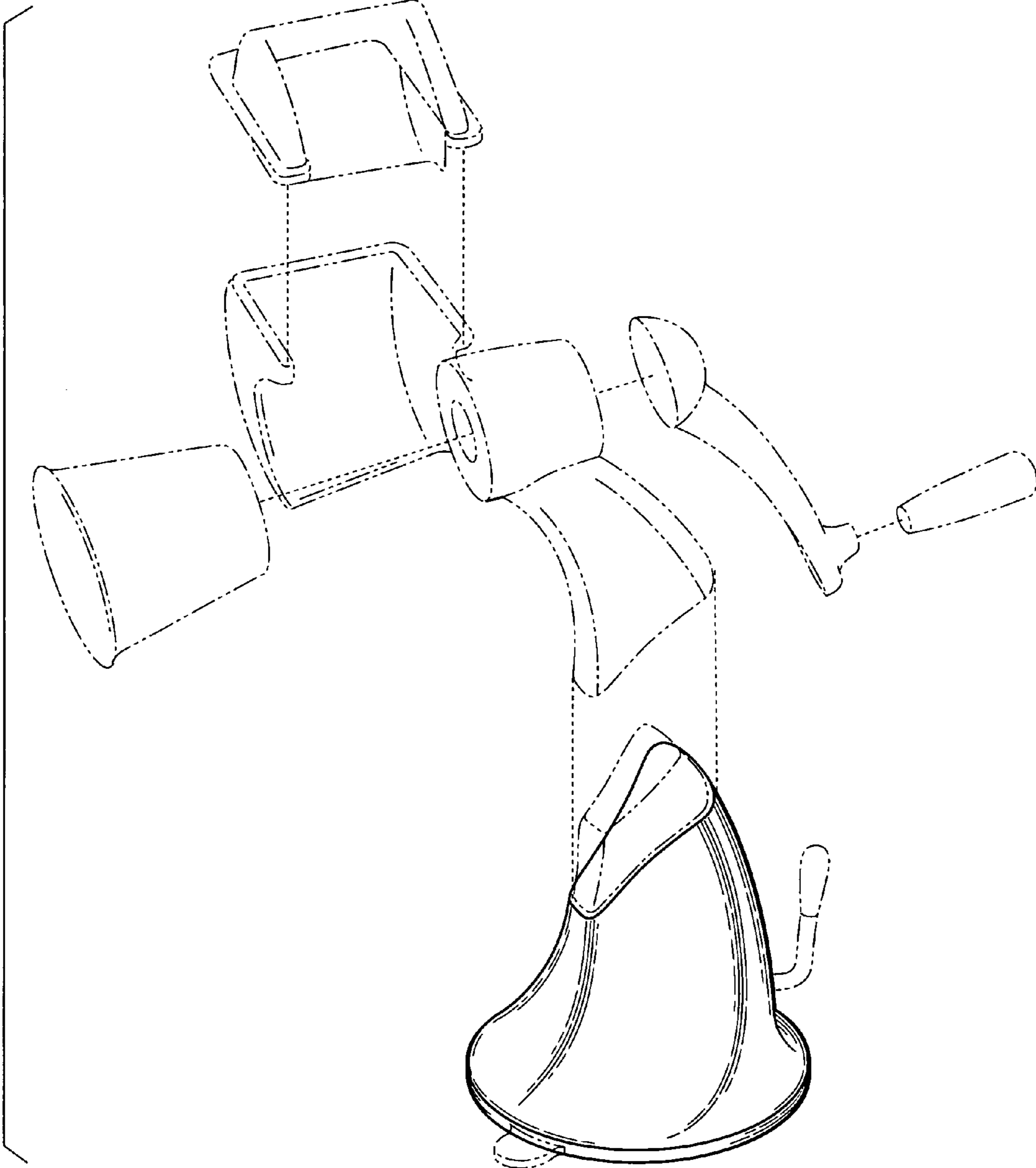


Fig. 8

Disclaimer

D. 610,397—Jeffrey S. Rohrer, Kewaskum, WI (US) SALAD CUTTER. Patent dated Feb. 23, 2010.
Disclaimer filed Jul. 12, 2010, by the assignee, Regal Ware.

Hereby enters this disclaimer to claim 1, of said patent.

(Official Gazette, August 24, 2010)