



US00D610396S

(12) **United States Design Patent**  
**Chiang**

(10) **Patent No.:** **US D610,396 S**

(45) **Date of Patent:** **\*\* Feb. 23, 2010**

(54) **MEAT MINCER**

(75) Inventor: **Tung-Han Chiang**, Taichung Hsien  
(TW)

(73) Assignee: **Crocean Industry Co., Ltd.**, Taichung  
Hsien (TW)

(\*\*) Term: **14 Years**

(21) Appl. No.: **29/330,088**

(22) Filed: **Dec. 29, 2008**

(51) **LOC (9) Cl.** ..... **31-00**

(52) **U.S. Cl.** ..... **D7/372**

(58) **Field of Classification Search** ..... D7/317-318,  
D7/356, 372-386, 412-415, 665; 99/348,  
99/357, 501-513; 241/30-37.5, 101.01-101.2,  
241/166-169.1, 274-278.2, 285.1-285.3,  
241/291, 292.1; 366/64-67, 98, 142, 192,  
366/197-211, 203-207, 241-254, 279-292,  
366/341-347; 476/58

See application file for complete search history.

(56) **References Cited**

**U.S. PATENT DOCUMENTS**

1,951,826 A \* 3/1934 Foster ..... 241/37.5  
D222,209 S \* 10/1971 Dykes ..... D7/372

D236,283 S \* 8/1975 McCue ..... D7/372  
D362,597 S \* 9/1995 Kim ..... D7/665  
D376,736 S \* 12/1996 Kim ..... D7/665  
D526,539 S \* 8/2006 Yip et al. .... D7/665

\* cited by examiner

*Primary Examiner*—Caron Veynar

*Assistant Examiner*—Ricky Pham

(74) *Attorney, Agent, or Firm*—Rabin & Berdo, P.C.

(57) **CLAIM**

The ornamental design for a meat mincer, as shown and described.

**DESCRIPTION**

FIG. 1 is a perspective view of a meat mincer, showing my new design;

FIG. 2 is a front view thereof;

FIG. 3 is a rear view thereof;

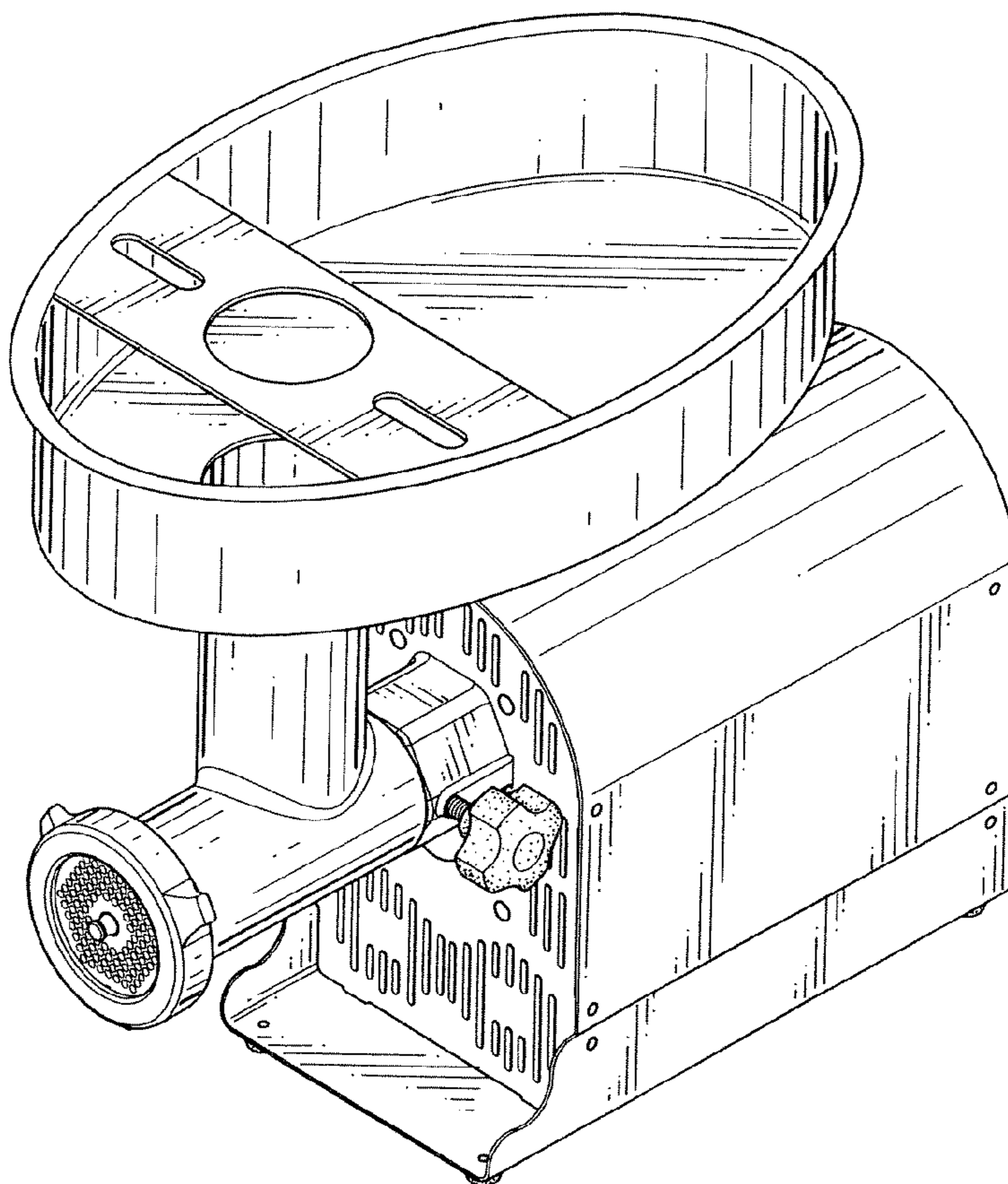
FIG. 4 is a left side view thereof;

FIG. 5 is a right side view thereof;

FIG. 6 is a top view thereof, wherein the broken lines are shown for illustrative purposes only and form no part of the claimed design; and,

FIG. 7 is a bottom view thereof.

**1 Claim, 6 Drawing Sheets**



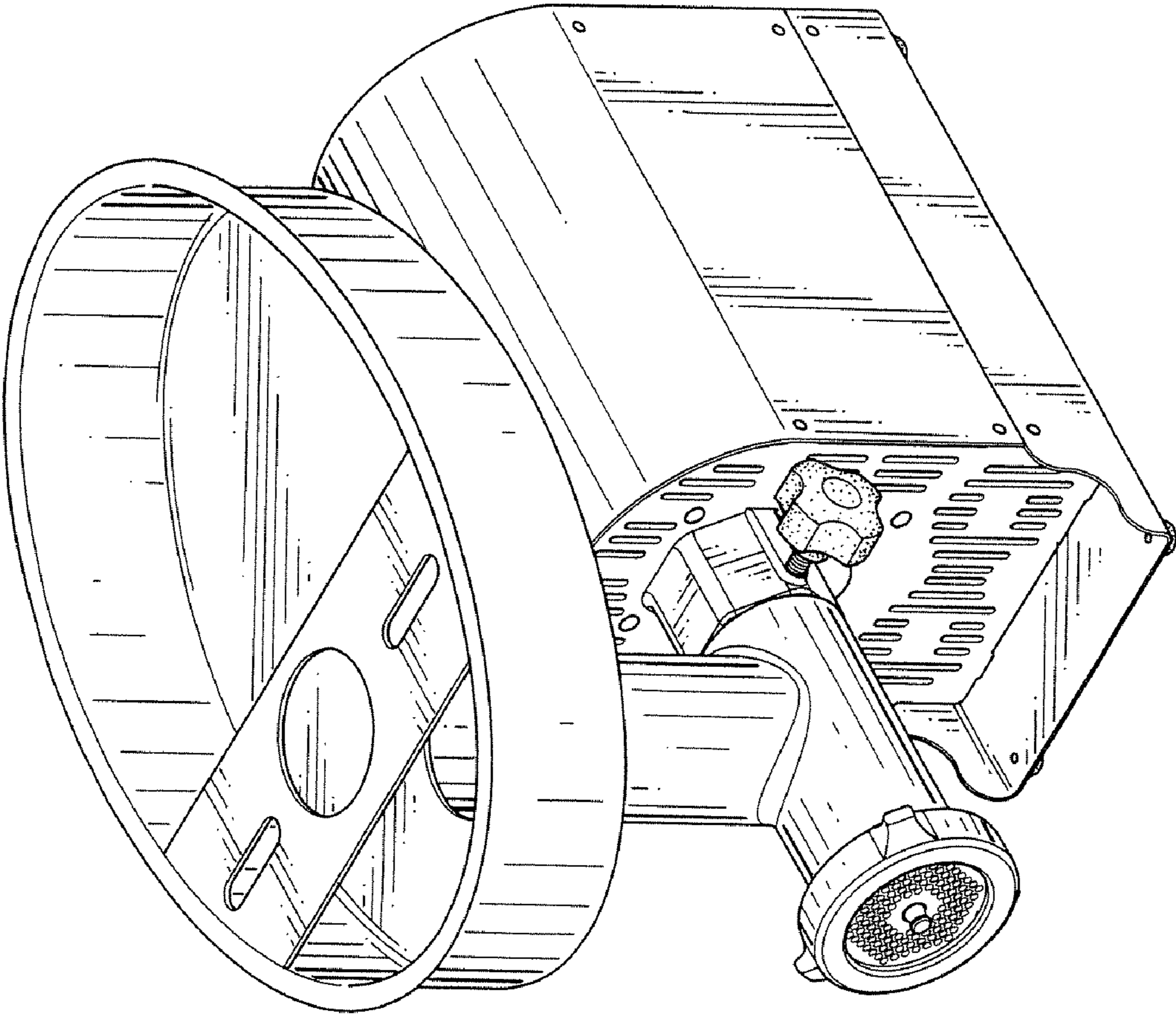


FIG.1

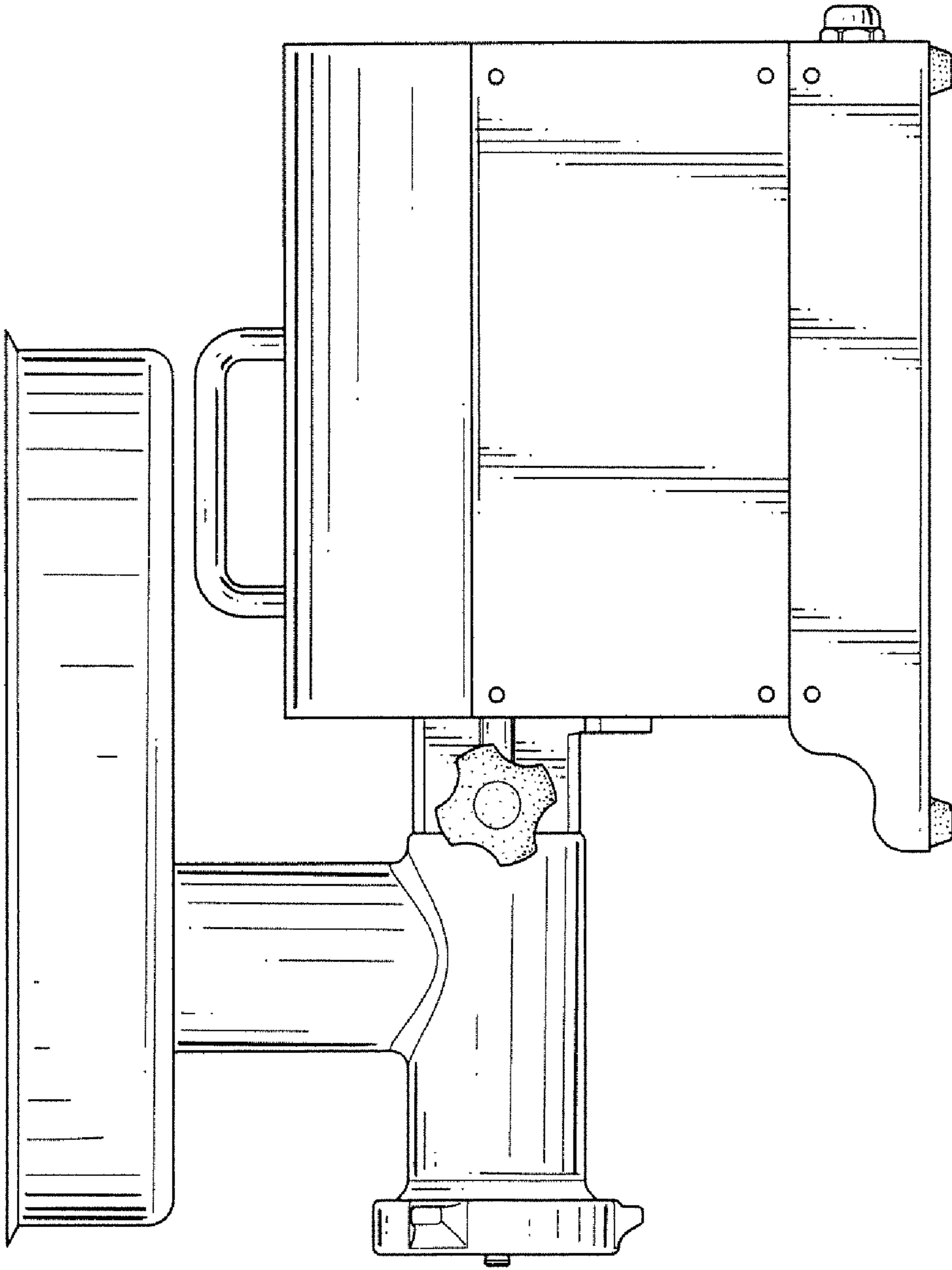


FIG.2

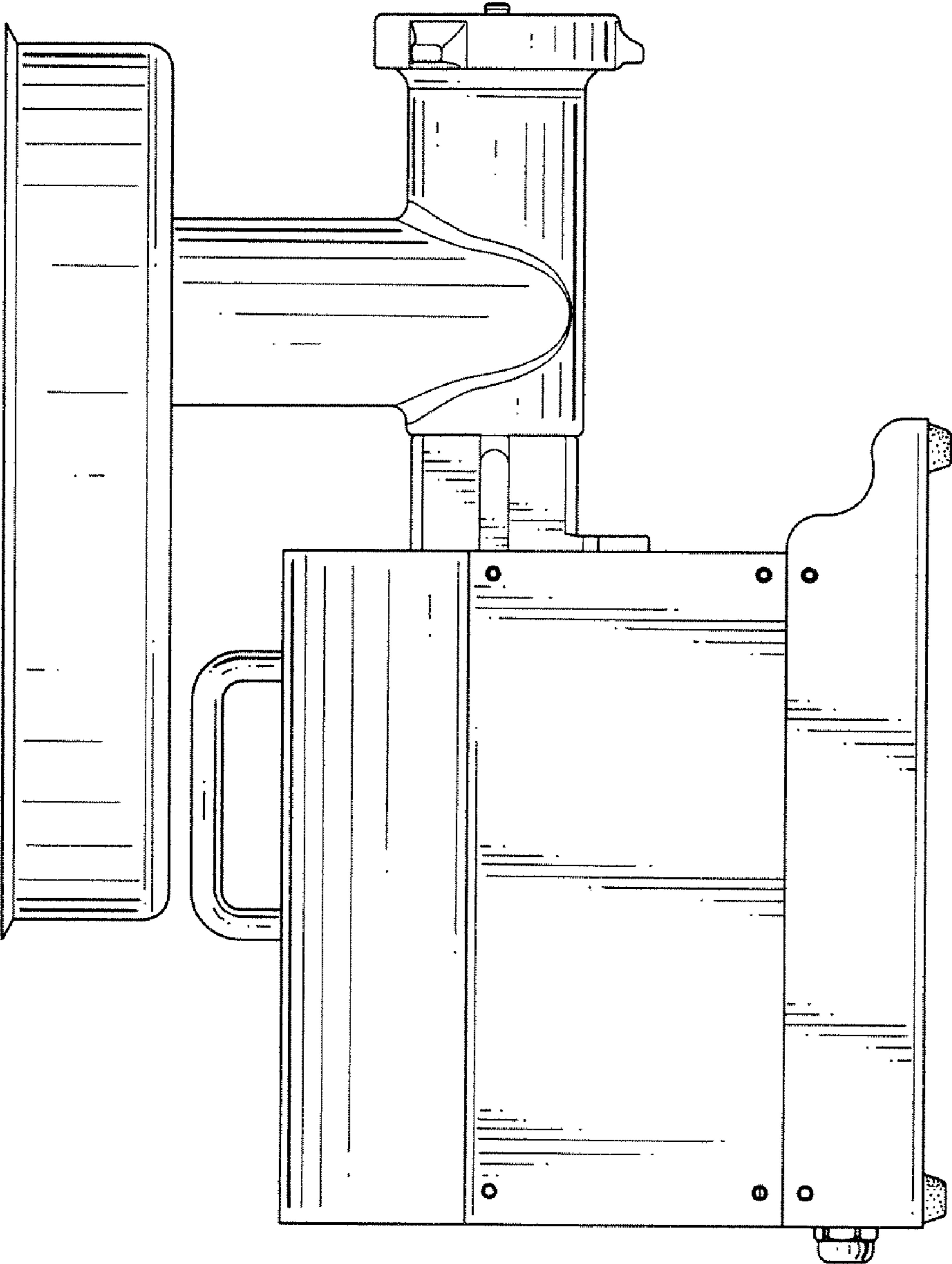


FIG.3

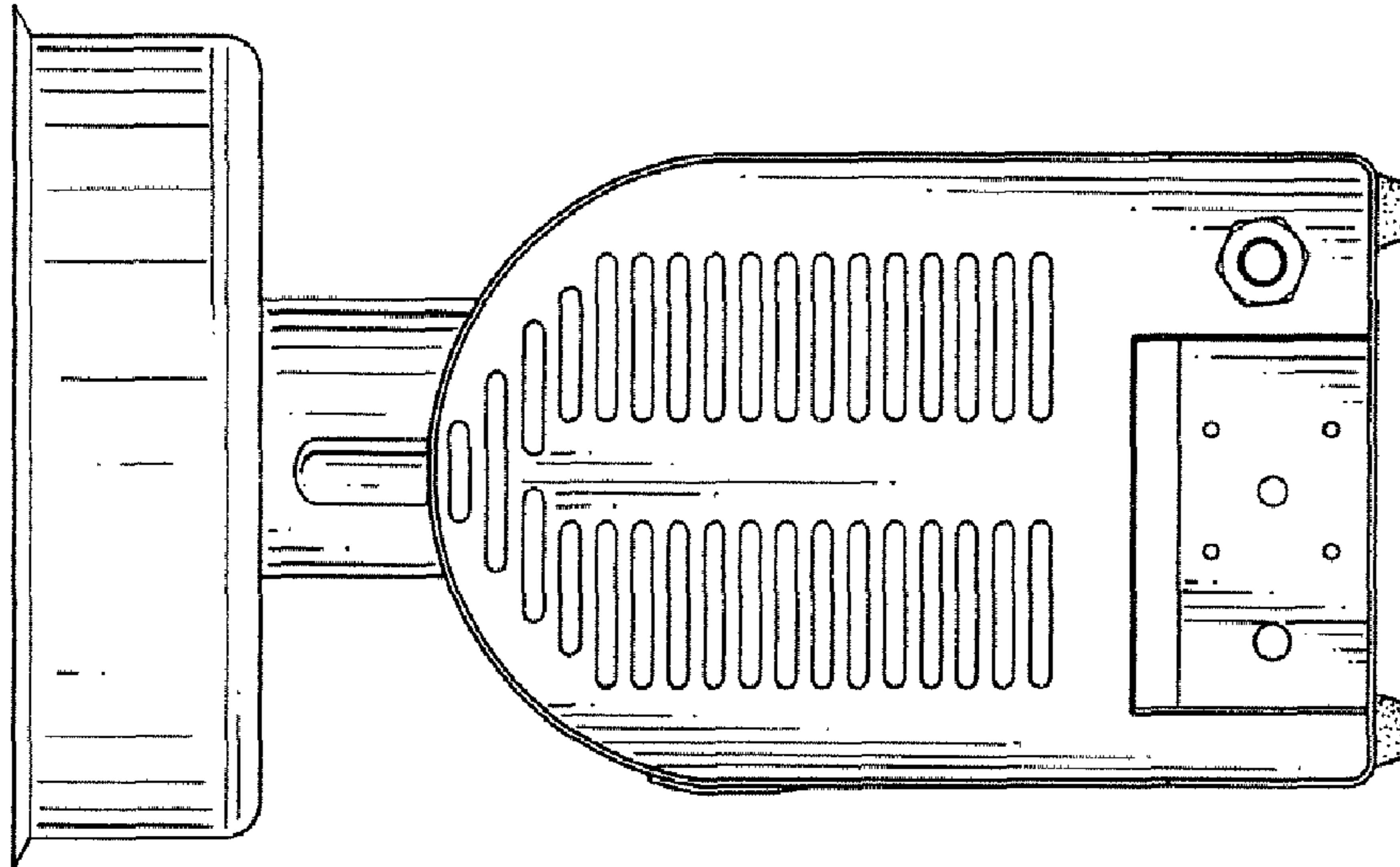


FIG.5

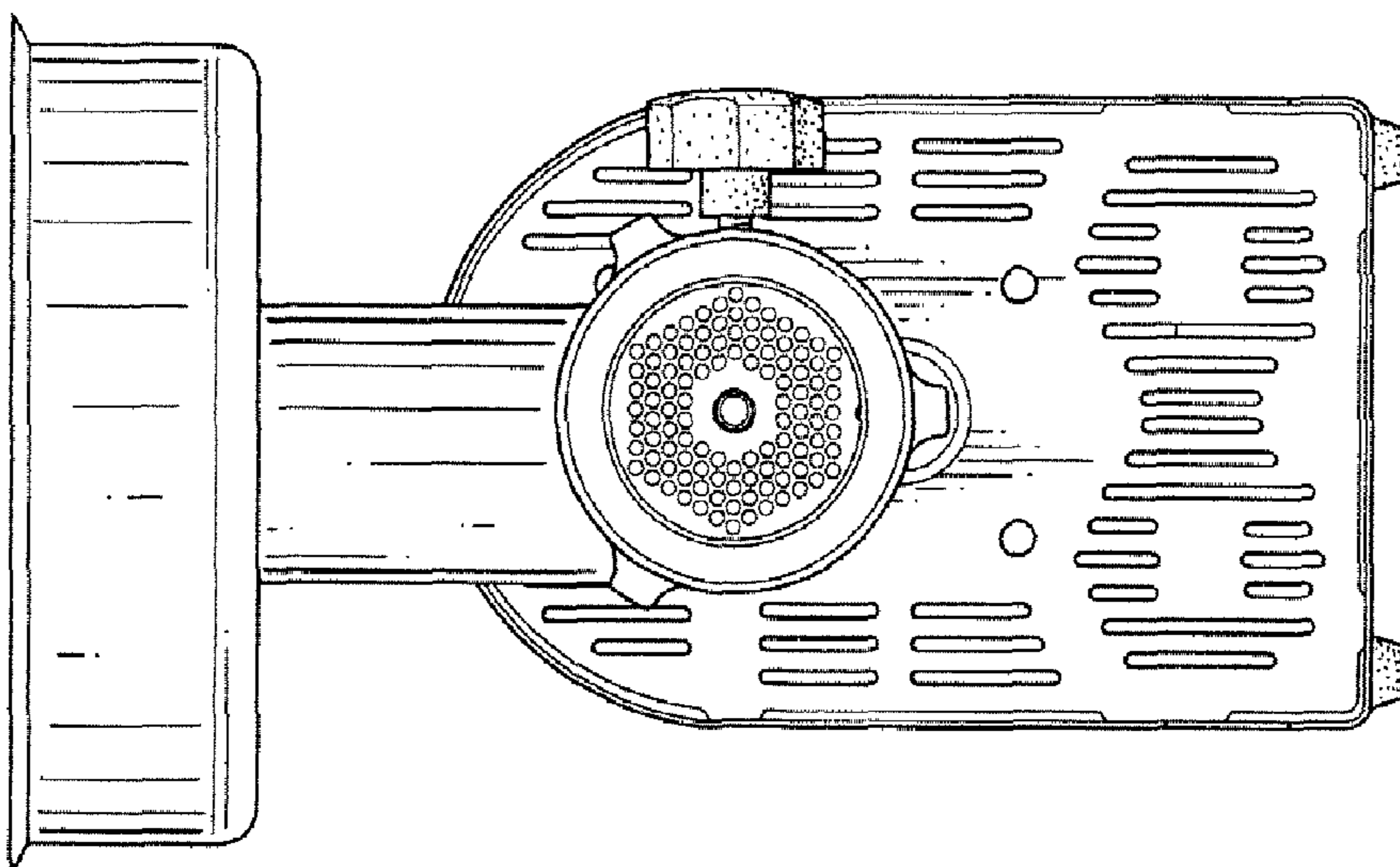


FIG.4

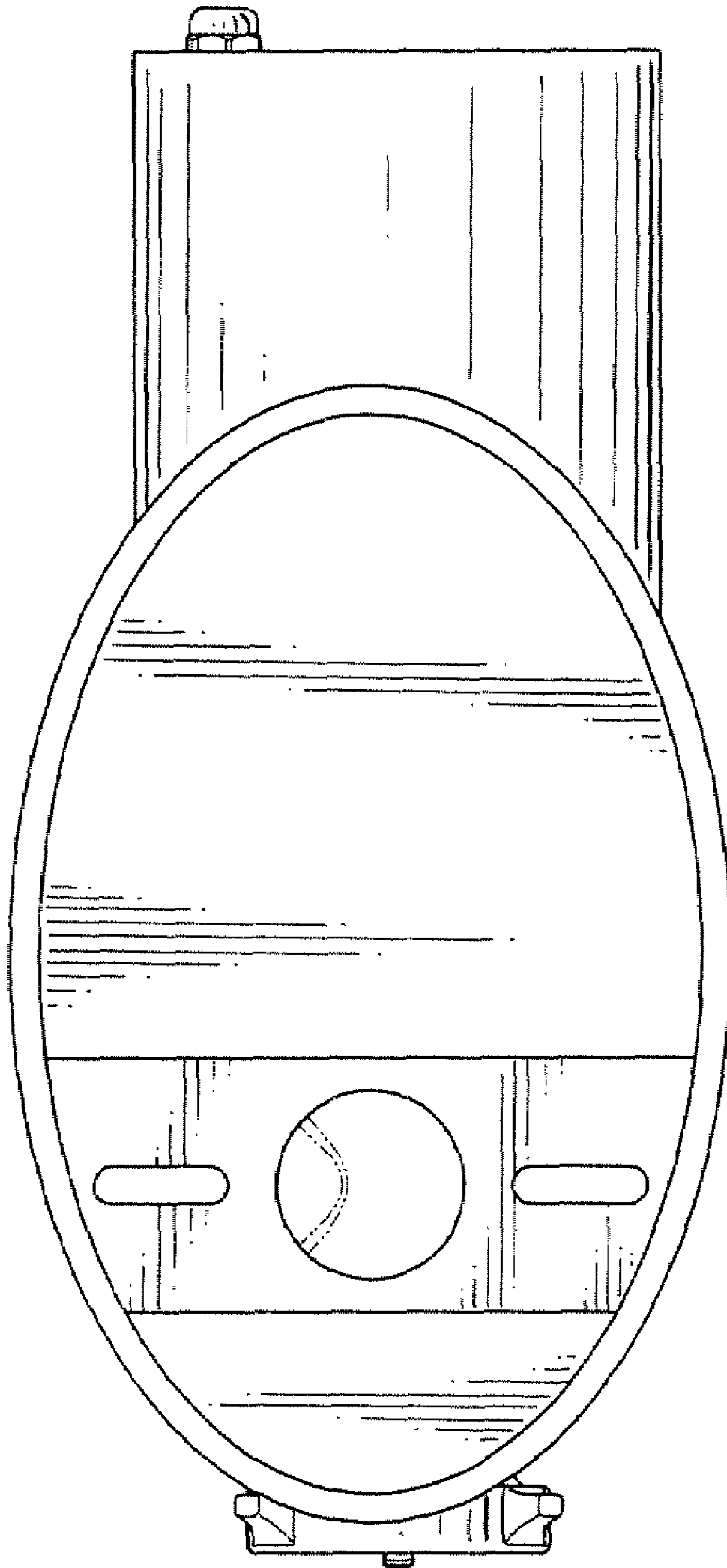


FIG.6

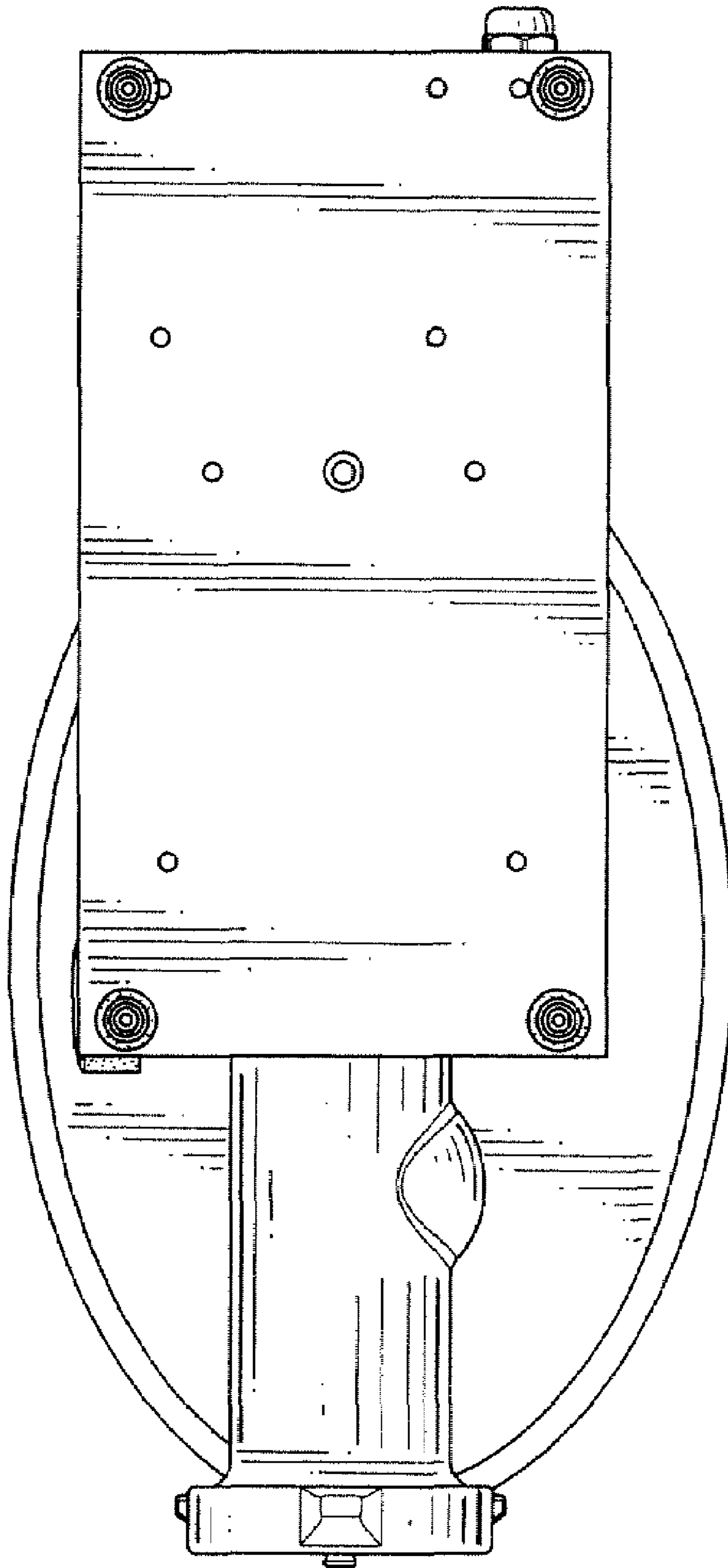


FIG.7