



US00D610393S

(12) **United States Design Patent**
Josancy

(10) **Patent No.:** **US D610,393 S**

(45) **Date of Patent:** **** Feb. 23, 2010**

(54) **PRESSURE COOKER**

(75) Inventor: **Luc Josancy**, Sainte-Colombe (FR)

(73) Assignee: **SEB**, Selongey (FR)

(**) Term: **14 Years**

(21) Appl. No.: **29/340,245**

(22) Filed: **Jul. 15, 2009**

(30) **Foreign Application Priority Data**

Jan. 16, 2009 (FR) 09 0188

(51) **LOC (9) Cl.** **07-02**

(52) **U.S. Cl.** **D7/358; D7/354**

(58) **Field of Classification Search** D7/323,
D7/330-331, 339, 347, 350-367, 378-379,
D7/383-384, 391, 542-545; 99/324-325,
99/329 R, 330-339; 219/432-433, 438-441,
219/620-622, 725-730; 220/203.1, 203.7,
220/303, 316, 356.1, 573.1-574, 769; 426/438,
426/441

See application file for complete search history.

(56) **References Cited**

U.S. PATENT DOCUMENTS

- D341,058 S * 11/1993 Slany et al. D7/360
- 5,370,259 A * 12/1994 Cartigny 220/316
- D370,381 S * 6/1996 Roussard D7/358
- D413,483 S * 9/1999 Roussard D7/358
- 6,105,810 A * 8/2000 Daenen et al. 220/366.1

- D476,191 S * 6/2003 Josancy D7/358
- D486,352 S * 2/2004 Park D7/358
- D491,011 S * 6/2004 Park D7/358
- D532,250 S * 11/2006 Roussard D7/358
- D534,031 S * 12/2006 Roussard D7/358
- D581,206 S * 11/2008 Rousard D7/358
- D599,164 S * 9/2009 Hoekstra D7/360

* cited by examiner

Primary Examiner—Caron Veynar

Assistant Examiner—Ricky Pham

(74) *Attorney, Agent, or Firm*—Browdy & Neimark, PLLC

(57) **CLAIM**

The ornamental design for a pressure cooker, as shown and described.

DESCRIPTION

FIG. 1 is a front elevational view of a pressure cooker in accordance with the present design;

FIG. 2 is a back elevational view thereof;

FIG. 3 is a left elevational view thereof;

FIG. 4 is a right elevational view thereof;

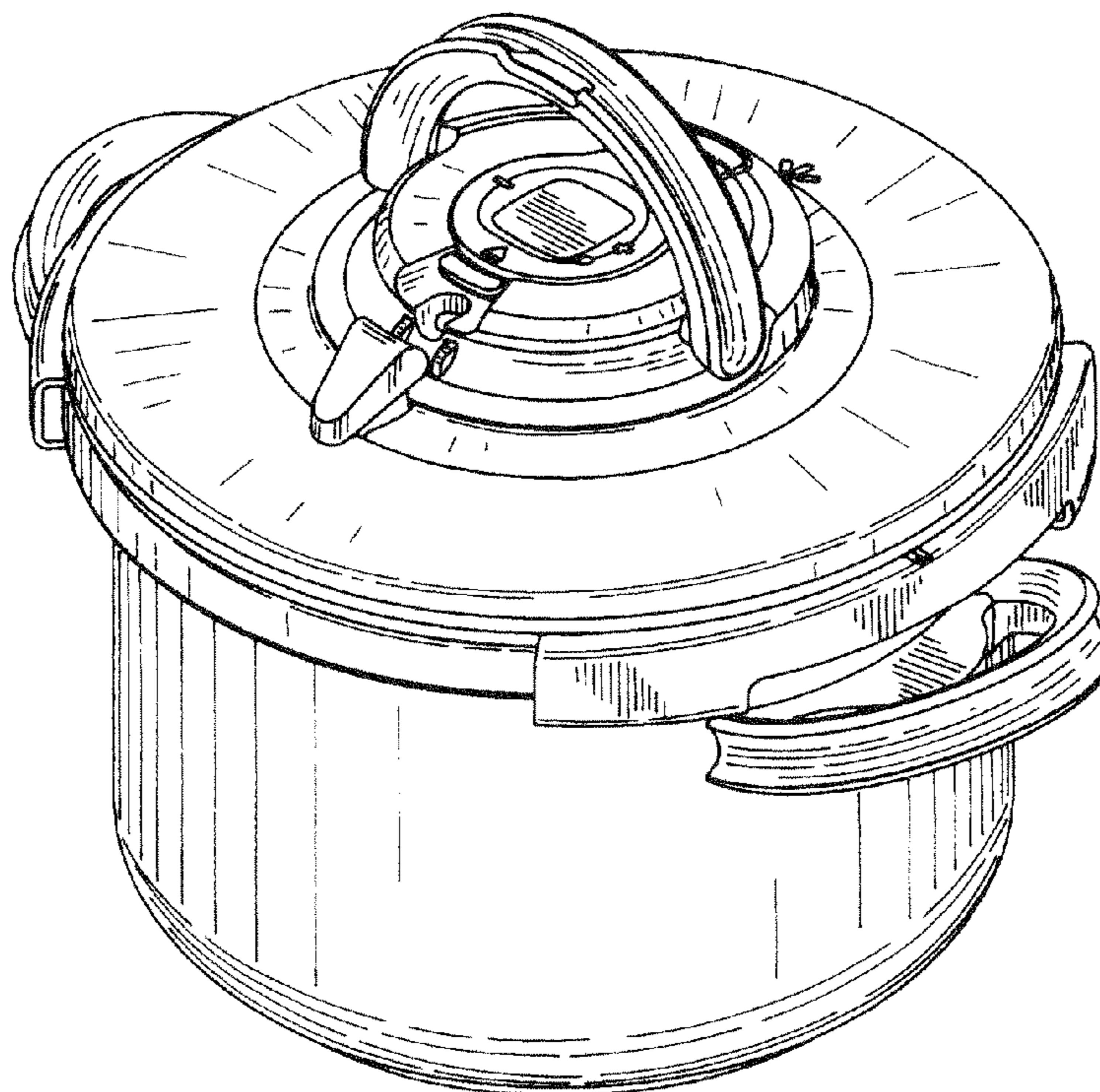
FIG. 5 is a top plan view thereof;

FIG. 6 is a bottom plan view thereof; and

FIG. 7 is a perspective view thereof with the lid in the locked position; and,

FIG. 8 is a perspective view thereof with the lid in the unlocked position.

1 Claim, 8 Drawing Sheets



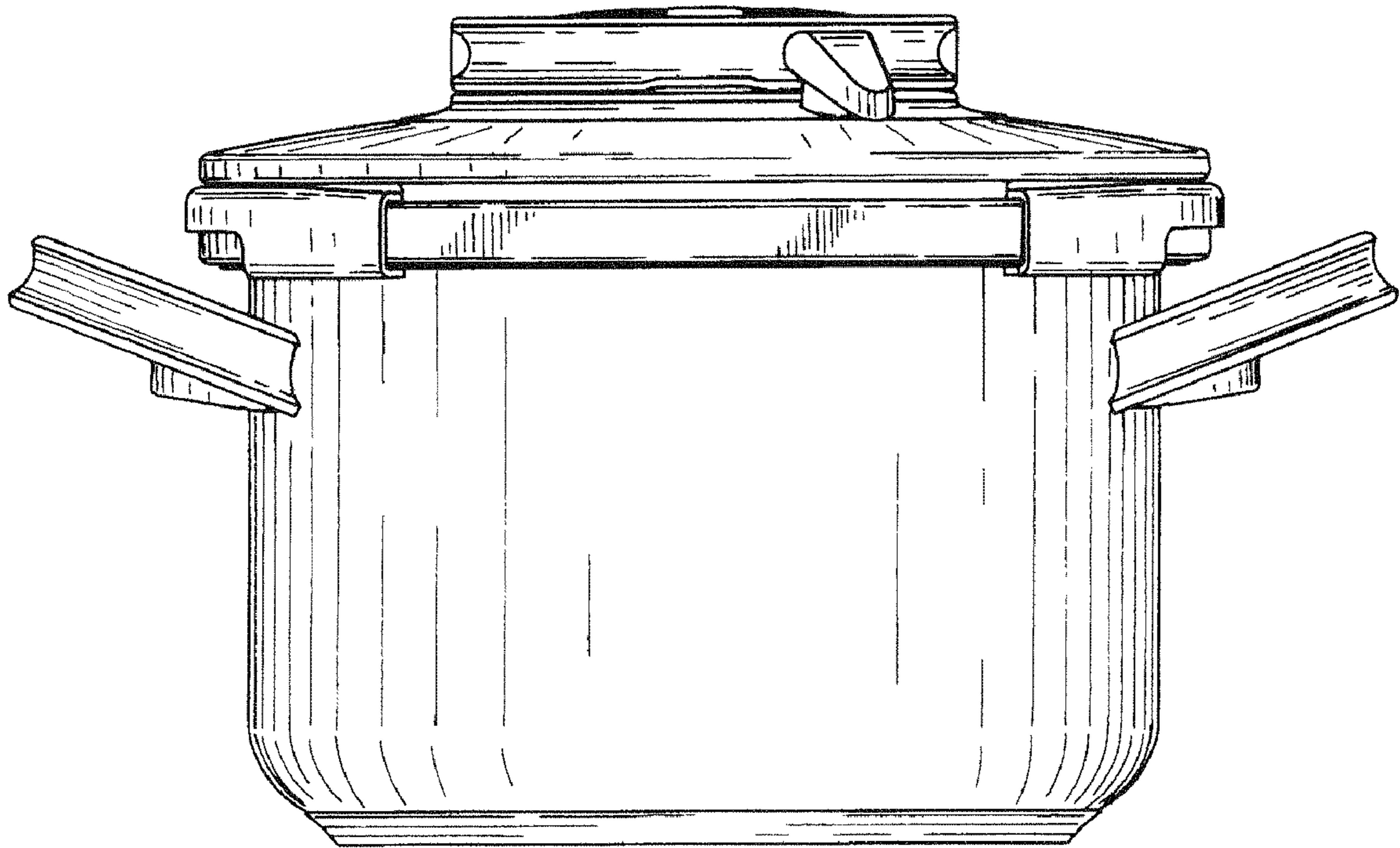


Fig.1

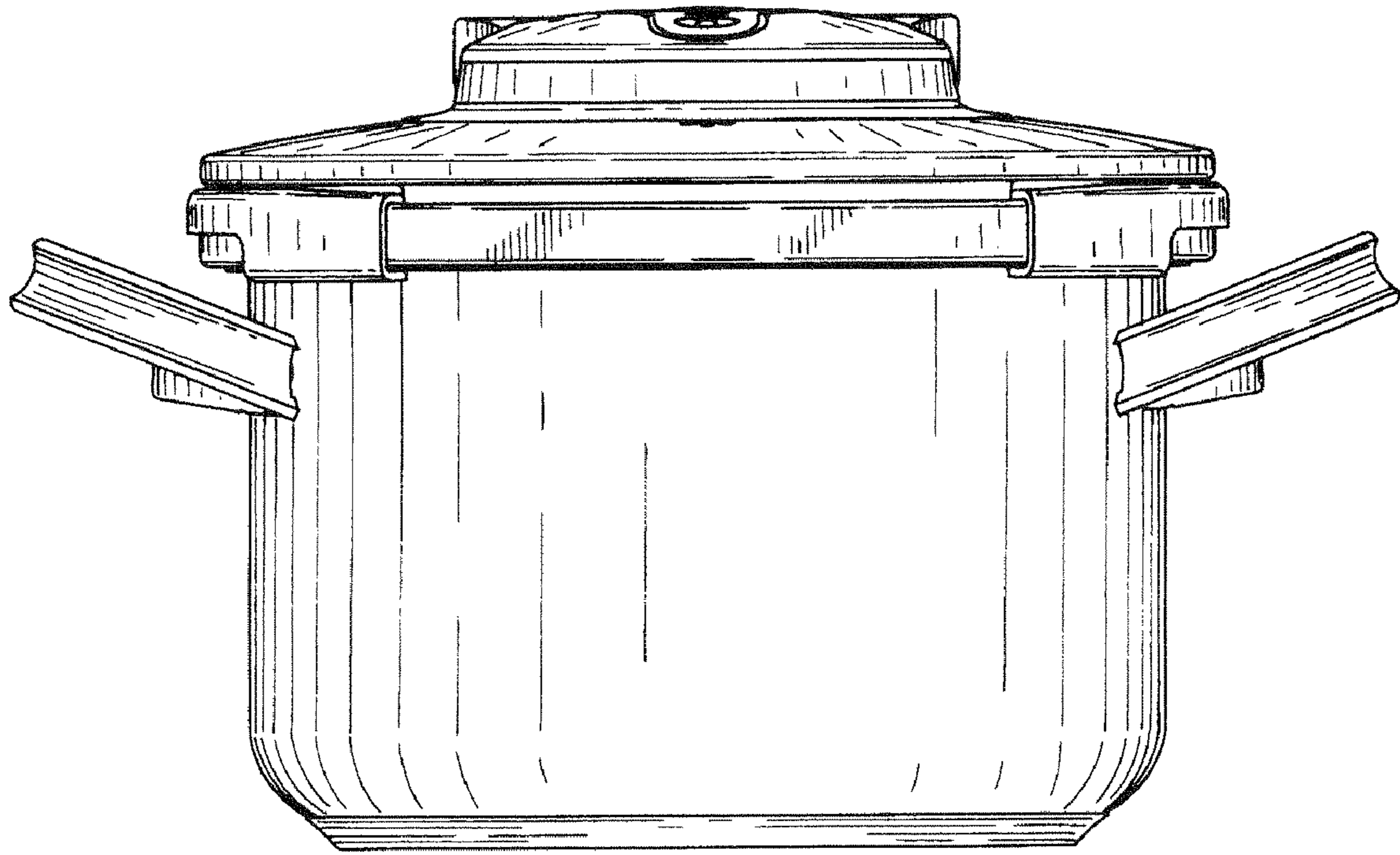


Fig.2

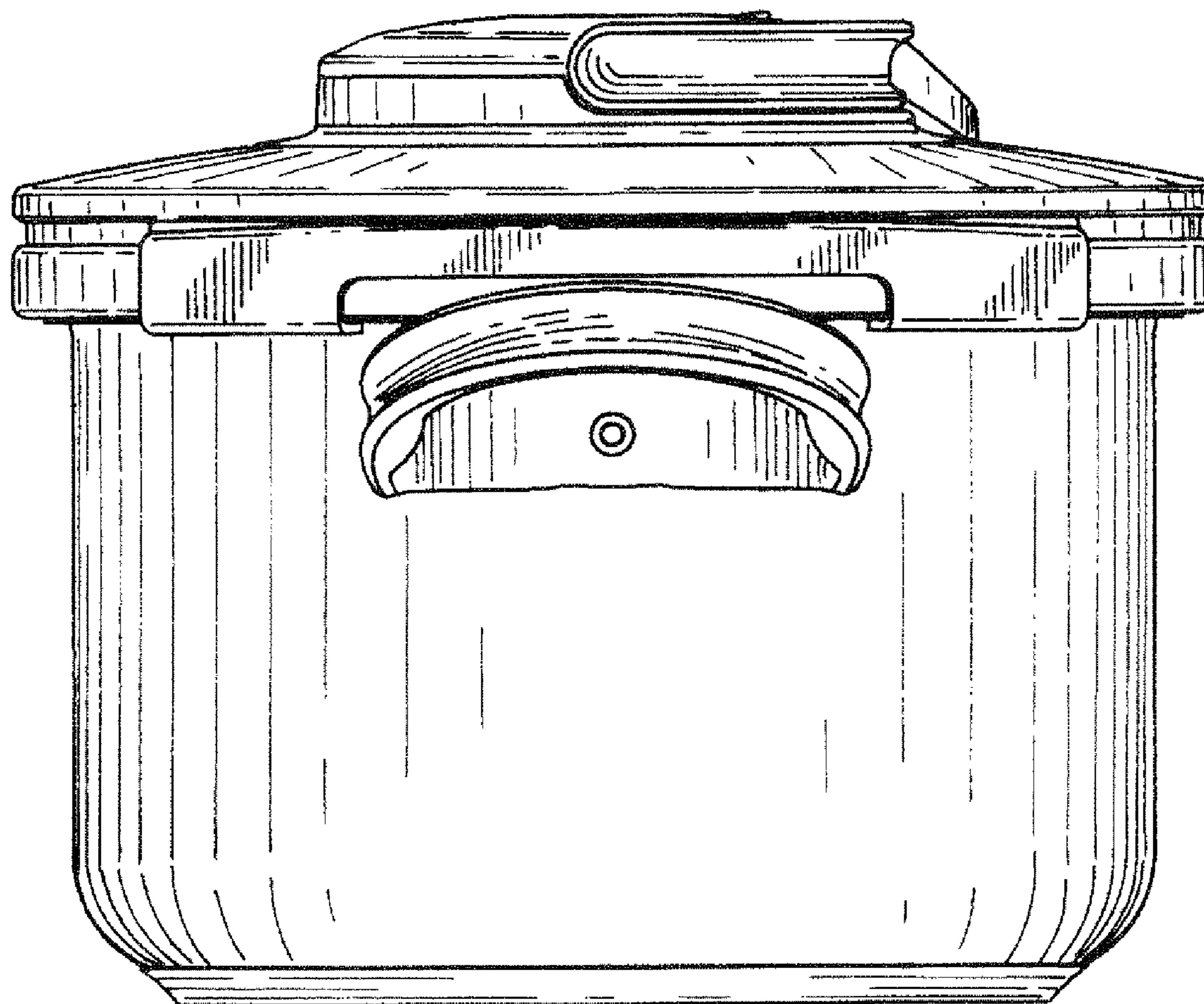


Fig.3

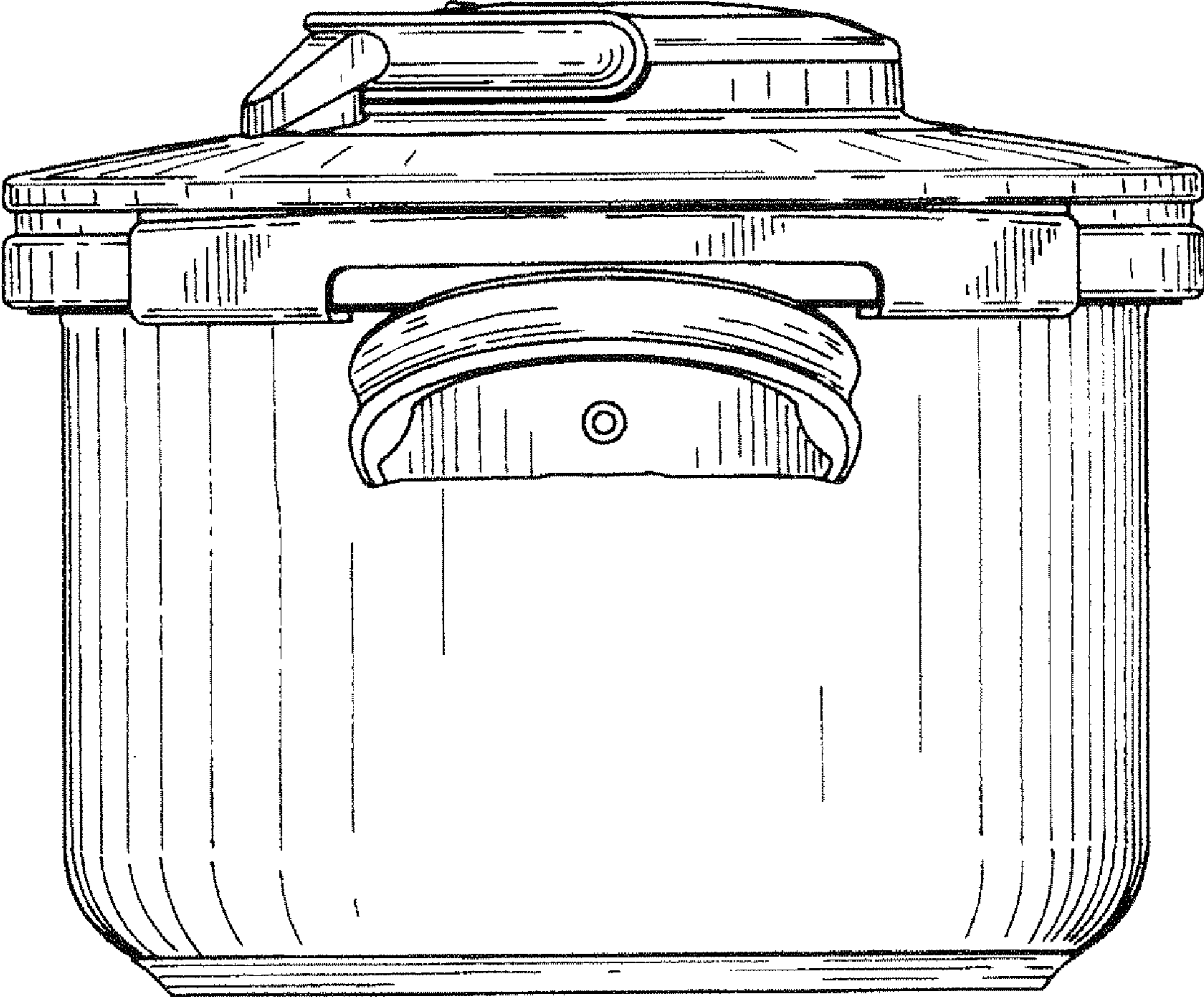


Fig.4

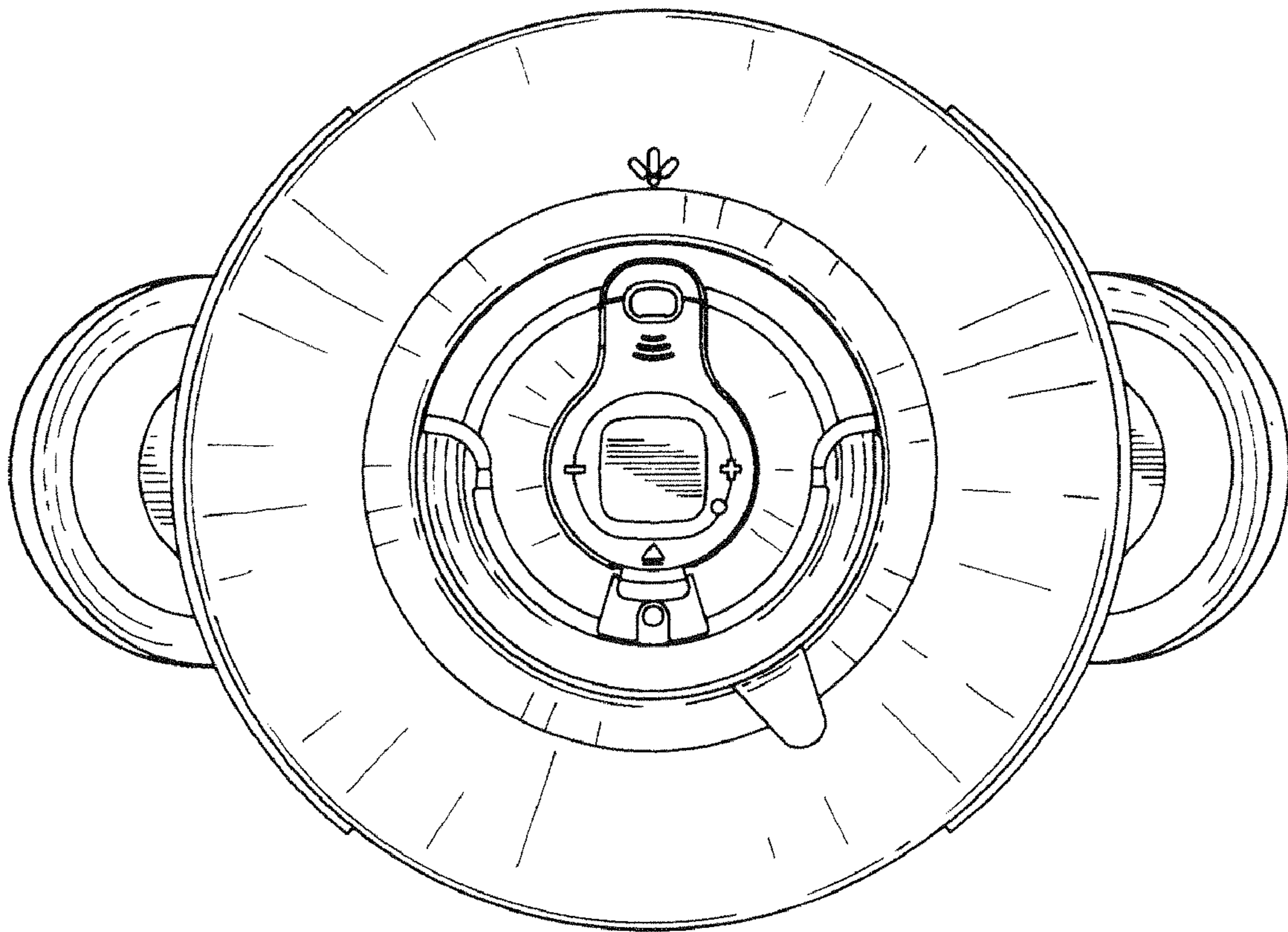


Fig.5

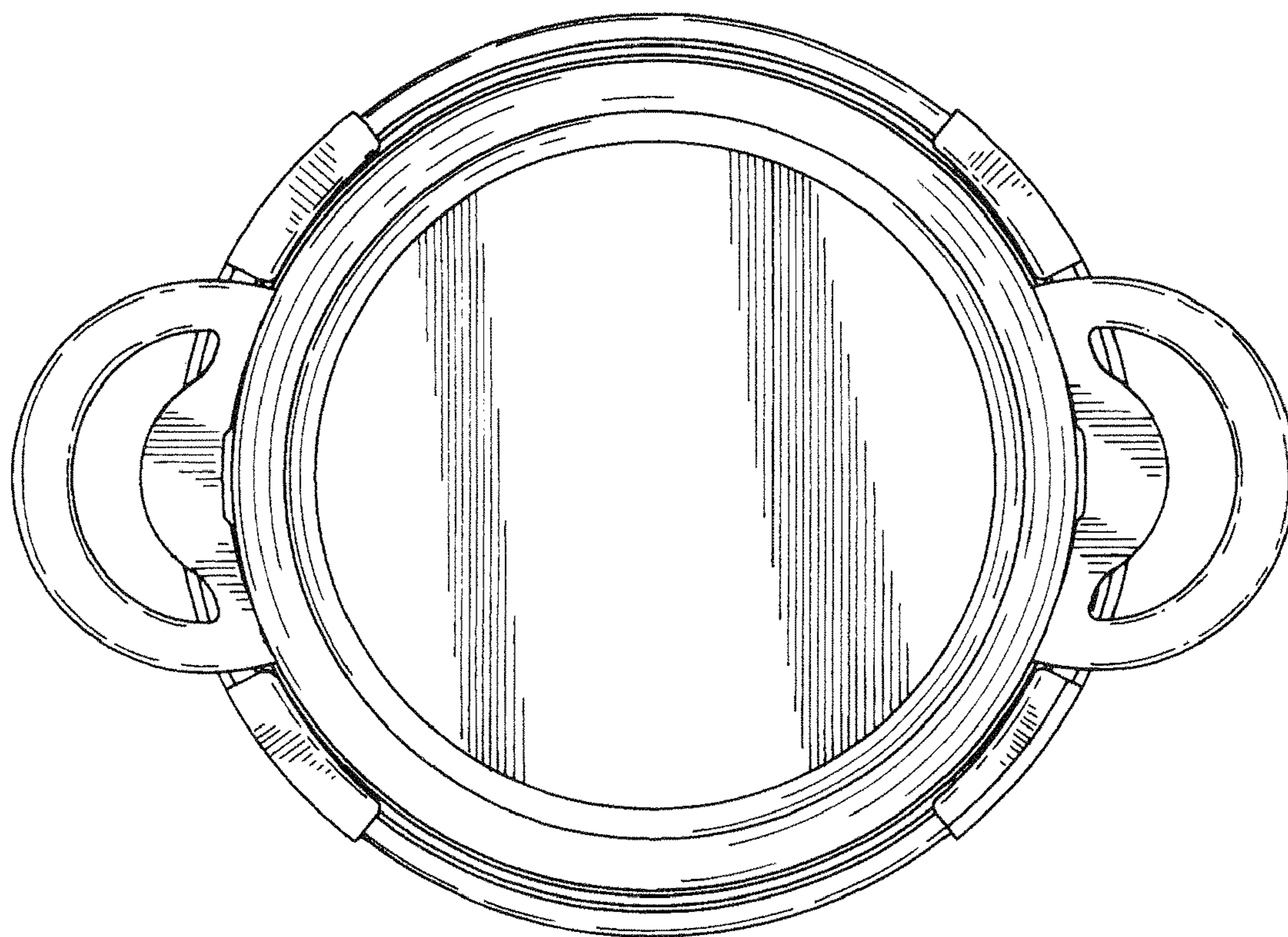


Fig.6

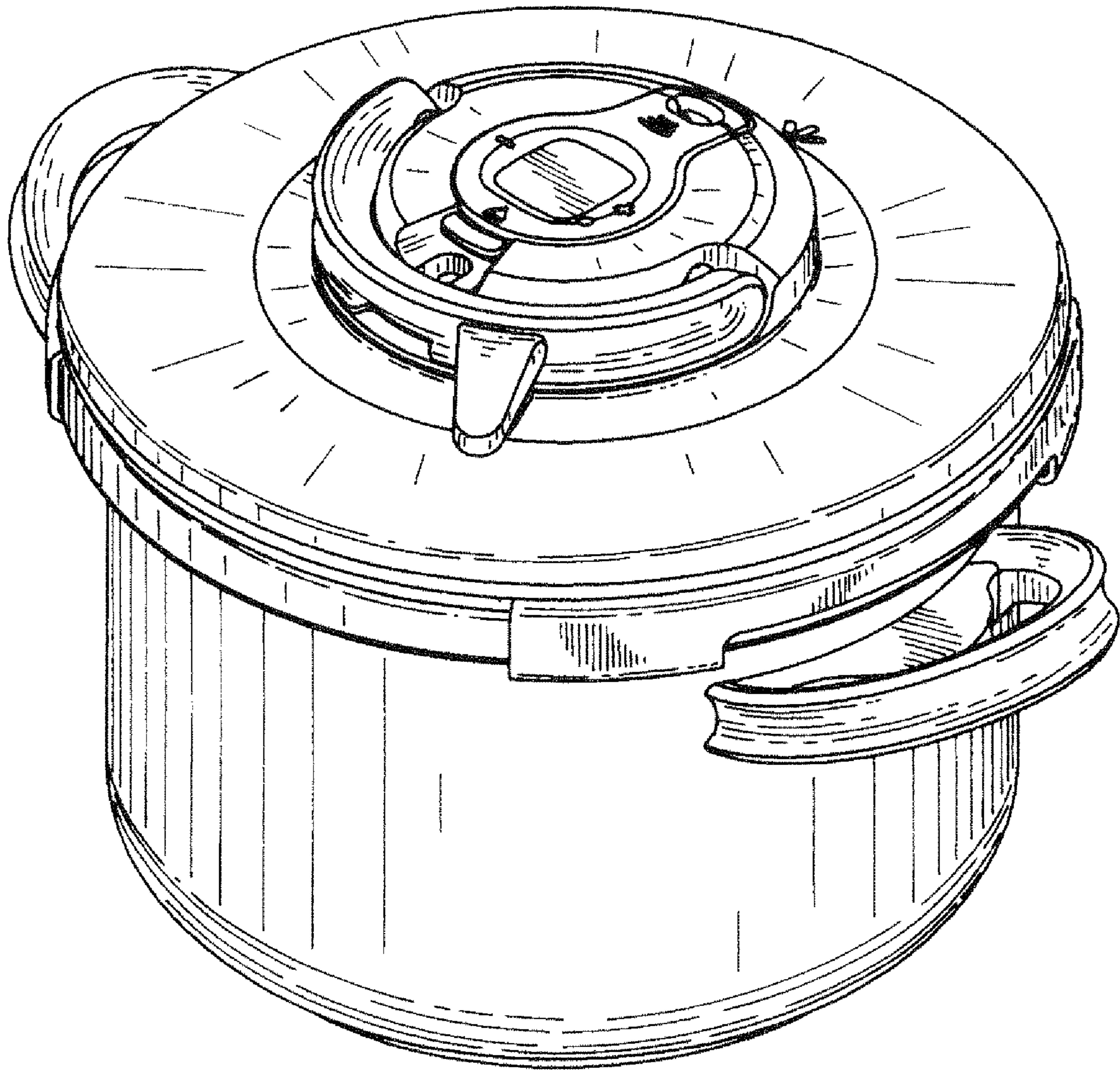


Fig. 7

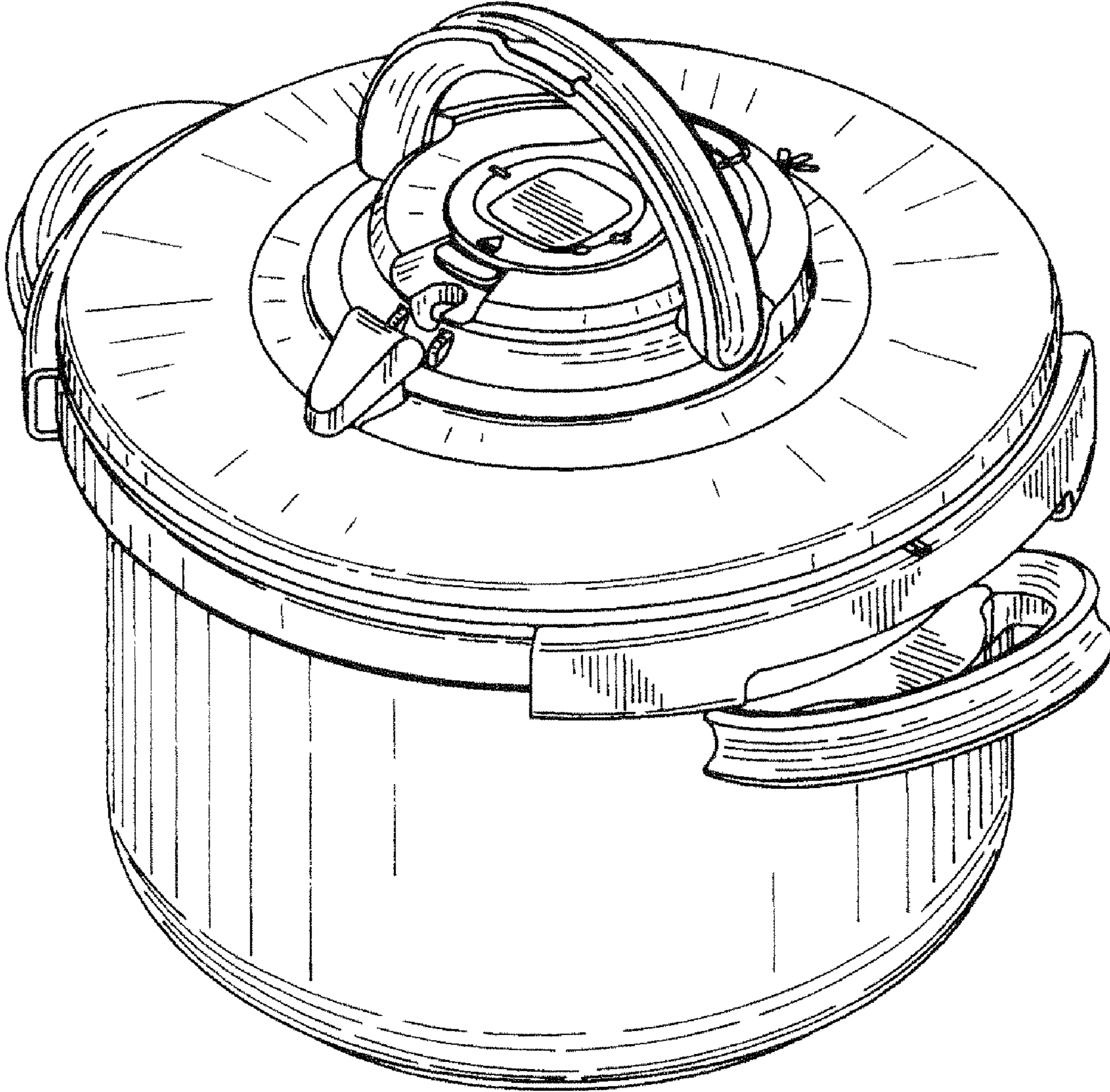


Fig.8