



US00D610392S

(12) **United States Design Patent**
Fiorotto

(10) **Patent No.:** **US D610,392 S**

(45) **Date of Patent:** **** Feb. 23, 2010**

(54) **FRYER**

(75) Inventor: **Francesco Fiorotto**, Roncade (IT)

(73) Assignee: **De'Longhi Appliances S.R.L. Con Unico Socio**, Treviso (IT)

(**) Term: **14 Years**

(21) Appl. No.: **29/341,022**

(22) Filed: **Jul. 29, 2009**

(30) **Foreign Application Priority Data**

Jan. 30, 2009 (EM) 001079073-0007

(51) **LOC (9) Cl.** **07-02**

(52) **U.S. Cl.** **D7/354**

(58) **Field of Classification Search** D7/323,
D7/330-331, 339, 350.2, 350-367, 378-379,
D7/383-384, 391, 406, 542-545; 99/324-325,
99/329 R, 330-339, 403; 219/432-433,
219/438-441, 620-622, 725-730; 220/203.1,
220/203.7, 303, 573.1-574, 769, 912; 426/438,
426/441

See application file for complete search history.

(56) **References Cited**

U.S. PATENT DOCUMENTS

D272,034 S * 1/1984 Beugnot D7/360
D313,530 S * 1/1991 Leiros D7/354
D313,531 S * 1/1991 Barrault D7/360
D322,910 S * 1/1992 Stutzer et al. D7/354
D341,056 S * 11/1993 Powell D7/354
D345,281 S * 3/1994 Mauffrey D7/354

D369,505 S * 5/1996 Philippe D7/354
D378,647 S * 4/1997 Piret D7/354
D386,646 S * 11/1997 Wurth D7/354
D427,481 S * 7/2000 De' Longhi D7/354
D427,841 S * 7/2000 De' Longhi D7/354
D432,348 S * 10/2000 Shaw D7/354
D486,351 S * 2/2004 Lu et al. D7/354
6,807,899 B2 * 10/2004 Dirand 99/403
D532,248 S * 11/2006 Allende Fritsch D7/354
D533,014 S * 12/2006 Choi D7/354
D552,921 S * 10/2007 Garman et al. D7/354
D557,552 S * 12/2007 Matras D7/354
D588,398 S * 3/2009 Pan D7/354
D598,700 S * 8/2009 Seymour D7/354
D600,066 S * 9/2009 Seymour D7/354

* cited by examiner

Primary Examiner—Caron Veynar

Assistant Examiner—Ricky Pham

(74) *Attorney, Agent, or Firm*—Flaster/Greenberg, P.C.

(57) **CLAIM**

The ornamental design for a fryer, as shown and described.

DESCRIPTION

FIG. 1 is a perspective view of the fryer;

FIG. 2 is a front view of the fryer;

FIG. 3 is a rear view of the fryer;

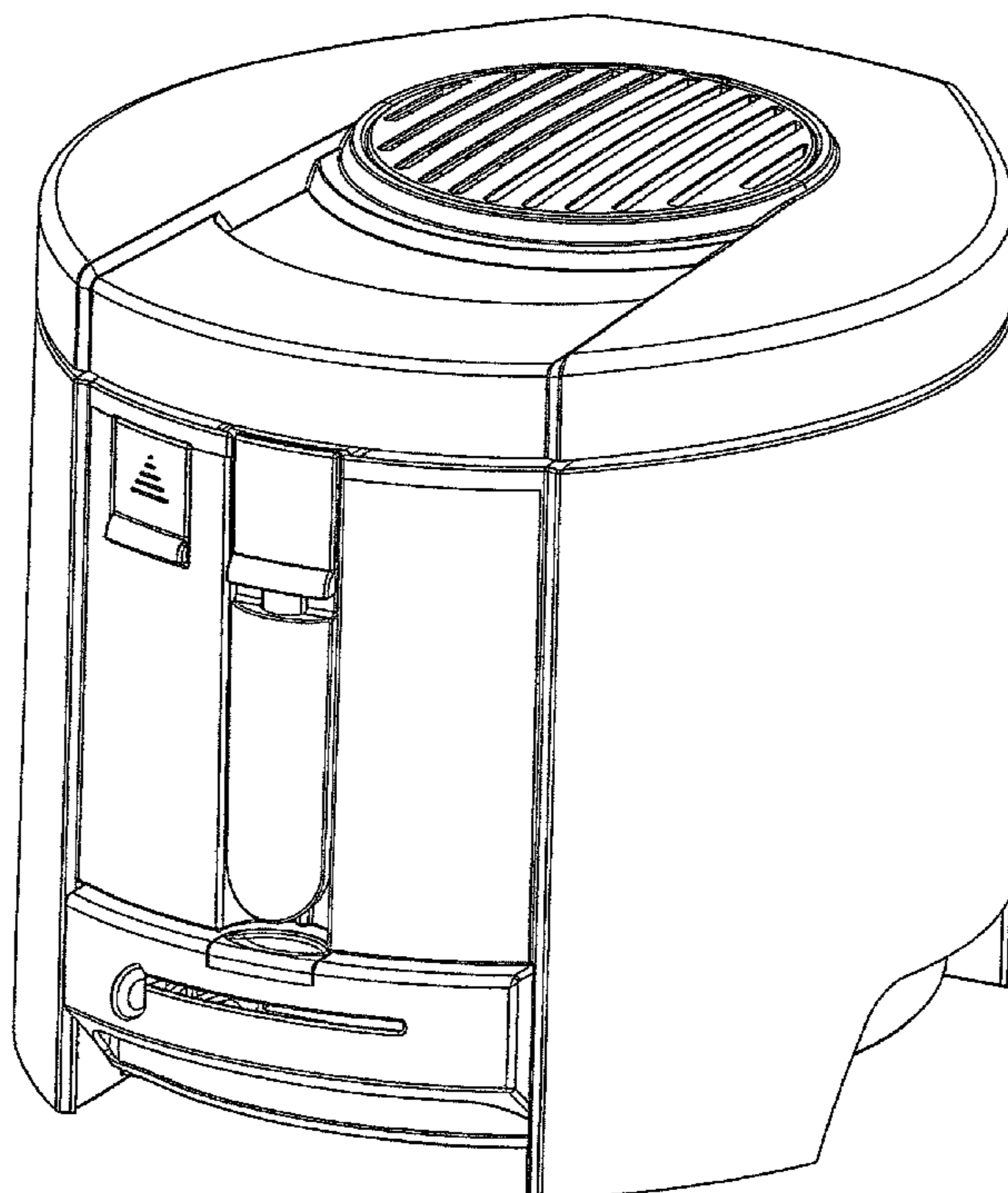
FIG. 4 is a right side view of the fryer;

FIG. 5 is a left side view of the fryer;

FIG. 6 is a top view of the fryer; and,

FIG. 7 is a bottom view of the fryer.

1 Claim, 7 Drawing Sheets



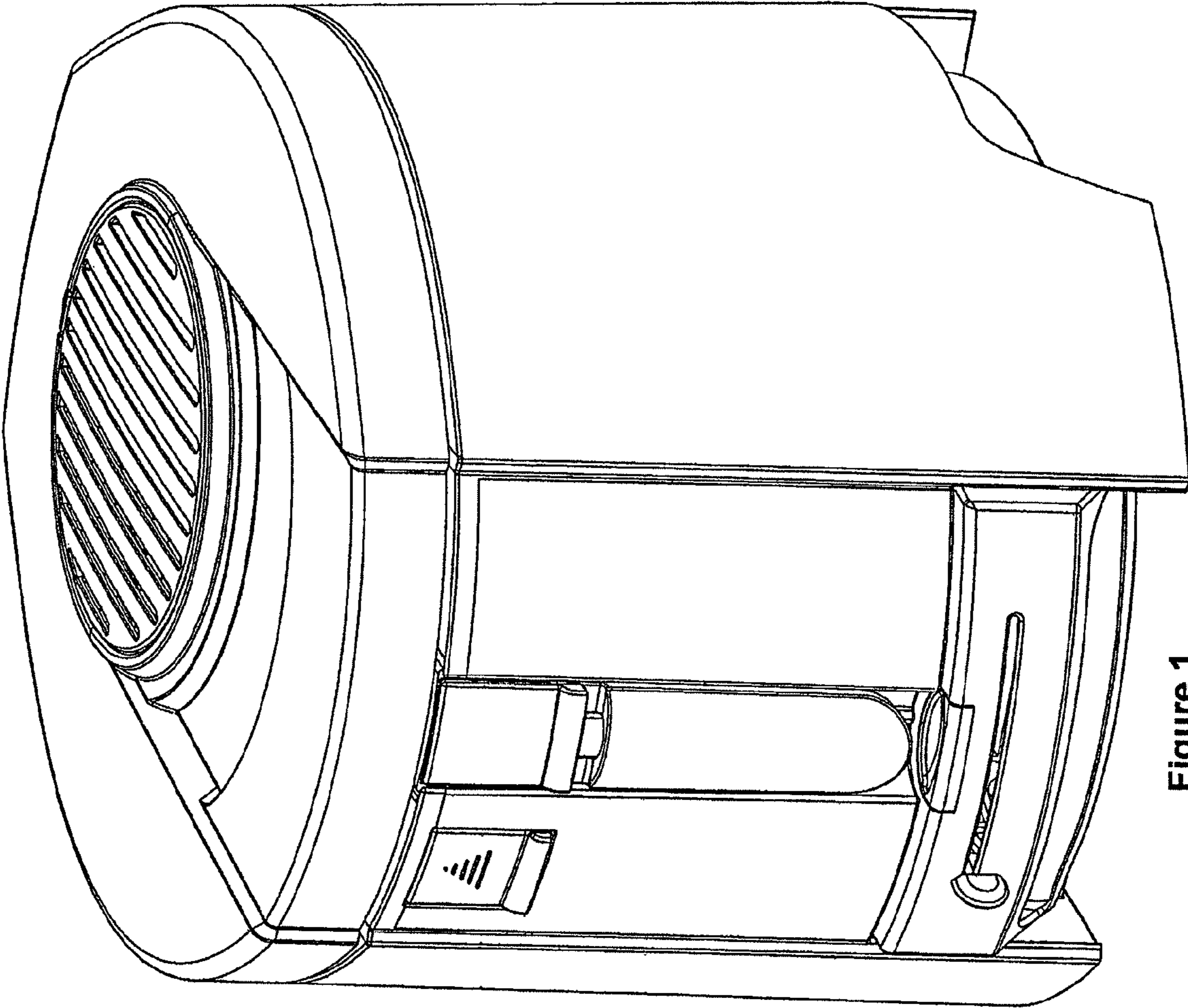


Figure 1

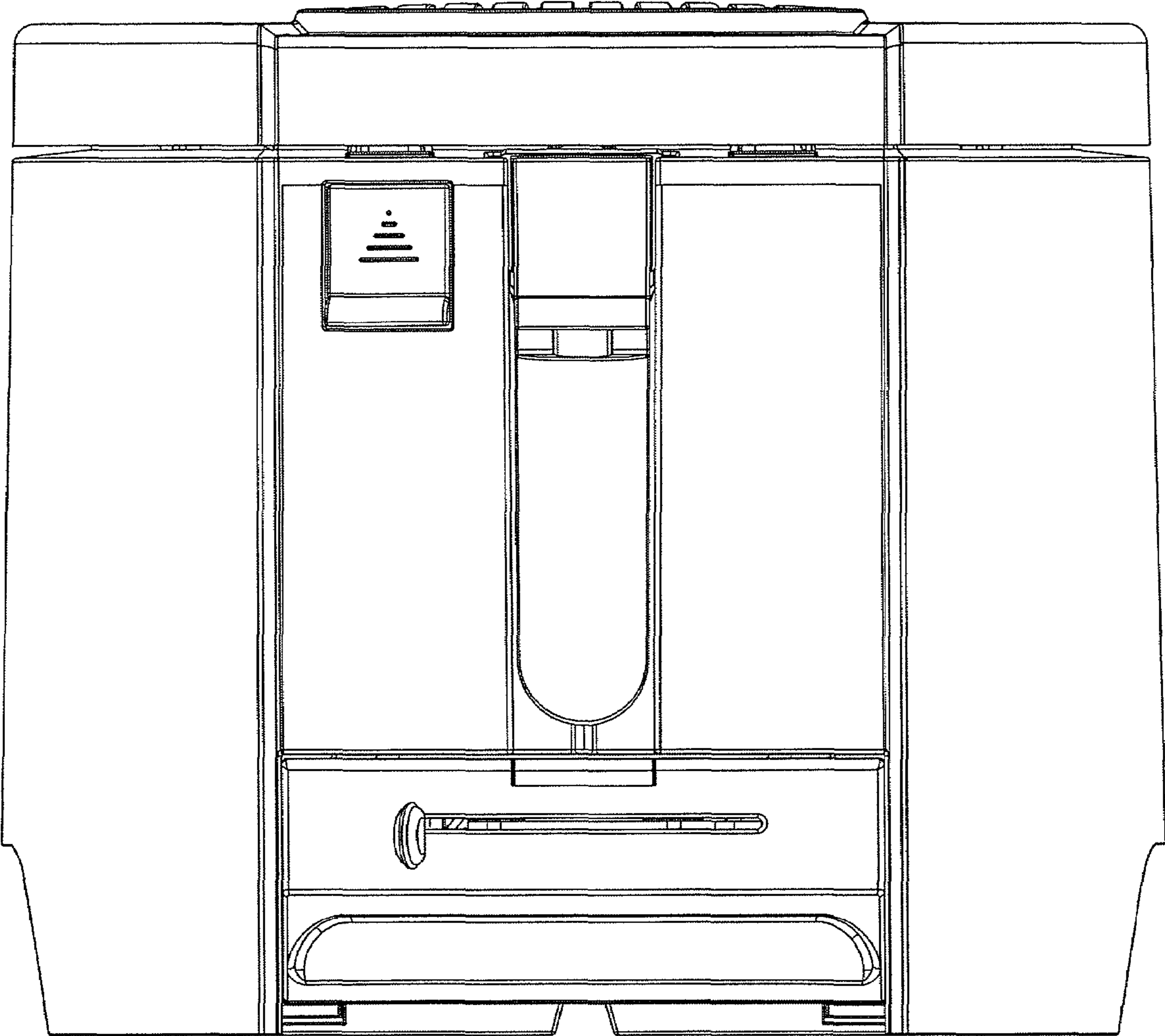


Figure 2

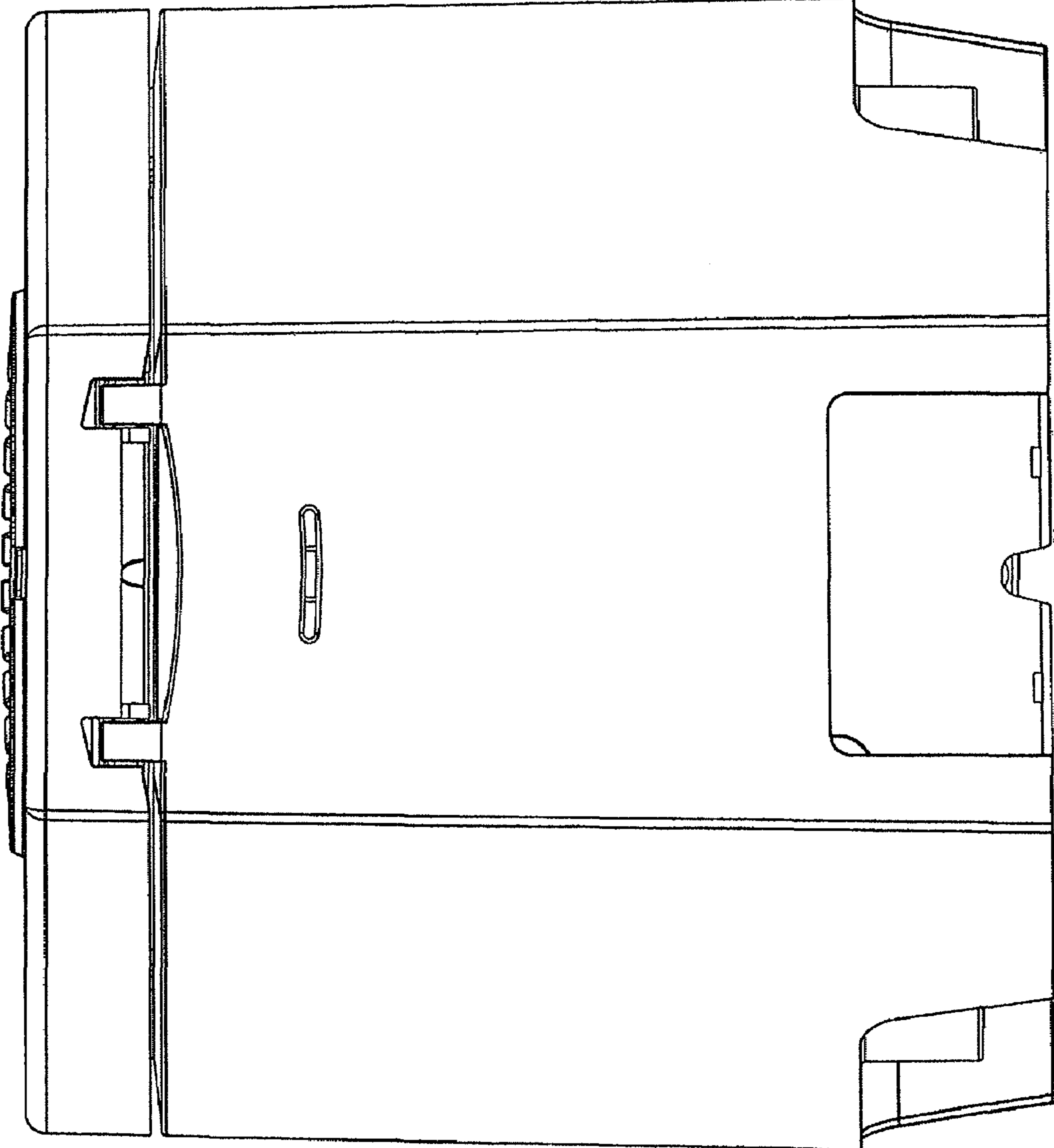


Figure 3

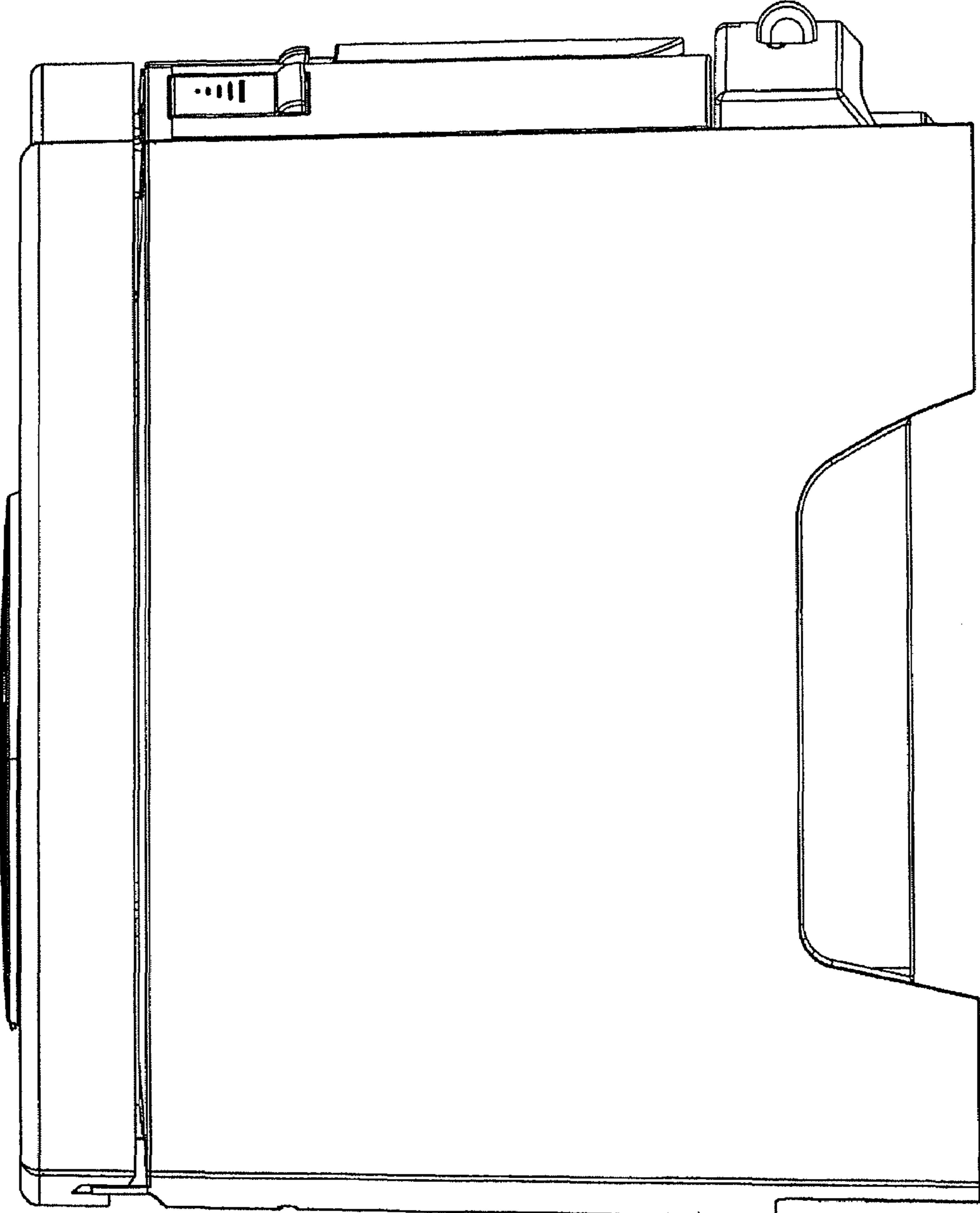


Figure 4

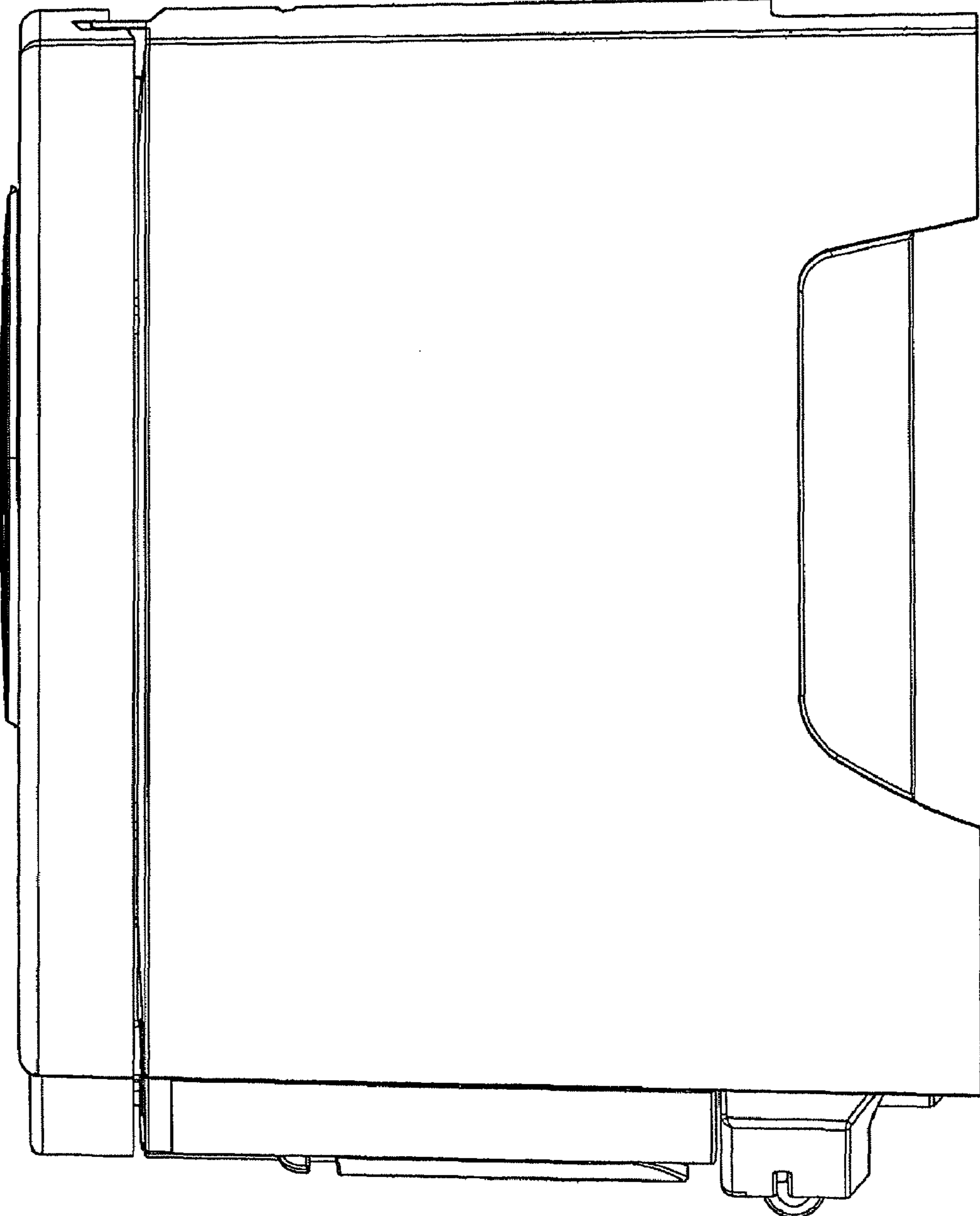


Figure 5

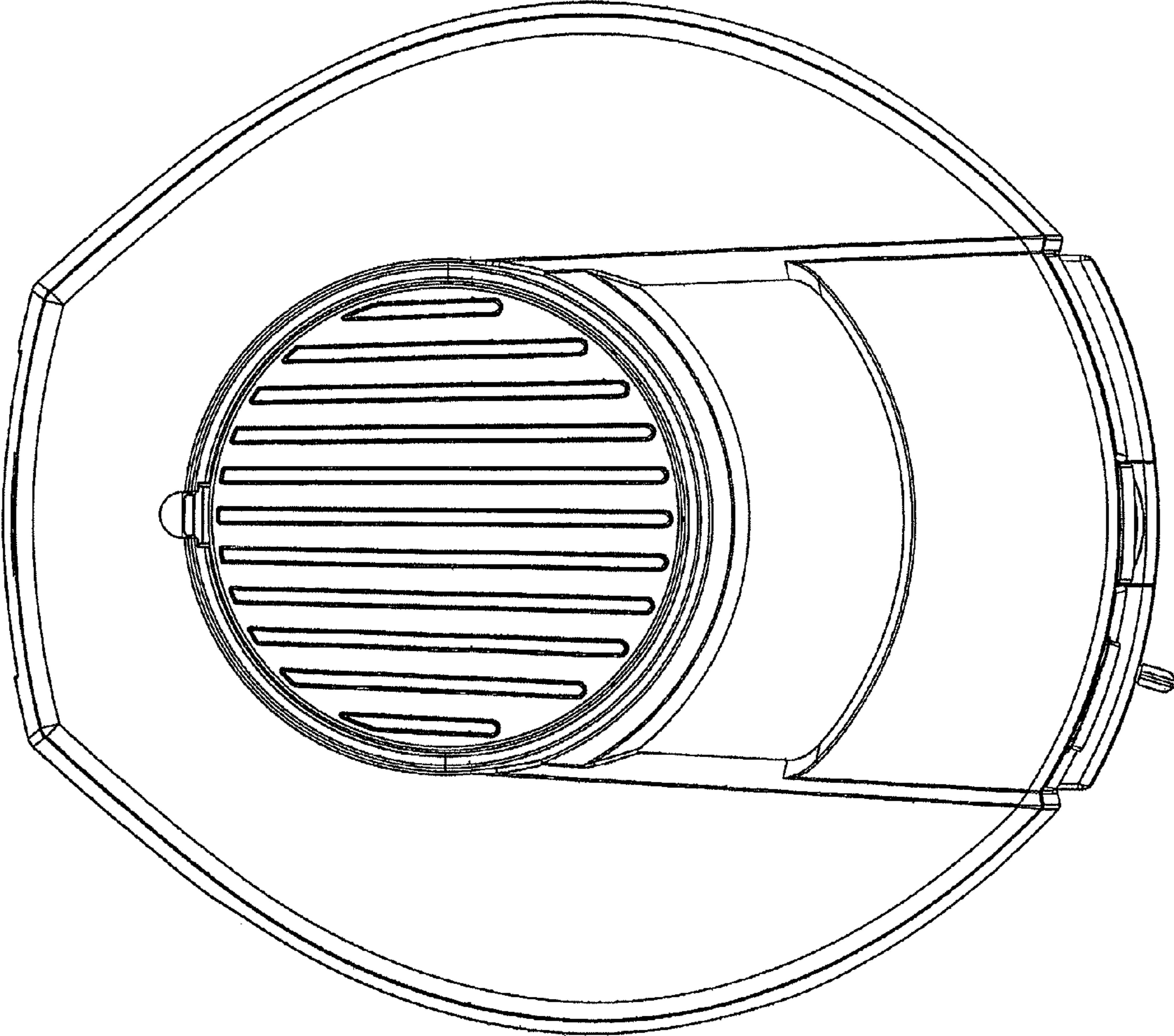


Figure 6

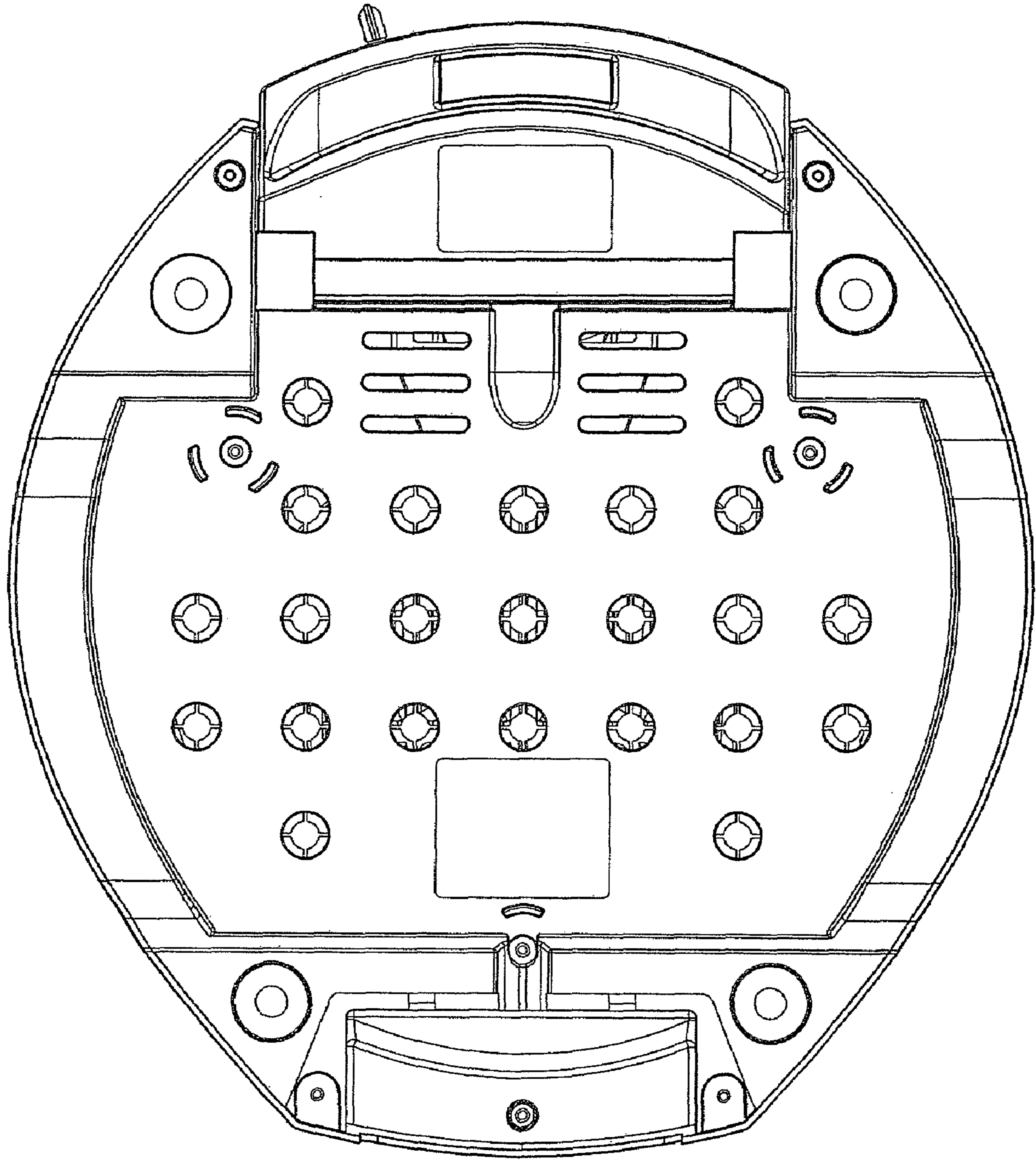


Figure 7