



US00D610391S

(12) **United States Design Patent**  
**Junkins**

(10) **Patent No.:** **US D610,391 S**

(45) **Date of Patent:** **\*\* Feb. 23, 2010**

(54) **PIZZA PAN**

(75) Inventor: **Mitch Junkins**, 1409 High Bluff Dr.,  
Newport Beach, CA (US) 92660

(73) Assignee: **Mitch Junkins**, Newport Beach, CA  
(US)

(\*\*) Term: **14 Years**

(21) Appl. No.: **29/338,419**

(22) Filed: **Jun. 11, 2009**

(51) **LOC (9) Cl.** ..... **07-02**

(52) **U.S. Cl.** ..... **D7/354**

(58) **Field of Classification Search** ..... D7/323,  
D7/354-361, 392.1, 402, 409, 505, 513, 540-548,  
D7/550.1, 551.1, 552.1, 553.1, 553.4-553.8,  
D7/554.3, 555, 584, 586, 602, 605, 611, 672,  
D7/698; D9/414, 420-434, 446-447, 456,  
D9/606, 643, 745, 756; 99/324, 339, 340,  
99/400-401, 422-426, 428, 447-450, 645;  
220/573.1-573.4, 608, 645, 672-675, 769,  
220/780, 784, 912; 249/117, 119, 122-127,  
249/155-156, 160; 426/87, 128  
See application file for complete search history.

(56) **References Cited**

**U.S. PATENT DOCUMENTS**

2,430,566 A \* 11/1947 Harriss ..... 426/87  
3,066,824 A \* 12/1962 Bostrom ..... 220/784  
4,184,421 A \* 1/1980 Ahlgren ..... 99/450  
4,197,940 A \* 4/1980 DeRossett ..... 220/780  
4,385,554 A \* 5/1983 Daenen et al. .... 99/645

4,705,163 A \* 11/1987 James ..... 426/128  
4,729,297 A \* 3/1988 Iranzadi ..... 99/401  
5,365,833 A \* 11/1994 Chen ..... 99/447  
D365,498 S \* 12/1995 Lillelund et al. .... D7/505  
5,592,871 A \* 1/1997 Bartlett ..... 99/400  
D568,093 S \* 5/2008 Hocutt ..... D7/356  
D578,336 S \* 10/2008 Kim ..... D7/354

\* cited by examiner

*Primary Examiner*—Caron Veynar

*Assistant Examiner*—Ricky Pham

(74) *Attorney, Agent, or Firm*—Hani Z. Sayed; Rutan &  
Tucker, LLP

(57) **CLAIM**

The ornamental design for a pizza pan, as shown and  
described.

**DESCRIPTION**

FIG. 1 is a top perspective view of the pizza pan showing my  
new design; shown together as one unit for ease of illustration;

FIG. 2 is a top plan view thereof;

FIG. 3 is a left side view thereof;

FIG. 4 is a bottom plan view thereof;

FIG. 5 is a cross-sectional view taken through line 5—5 of  
FIG. 2; and,

FIG. 6 is an exploded perspective view thereof.

The broken lines shown in the drawings are for illustrative  
purposes only and form no part of the claimed design.

**1 Claim, 3 Drawing Sheets**

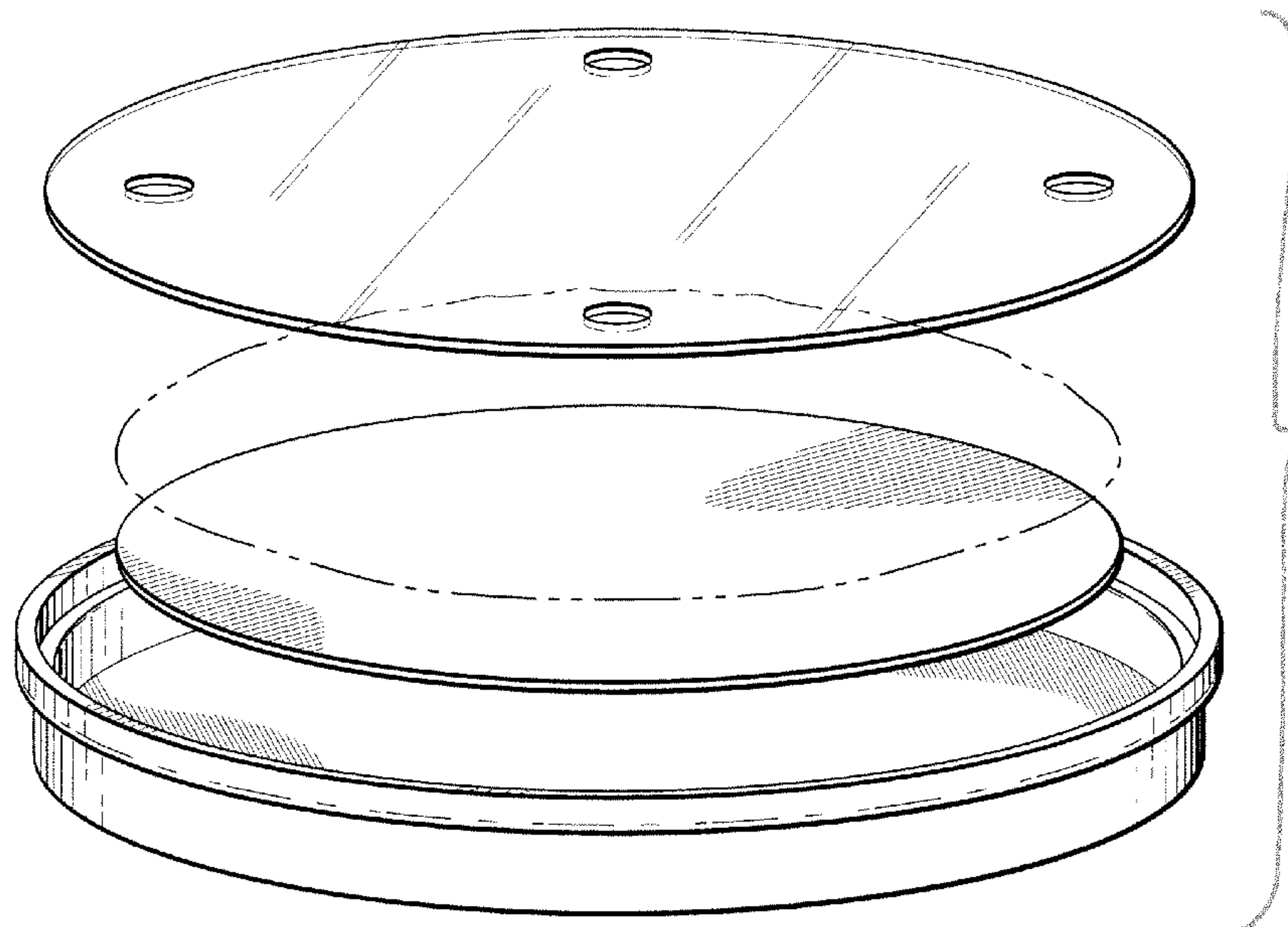


FIG. 1

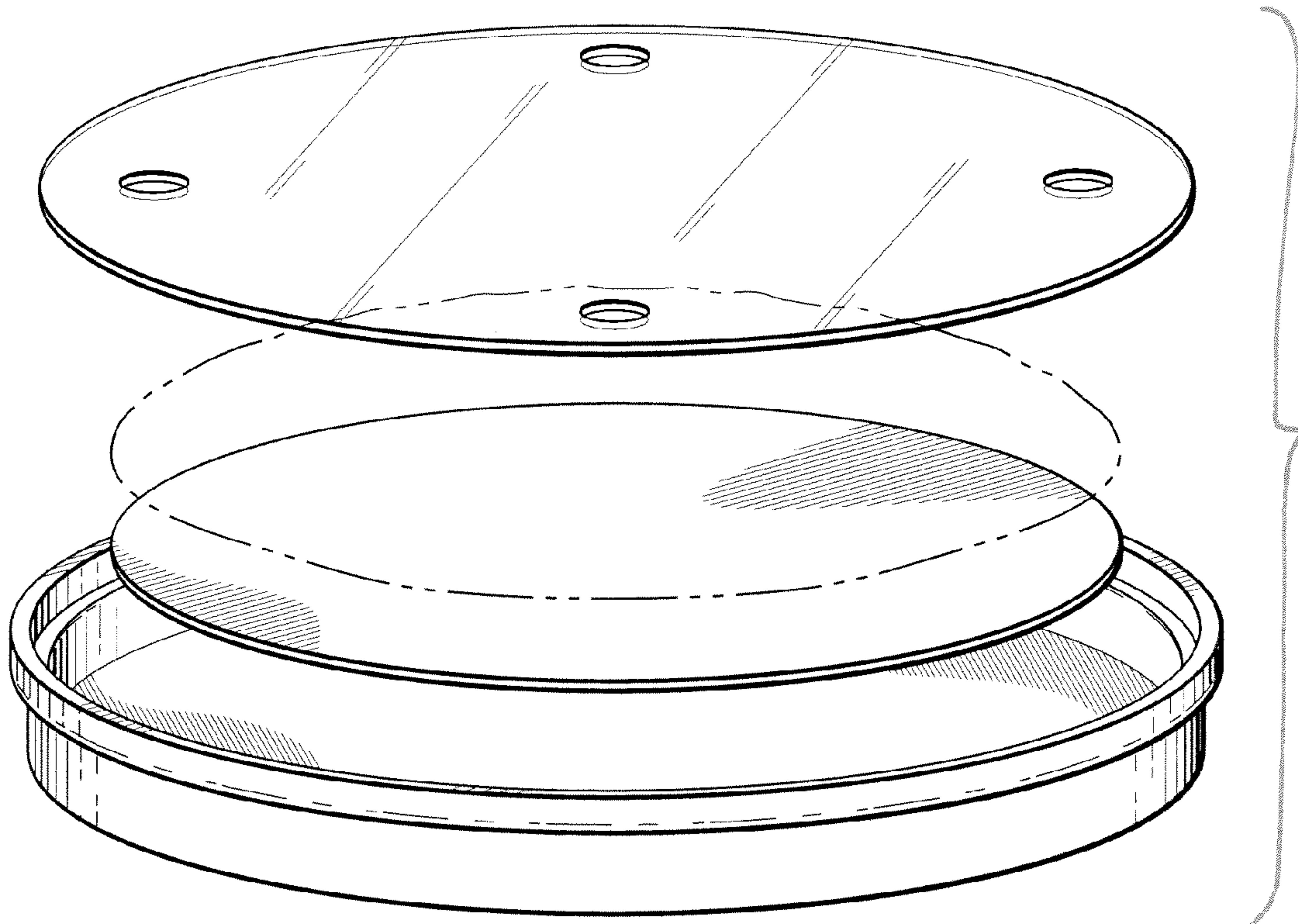
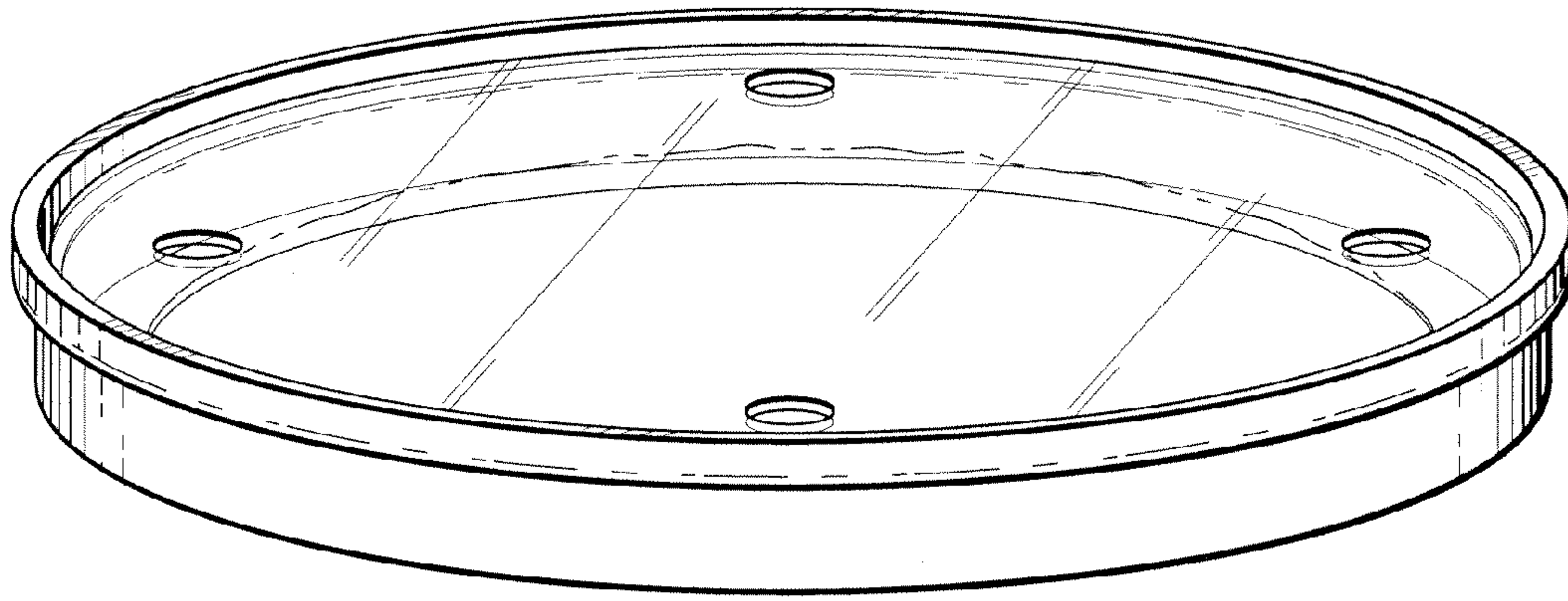


FIG. 6

FIG. 2

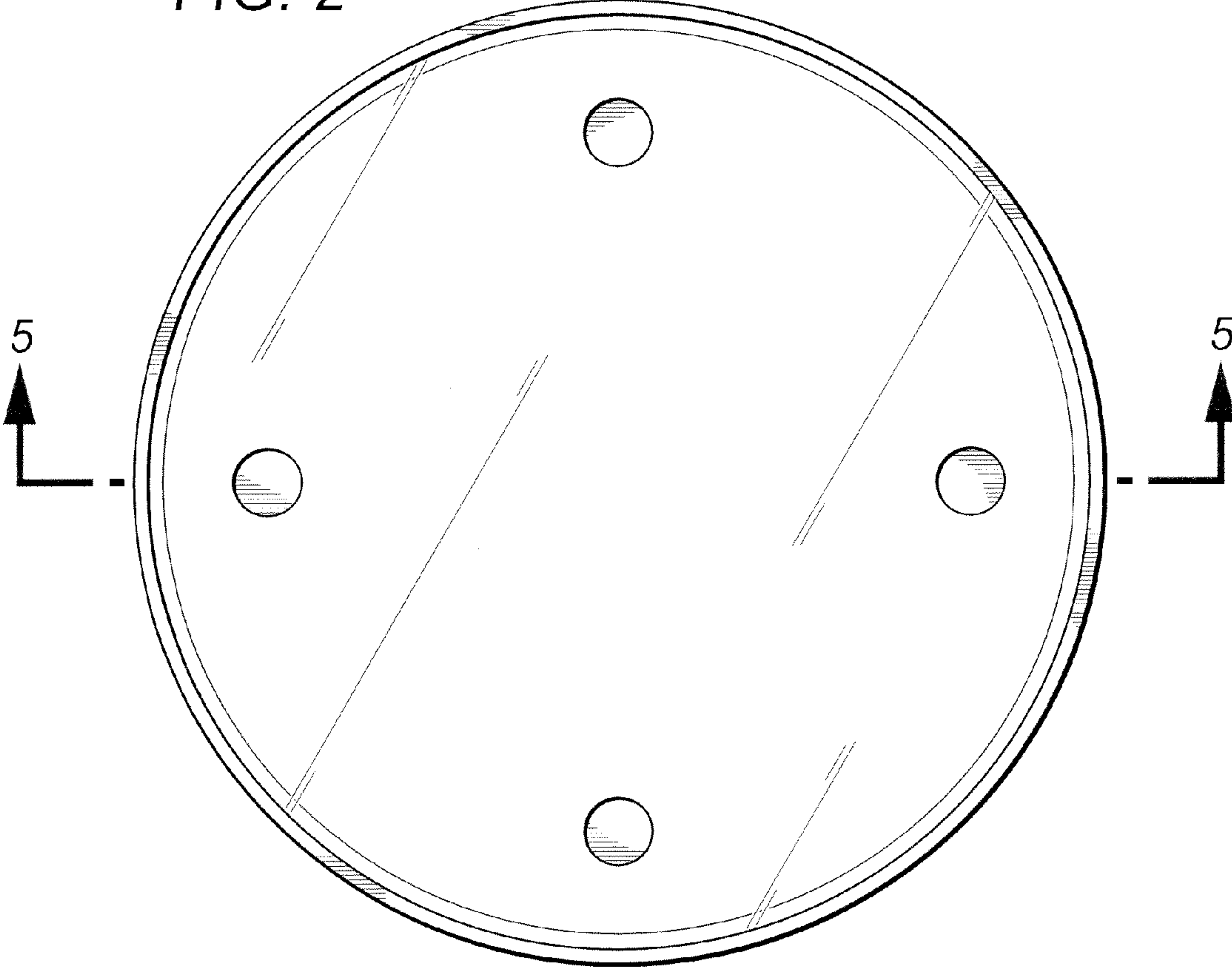


FIG. 3



FIG. 4

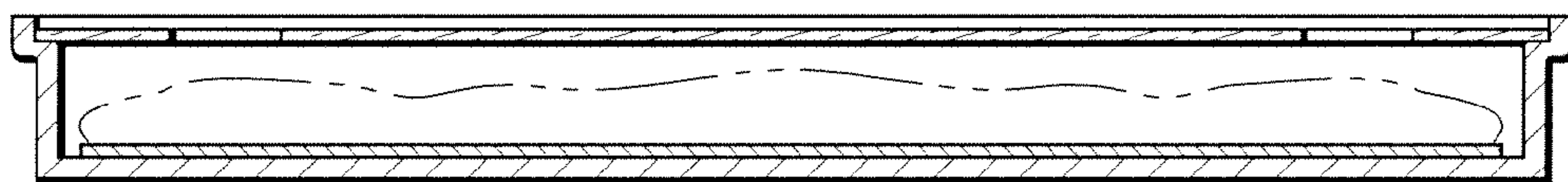
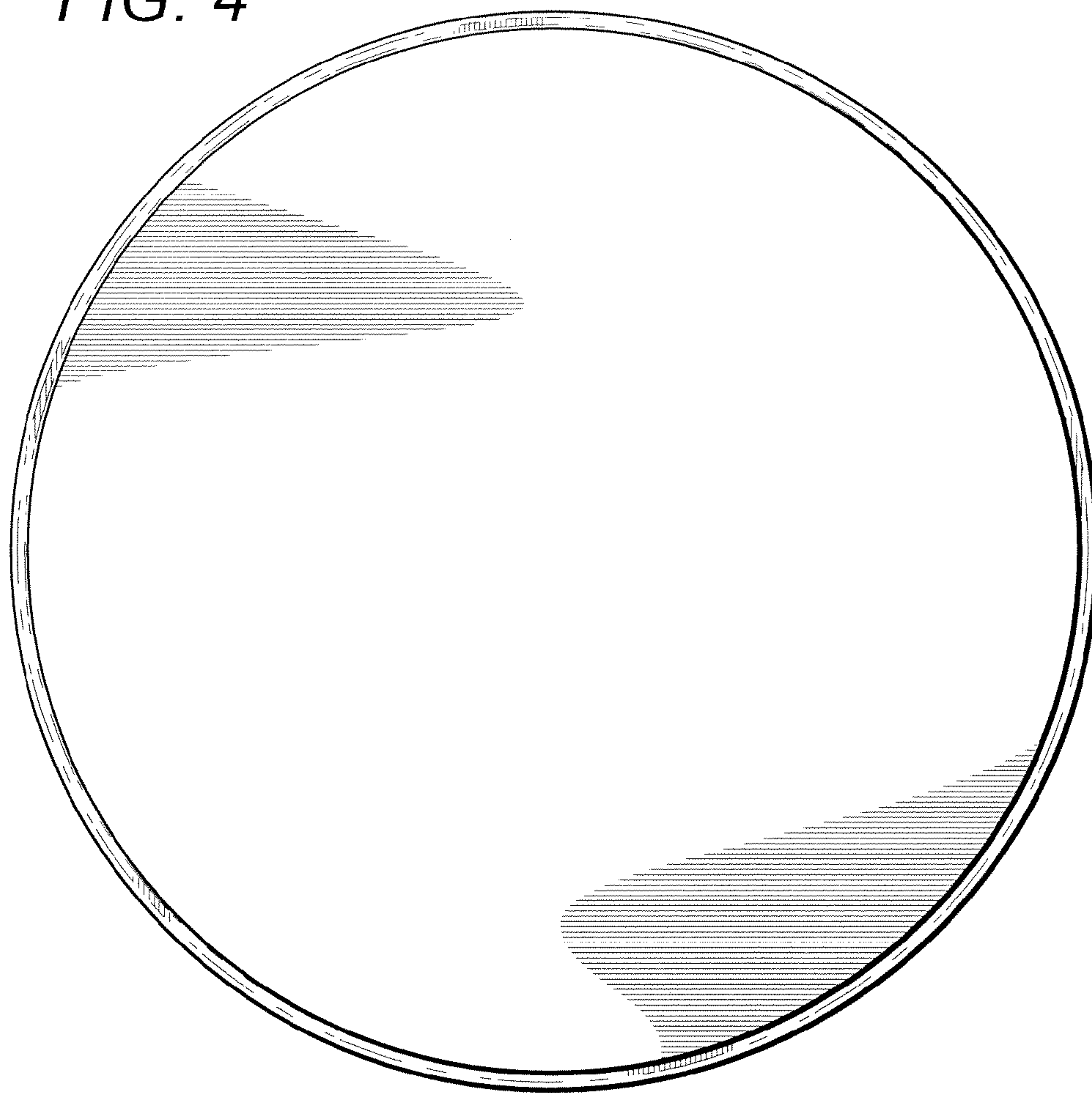


FIG. 5