



US00D610390S

(12) **United States Design Patent**
Nishijima

(10) **Patent No.:** **US D610,390 S**

(45) **Date of Patent:** **** Feb. 23, 2010**

(54) **PORTABLE GAS COOKING STOVE**

(75) Inventor: **Takeharu Nishijima**, Toyokawa (JP)

(73) Assignee: **Shin Fuji Burner Co., Ltd.**, Aichi (JP)

(**) Term: **14 Years**

(21) Appl. No.: **29/340,200**

(22) Filed: **Jul. 15, 2009**

(51) **LOC (9) Cl.** **15-05**

(52) **U.S. Cl.** **D7/332**

(58) **Field of Classification Search** D7/402,
D7/403, 407, 409, 332, 337; 126/40, 43,
126/44, 50, 9 R, 25 A, 41 R; 99/445, 448,
99/450, 372

See application file for complete search history.

(56) **References Cited**

U.S. PATENT DOCUMENTS

D120,152	S *	4/1940	Tullis	D7/337
D201,234	S *	5/1965	Busse	D7/337
3,877,458	A *	4/1975	Allender	126/44
D243,502	S *	3/1977	Chan	D7/407
D244,985	S *	7/1977	Folke	D7/337
D245,828	S *	9/1977	Monnet	D7/407
D246,151	S *	10/1977	Chan	D7/337
D249,113	S *	8/1978	Folke	D7/337
D249,448	S *	9/1978	Vache	D7/337
4,759,339	A *	7/1988	Hefling	126/44
5,307,798	A *	5/1994	Overmars, Sr.	126/40
D355,809	S *	2/1995	Kothrade	D7/337
5,425,354	A *	6/1995	Park	126/50
D416,750	S *	11/1999	Persson	D7/337
5,992,408	A *	11/1999	Chen	126/43
D422,178	S *	4/2000	Persson	D7/403
D424,364	S *	5/2000	Persson	D7/337
6,129,078	A *	10/2000	Moulder	126/40
6,173,709	B1 *	1/2001	Yokoyama	126/40
D446,991	S *	8/2001	Taniguchi et al.	D7/337
D478,771	S *	8/2003	Wu	D7/337
2005/0224067	A1 *	10/2005	Park	126/50
2008/0184981	A1 *	8/2008	Su	126/40

* cited by examiner

Primary Examiner—Ruth McInroy

(74) *Attorney, Agent, or Firm*—Wenderoth, Lind & Ponack, L.L.P.

(57) **CLAIM**

I claim the ornamental design for a portable gas cooking stove, as shown and described.

DESCRIPTION

FIG. 1 is a left-hand side perspective view of a portable gas cooking stove showing my new design;

FIG. 2 is a right-hand side perspective view thereof;

FIG. 3 is a bottom perspective view thereof

FIG. 4 is a top plan view thereof;

FIG. 5 is a front view thereof;

FIG. 6 is a bottom view thereof;

FIG. 7 is a rear view thereof;

FIG. 8 is a left-hand side view thereof;

FIG. 9 is a right-hand side view thereof;

FIG. 10 is a left-hand side perspective view thereof with the grate and the fire adjustment handle folded;

FIG. 11 is a right-hand side perspective view thereof with the grate and the fire adjustment handle folded;

FIG. 12 is a plan view thereof with the grate and the fire adjustment handle folded;

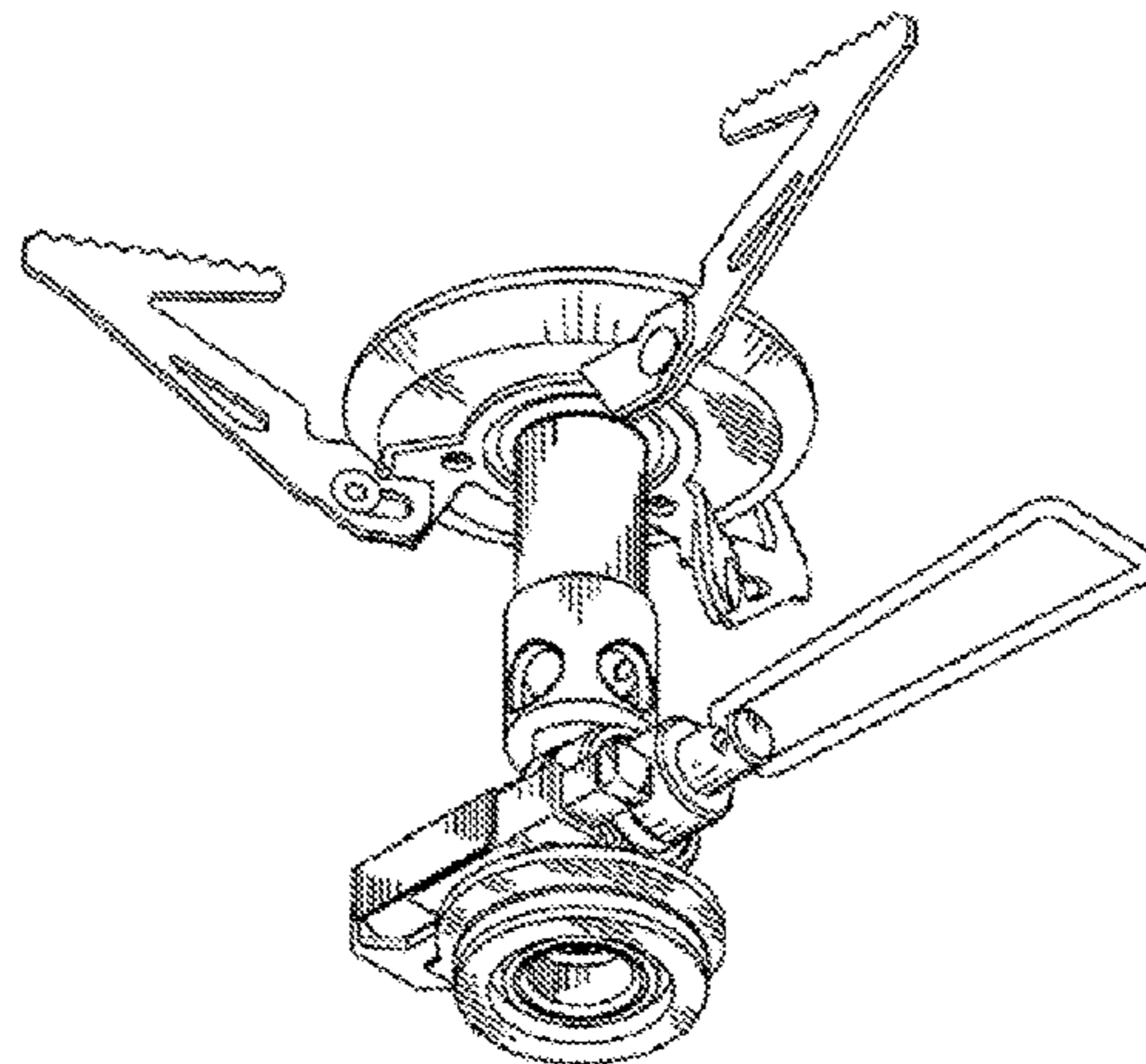
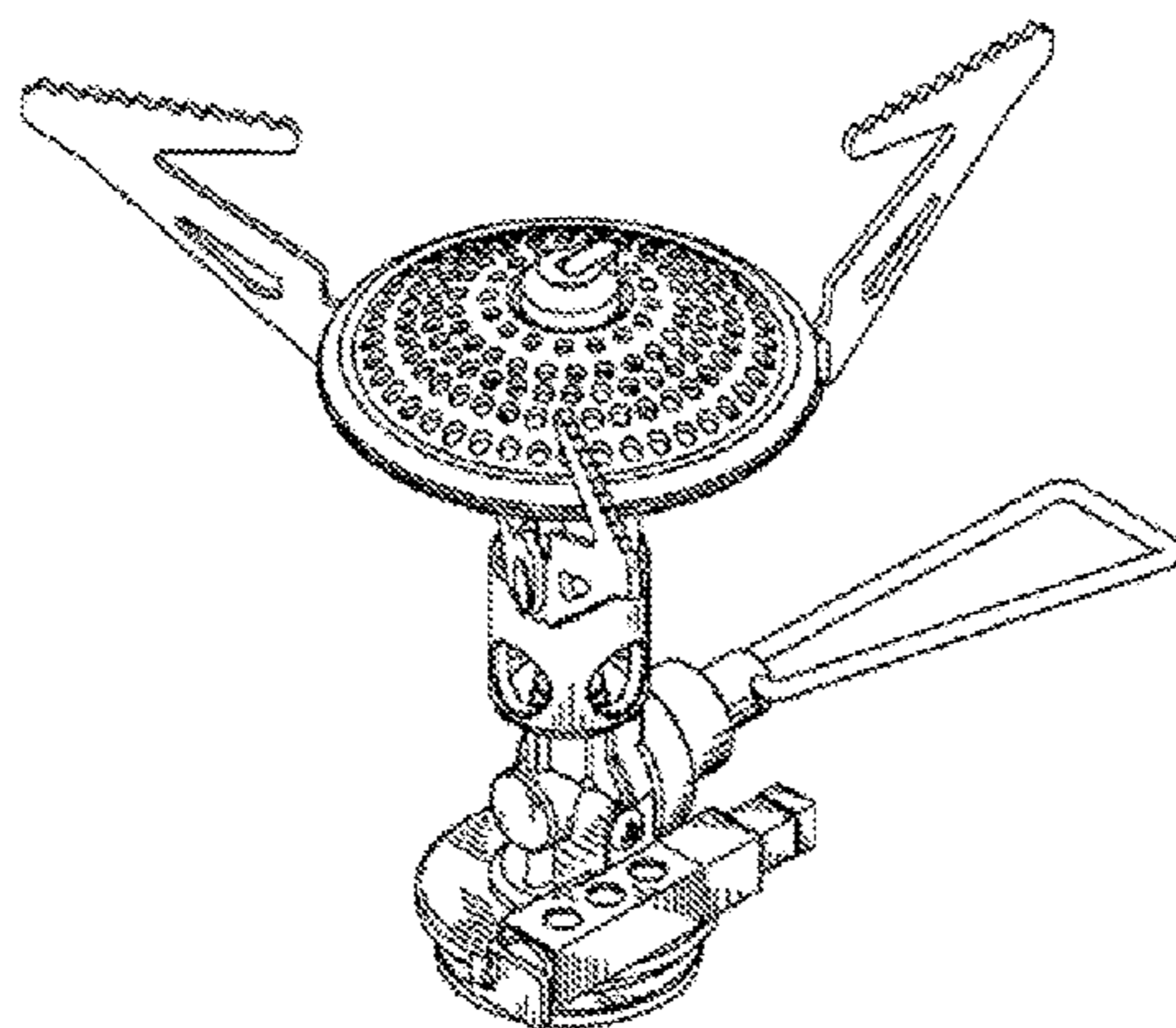
FIG. 13 is a front view thereof with the grate and the fire adjustment handle folded;

FIG. 14 is a bottom view thereof with the grate and the fire adjustment handle folded;

FIG. 15 is a left-hand side view thereof with the grate and the fire adjustment handle folded;

FIG. 16 is a right-hand side view thereof with the grate and the fire adjustment handle folded; and,

FIG. 17 is a perspective view thereof, the details shown in broken lines form no part of the claimed design.



The ornamental design which is claimed is shown in solid lines in the drawings. The broken lines in the drawings are for illustrative purposes only and form no part of the claimed design.

1 Claim, 9 Drawing Sheets

Fig. 1

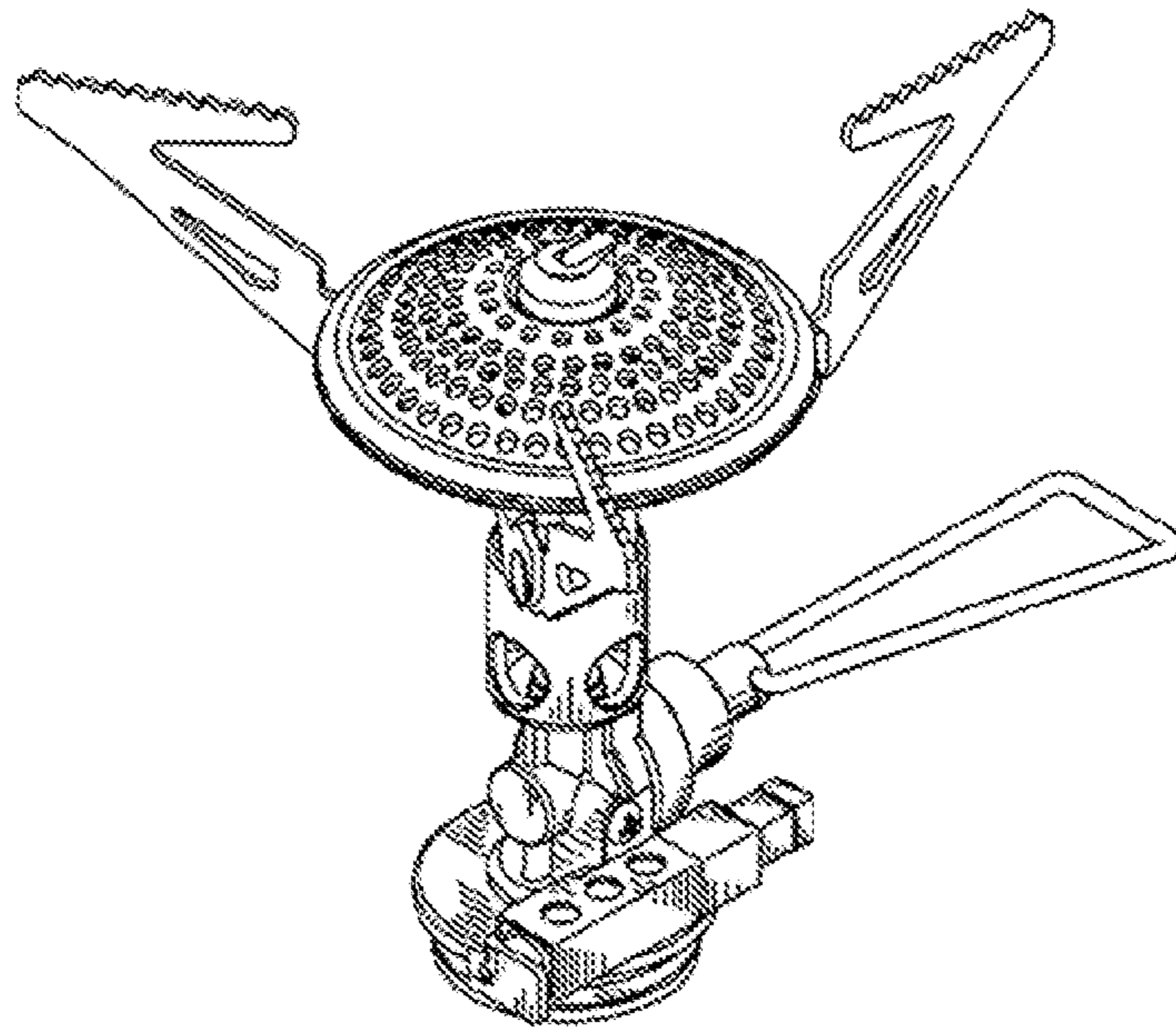


Fig. 2

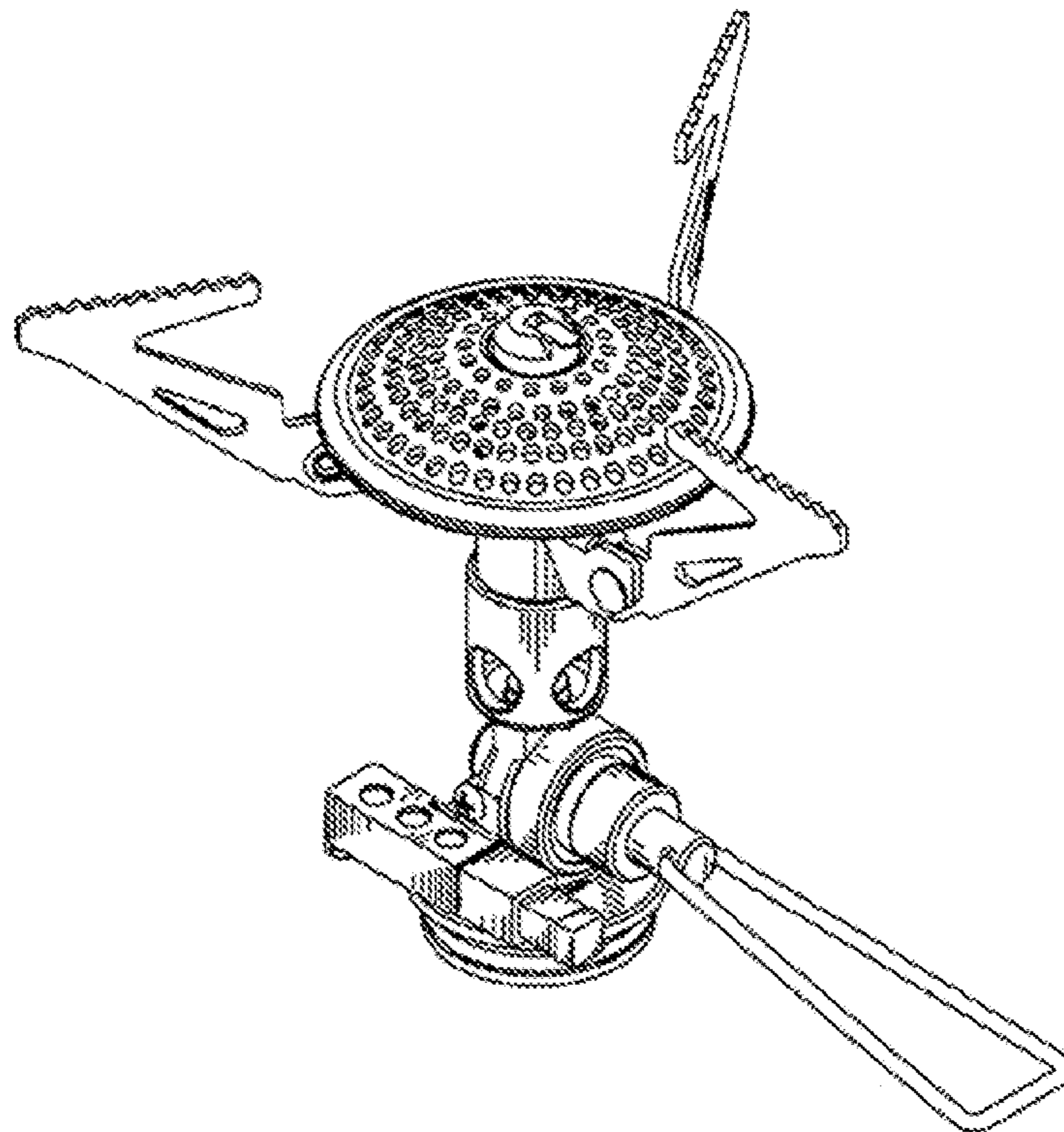


Fig. 3

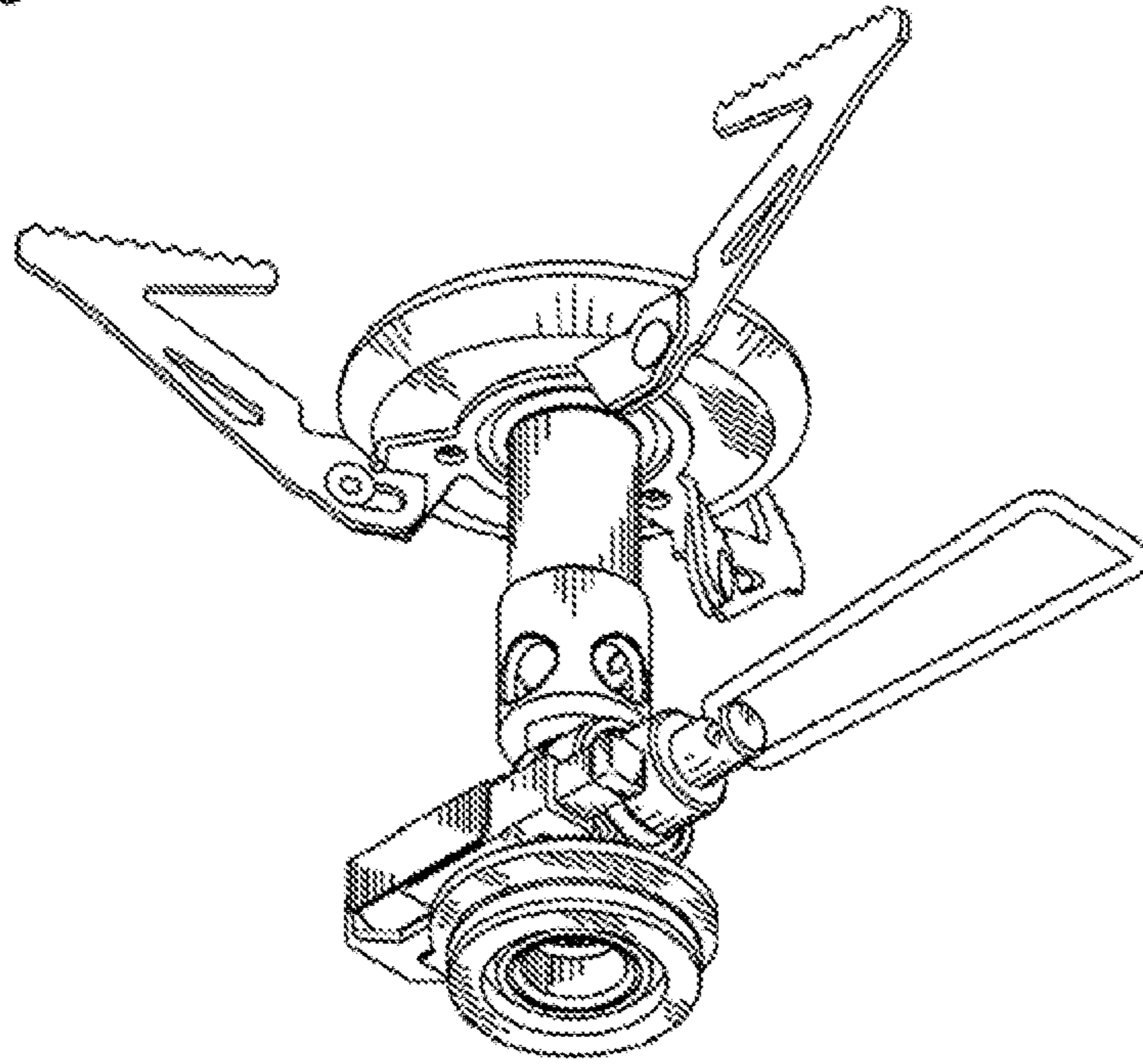


Fig. 4

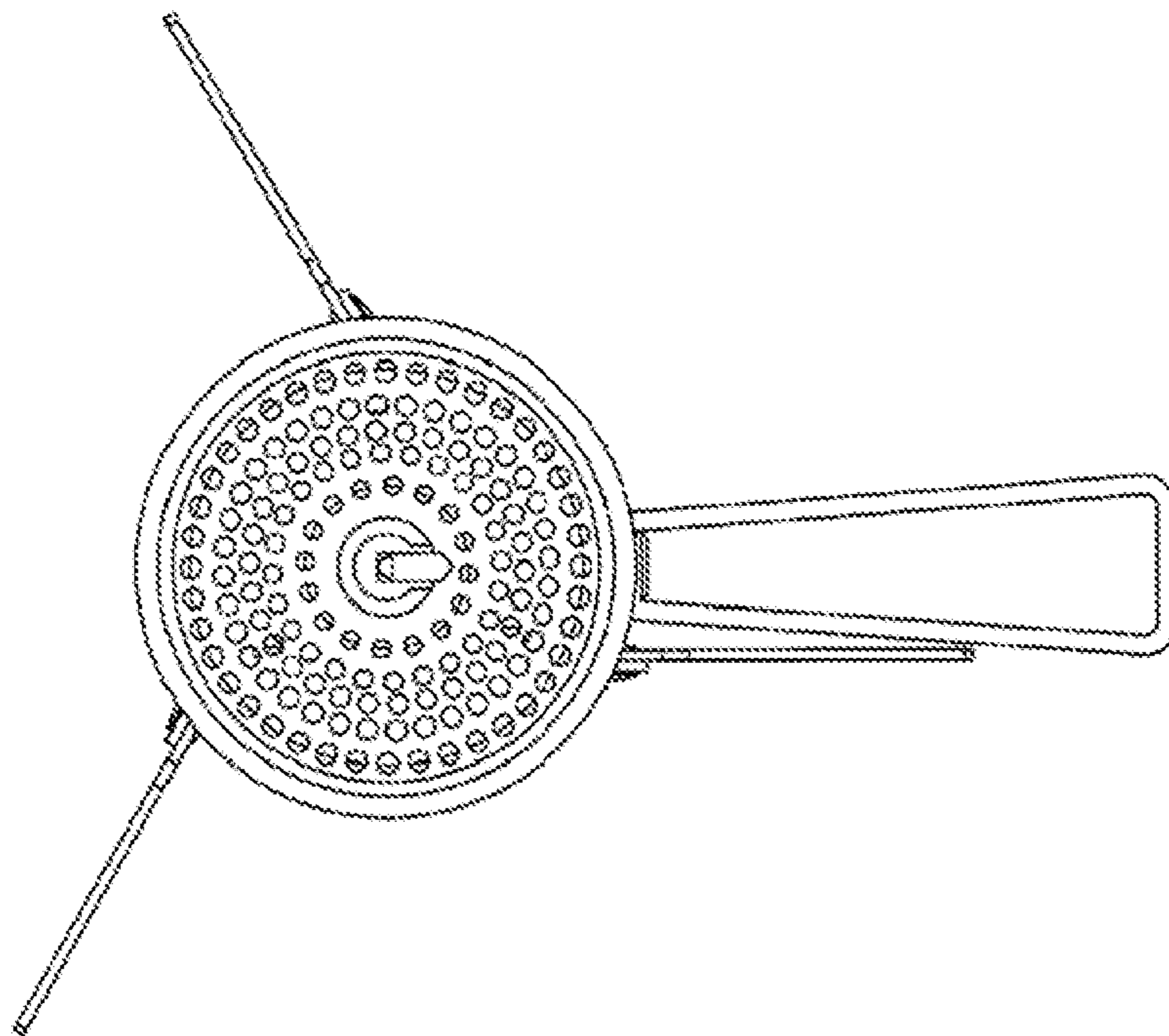


Fig. 5

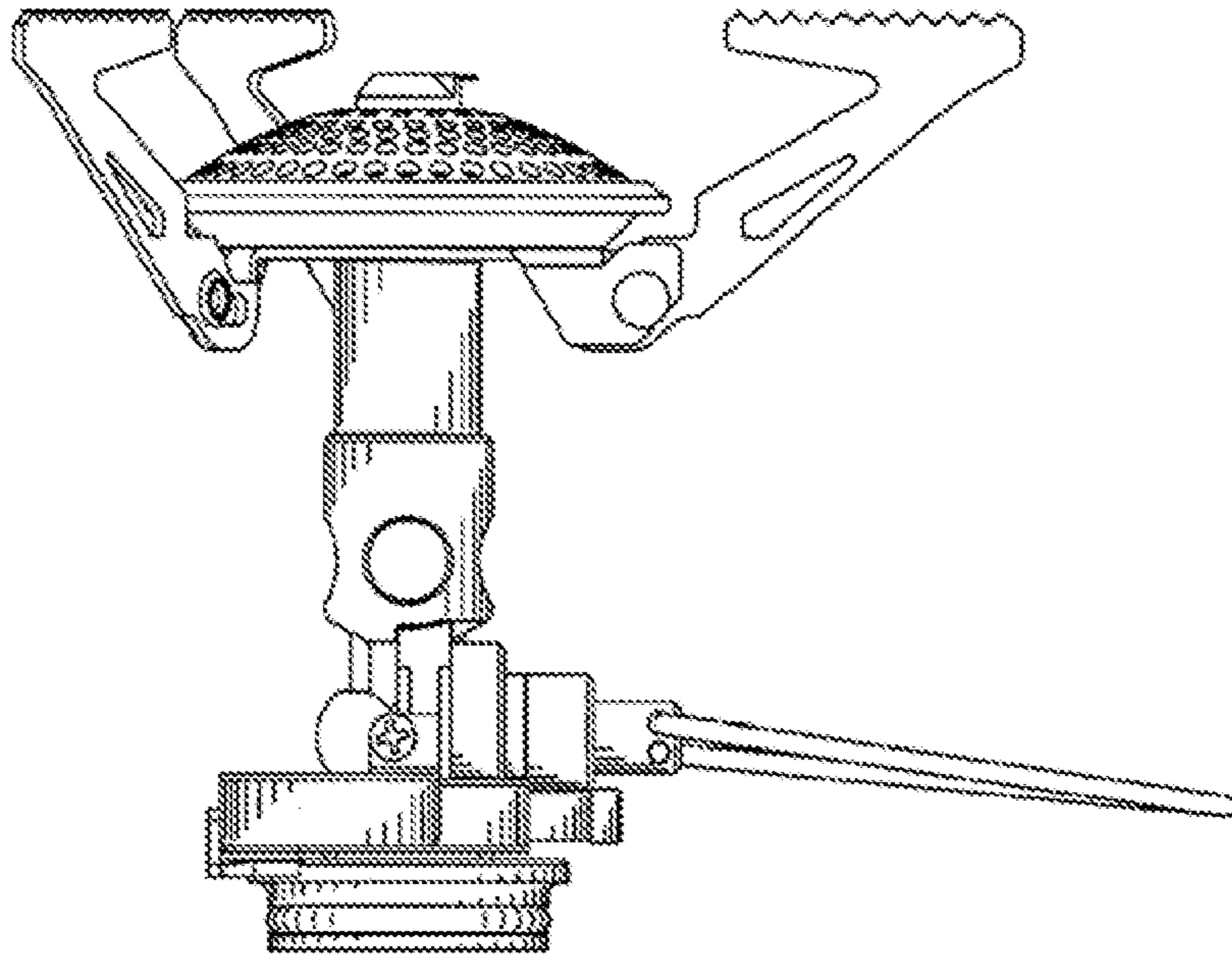


Fig. 6

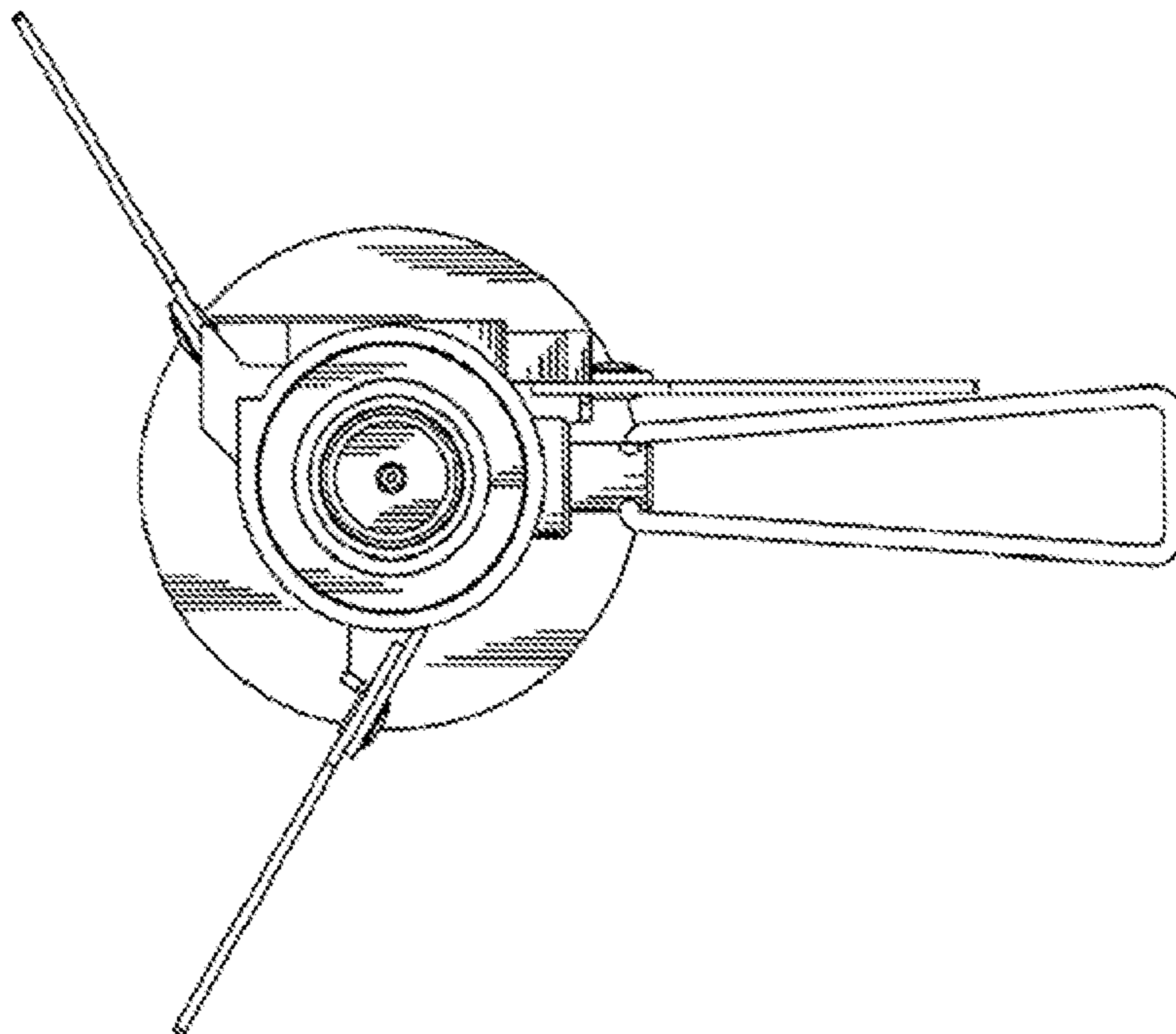


Fig. 7

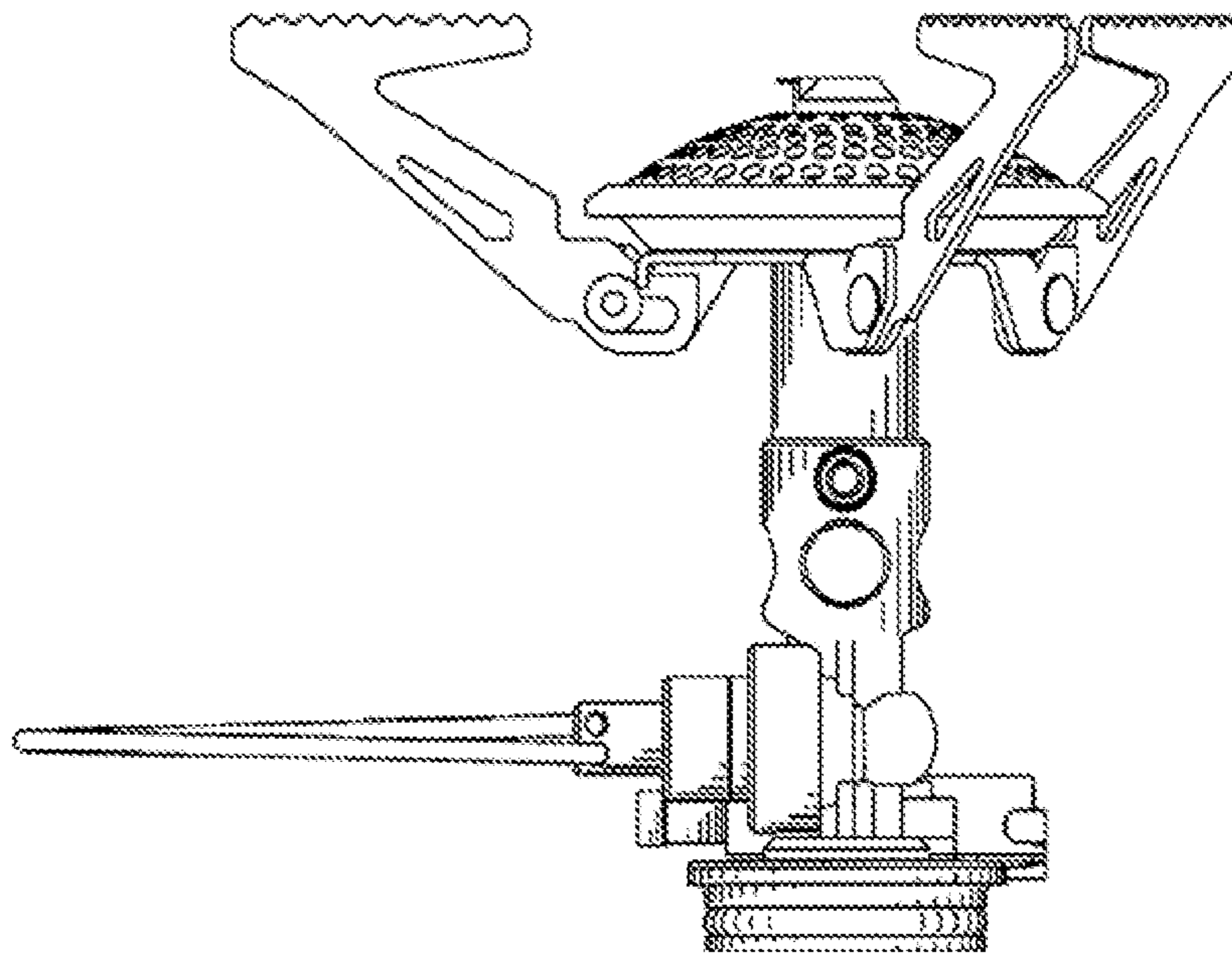


Fig. 8

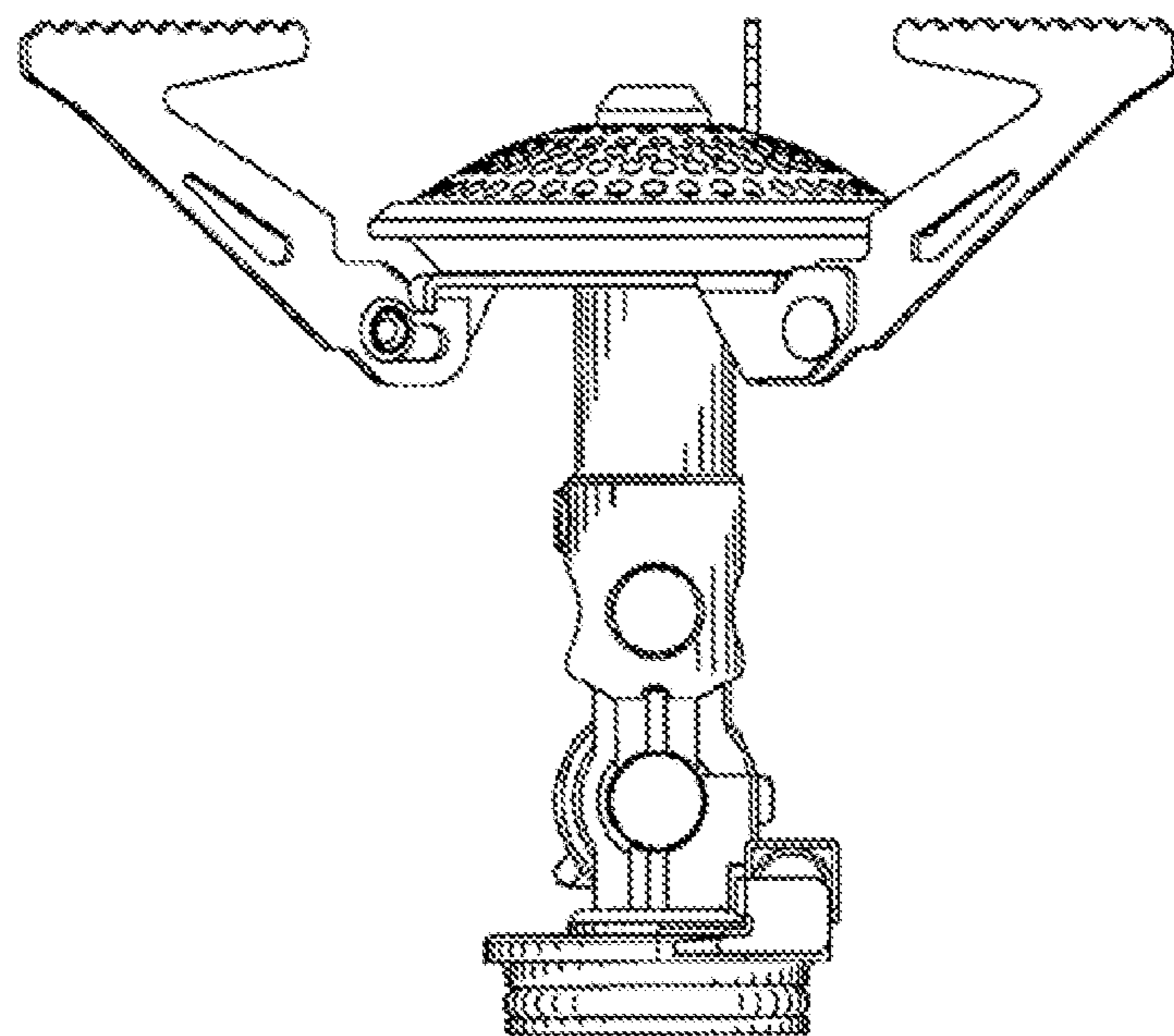


Fig. 9

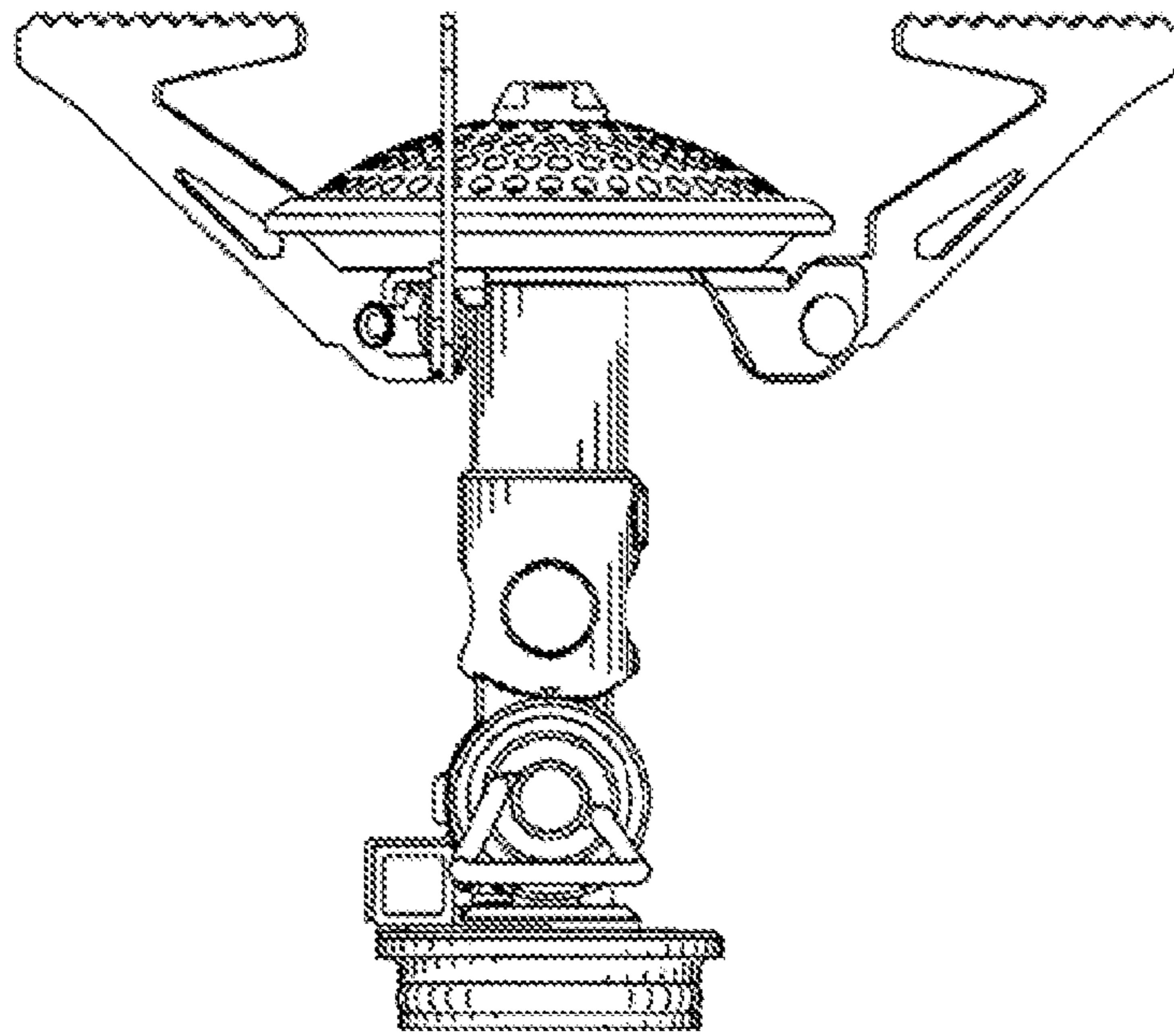


Fig. 10

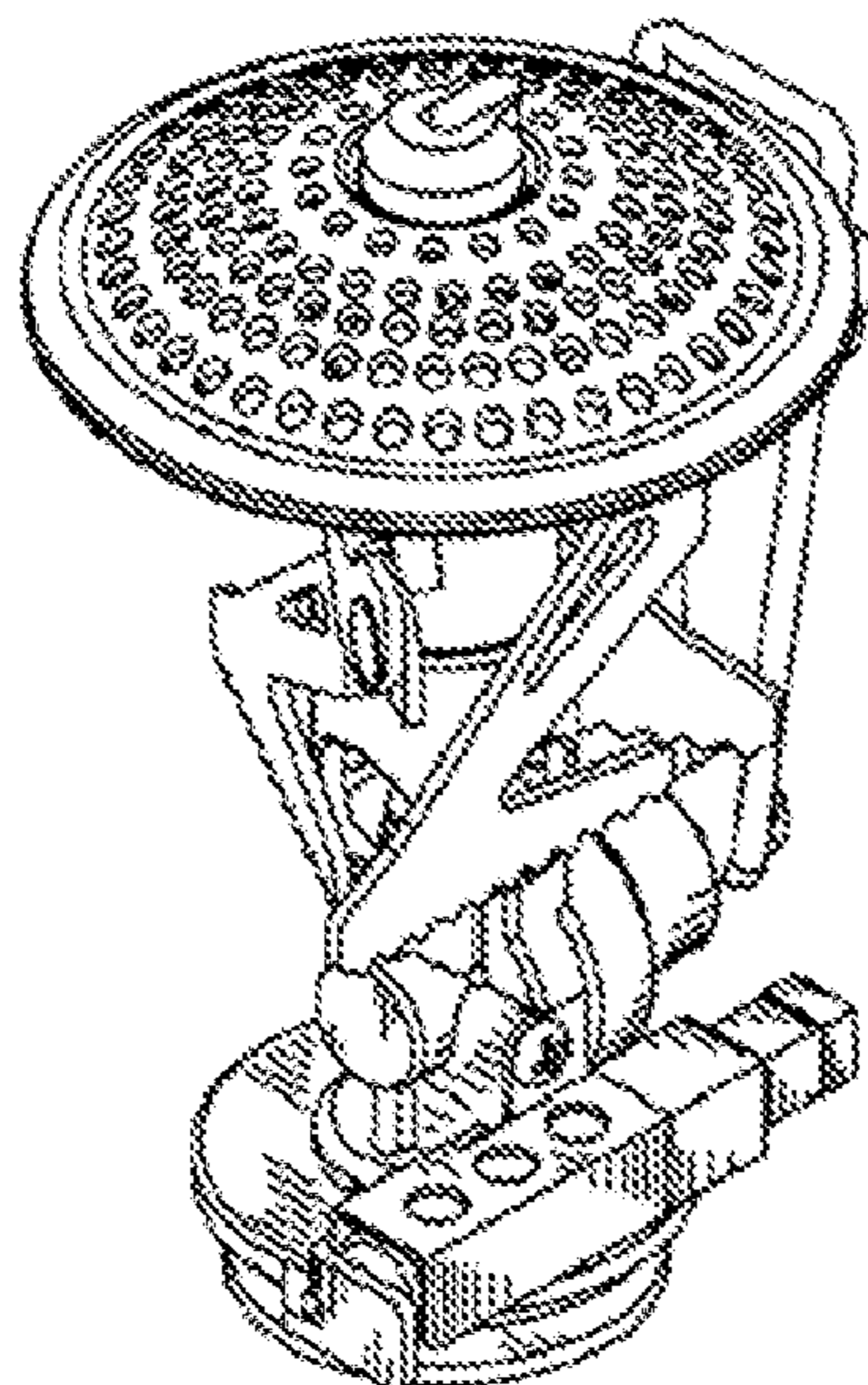


Fig. 11

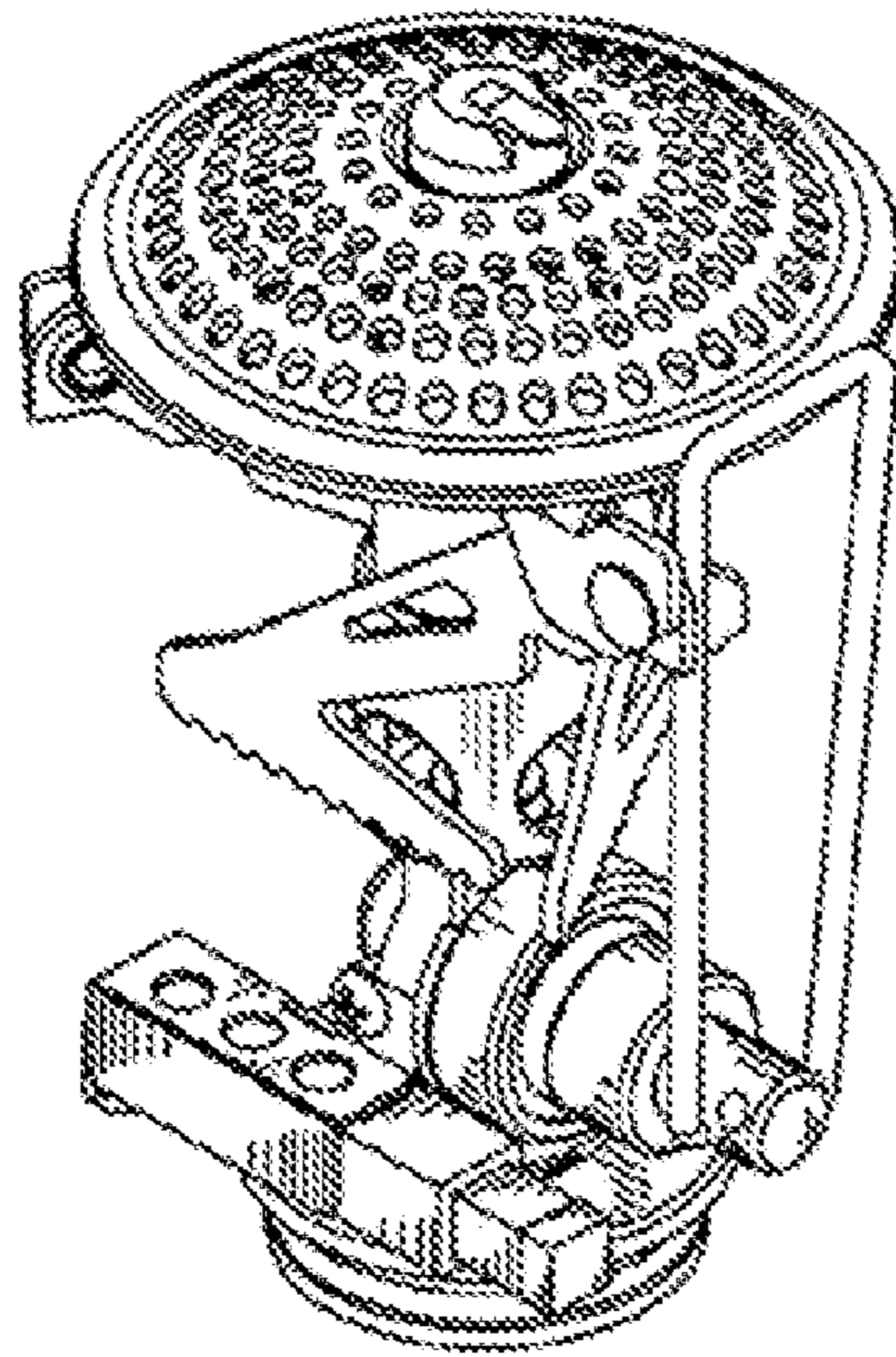


Fig. 12

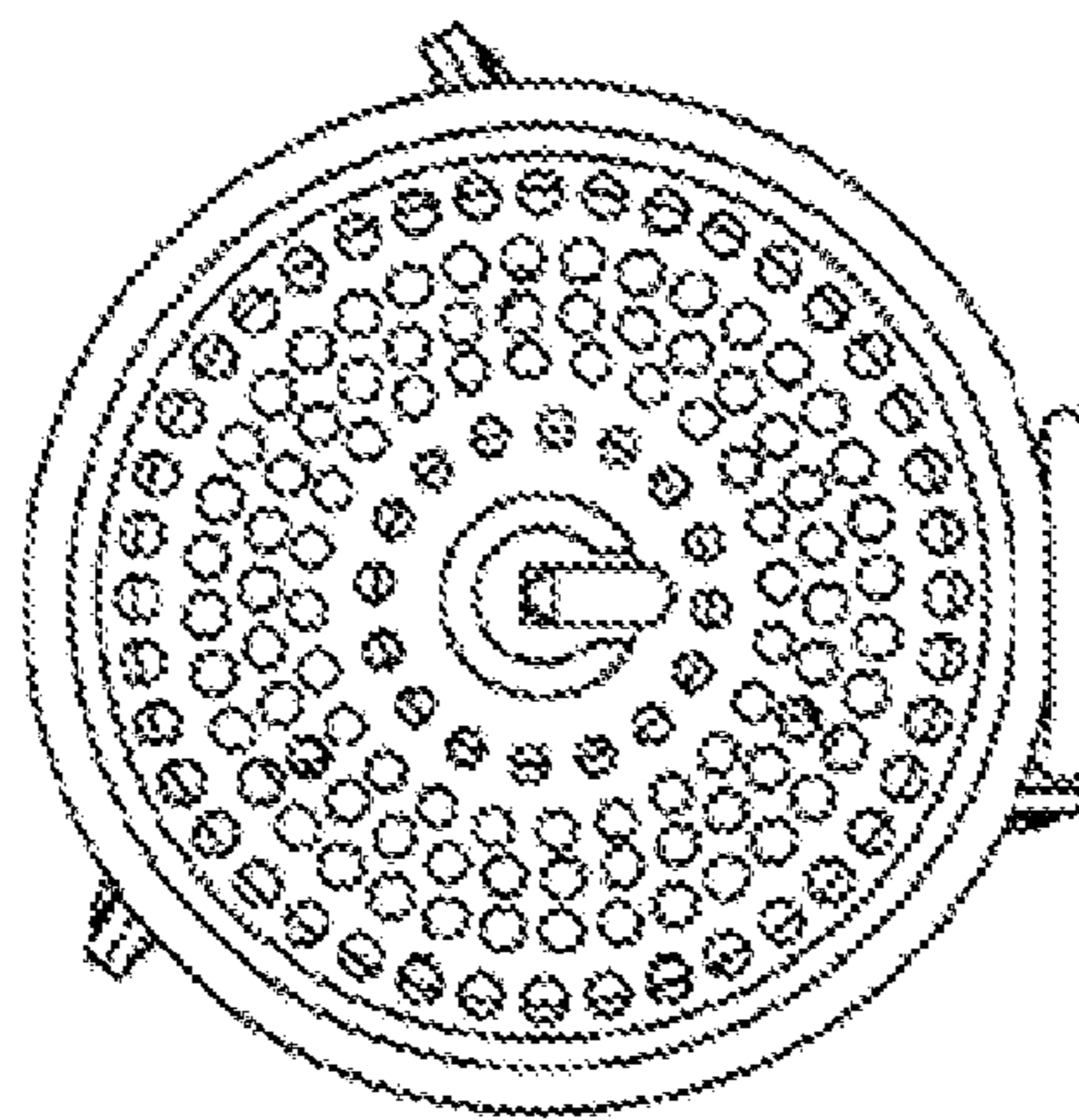


Fig. 13

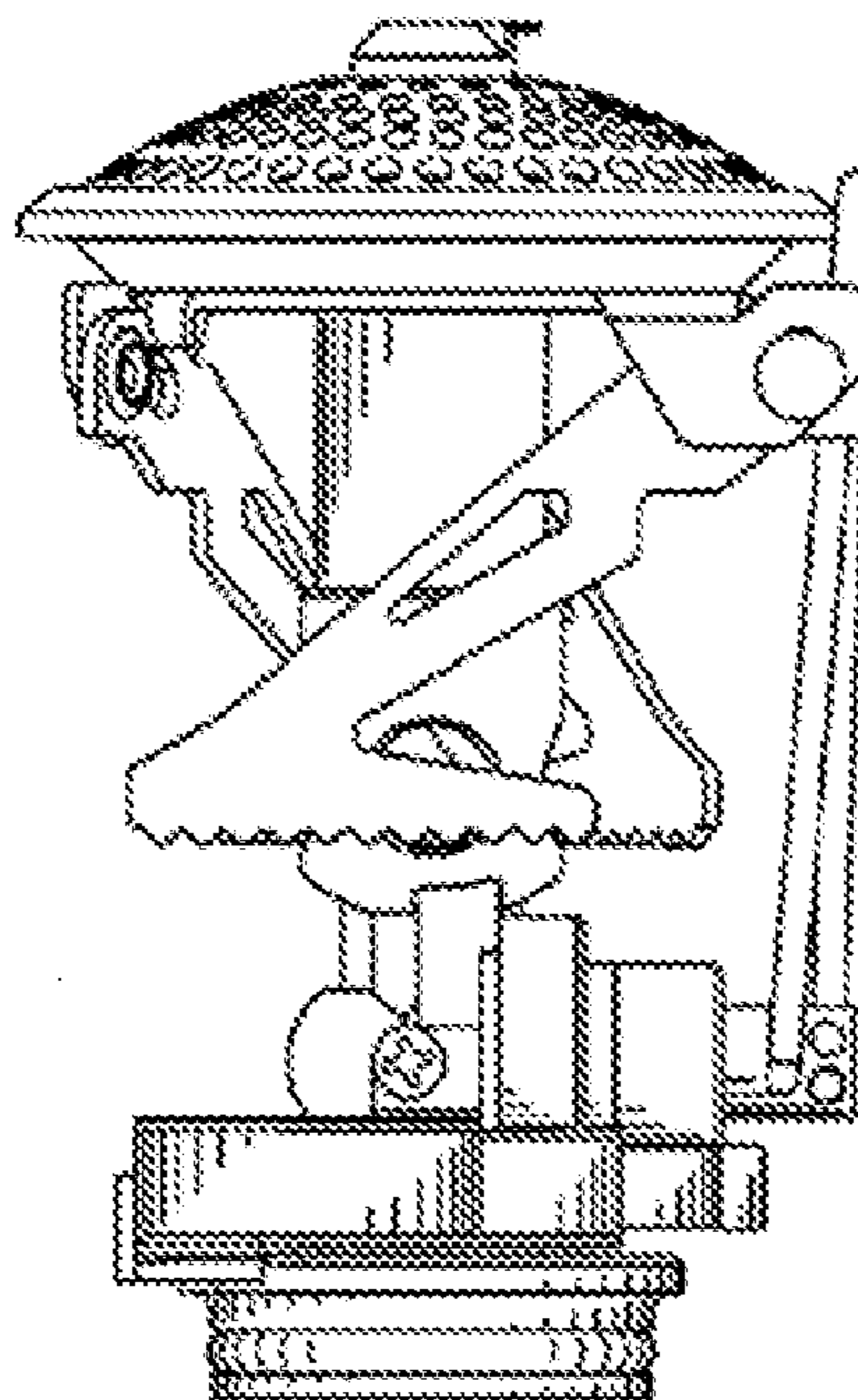


Fig. 14

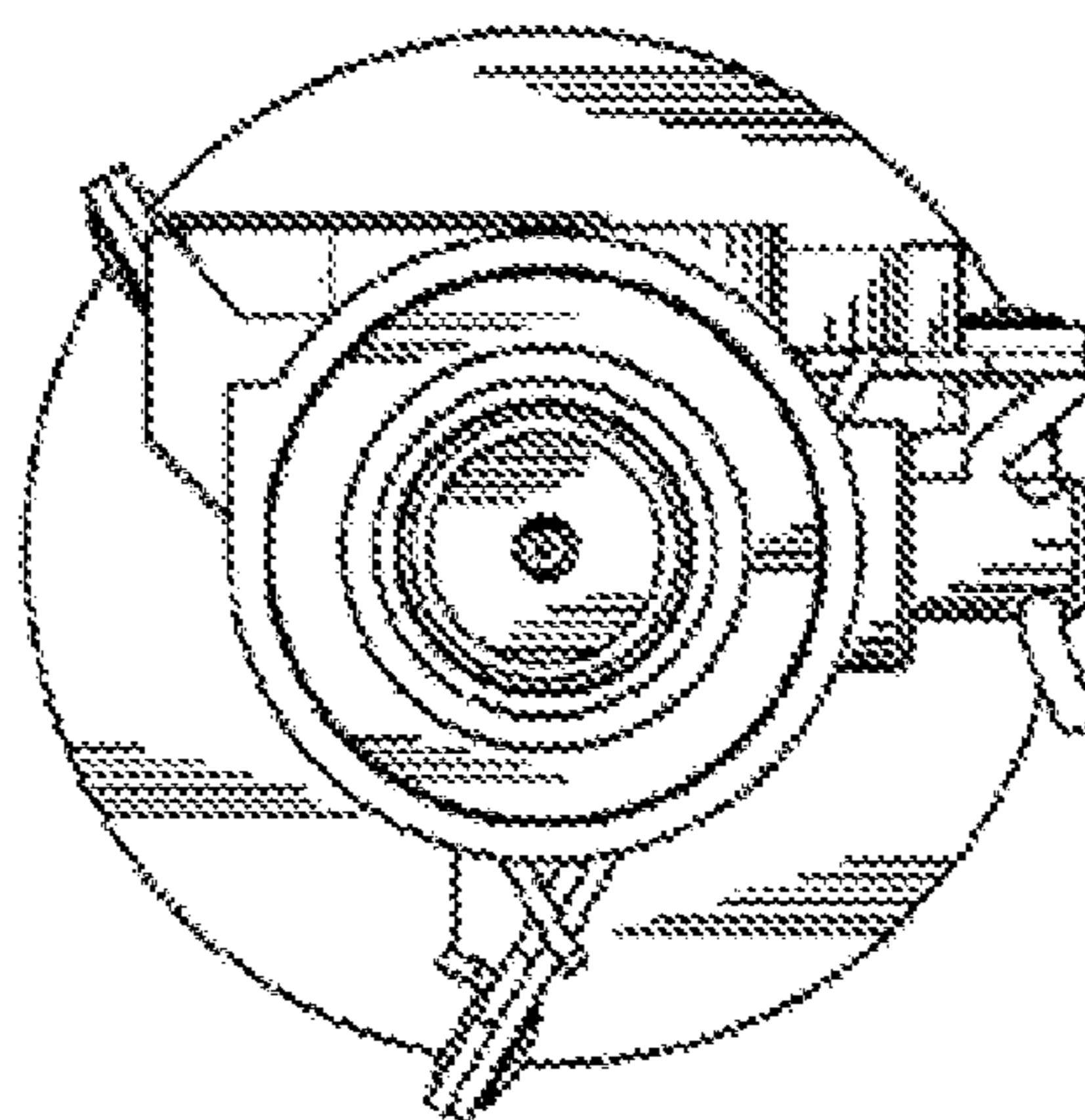


Fig. 15

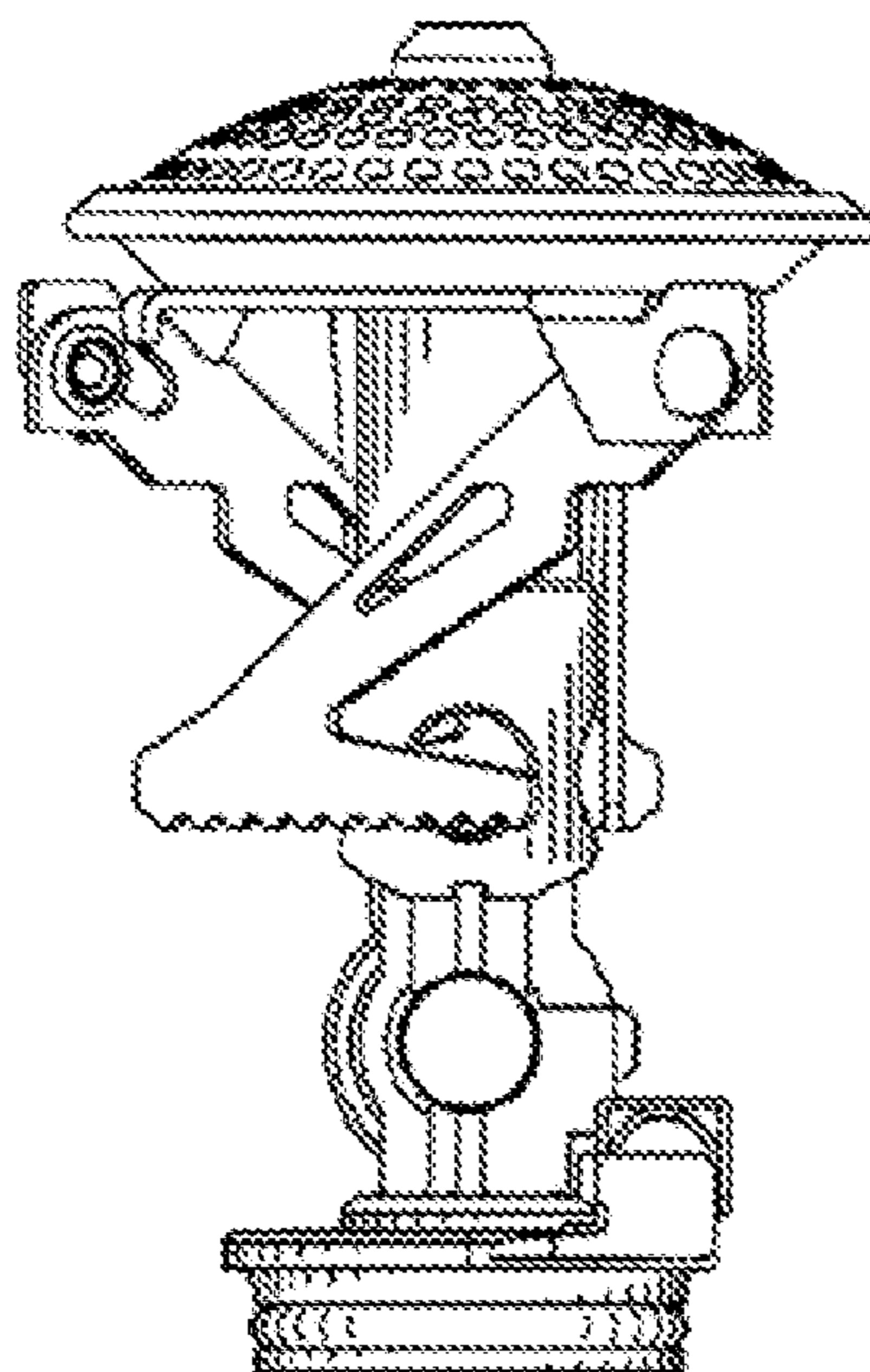


Fig. 16

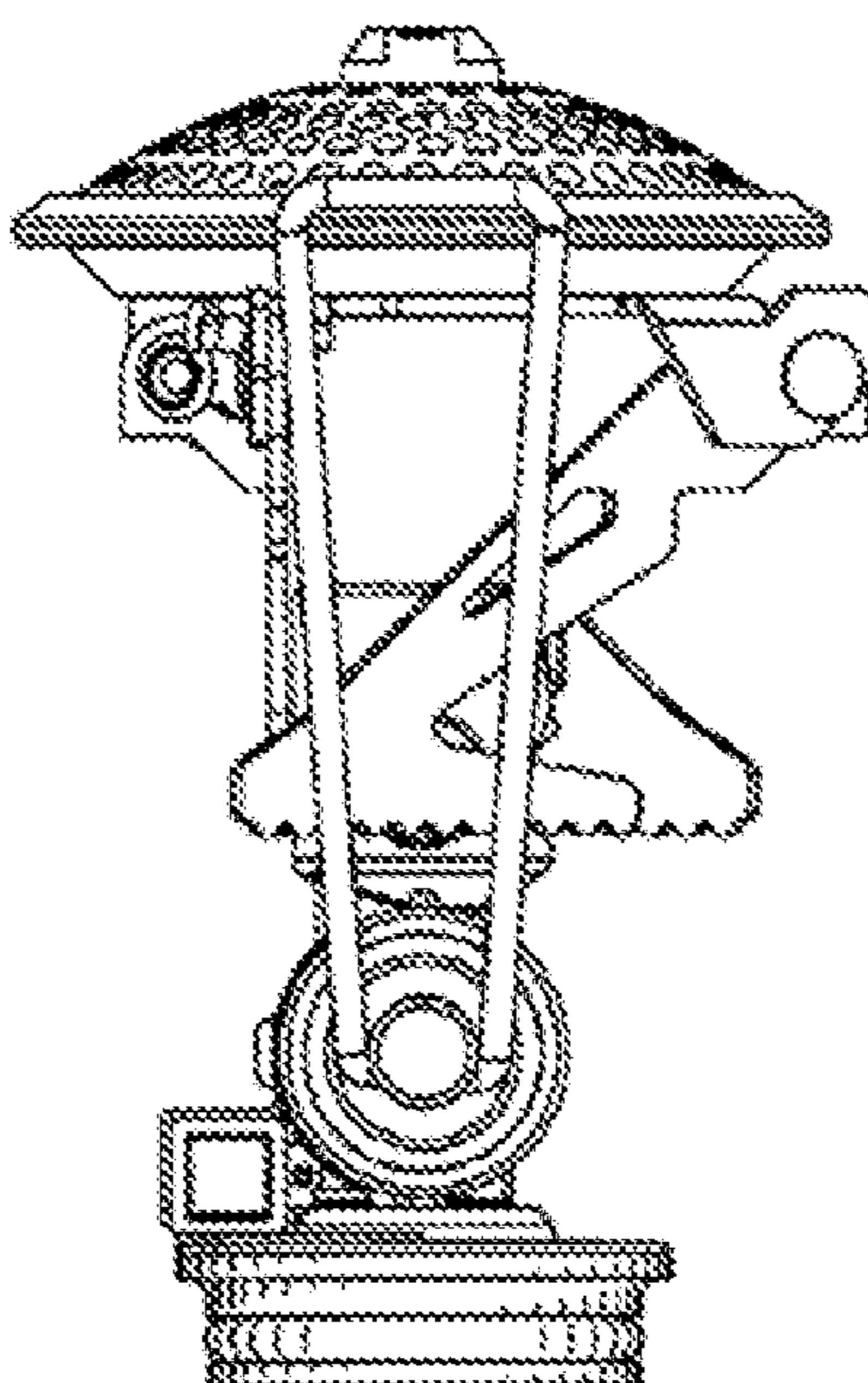
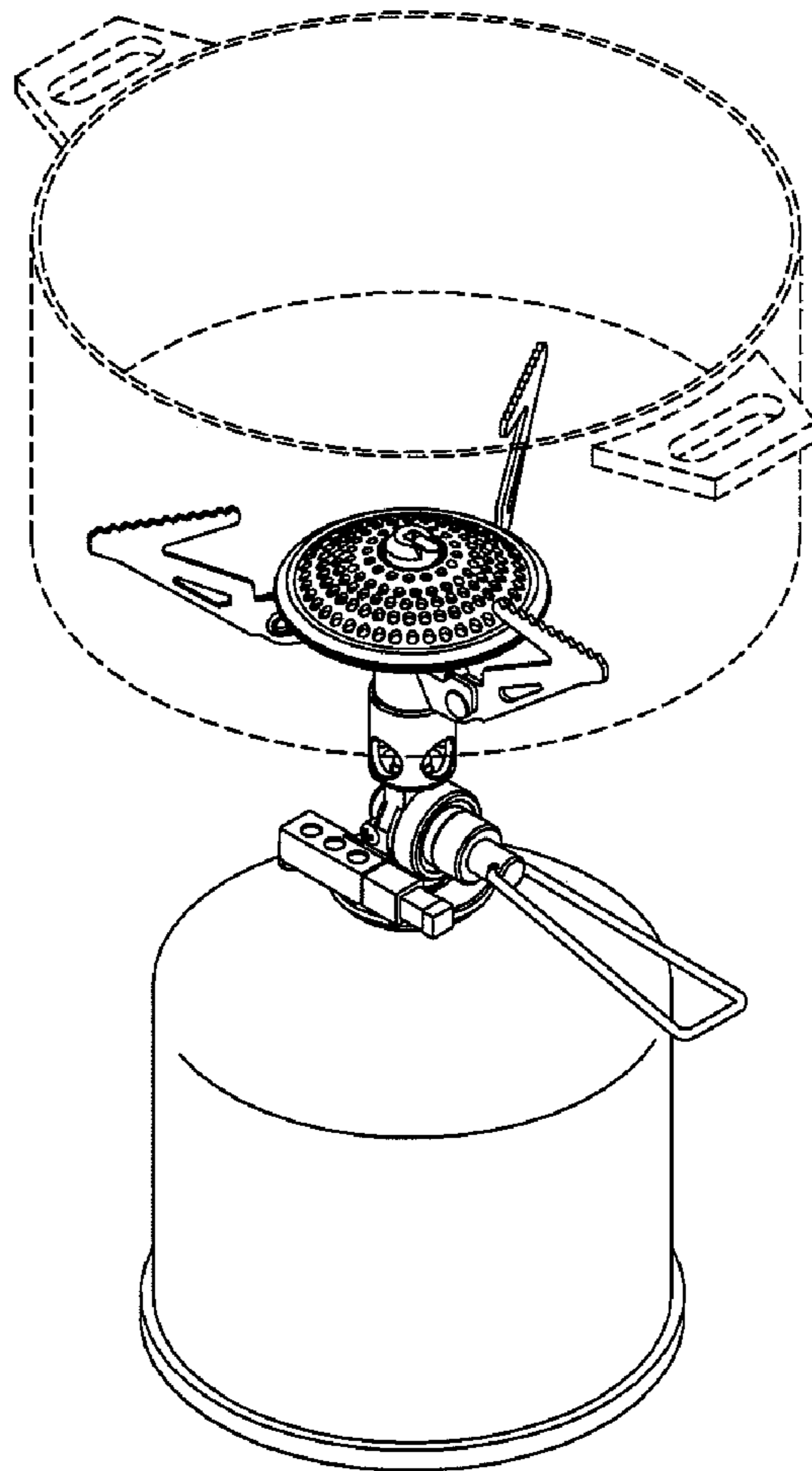


Fig. 17



UNITED STATES PATENT AND TRADEMARK OFFICE
CERTIFICATE OF CORRECTION

PATENT NO. : Des. 610,390 S
APPLICATION NO. : 29/340200
DATED : February 23, 2010
INVENTOR(S) : Takeharu Nishijima

Page 1 of 1

It is certified that error appears in the above-identified patent and that said Letters Patent is hereby corrected as shown below:

On the Title Page, between Item (22) and Item (51), please insert:

Item --(30) **Foreign Application Priority Data**

Jan. 21, 2009 (JP) 2009-000985--

Signed and Sealed this

Sixth Day of April, 2010



David J. Kappos
Director of the United States Patent and Trademark Office