



US00D610389S

(12) **United States Design Patent**  
**Borin et al.**

(10) **Patent No.:** **US D610,389 S**  
(45) **Date of Patent:** **\*\* Feb. 23, 2010**

(54) **ESPRESSO COFFEE MACHINE**

(75) Inventors: **Giacomo Borin**, Pordenone (IT); **Marco Vaona**, Mestre (IT)

(73) Assignee: **De'Longhi S.p.A.**, Treviso (IT)

(\*\*) Term: **14 Years**

(21) Appl. No.: **29/313,254**

(22) Filed: **Dec. 19, 2008**

(30) **Foreign Application Priority Data**

Jun. 30, 2008 (EM) ..... 000959937

(51) **LOC (9) Cl.** ..... **07-01**

(52) **U.S. Cl.** ..... **D7/309; D7/311**

(58) **Field of Classification Search** ..... D7/300,  
D7/305-312, 397, 398; 99/299, 284, 280,  
99/283, 300; 219/433

See application file for complete search history.

(56) **References Cited**

**U.S. PATENT DOCUMENTS**

D164,220 S	8/1951	Dale	
D206,476 S	12/1966	Cournoyer	
D212,589 S	11/1968	Roberts	
D242,892 S	1/1977	Brown et al.	
D345,074 S	3/1994	Myers	
D353,915 S	12/1994	Lanne	
D396,987 S *	8/1998	Seiffert	D7/309
D400,046 S *	10/1998	Seiffert	D7/309
D413,224 S	8/1999	Cruz et al.	
D414,383 S	9/1999	Fitzgibbons et al.	
6,205,910 B1	3/2001	Vaughn	
D445,292 S *	7/2001	Sowden	D7/309
D448,248 S	9/2001	Nichols	
D449,199 S *	10/2001	Cahen	D7/309
D455,324 S	4/2002	Wright	
D455,325 S	4/2002	Steiner	
D482,926 S	12/2003	Copland	

D486,346 S *	2/2004	Jonsson	D7/309
D511,269 S	11/2005	MacWilliam	
D523,279 S *	6/2006	Zemp	D7/309
D524,983 S	7/2006	Smith et al.	
D525,474 S	7/2006	Huang	
D526,524 S *	8/2006	Jordana	D7/309
D526,828 S *	8/2006	Jordana	D7/309
D530,996 S	10/2006	Yang	
D536,917 S *	2/2007	McWilliam	D7/309
7,328,865 B1	2/2008	Mills	
D563,153 S	3/2008	Bodum	
D565,910 S	4/2008	Krus et al.	

(Continued)

*Primary Examiner*—Marianne Pandozzi

(74) *Attorney, Agent, or Firm*—Flaster/Greenberg, P.C.

(57) **CLAIM**

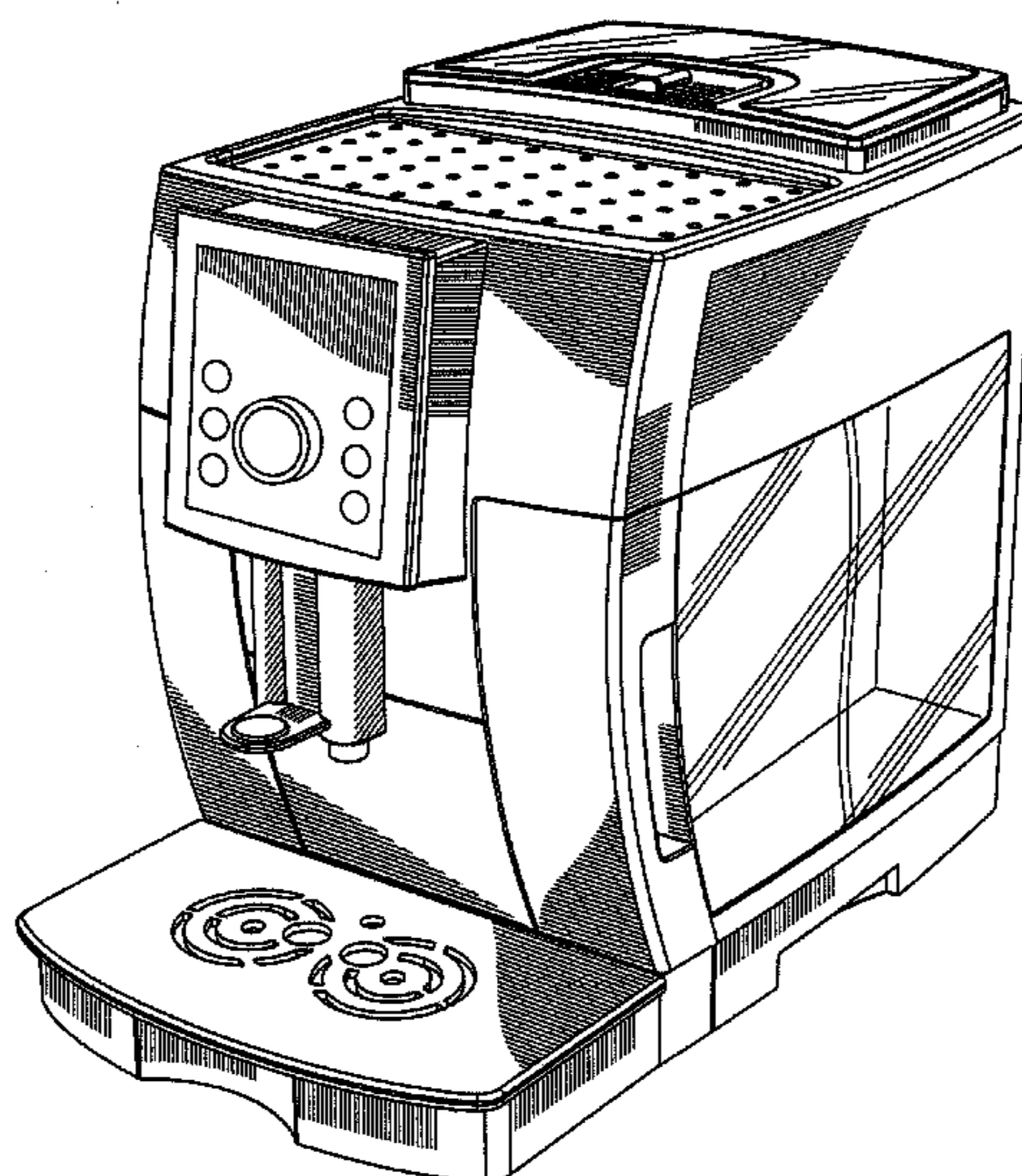
The ornamental design for a espresso coffee machine, as shown and described.

**DESCRIPTION**

FIG. 1 is a perspective view of the espresso coffee machine; FIG. 2 is a front view of the espresso coffee machine; FIG. 3 is a rear view of the espresso coffee machine; FIG. 4 is a right side view of the espresso coffee machine; FIG. 5 is a left side view of the espresso coffee machine; FIG. 6 is a bottom view of the espresso coffee machine; and, FIG. 7 is a top view of the espresso coffee machine.

The broken lines in FIG. 3 are included for the purpose of illustration and form no part of the claimed design.

**1 Claim, 7 Drawing Sheets**



# US D610,389 S

Page 2

---

U.S. PATENT DOCUMENTS						
			D586,603 S *	2/2009	Borin .....	D7/309
			D586,604 S *	2/2009	Buttler .....	D7/309
			D587,511 S *	3/2009	Buttler .....	D7/309
			2006/0278746 A1	12/2006	Delbridge et al.	
			* cited by examiner			
7,367,519 B2	5/2008	De Groote et al.				
D570,636 S *	6/2008	Kulujian et al. ....	D7/306			
D581,750 S	12/2008	deGroote				
D584,096 S *	1/2009	Lutz .....	D7/307			

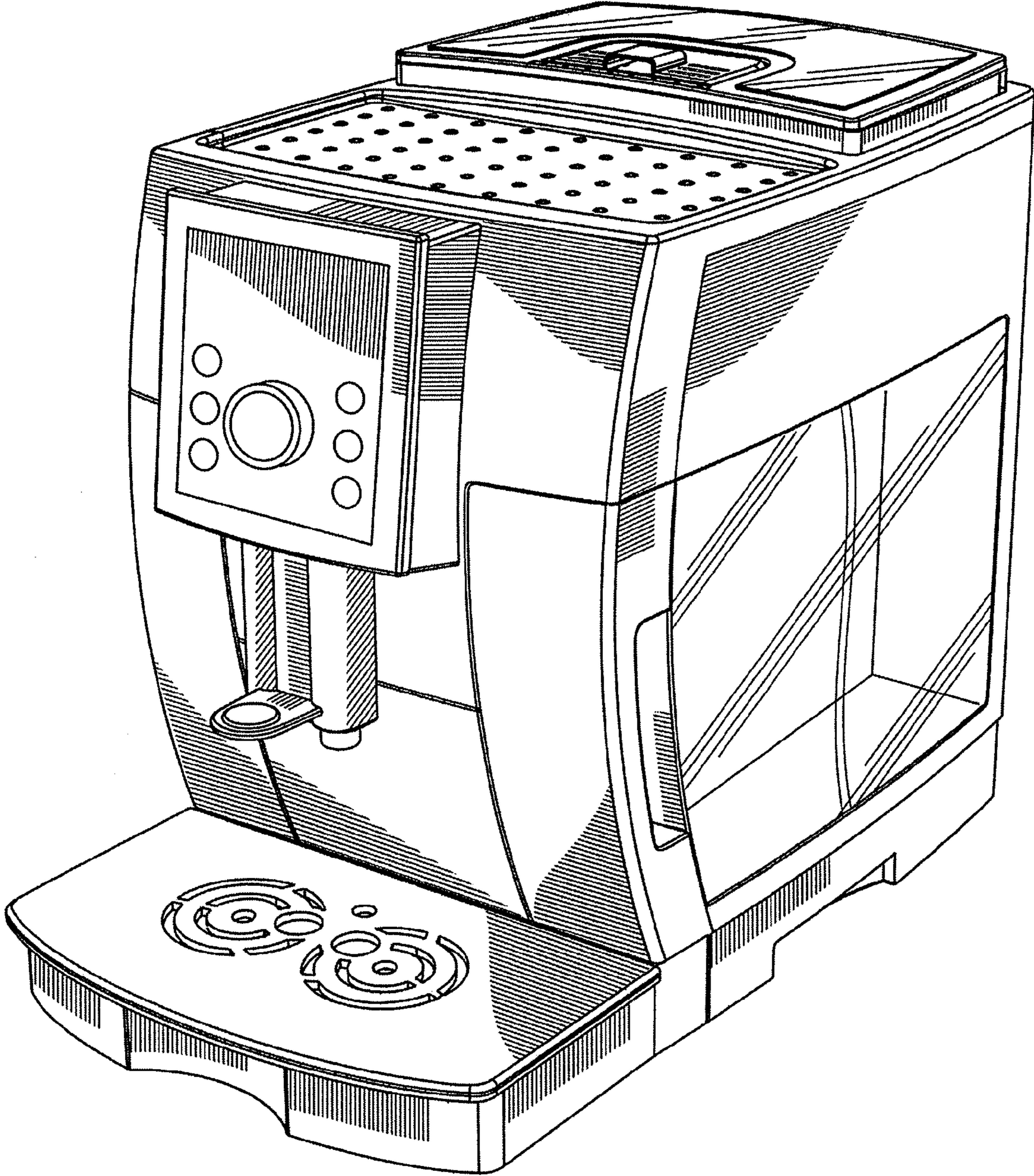


Fig. 1

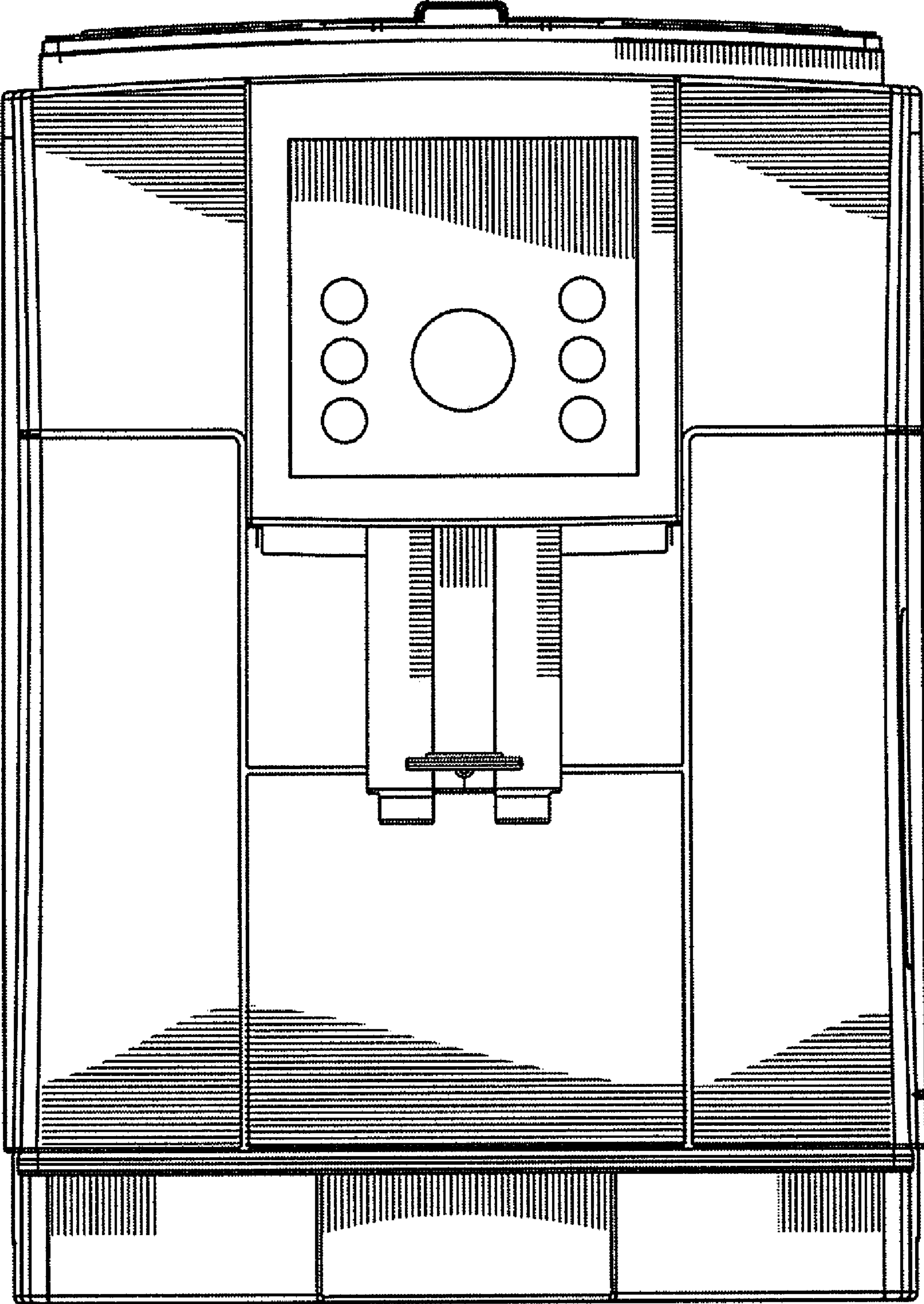


Fig. 2

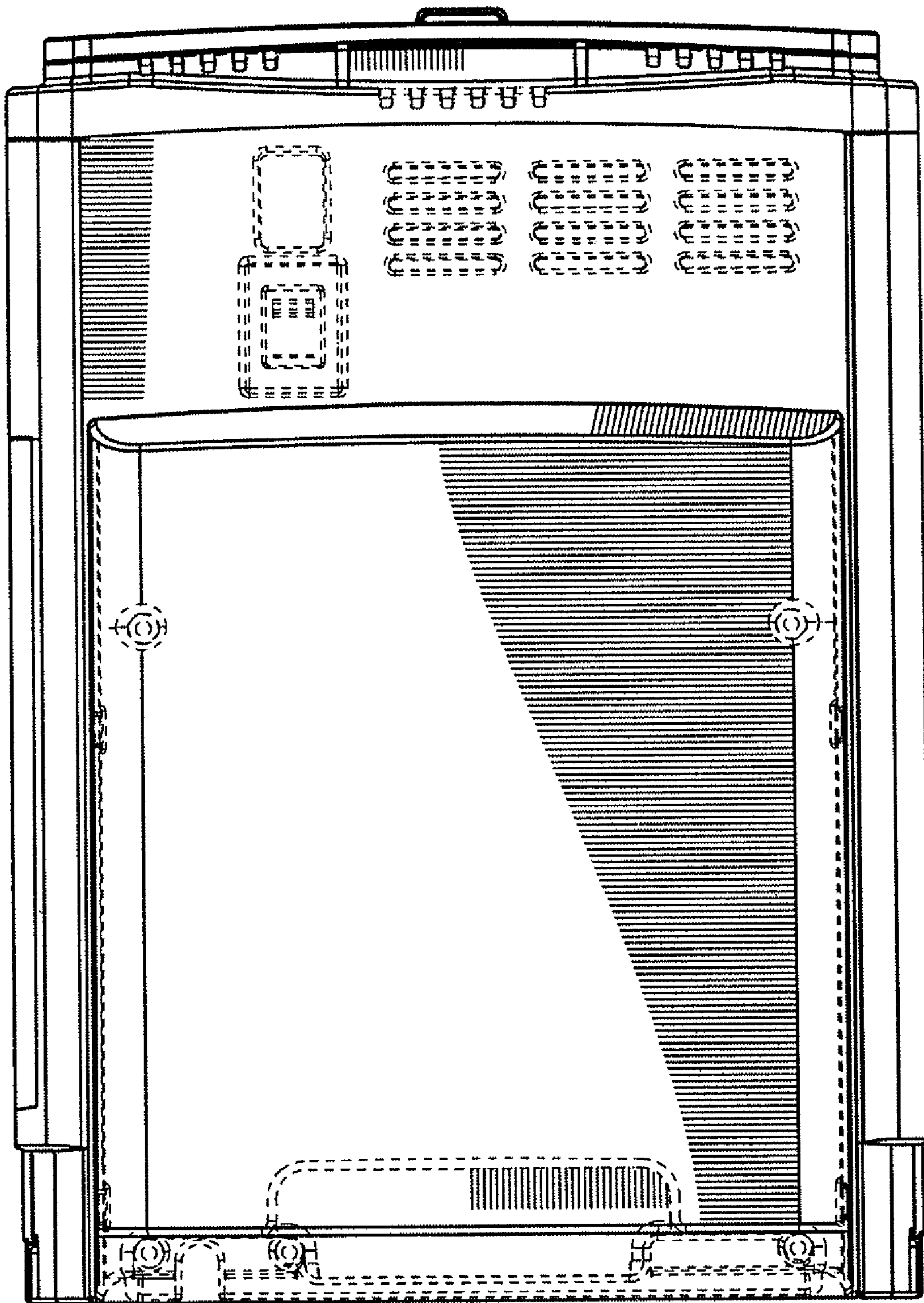


Fig. 3

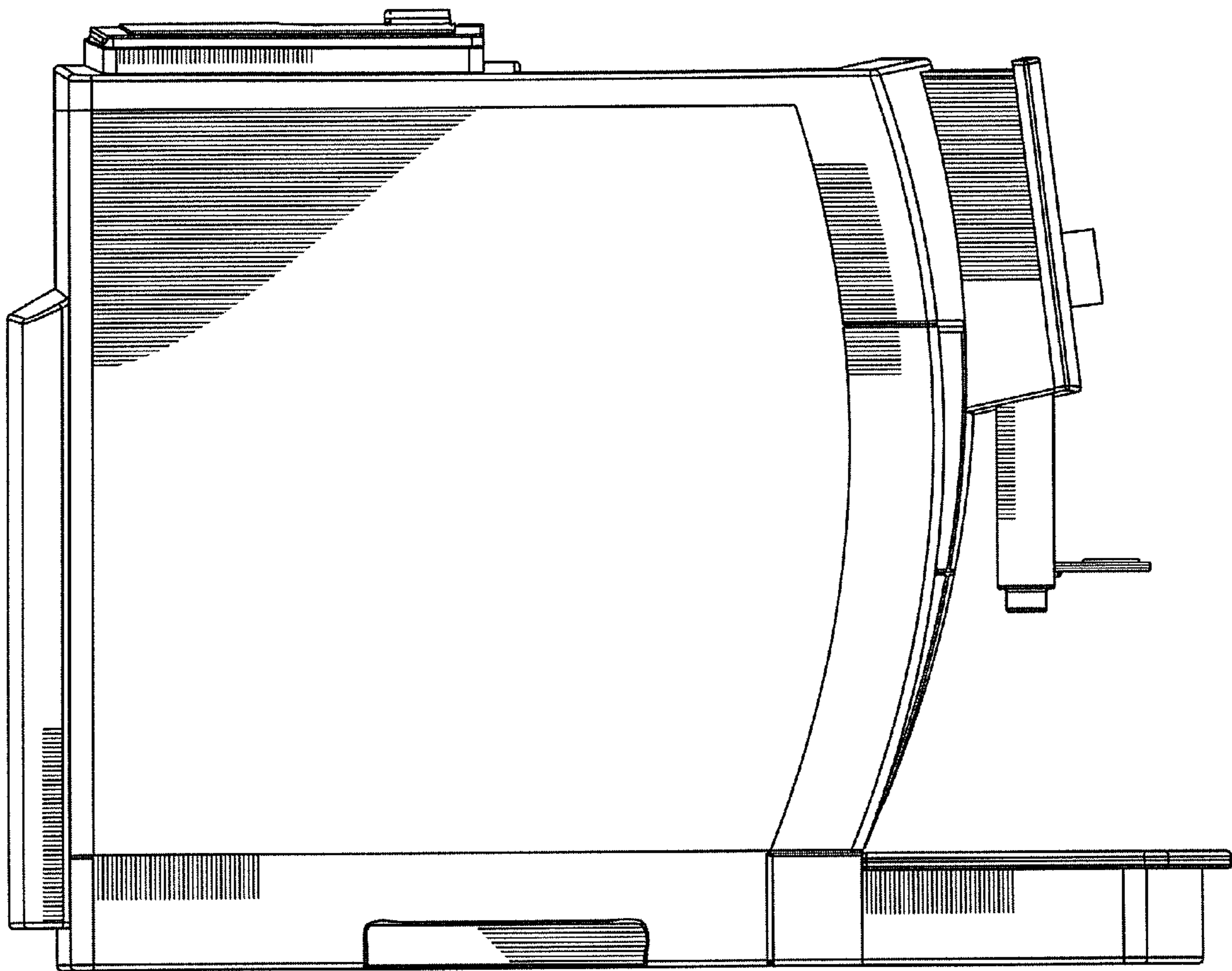


Fig. 4

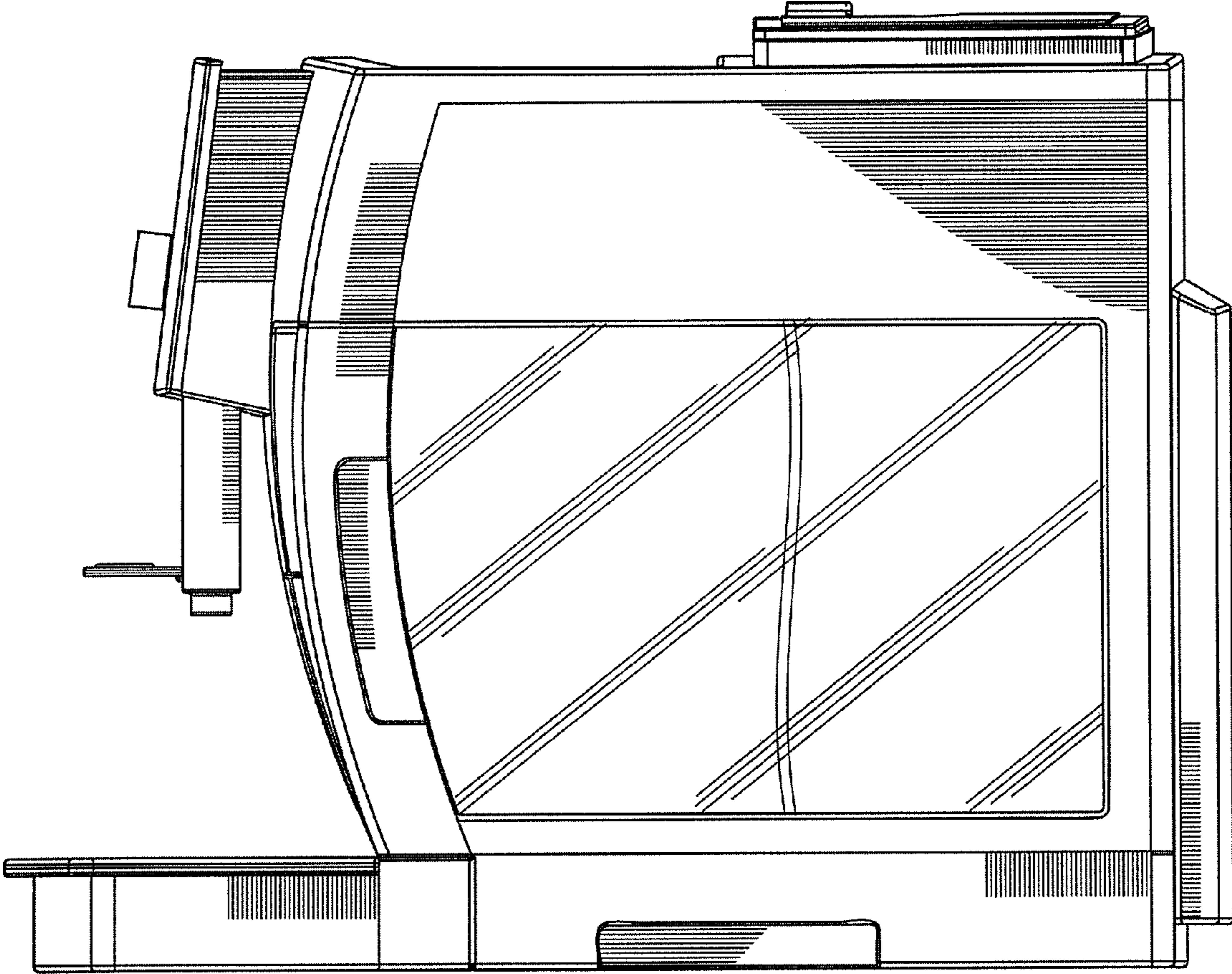


Fig. 5

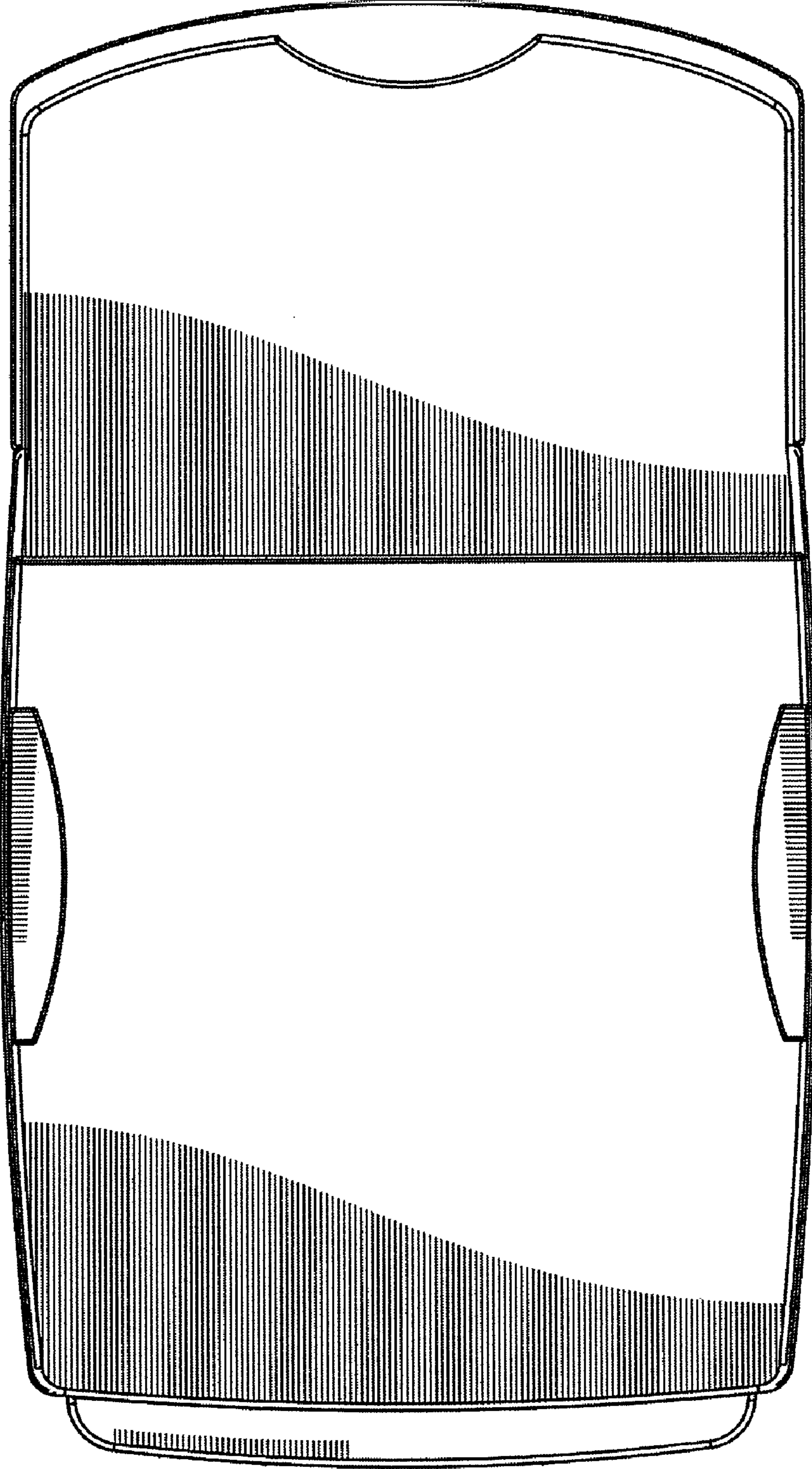


Fig. 6



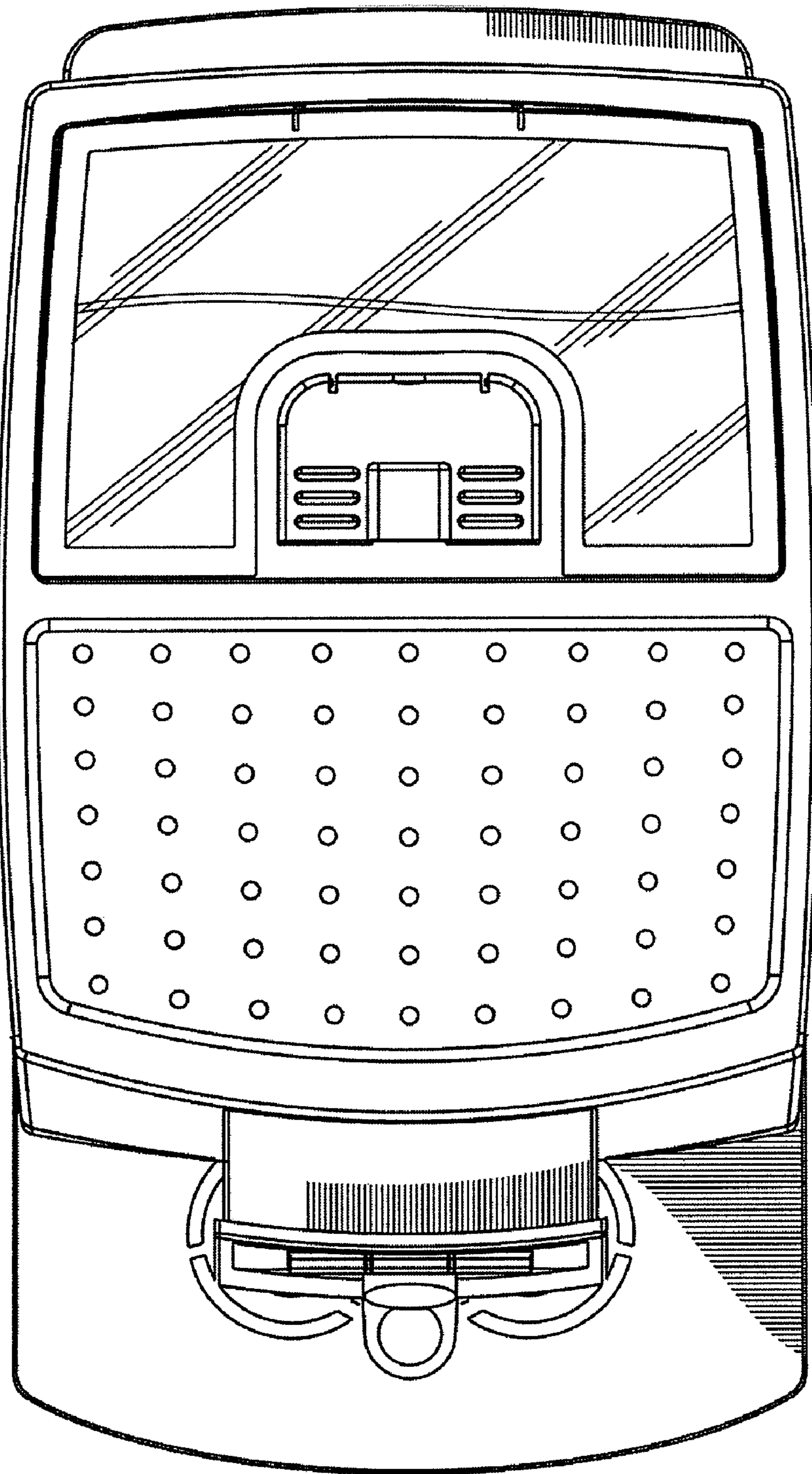


Fig. 7