



US00D610383S

(12) **United States Design Patent**  
**Liu**

(10) **Patent No.:** **US D610,383 S**

(45) **Date of Patent:** **\*\* Feb. 23, 2010**

(54) **BATHROOM ARTICLE SUPPORT**

(57) **CLAIM**

(76) Inventor: **George Liu**, 8F.-10, No. 77, Shihjherg  
N. 1st Rd., Situn District, Taichung City  
(TW)

The ornamental design for a bathroom article support, as shown and described.

(\*\*) Term: **14 Years**

**DESCRIPTION**

(21) Appl. No.: **29/323,804**

FIG. 1 is a top, front, and right side perspective view of a first embodiment of a bathroom article support showing my new design in use as a rolled paper support;

(22) Filed: **Aug. 30, 2008**

FIG. 2 is a front elevational view thereof;

(51) **LOC (9) Cl.** ..... **23-02**

FIG. 3 is a rear elevational view thereof;

(52) **U.S. Cl.** ..... **D6/524; D6/323; D6/522**

FIG. 4 is a left side elevational view thereof;

(58) **Field of Classification Search** ..... D6/518-524,

FIG. 5 is a right side elevational view thereof;

D6/546-550, 323; 108/28-29; 211/13.1,

FIG. 6 is a top plan view thereof;

211/16, 60.1, 86.01, 87.01, 88.01, 88.04,

FIG. 7 is a bottom plan view thereof;

211/100, 105.1, 105.2, 123, 181.1, 182; 248/175,

FIG. 8 is an additional top, front, and right side perspective view thereof, with the broken-line disclosure of rolled paper being for illustrative purposes only and forming no part of the claimed design;

248/176.1, 251, 302; 16/110.1, 415; 242/570,

242/590, 595-598; D8/300, 303, 315-321

See application file for complete search history.

FIG. 9 is a top, front, and right side perspective view of a second embodiment of a bathroom article support showing my new design in use as a towel support, with the broken-line disclosure of a towel fragment being for illustrative purposes only and forming no part of the claimed design;

(56) **References Cited**

**U.S. PATENT DOCUMENTS**

3,370,805	A *	2/1968	Barbee	.....	242/597.7
D267,062	S *	11/1982	Lentz	.....	D6/521
D277,622	S *	2/1985	Servadio	.....	D6/521
D298,290	S *	11/1988	Wilkerson	.....	D6/521
D368,401	S *	4/1996	Dixon	.....	D6/522
D398,466	S *	9/1998	Odom	.....	D6/521
D407,567	S *	4/1999	Barnett et al.	.....	D6/323
D450,962	S *	11/2001	Hundley	.....	D6/521
D486,680	S *	2/2004	AlJizawi	.....	D6/522
D486,681	S *	2/2004	Hoernig	.....	D6/523
D551,478	S *	9/2007	Dretzka	.....	D6/522
D573,824	S *	7/2008	Rubin	.....	D6/524
D578,813	S *	10/2008	Goodman et al.	.....	D6/522

FIG. 10 is a top, front, and right side perspective view of a third embodiment of a bathroom article support showing my new design paired and in use as a rolled paper support, with the broken-line disclosure of rolled paper being for illustrative purposes only and forming no part of the claimed design;

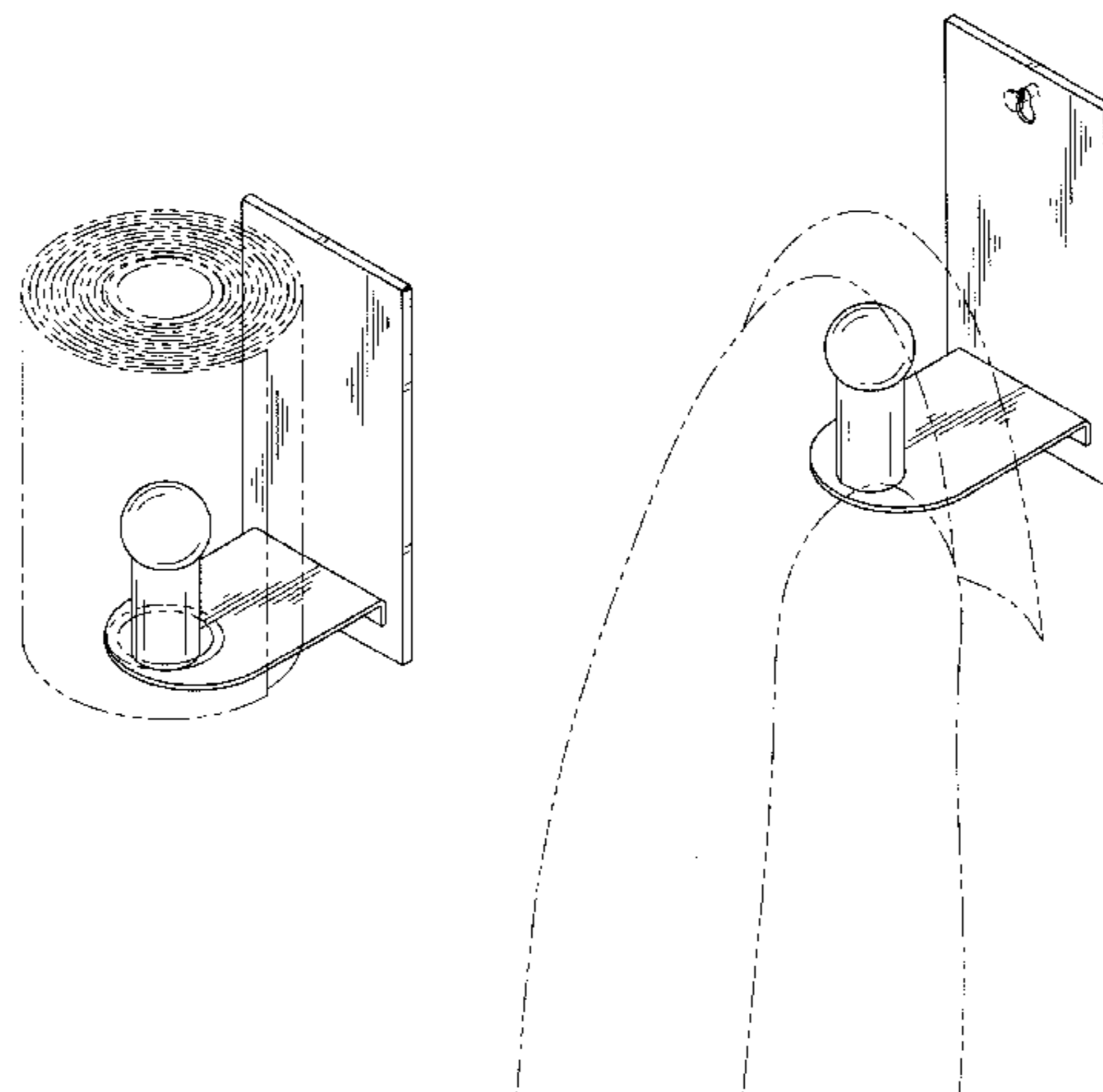
FIG. 11 is a top, front, and right side perspective view thereof, but disposed differently, with the broken-line disclosure of rolled paper being for illustrative purposes only and forming no part of the claimed design; and,

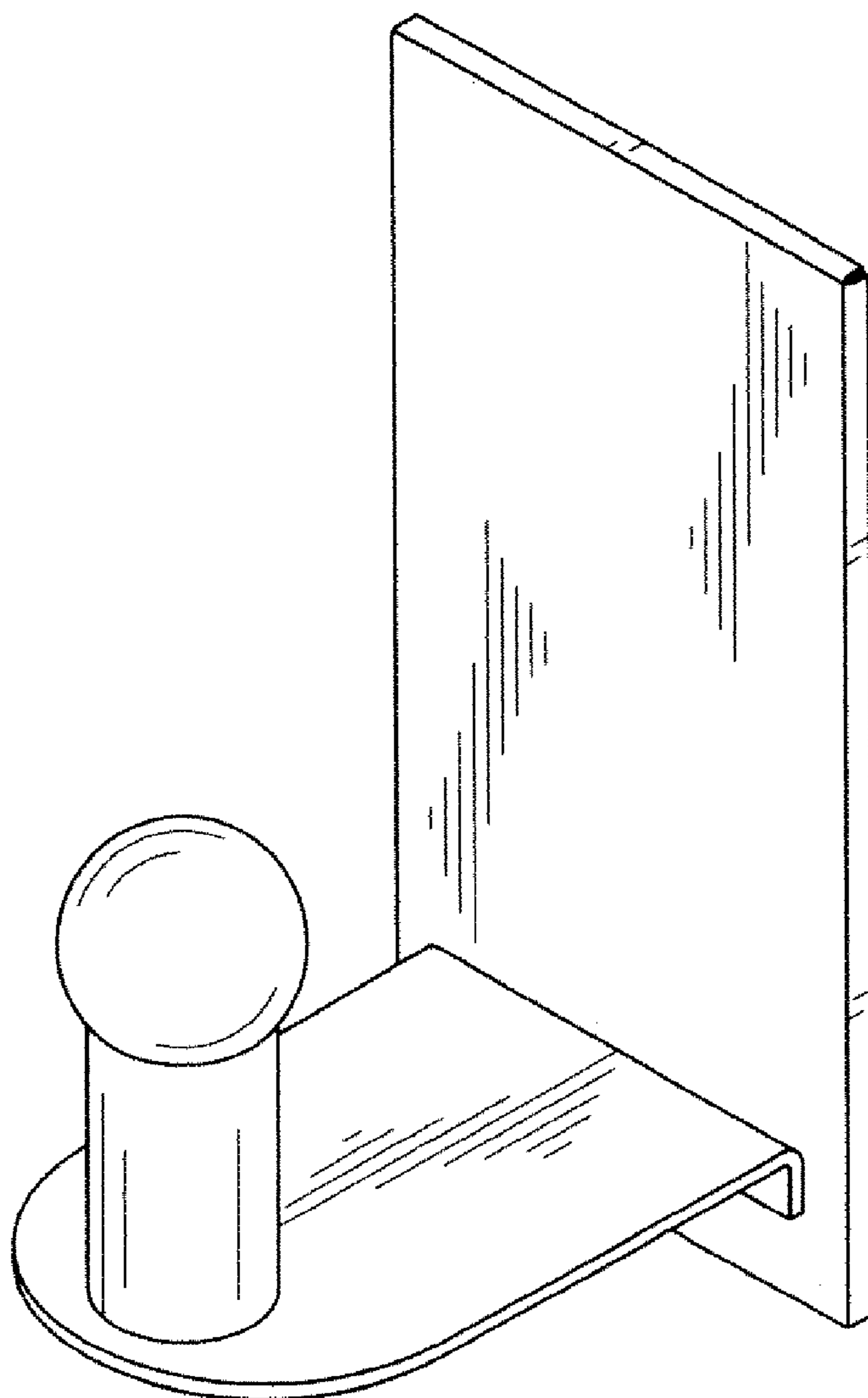
FIG. 12 is a top, front, and right side perspective view of a fourth embodiment of a bathroom article support showing my new design paired and in use as a rolled paper support; with the broken-line disclosure of rolled paper being for illustrative purposes only and forming no part of the claimed design.

\* cited by examiner

Primary Examiner—Brian N Vinson  
(74) Attorney, Agent, or Firm—Senniger Powers LLP

**1 Claim, 9 Drawing Sheets**





**FIG. 1**

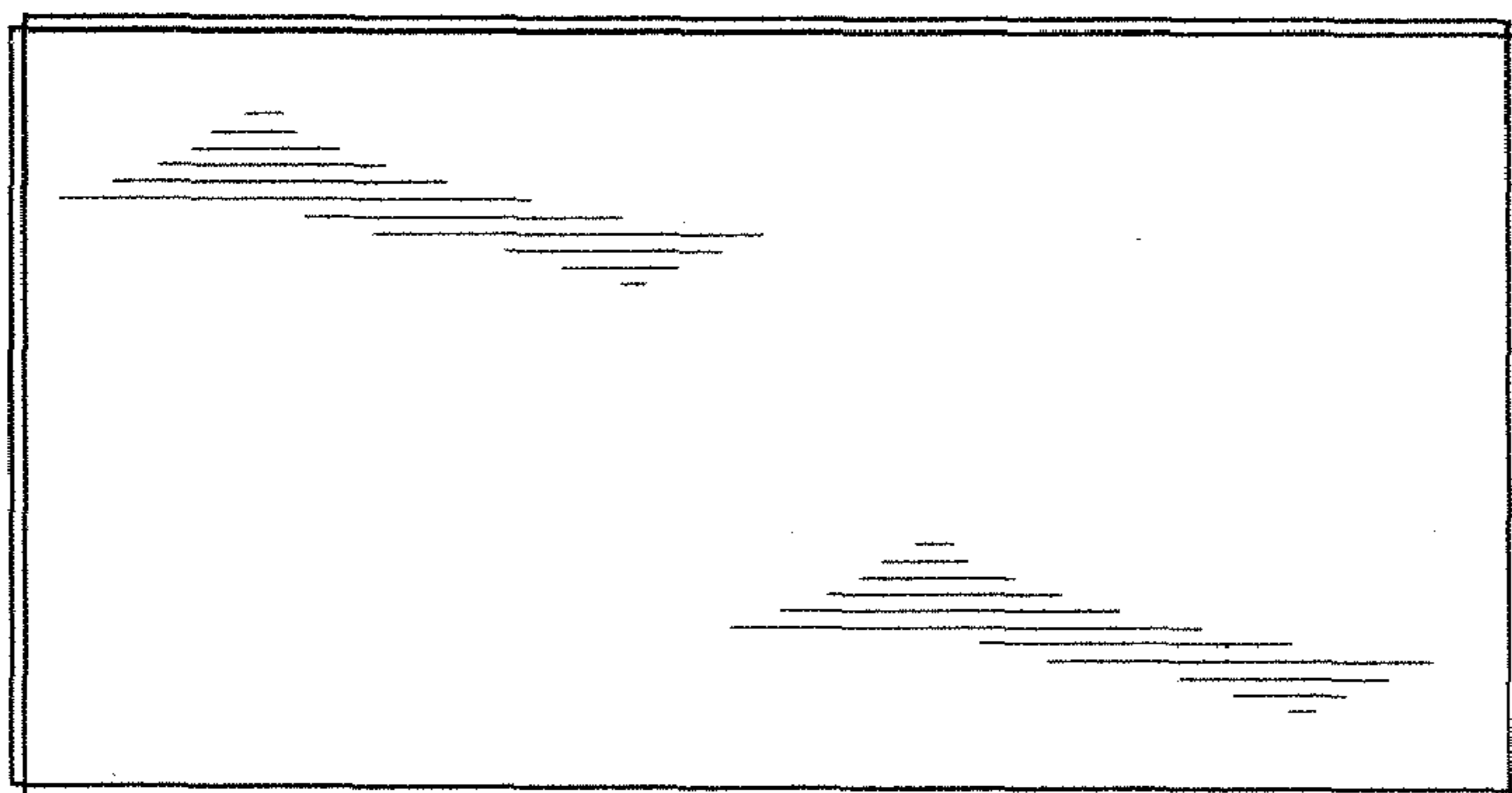


FIG. 3

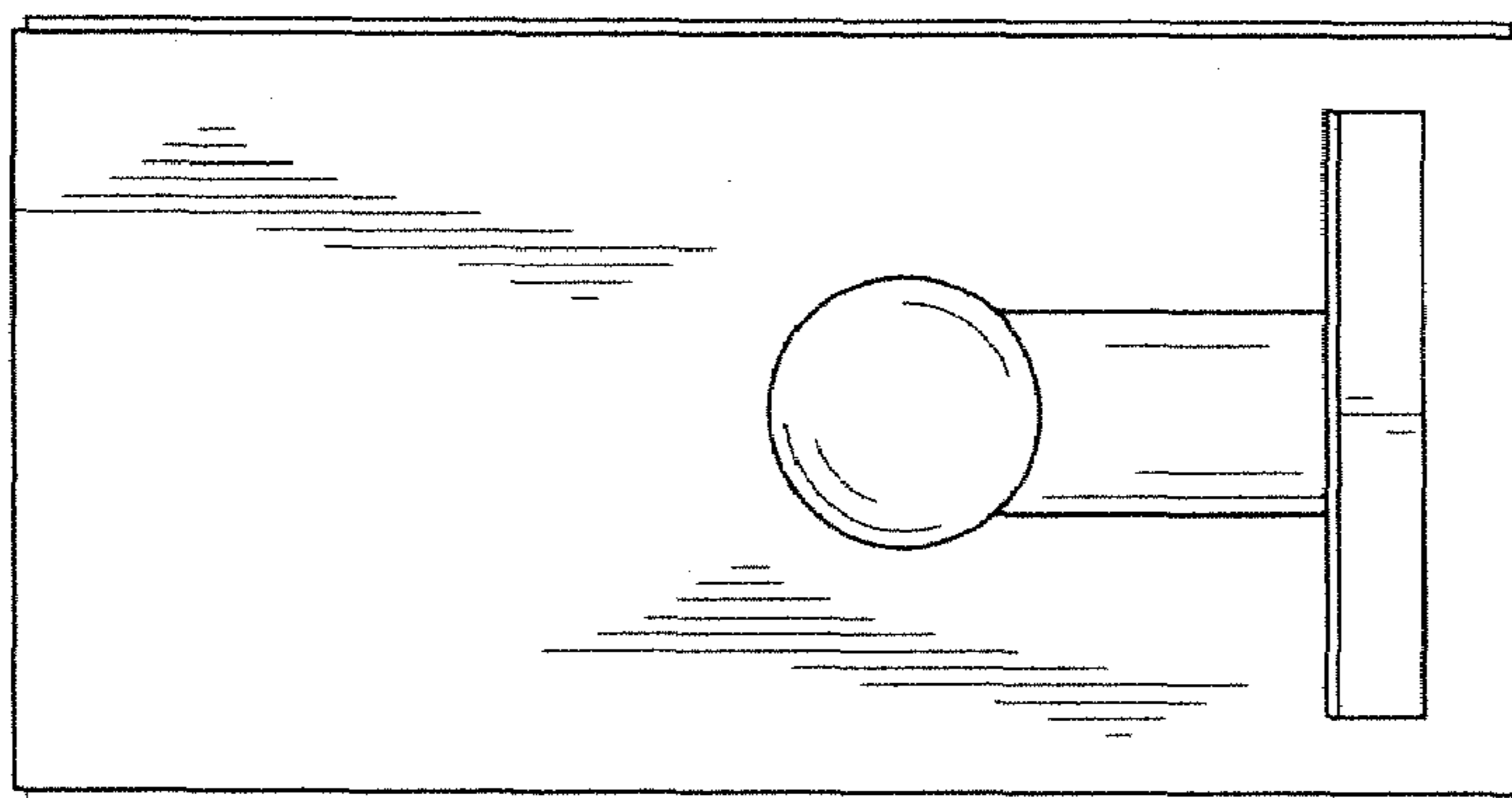


FIG. 2

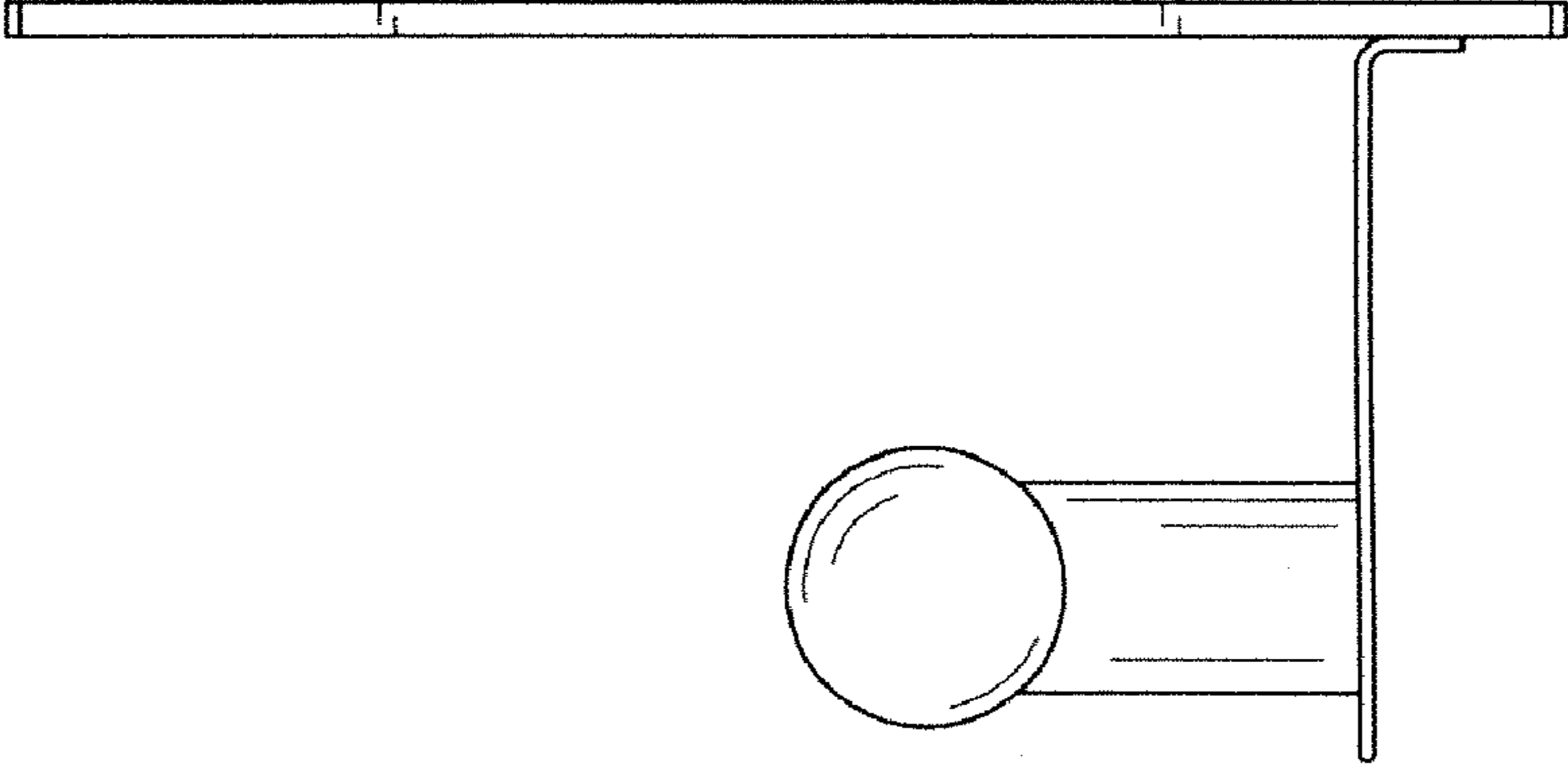


FIG. 5

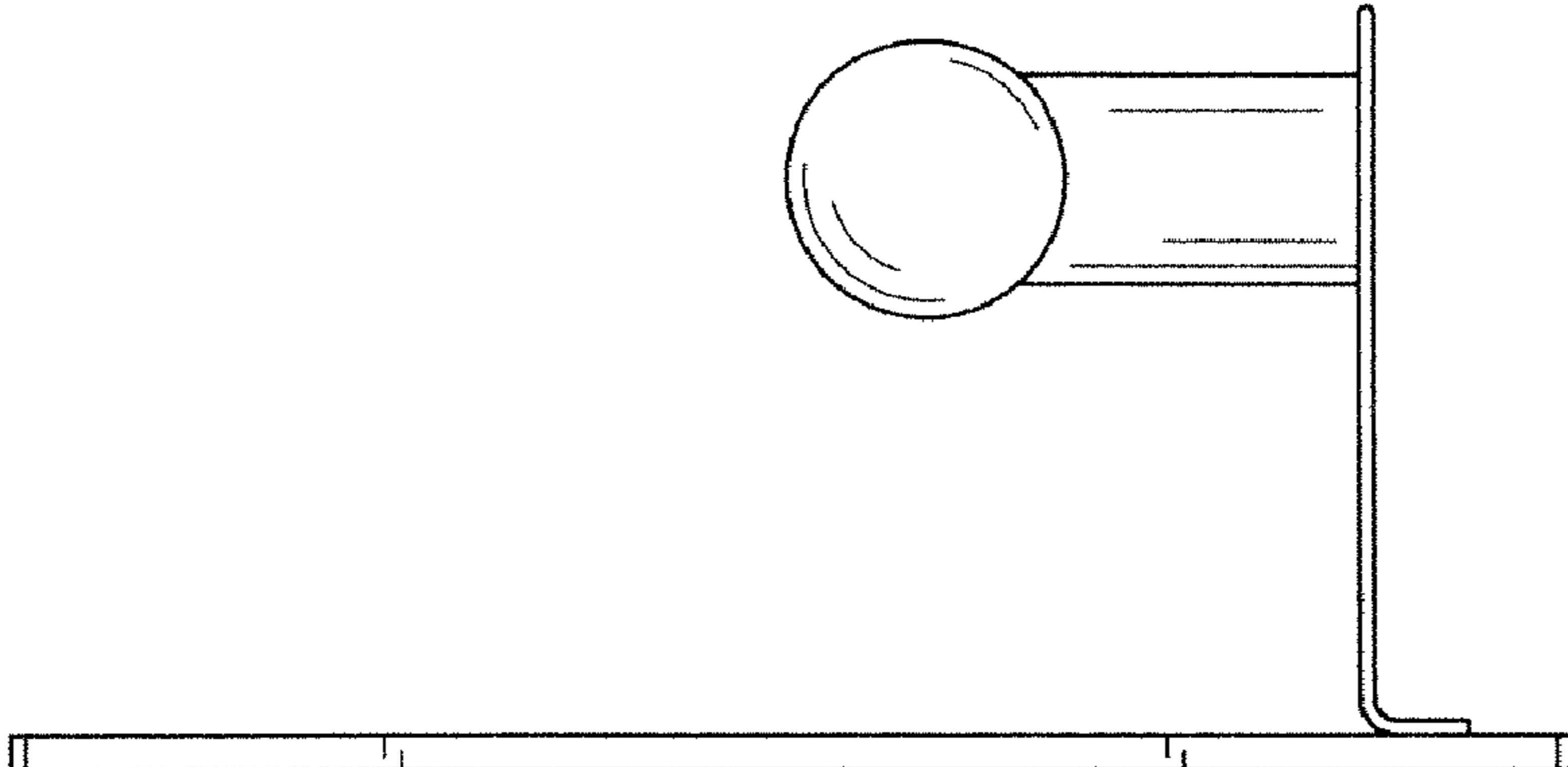


FIG. 4

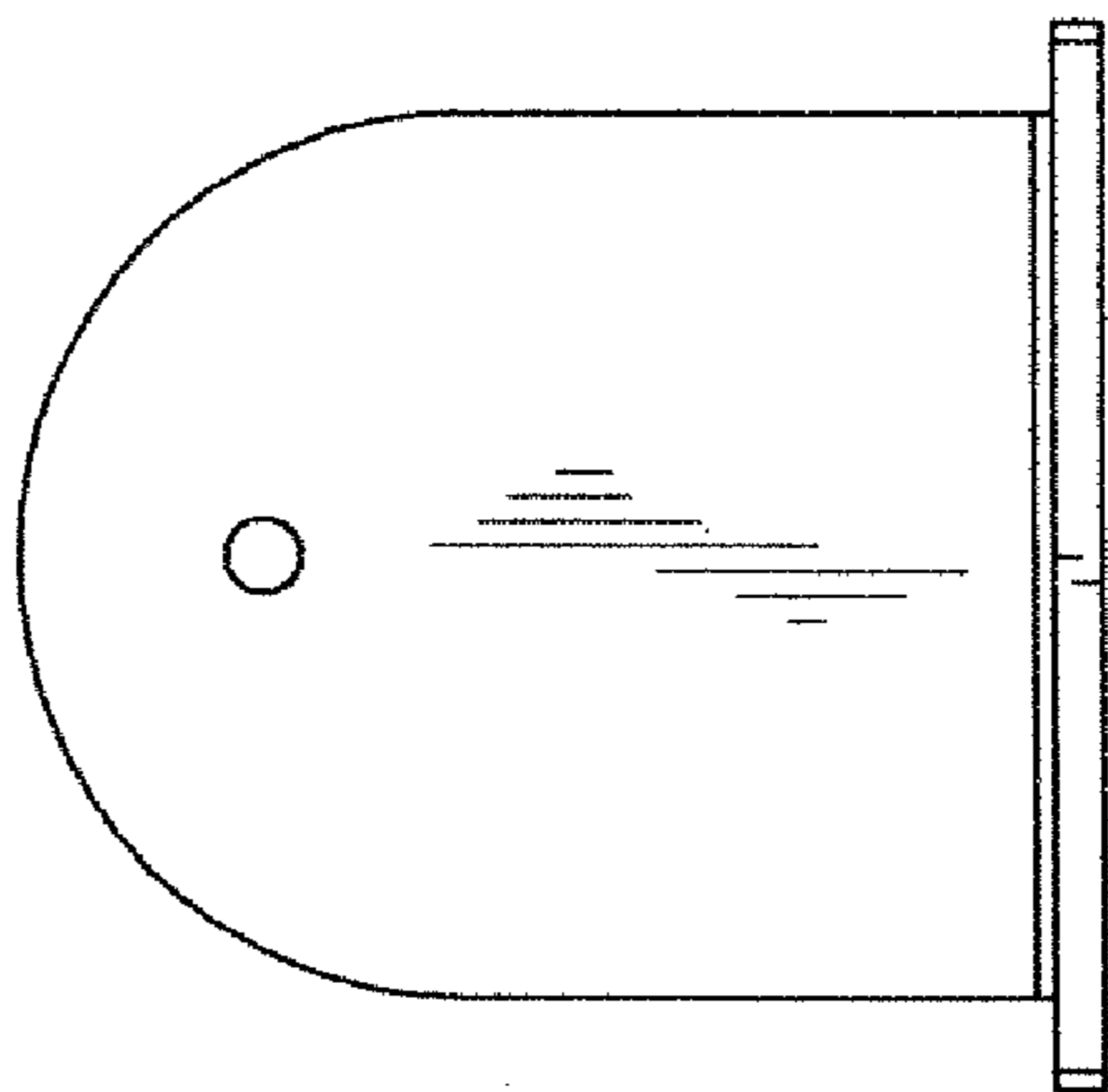


FIG. 7

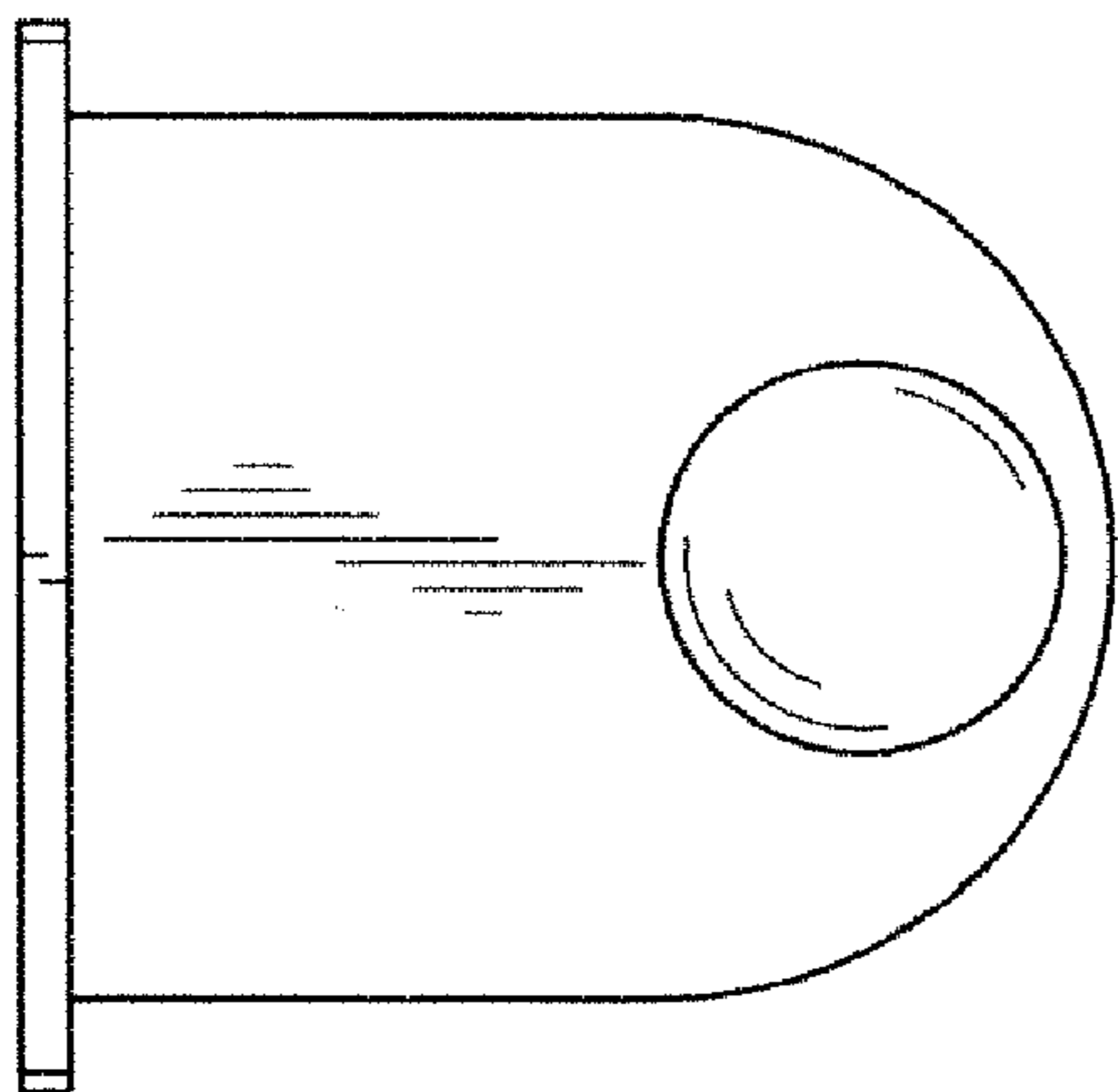


FIG. 6

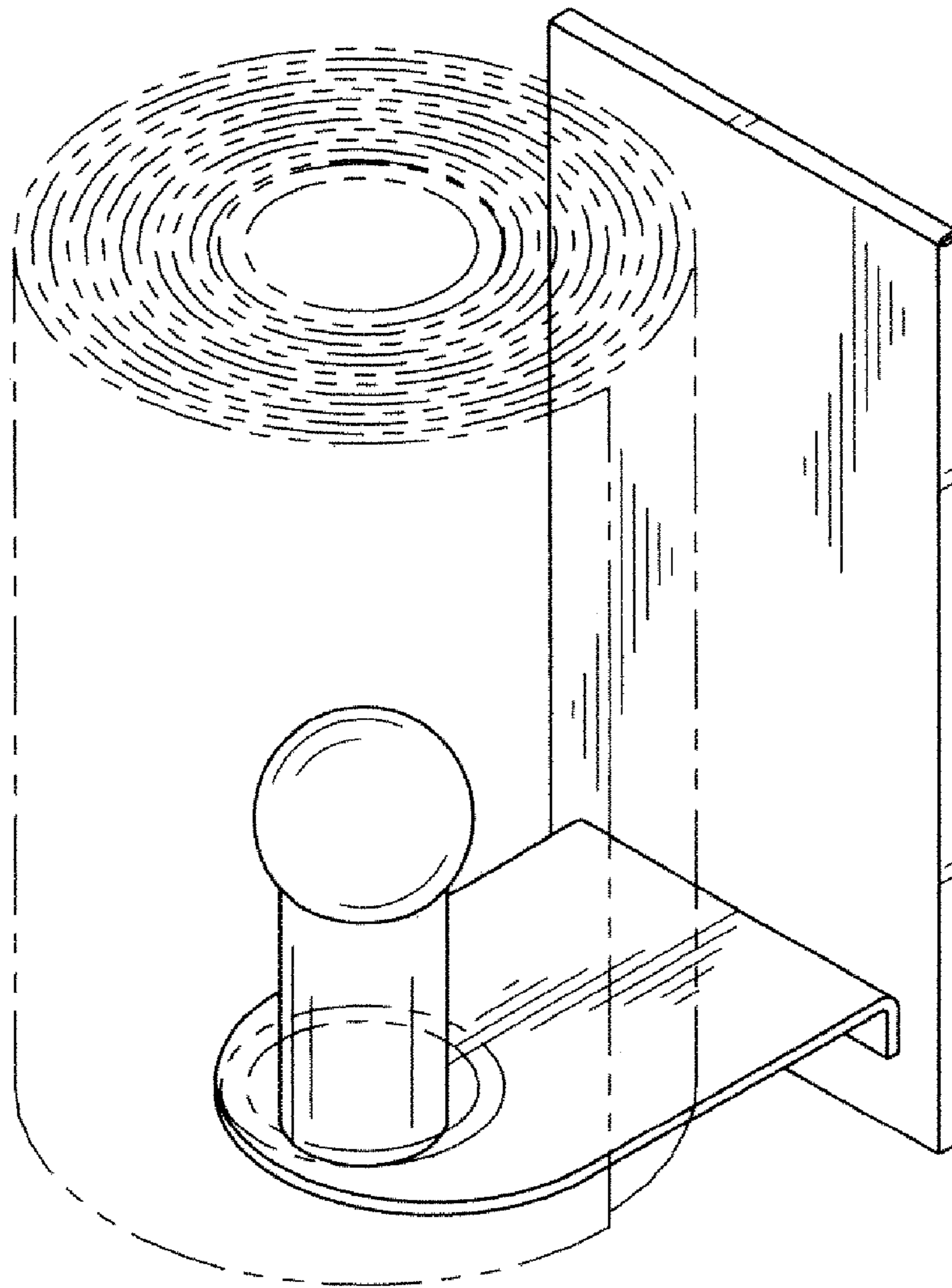


FIG. 8



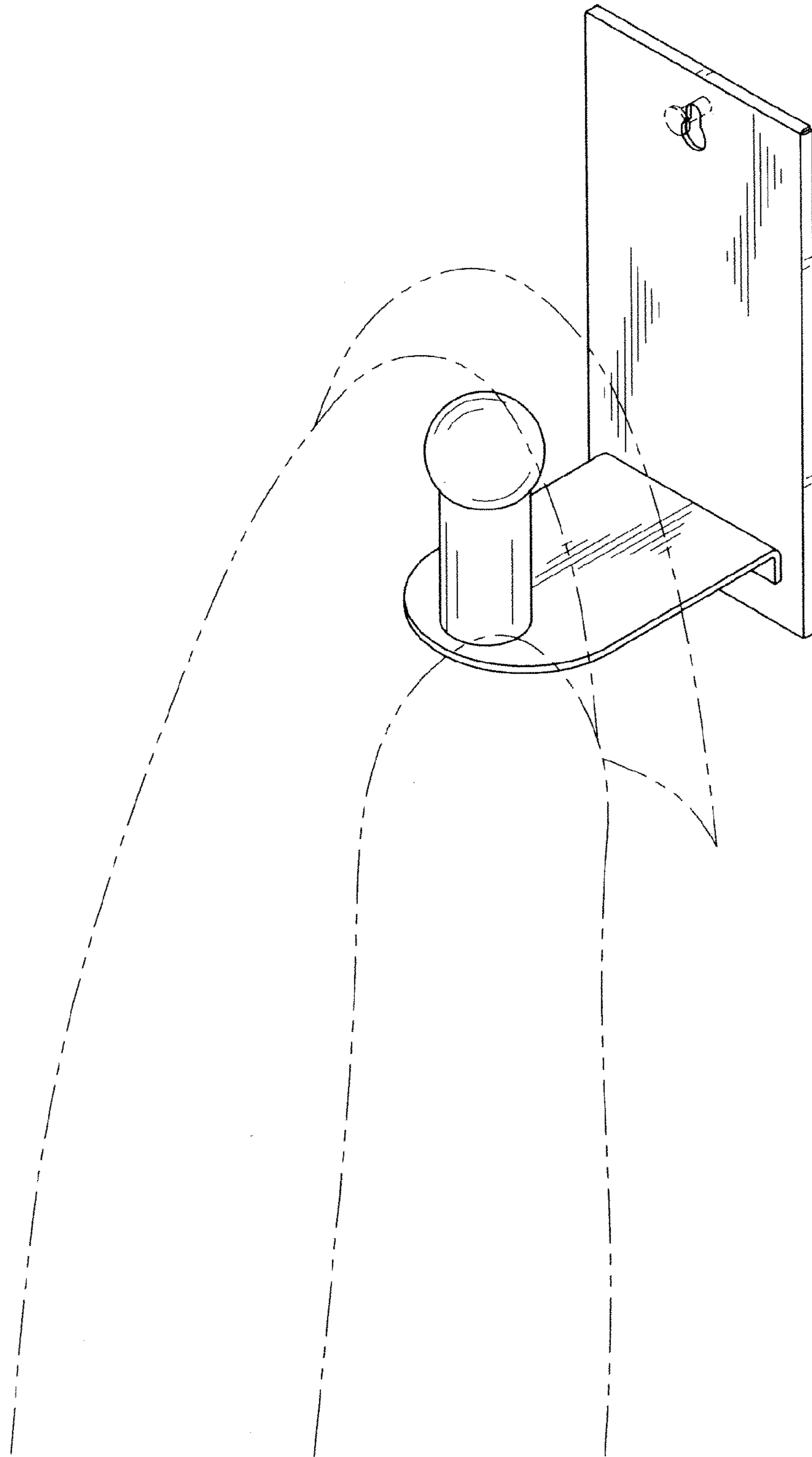


FIG. 9

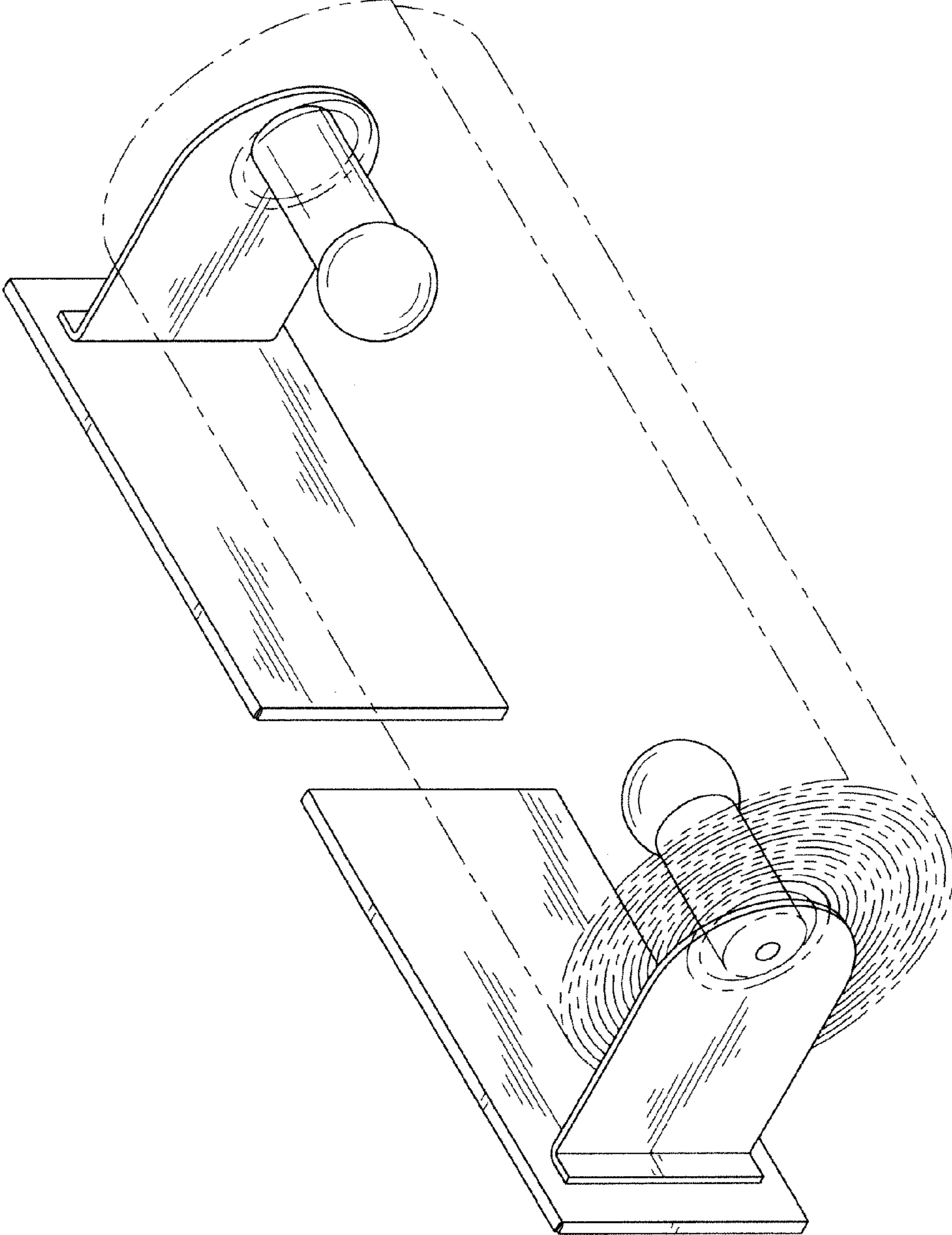


FIG. 10



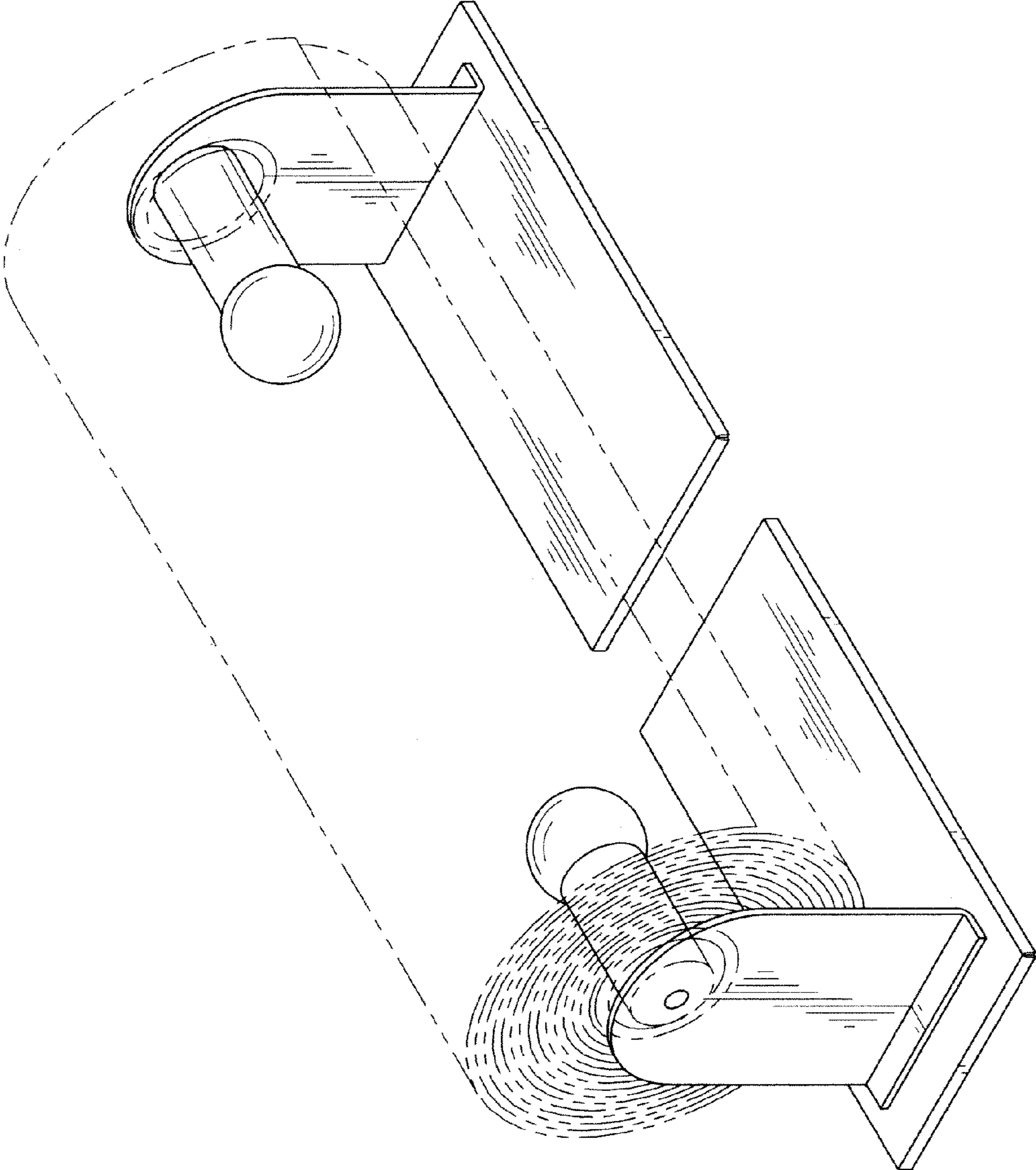


FIG. 11

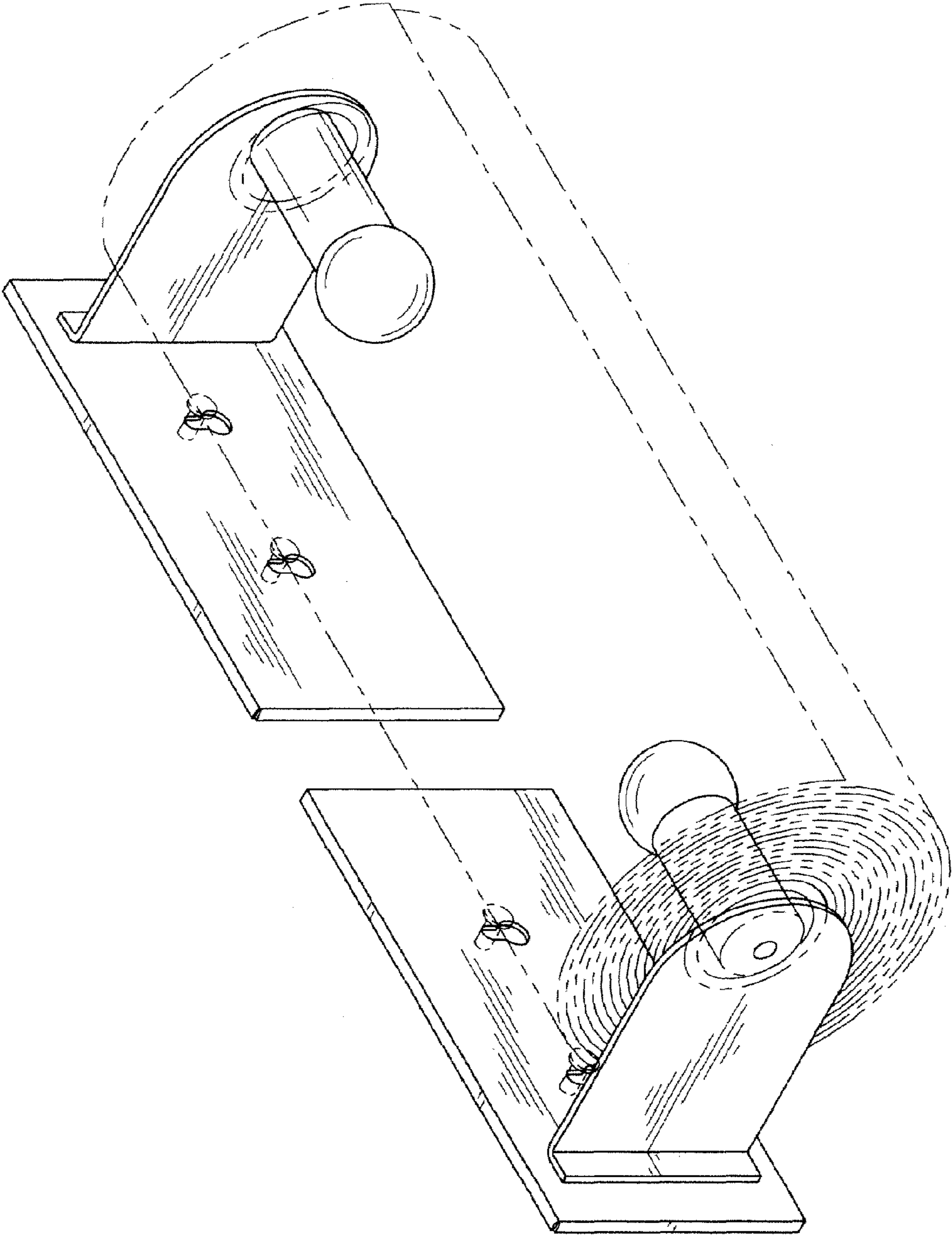


FIG. 12