



US00D610382S

(12) **United States Design Patent**
Yang et al.

(10) **Patent No.:** **US D610,382 S**
(45) **Date of Patent:** **** Feb. 23, 2010**

(54) **BAMBOO PAPER TOWEL HOLDER**

D555,954 S * 11/2007 Yang et al. D6/521
D563,130 S * 3/2008 Griffith D6/521
D577,527 S * 9/2008 Yu D6/521

(75) Inventors: **Frank Yang**, Rancho Palos Verdes, CA (US); **Tzu-Hao Wei**, Hacienda Heights, CA (US); **Po-Ling Huang**, Brussels (BE)

* cited by examiner

Primary Examiner—Brian N Vinson
(74) *Attorney, Agent, or Firm*—Liu & Liu

(73) Assignee: **Simplehuman LLC**, Torrance, CA (US)

(**) Term: **14 Years**

(57) **CLAIM**

(21) Appl. No.: **29/339,152**

The ornamental design for the bamboo paper towel holder, as shown in the accompanying drawings.

(22) Filed: **Jun. 24, 2009**

DESCRIPTION

(51) **LOC (9) Cl.** **20-02**

(52) **U.S. Cl.** **D6/521**

(58) **Field of Classification Search** D6/518–523;
206/389, 391; 211/13.1, 59.1, 45, 890.1;
242/570, 590, 597.7; 248/309.1, 309.2
See application file for complete search history.

FIG. 1 is a right perspective view of a bamboo paper towel holder showing our new design;
FIG. 2 is a front view thereof;
FIG. 3 is a rear view thereof;
FIG. 4 is a left side view thereof, the side opposite being a mirror image thereof;
FIG. 5 is a top plan view thereof; and,
FIG. 6 is a bottom plan view thereof.
FIG. 7 illustrates an alternate embodiment, showing a contrast in materials using different shadings for different areas of the bamboo paper towel holder illustrated in FIGS. 1 to 6.

(56) **References Cited**

U.S. PATENT DOCUMENTS

6,302,348 B1 * 10/2001 Lillelund et al. 242/597.7
D479,072 S * 9/2003 Duncan et al. D6/522
D520,278 S * 5/2006 Mariano et al. D6/521
D522,292 S * 6/2006 Goodman et al. D6/521
D545,599 S * 7/2007 Yu D6/521
D548,504 S * 8/2007 Yang et al. D6/521

1 Claim, 7 Drawing Sheets

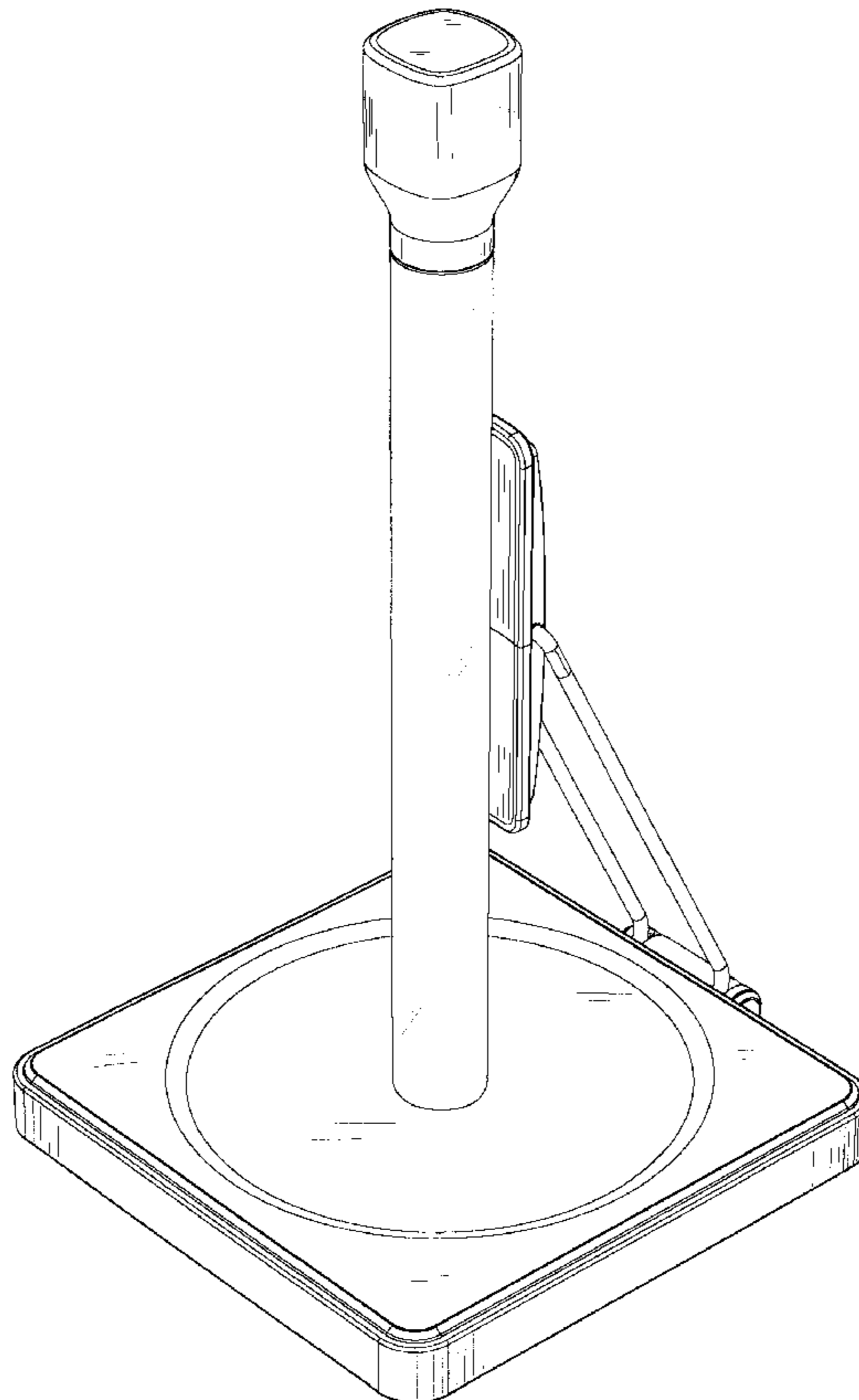


FIG. 1

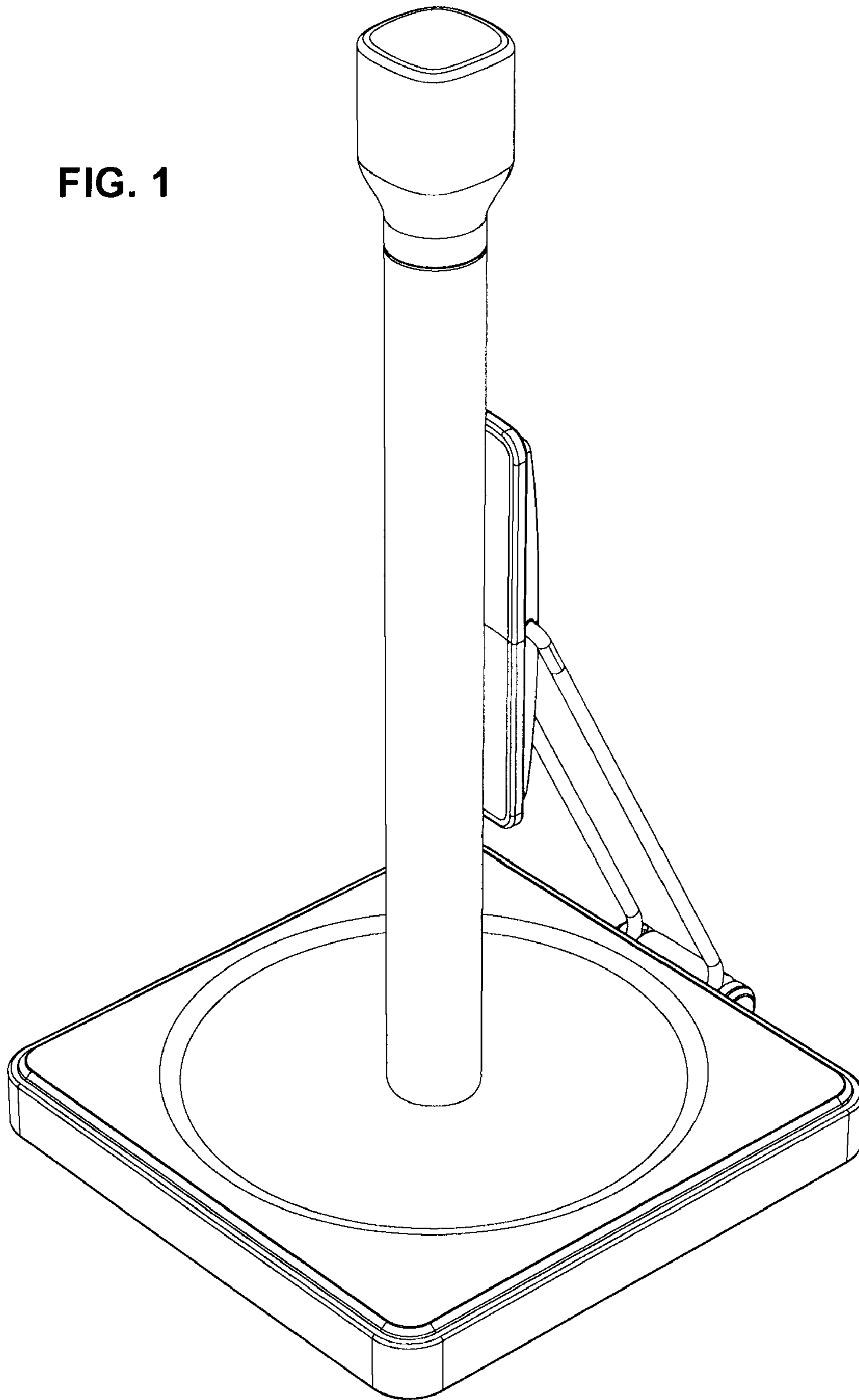


FIG. 2

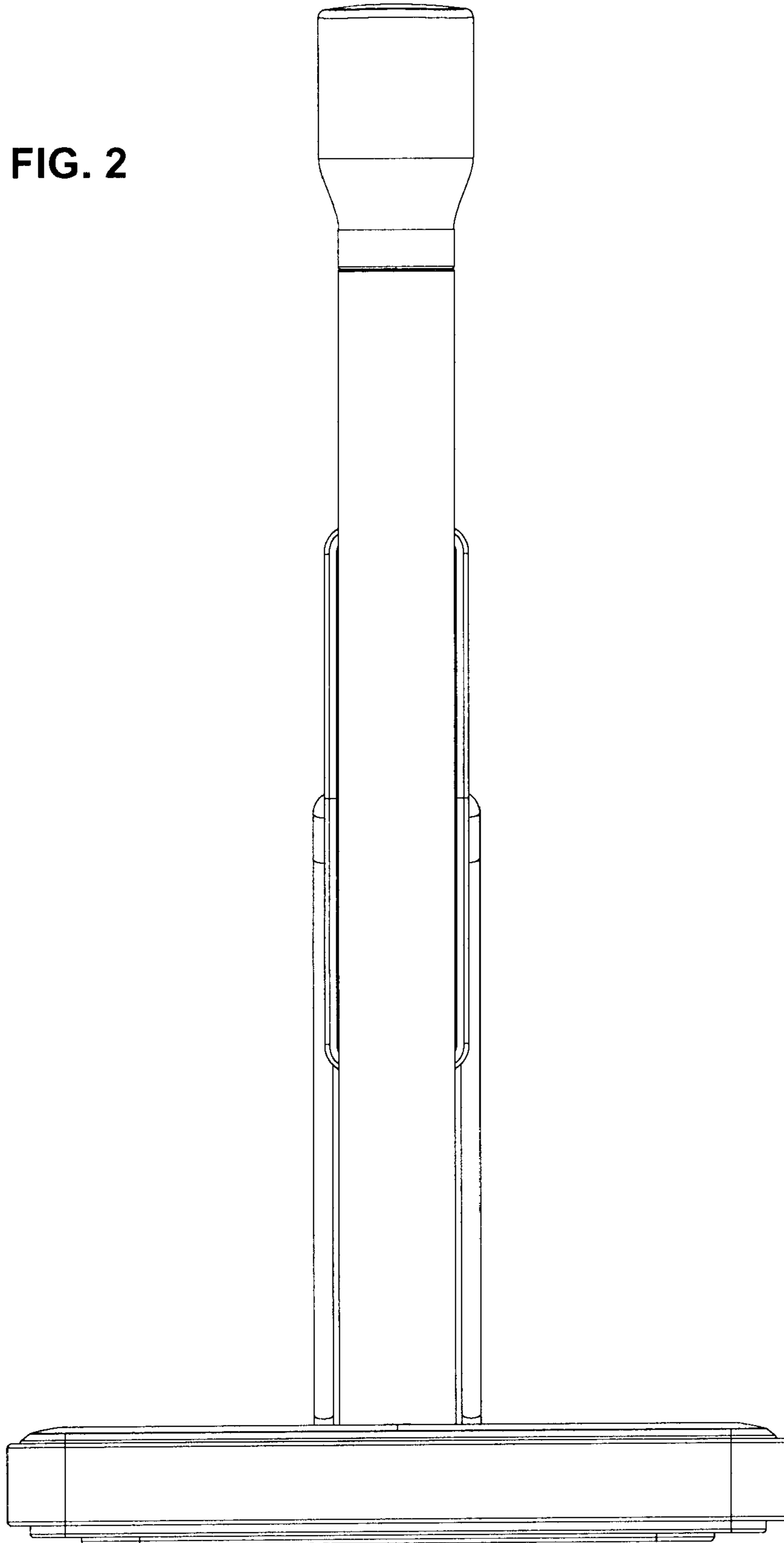


FIG. 3

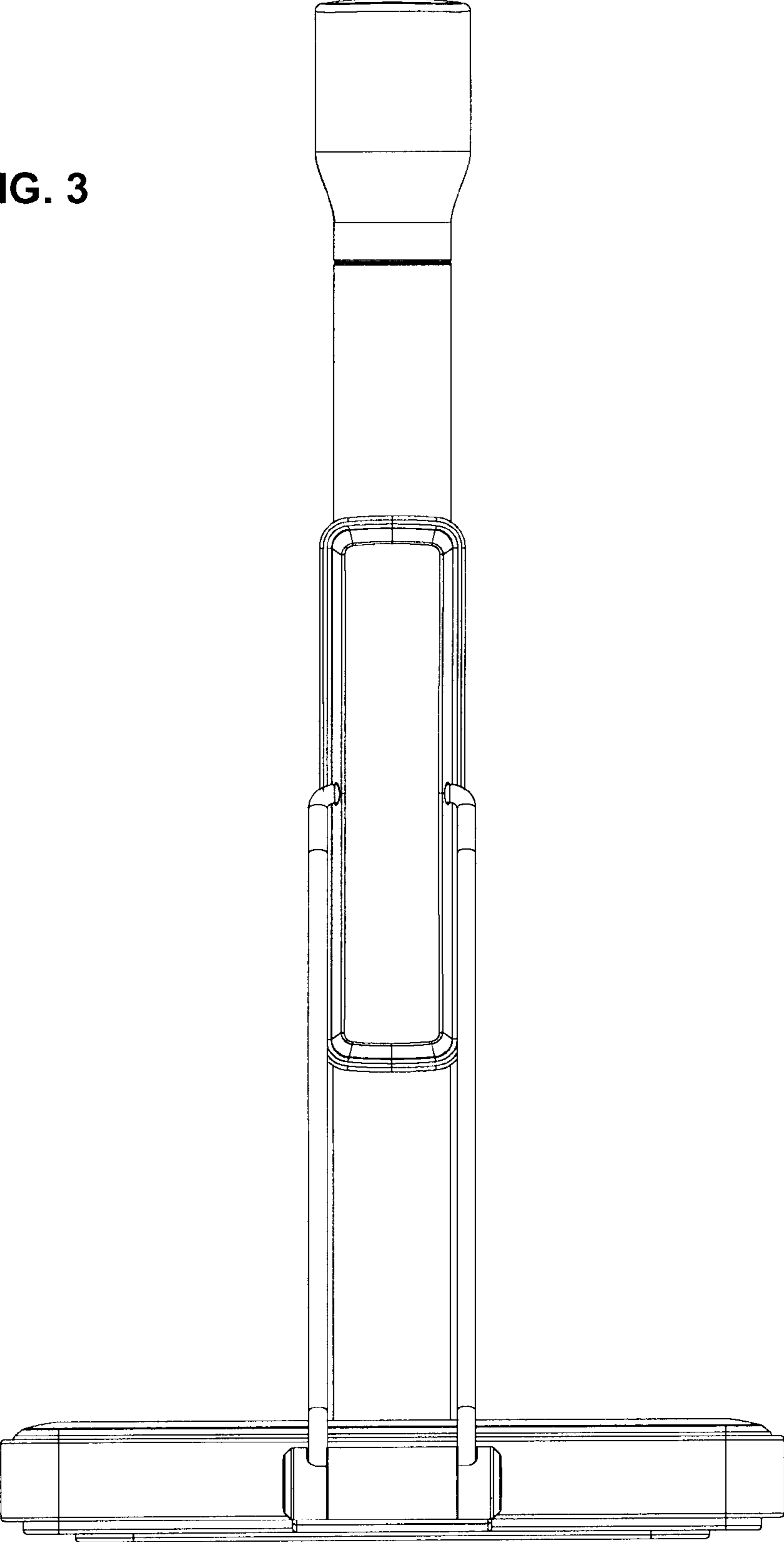


FIG. 4

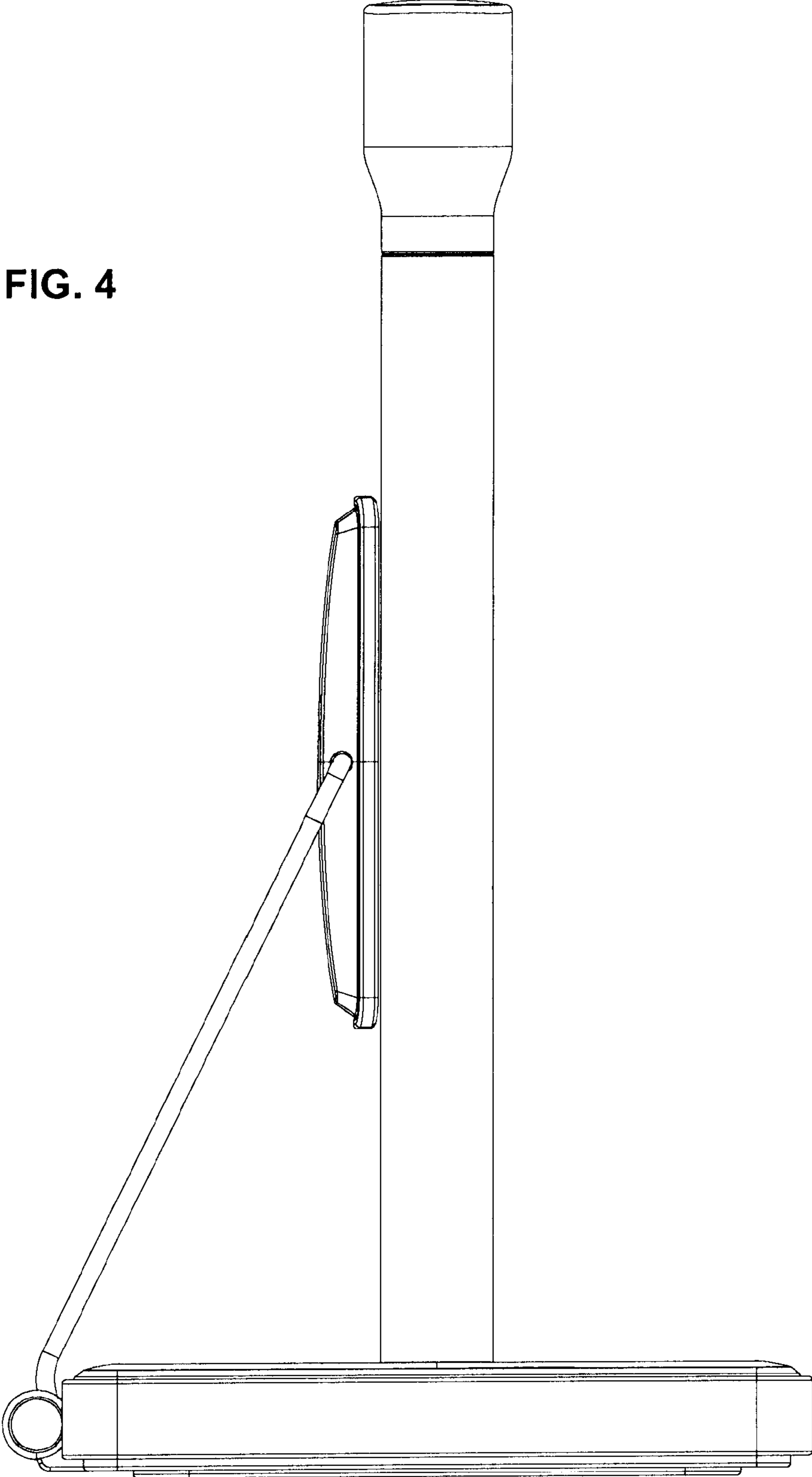


FIG. 5

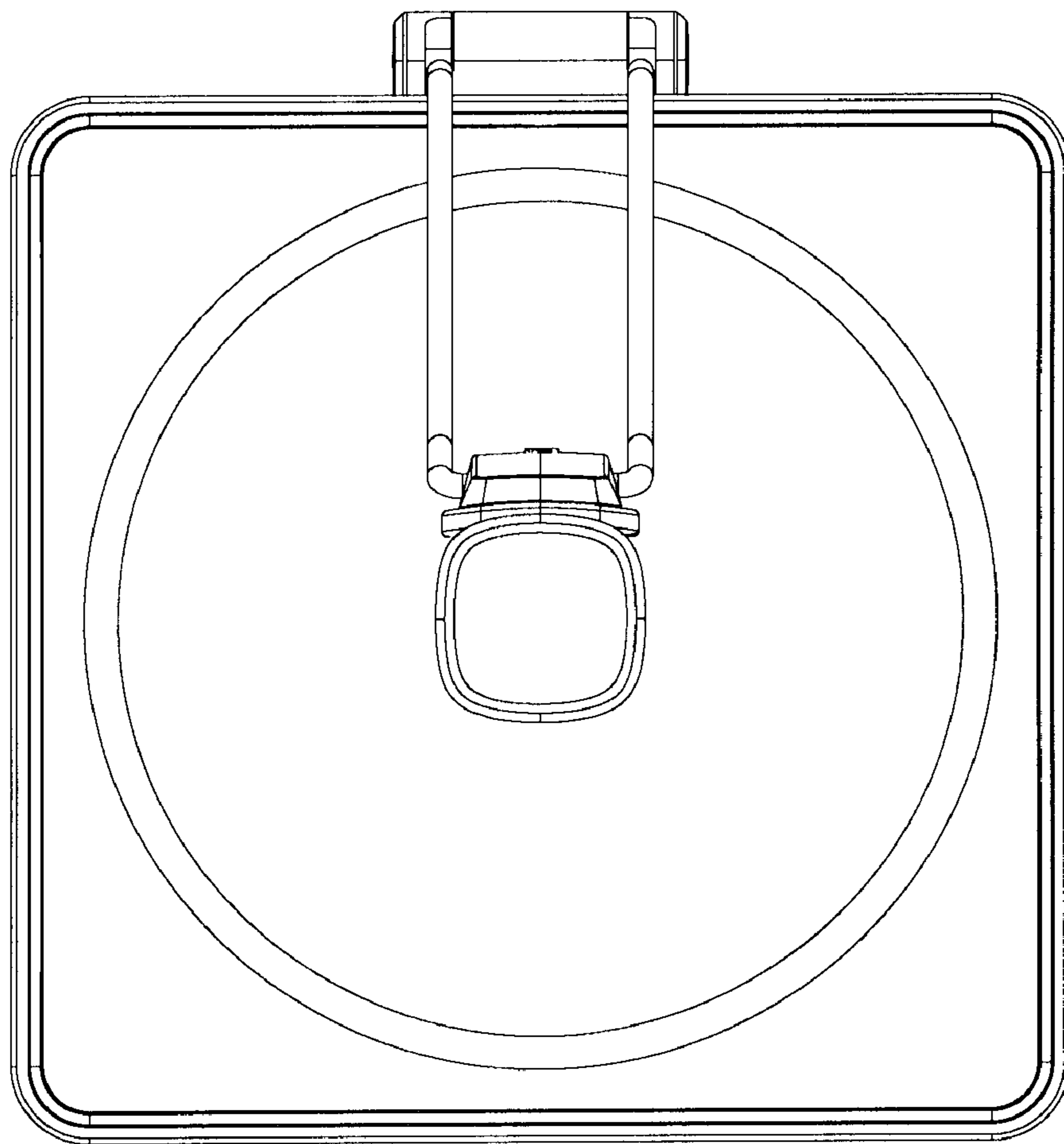


FIG. 6

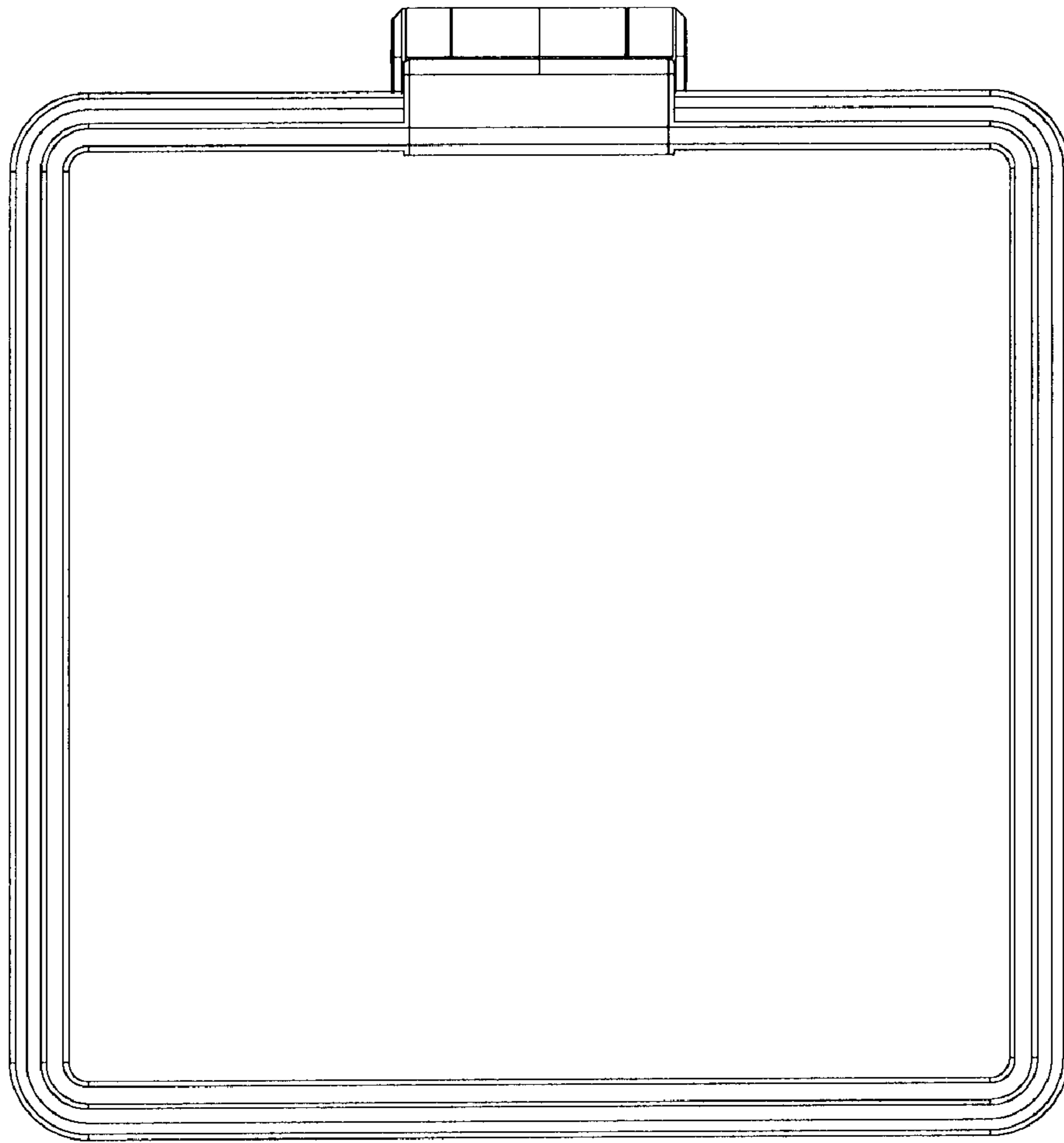


FIG. 7

