



US00D610381S

(12) **United States Design Patent**  
**Stifal**

(10) **Patent No.:** **US D610,381 S**  
(45) **Date of Patent:** **\*\* Feb. 23, 2010**

(54) **COVER**

(75) Inventor: **Matthew William Stifal**, Portage, IN  
(US)

(73) Assignee: **Peerless Industries, Inc.**, Melrose Park,  
IL (US)

(\*\*) Term: **14 Years**

(21) Appl. No.: **29/344,808**

(22) Filed: **Oct. 5, 2009**

(51) **LOC (9) Cl.** ..... **06-06**

(52) **U.S. Cl.** ..... **D6/513**

(58) **Field of Classification Search** ..... D6/553,  
D6/567, 555, 574, 474, 461, 468, 570, 569,  
D6/512, 513, 514; 108/40, 42, 35, 59, 91,  
108/92, 96, 134, 115, 152; 211/87.01, 90.04,  
211/90.02, 119.005, 126.5, 134, 40, 41.12,  
211/42, 49.1, 50

See application file for complete search history.

(56) **References Cited**

**U.S. PATENT DOCUMENTS**

D312,185 S *	11/1990	Prater, Sr.	.....	D6/574
D314,483 S	2/1991	Zimprich et al.		
4,993,676 A	2/1991	Fitts et al.		
D316,790 S *	5/1991	Robbins et al.	.....	D6/574
5,064,161 A *	11/1991	Anderson	.....	D6/513
5,148,282 A *	9/1992	Sedighzadeh	.....	D6/513
D333,061 S *	2/1993	Sedighzadeh	.....	D6/512
D333,398 S	2/1993	Sedighzadeh et al.		
D334,861 S *	4/1993	Cheng	.....	D6/553
D350,664 S	9/1994	Vogels		
D365,951 S	1/1996	Walters, III		
D377,897 S	2/1997	Vogels		
D388,646 S	1/1998	Canton Gongora et al.		
D392,131 S *	3/1998	Flagg	.....	D6/511

(Continued)

**FOREIGN PATENT DOCUMENTS**

EM 000686258-0001 3/2007

**OTHER PUBLICATIONS**

U.S. Appl. No. 12/624,134, filed Nov. 23, 2009, Matthew William Stifal.

(Continued)

*Primary Examiner*—Brian N Vinson

(74) *Attorney, Agent, or Firm*—Foley & Lardner LLP

(57) **CLAIM**

I claim the ornamental design for a cover, as shown and described.

**DESCRIPTION**

FIG. 1 is a front perspective view of a cover showing my new design;

FIG. 2 is a rear perspective view thereof;

FIG. 3 is a front elevational view thereof;

FIG. 4 is a top plan view thereof;

FIG. 5 is a bottom plan view thereof;

FIG. 6 is a right side elevational view thereof;

FIG. 7 is a left side elevational view thereof;

FIG. 8 is a rear elevational view thereof;

FIG. 9 is a front perspective view of another embodiment of a cover showing my new design;

FIG. 10 is a rear perspective view of the cover in FIG. 9;

FIG. 11 is a front elevational view of the cover in FIG. 9;

FIG. 12 is a top plan view of the cover in FIG. 9;

FIG. 13 is a bottom plan view of the cover in FIG. 9;

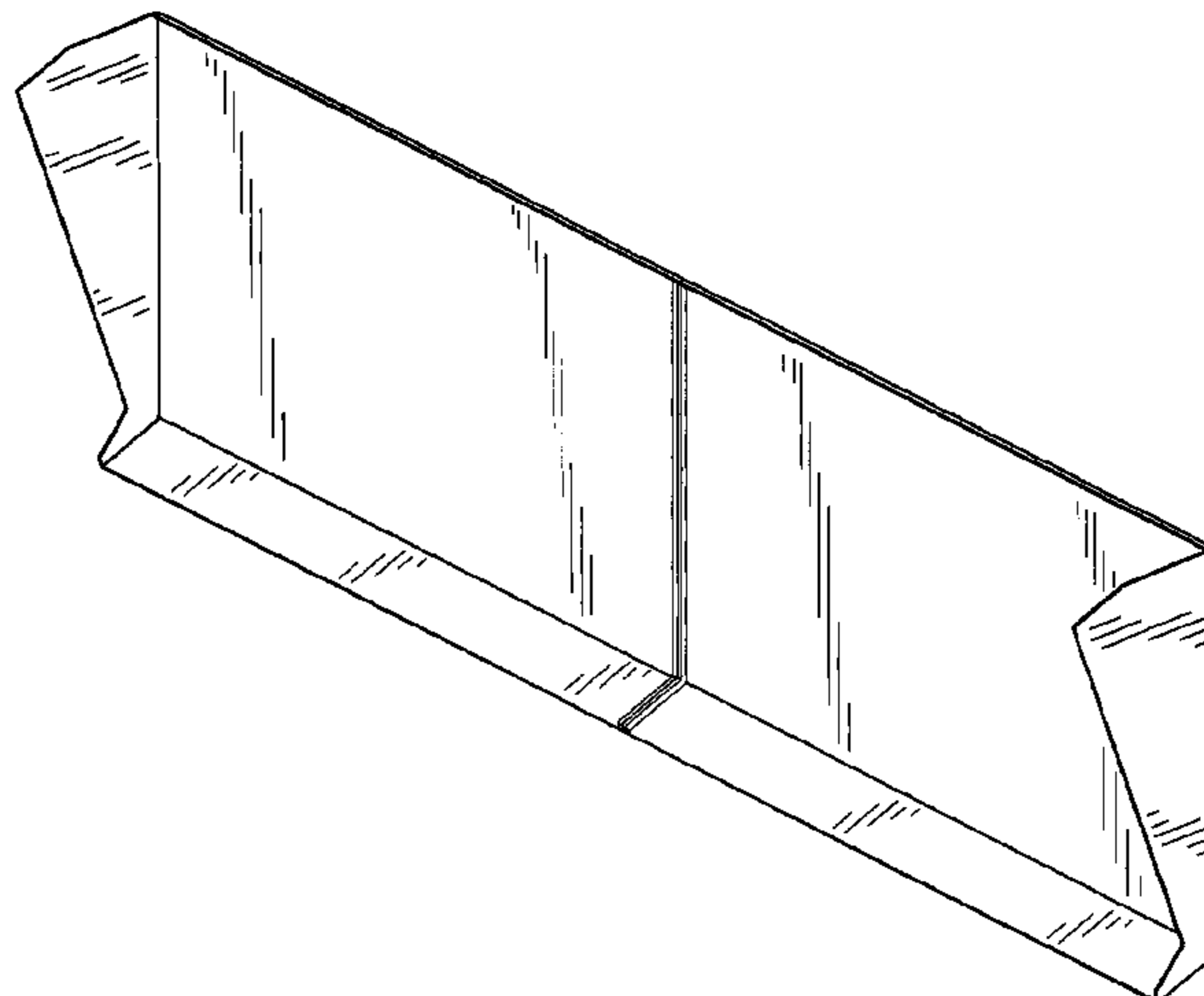
FIG. 14 is a right side elevational view of the cover in FIG. 9;

FIG. 15 is a left side elevational view of the cover in FIG. 9; and,

FIG. 16 is a rear elevational view of the cover in FIG. 9.

The broken lines shown are for illustrative purposes only and form no part of the claimed design.

**1 Claim, 12 Drawing Sheets**



U.S. PATENT DOCUMENTS

D394,570	S	*	5/1998	Walters, III	.....	D6/513
D410,836	S		6/1999	Vogels		
6,554,238	B1		4/2003	Hibberd		
6,739,096	B2		5/2004	Feldpausch et al.		
D493,800	S		8/2004	Pfister et al.		
D528,901	S		9/2006	David		
D538,141	S		3/2007	Stenhouse et al.		
D546,610	S	*	7/2007	Blanchard	.....	D6/567
D560,668	S		1/2008	Pritchard et al.		
7,320,454	B2		1/2008	Lee et al.		
D563,700	S		3/2008	Walters et al.		
D565,399	S		4/2008	Grey		
D566,444	S		4/2008	Grey		
D568,321	S		5/2008	Gillespie		
D568,322	S		5/2008	Gillespie et al.		
D568,323	S		5/2008	Gillespie et al.		
D581,914	S		12/2008	Bures et al.		
D591,756	S		5/2009	Wohlford et al.		
2004/0251390	A1		12/2004	Wachob		
2008/0128574	A1		6/2008	Walters et al.		
2009/0021655	A1		1/2009	Walters		

OTHER PUBLICATIONS

U.S. Appl. No. 29/344,842, filed Oct. 5, 2009, Matthew William Stifal.  
 Non-Final Office Action for U.S. Appl. No. 29/344,842, dated Nov. 2, 2009.  
 Model PM-D—Dual Plasma Bracket, Video Furniture International, <http://www.video-furn.com>, Sep. 23, 2009.  
 Plasma Swivel Mount and Plasma Screen Mount, ERGO In Demand, <http://www.ergoindemand.com/plasma-swivel-screen-mount.htm>, Sep. 22, 2009.

Jumbo DLP Ceiling Mount, HT Market, <http://www.htmarket.com/jmc-dlp50.html>, Sep. 23, 2009.  
 Telescopic Pole LCD Ceiling Mount, Sallas Industrial Co., Ltd., <http://www.allproducts.com/showcase/sallas/Product-200478221918.html> Sep. 22, 2009.  
 Advance Quick Link® Plasma Ceiling Mounts, Dalite, <http://www.dalite.com>, Sep. 22, 2009.  
 Peerless PLCK-1-Flat Panel Conversion Kit for up to 50" Flat Panels (wo/ adapter plate), Peerless Industries, Inc., <http://www.wracksandstands.com/Peerless-PLCK-1-PE1173.html>, Sep. 22, 2009.  
 2C Ceiling Mounting Brackets for Panels, 2C Overhead IT, 2C Display Accessories, [http://www.2cdisplays.com.au/html/2C\\_products\\_panel\\_ceiling.html](http://www.2cdisplays.com.au/html/2C_products_panel_ceiling.html), Sep. 23, 2009.  
 PAC722 Dual Side-by Side Accessory, Chief, <http://chiefmfg.com/productdetail.aspx?AccessoryID=1089>, Sep. 29, 2009.  
 "Installation and Assembly: Solid Point™ FlatPanel Straight Column Ceiling Mount," Peerless Industries, Inc., Feb. 16, 2006.  
 "Installation and Assembly: Custom Dual Screen Ceiling Mount," Peerless industries, Inc., Nov. 6, 2007.  
 "Installation and Assembly: Custom Double Mount," Peerless Industries, Inc., Apr. 19, 2007.  
 Dual and Quad TV Monitor Mounts—Multi Mount TV Pedestal and Ceiling Systems, ERGO In Demand, <http://www.ergoindemand.com/dua-quad-mounts.htm>, Sep. 22, 2009.  
 TKLA-7837, Fogim Enterprise Corporation, <http://www.fogim-ent.com>, 2008.  
 Peerless (ACC912) Lightweight Cathedral Ceiling Adapter, Peerless Industries, Inc., <http://www.projectorzone.com/Peerless-ACC912>, Sep. 22, 2009.  
 VMPU—100L Wall Mounts; AVTEQ, <http://www.avteq.net>, Sep. 23, 2009.

\* cited by examiner

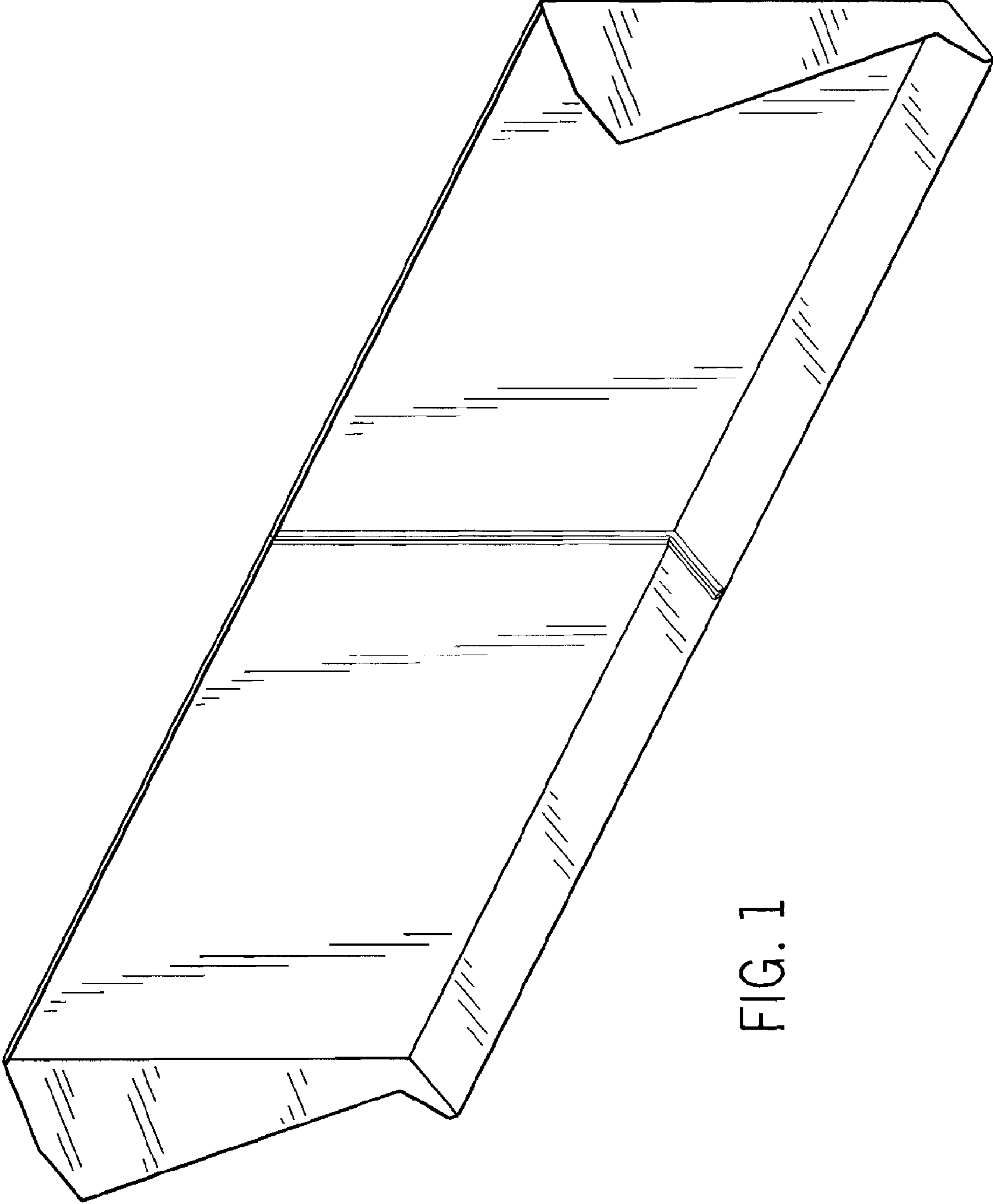


FIG. 1

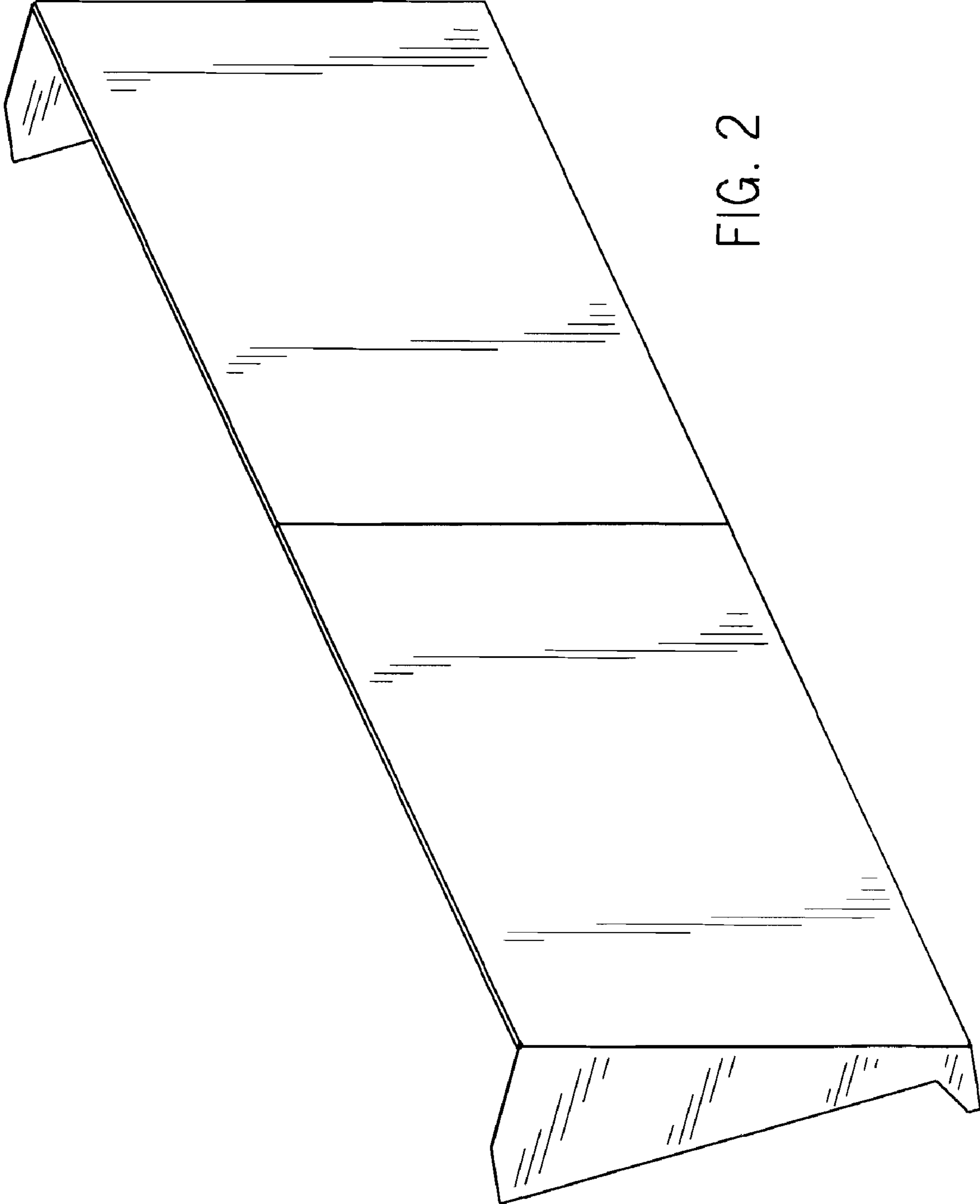


FIG. 2

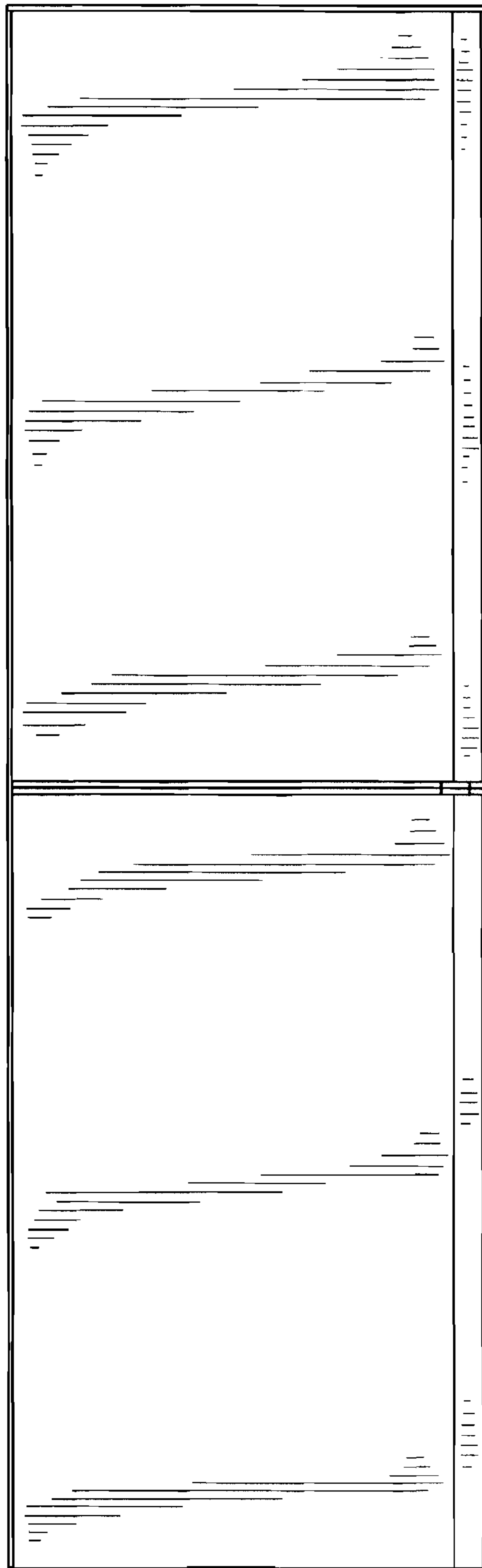


FIG. 3



FIG. 4



FIG. 5

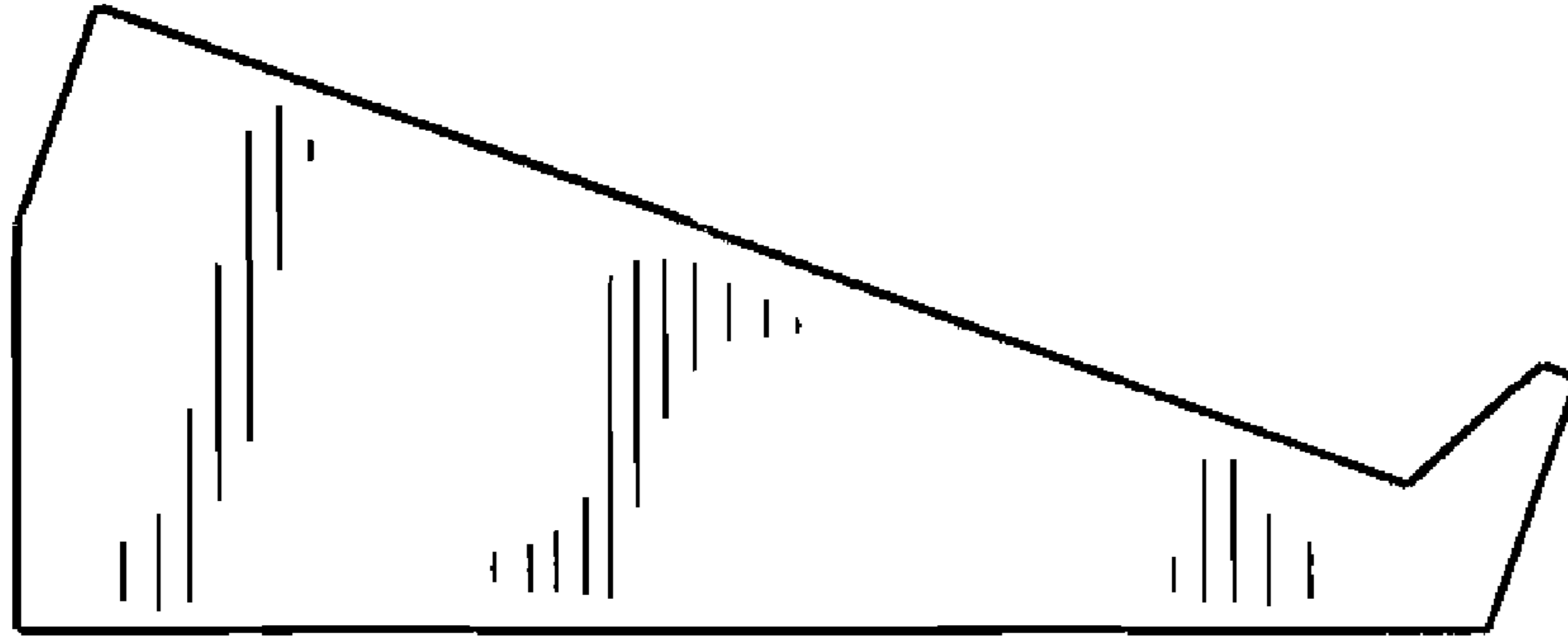


FIG. 7

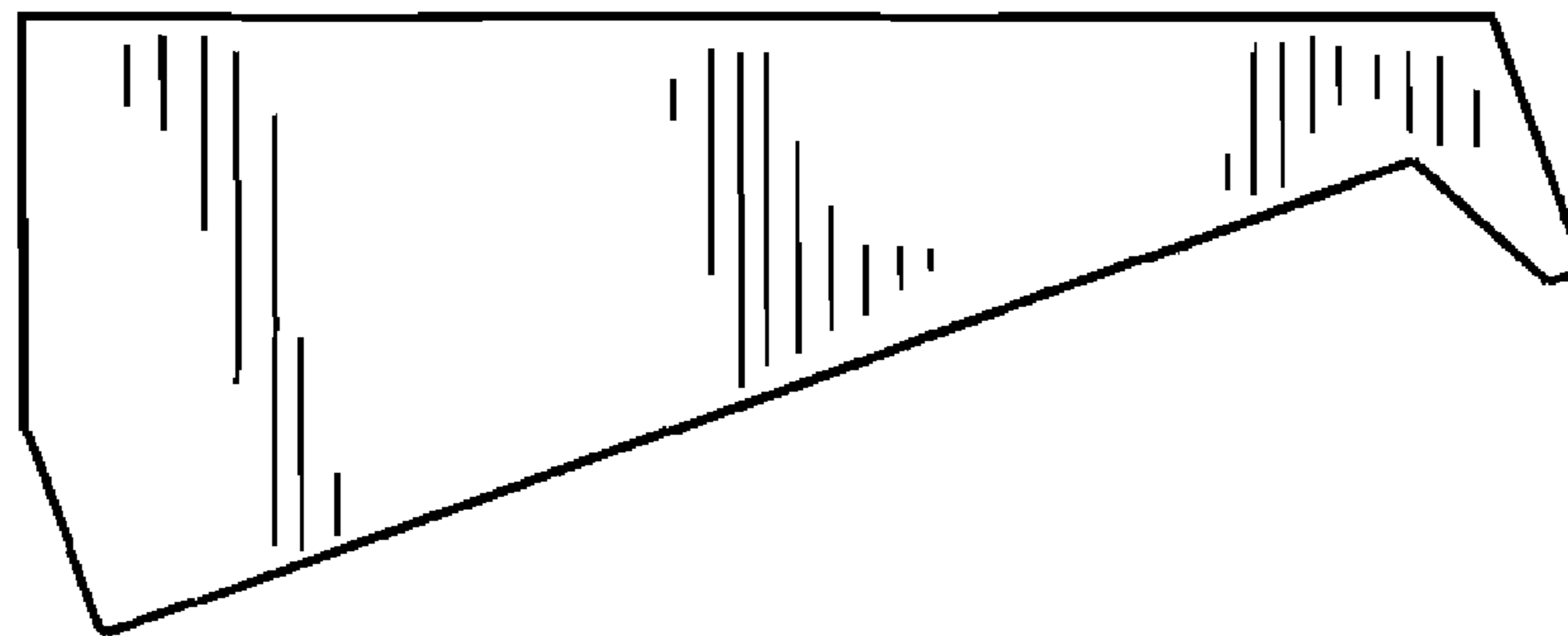


FIG. 6

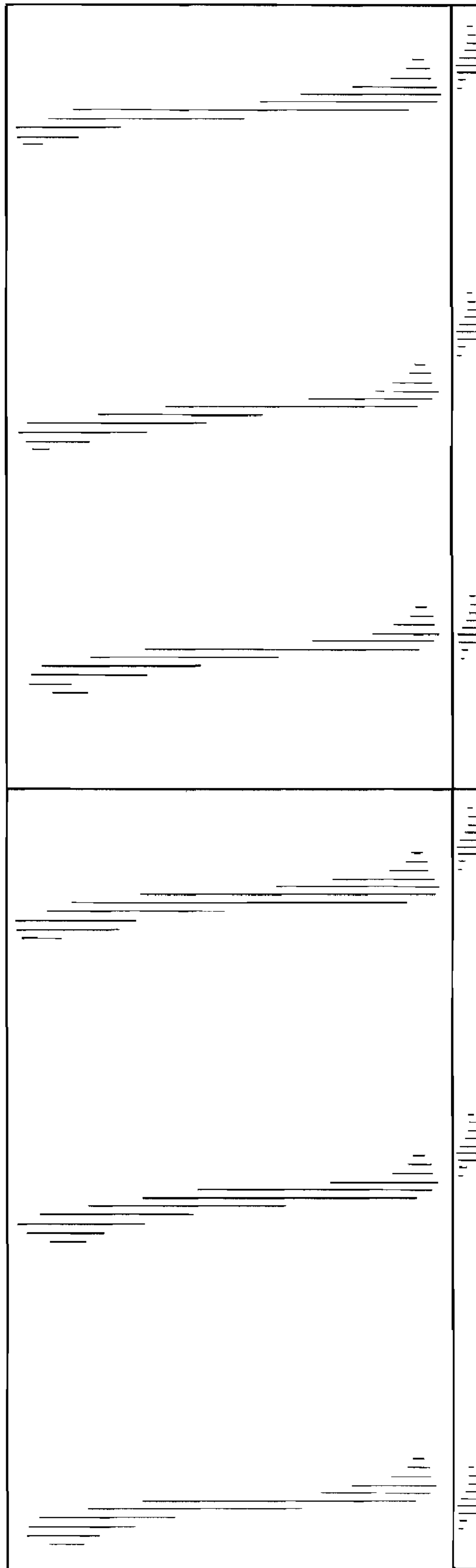


FIG. 8



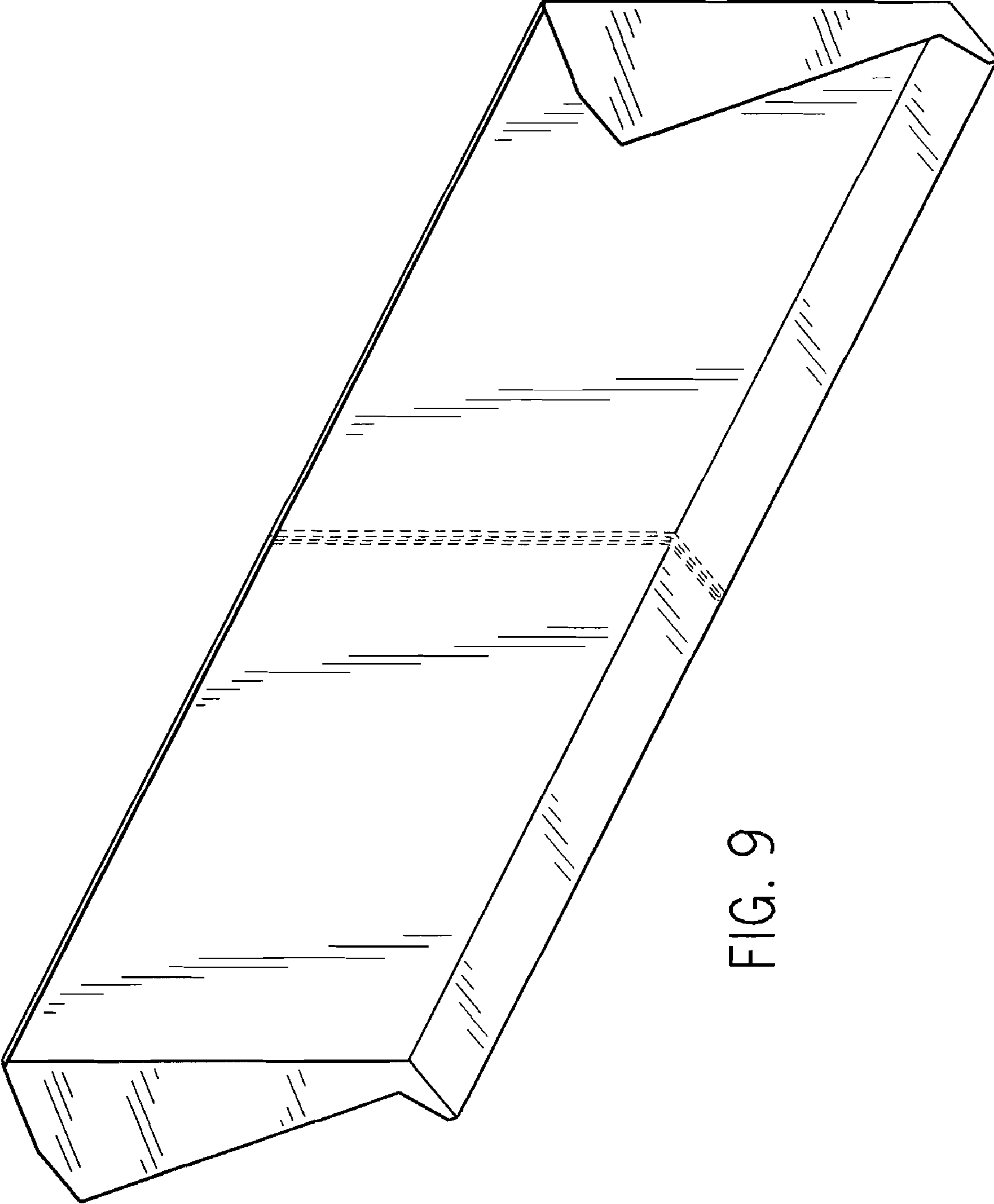


FIG. 9

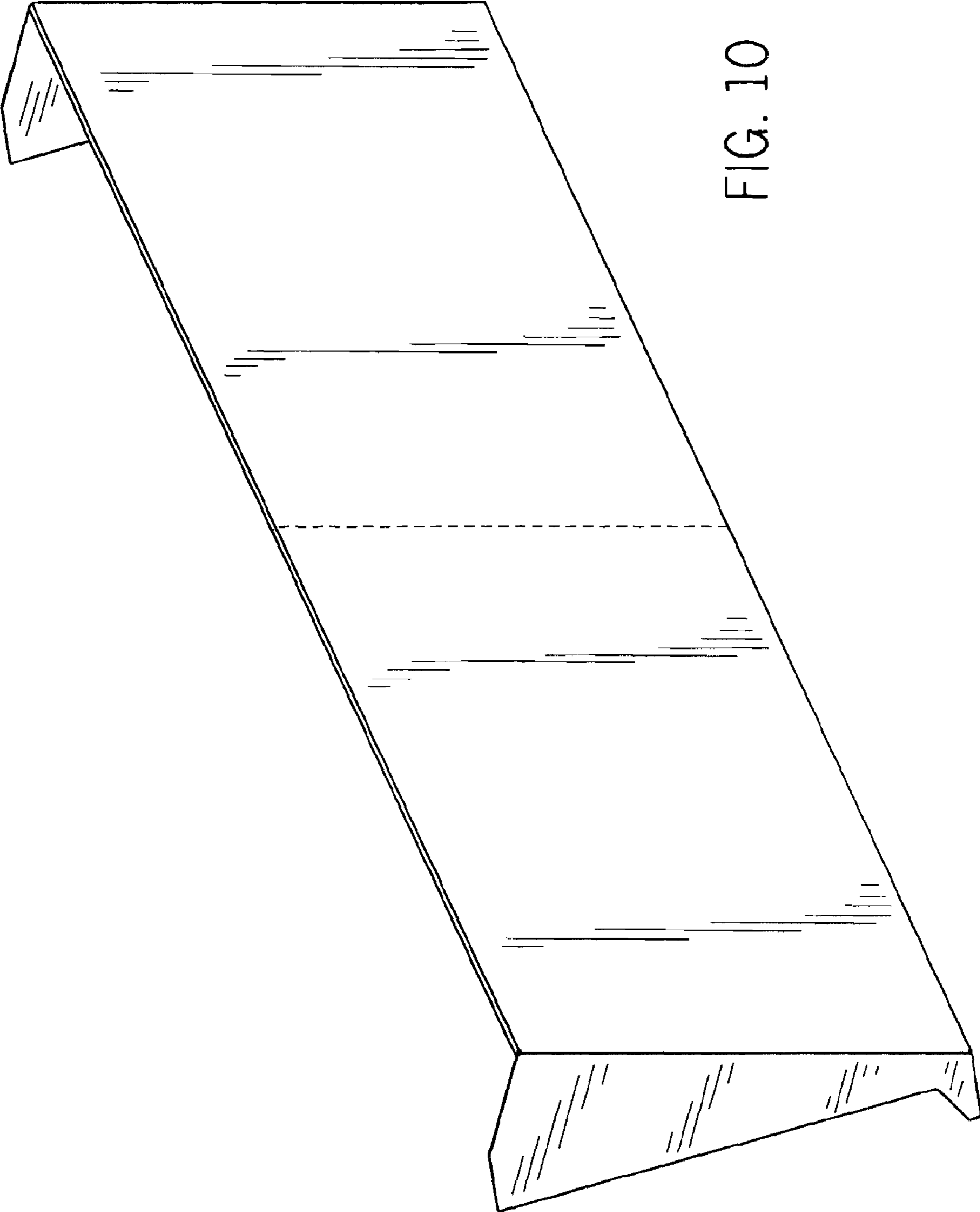


FIG. 10

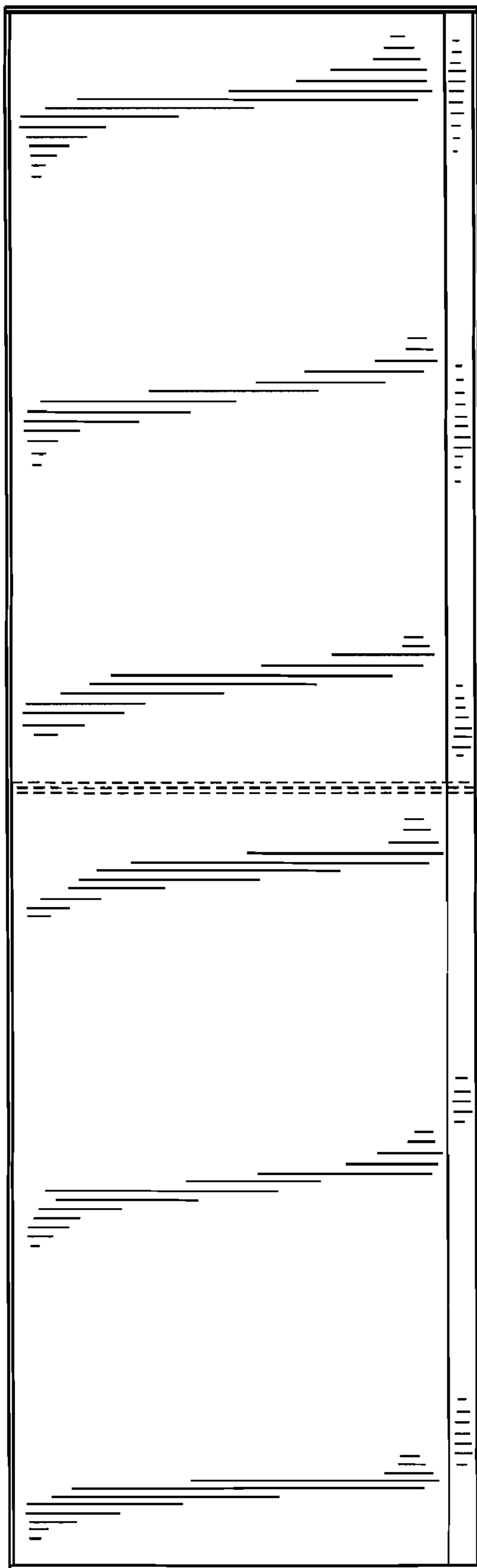


FIG. 11

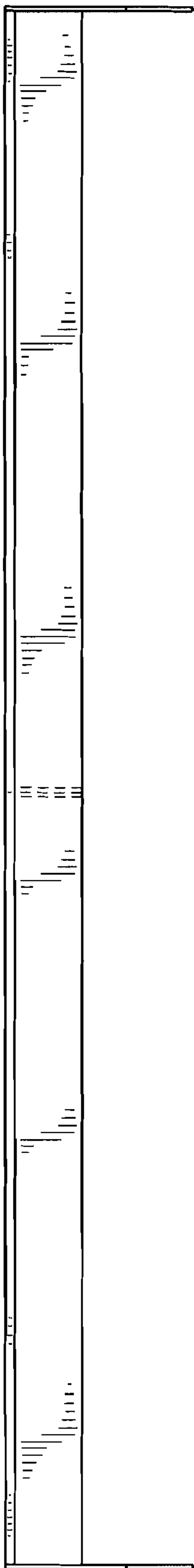


FIG. 12

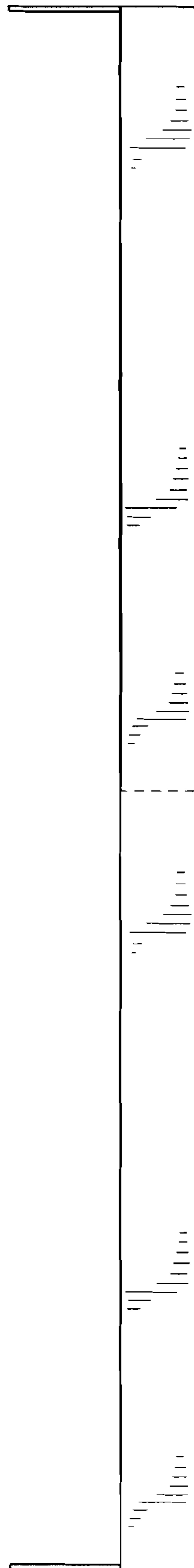


FIG. 13

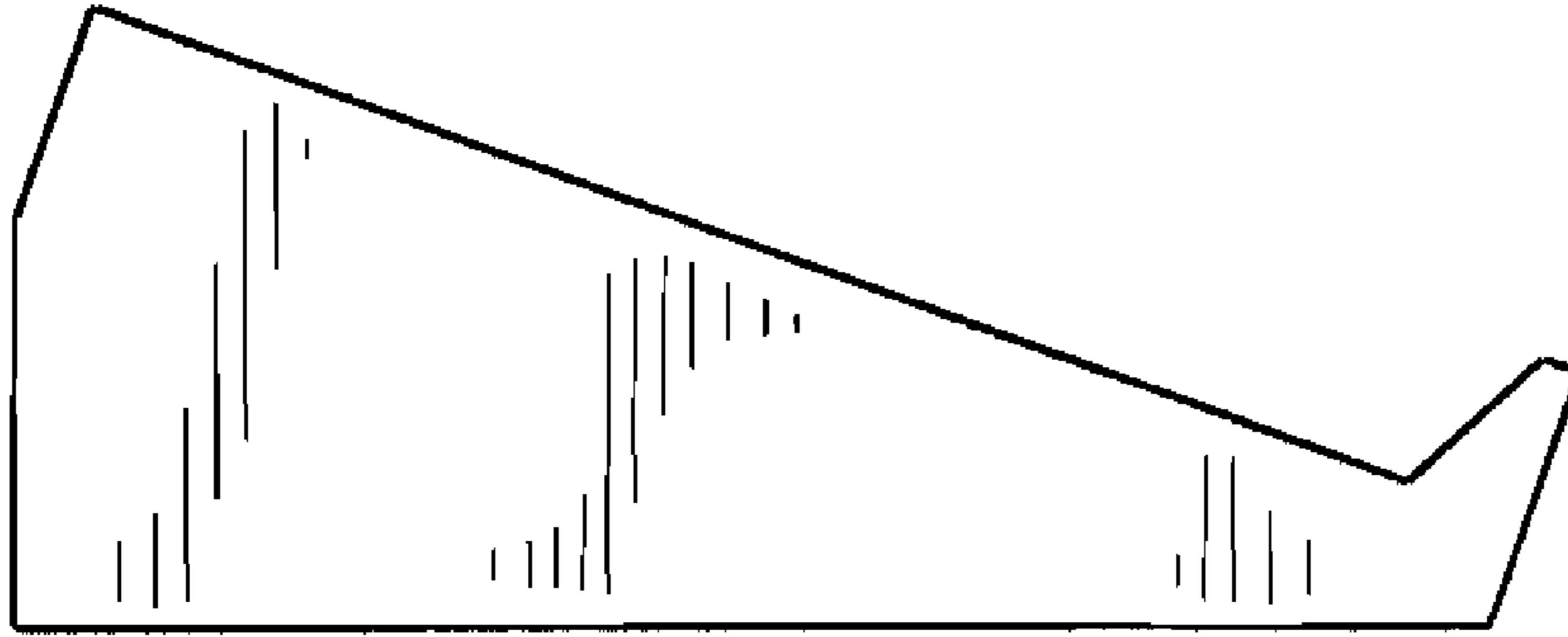


FIG. 15

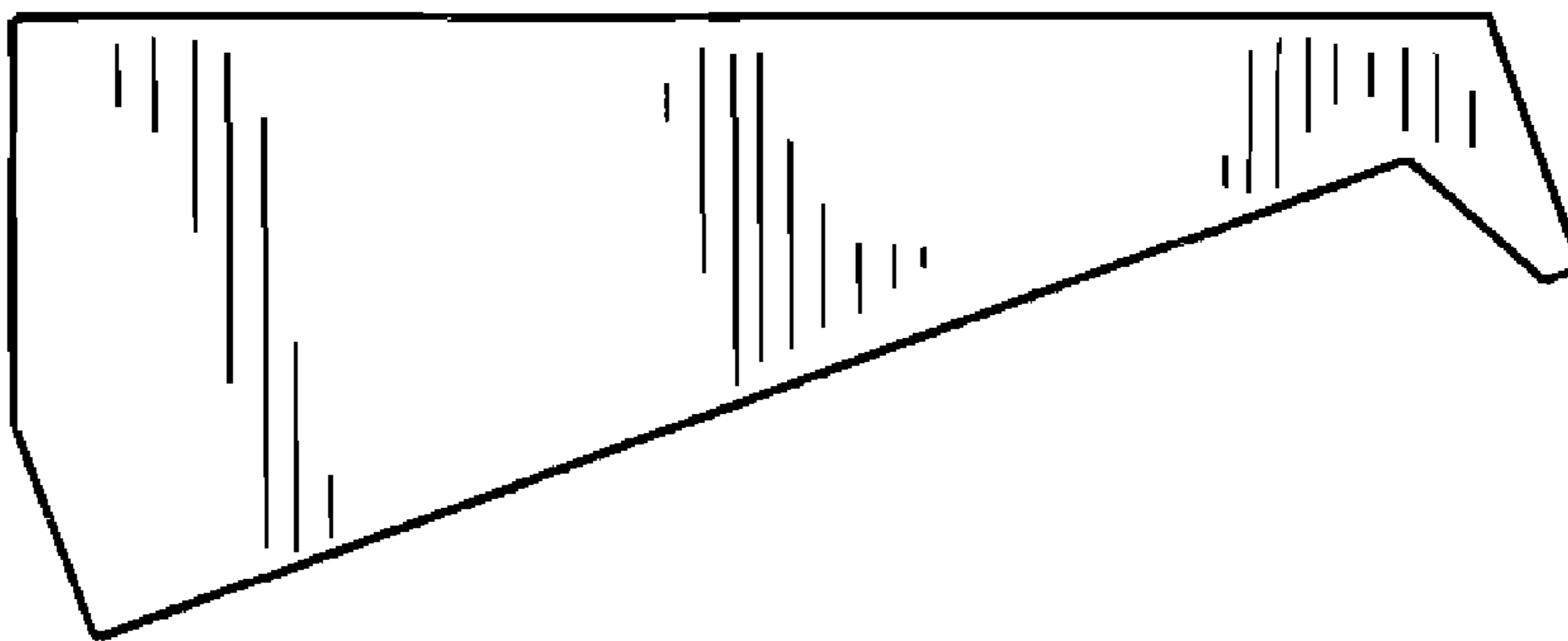


FIG. 14

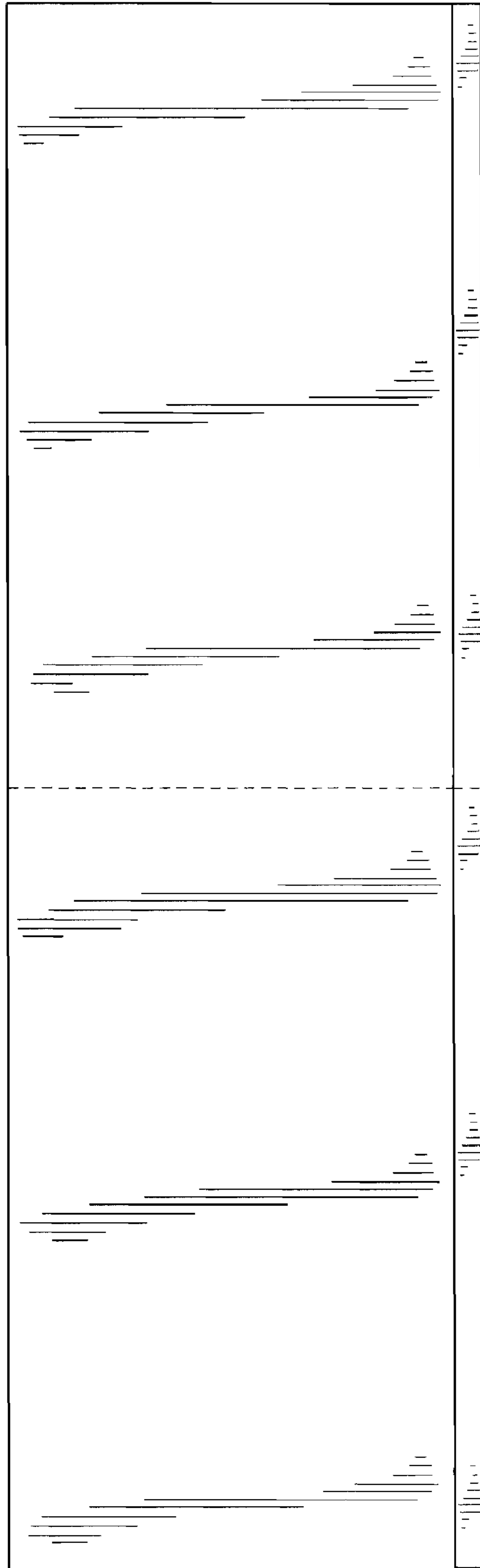


FIG. 16