



US00D610379S

(12) **United States Design Patent**
Muller

(10) **Patent No.:** **US D610,379 S**

(45) **Date of Patent:** **** Feb. 23, 2010**

(54) **CHAIR BACKREST**

(75) Inventor: **Carl A. Muller**, Huntington Beach, CA (US)

(73) Assignee: **Elite Manufacturing Corporation**, Santa Fe Springs, CA (US)

(**) Term: **14 Years**

(21) Appl. No.: **29/336,199**

(22) Filed: **Apr. 29, 2009**

Related U.S. Application Data

(63) Continuation of application No. 29/330,823, filed on Jan. 14, 2009, now abandoned.

(51) **LOC (9) Cl.** **06-01**

(52) **U.S. Cl.** **D6/502**

(58) **Field of Classification Search** D6/334–336, D6/35–36, 374–375, 379–381, 498, 500–502; 297/284.4, 411.27, 452.13, 452.19, 452.21, 297/452.29, 452.3, 452.56, 452.64
See application file for complete search history.

(56) **References Cited**

U.S. PATENT DOCUMENTS

D80,085 S	12/1929	Nevin	
D244,898 S *	7/1977	Rocchia	D6/358
D259,841 S	7/1981	Mioni	D6/74
D289,469 S	4/1987	Tonon	D6/379
D367,370 S *	2/1996	Berry et al.	D6/374
D374,131 S	10/1996	Muller	D6/380
D381,828 S	8/1997	Kemnitzer	D6/379
D386,912 S *	12/1997	Diaz-Azcuy	D6/380
D390,031 S *	2/1998	Diaz-Azcuy	D6/380
D409,409 S	5/1999	Muller	D6/380
D430,412 S *	9/2000	Lewis	D6/334
D438,718 S	3/2001	Hutton	D6/334
D444,010 S	6/2001	Ambrosio	D6/502

(Continued)

OTHER PUBLICATIONS

Camelia Dining Set, manufactured by Amisco of Quebec, Canada, illustrated on cover of Home Fashion Forecast, Las Vegas Market Edition, 1 page, Winter, 2008.

(Continued)

Primary Examiner—Caron Veynar

Assistant Examiner—Ricky Pham

(74) *Attorney, Agent, or Firm*—Heslin Rothenberg Farley & Mesiti P.C.

(57) **CLAIM**

The ornamental design for a chair backrest, as shown and described.

DESCRIPTION

FIG. 1 is a perspective view of a chair backrest in accordance with the new design;

FIG. 2 is a front elevational view thereof;

FIG. 3 is a rear elevational view thereof;

FIG. 4 is a right side elevational view thereof;

FIG. 5 is a left side elevational view thereof;

FIG. 6 is a top view thereof;

FIG. 7 is a perspective view of a second embodiment of the chair backrest in accordance with the new design having portions with a brushed/metallic finish which is the sole difference between it and FIGS. 1–6;

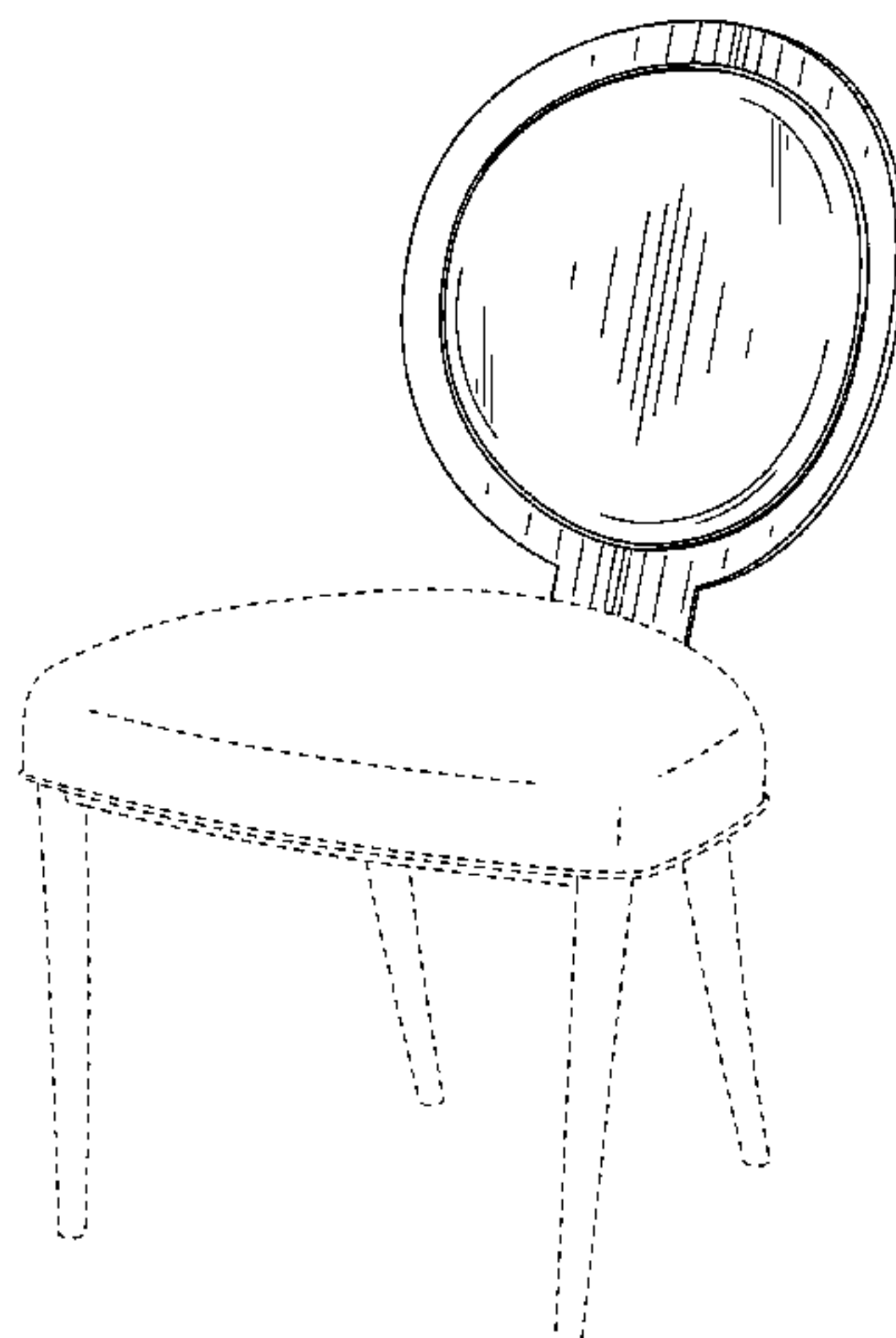
FIG. 8 is a perspective view of a third embodiment of the chair backrest in accordance with the new design having no specific width, which is the sole difference between it and FIGS. 1–6;

FIG. 9 is a perspective view of a fourth embodiment of the chair backrest in accordance with the new design having a tubular construction which is the sole difference between it and FIGS. 1–6; and,

FIG. 10 is a cross-sectional view taken along line 10–10 in FIG. 9.

The broken lines in the figures are for illustrative purposes only and form no part of the claimed design.

1 Claim, 9 Drawing Sheets



US D610,379 S

Page 2

U.S. PATENT DOCUMENTS

D457,744 S 5/2002 Lewis D6/380
D464,493 S 10/2002 Stannard D6/368
D486,319 S 2/2004 Stanton D6/379
D494,375 S 8/2004 Starck D6/374
D496,173 S 9/2004 Starck D6/379
D497,729 S 11/2004 Peitz et al. D6/379
D515,330 S 2/2006 Lucci et al. D6/380
D515,340 S 2/2006 Gasser D6/502
D542,573 S 5/2007 Muller D6/500
D543,715 S 6/2007 Muller D6/360
D543,718 S 6/2007 Muller D6/380
D544,229 S * 6/2007 Bartlmae D6/374
D544,236 S 6/2007 Swy et al. D6/380
D574,624 S * 8/2008 Bartlmae D6/374

OTHER PUBLICATIONS

Camelia Oval Dining Chair, Model No. 35192, manufactured by Amisco of Quebec, Canada, printout available online on Apr. 6, 2009, at <http://www.amisco.com/AfficherProduit.aspx?page=168&langue=en&id=615>, Jan. 2008, 1 page.
Carl A. Muller, pending U.S. Appl. No. 29/330,823, filed Jan. 14, 2009 entitled "Chair Backrest", 11-pages.
Carl A. Muller, pending U.S. Appl. No. 29/330,824, filed Jan. 14, 2009 entitled "Chair Backrest", 11 pages.
Carl A. Muller, co-pending U.S. Appl. No. 29/336,189, filed Apr. 29, 2009 entitled "Chair Backrest", 11 pages.
Carl A. Muller, pending U.S. Appl. No. 29/329,841, filed Dec. 22, 2008 entitled "Table Support", 9 pages.
Mirage Chair, Manufactured By Pietro Constantini, Italy, printout available online on Aug. 10, 2009, at <http://www.furniturenewyork.com/pc-519-26-costantini-pietro-mirage-chair.aspx>, 2-pages.

* cited by examiner

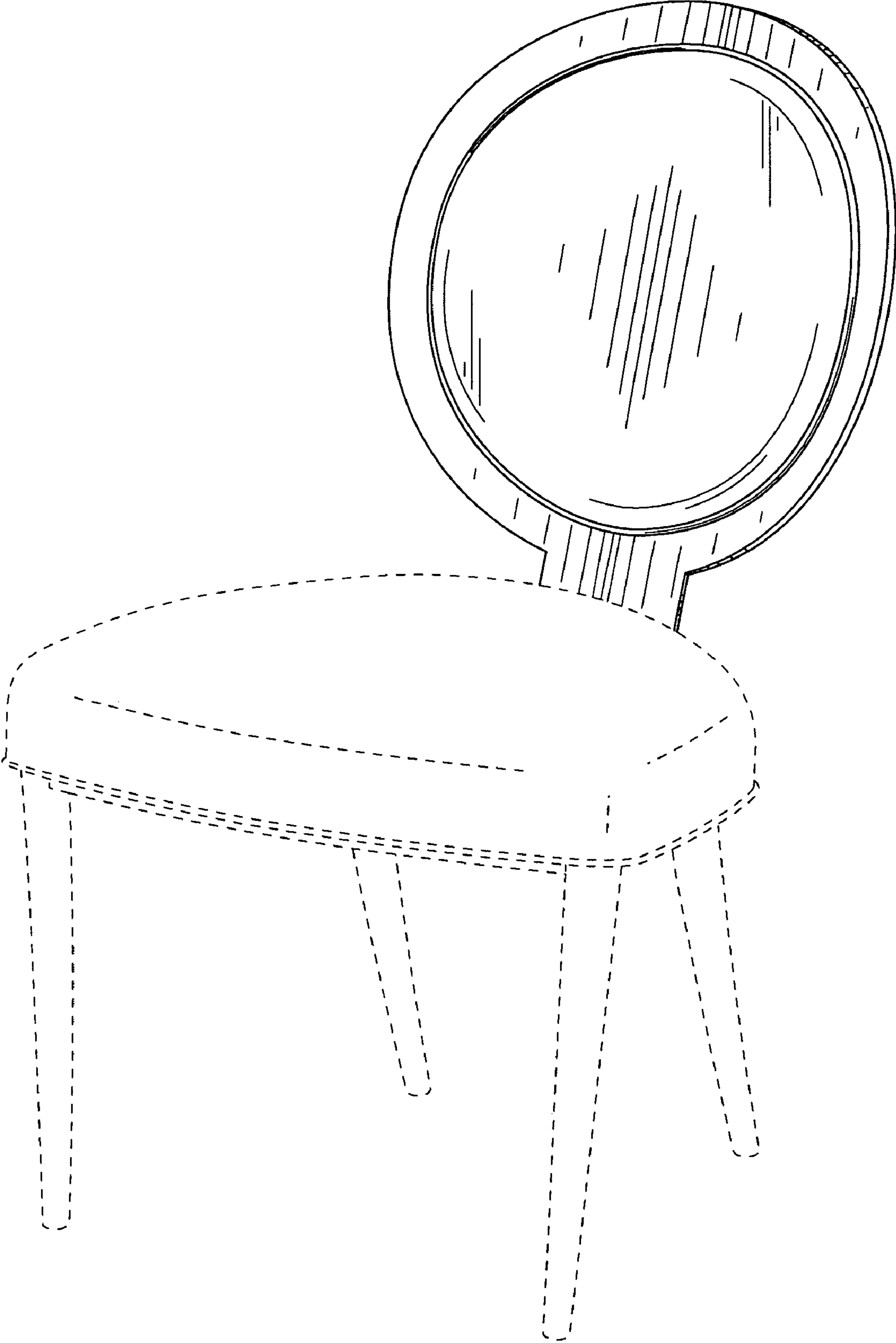


FIG. 1

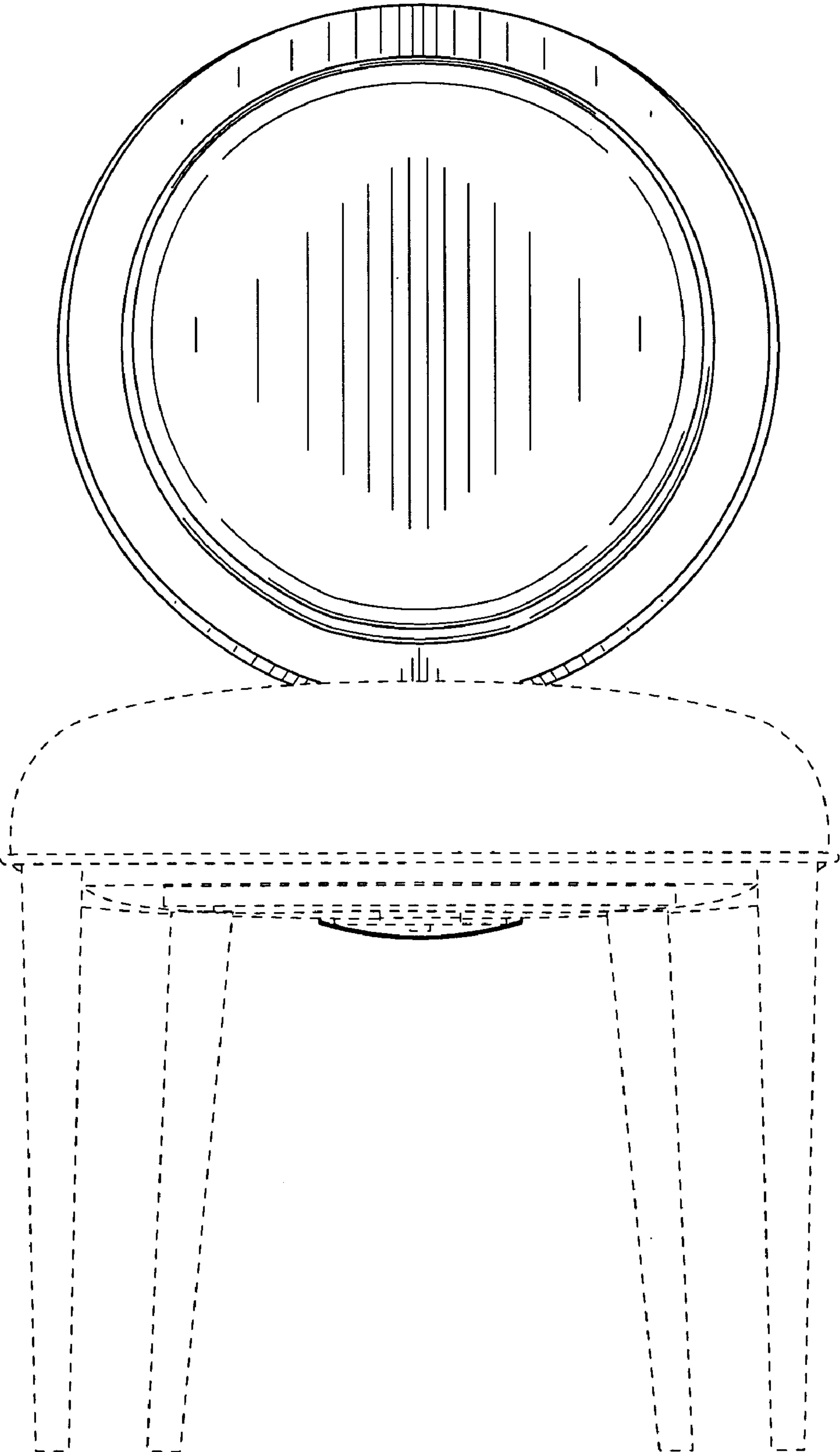


FIG. 2

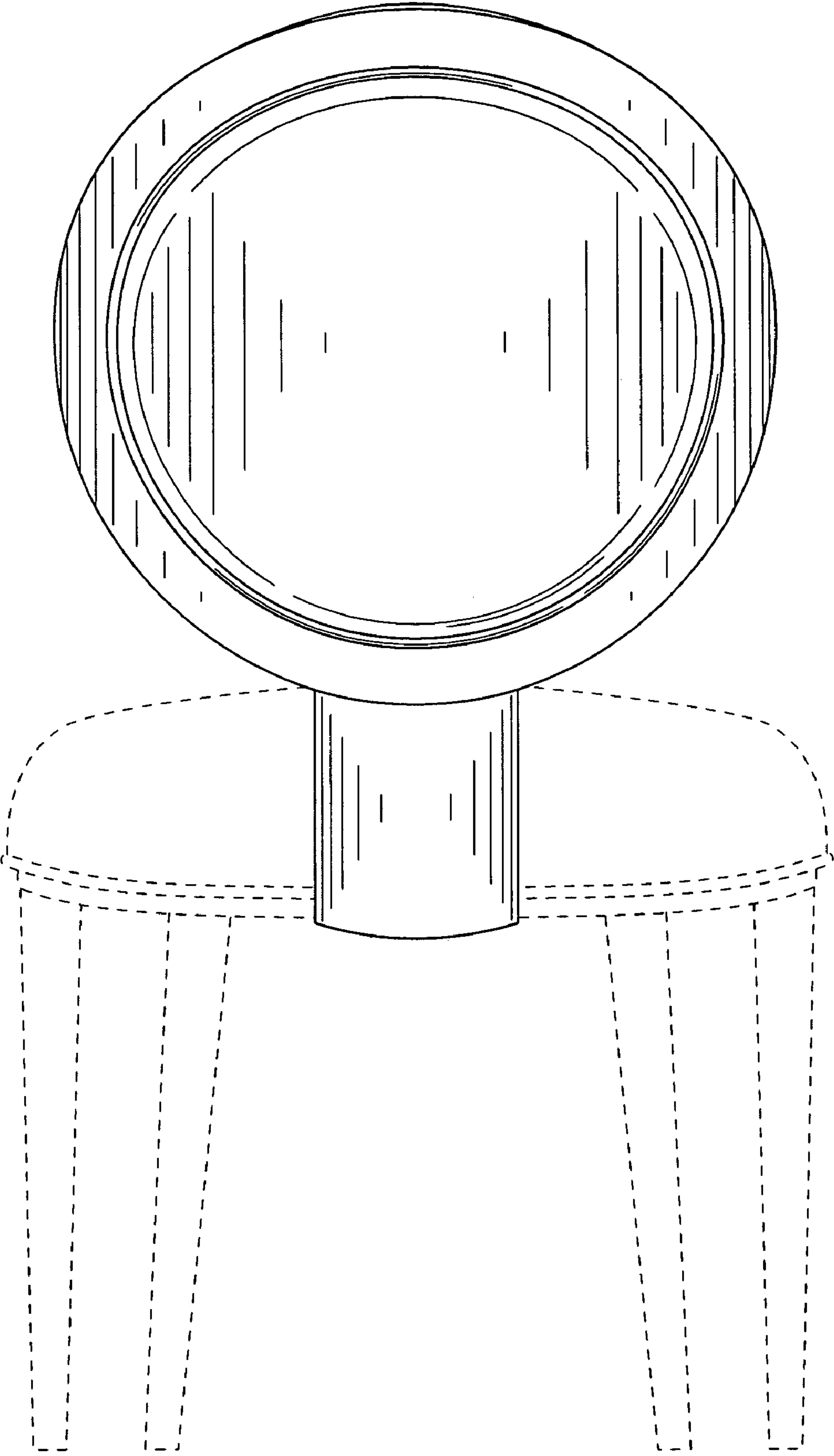


FIG. 3

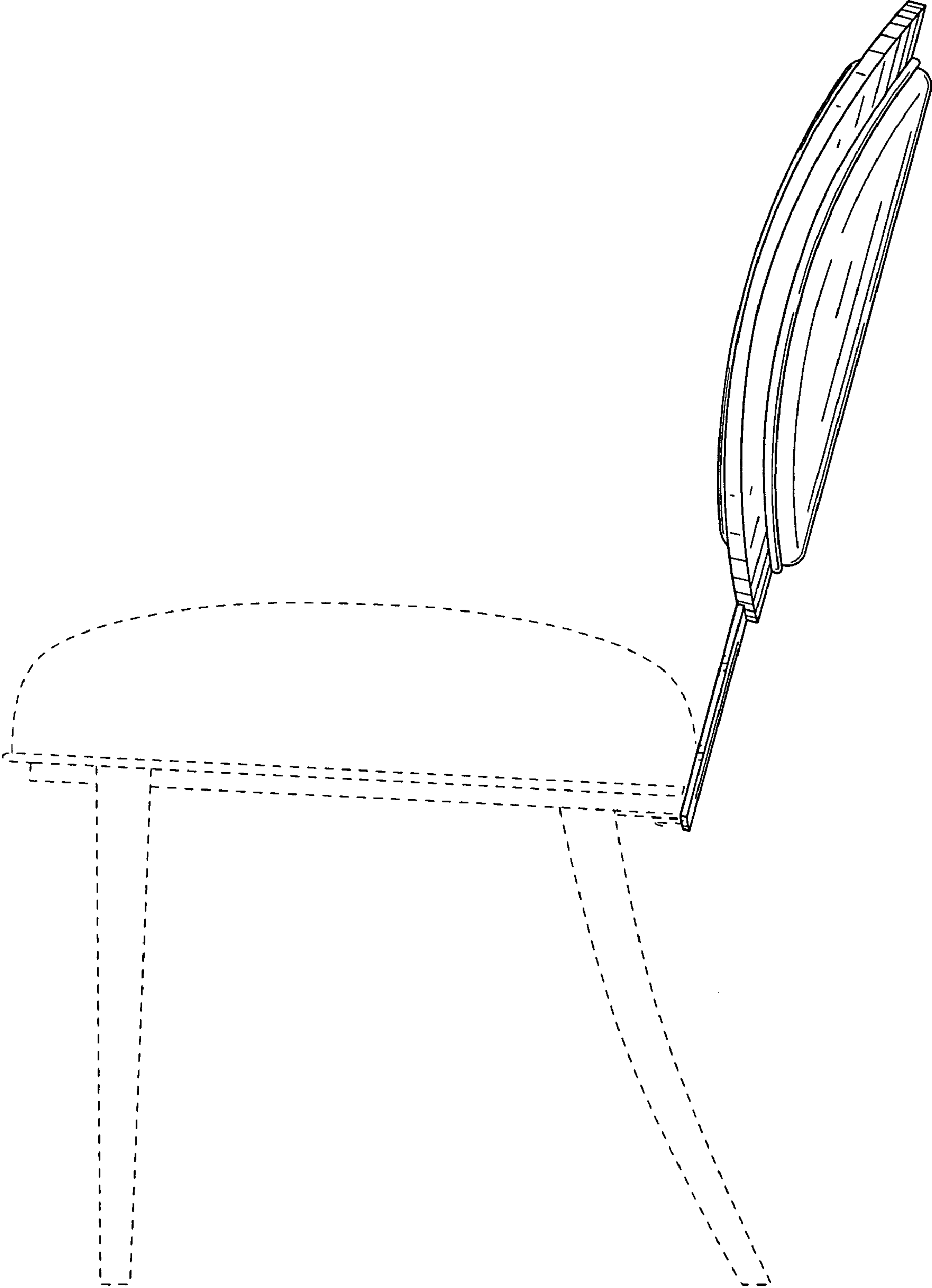


FIG. 4

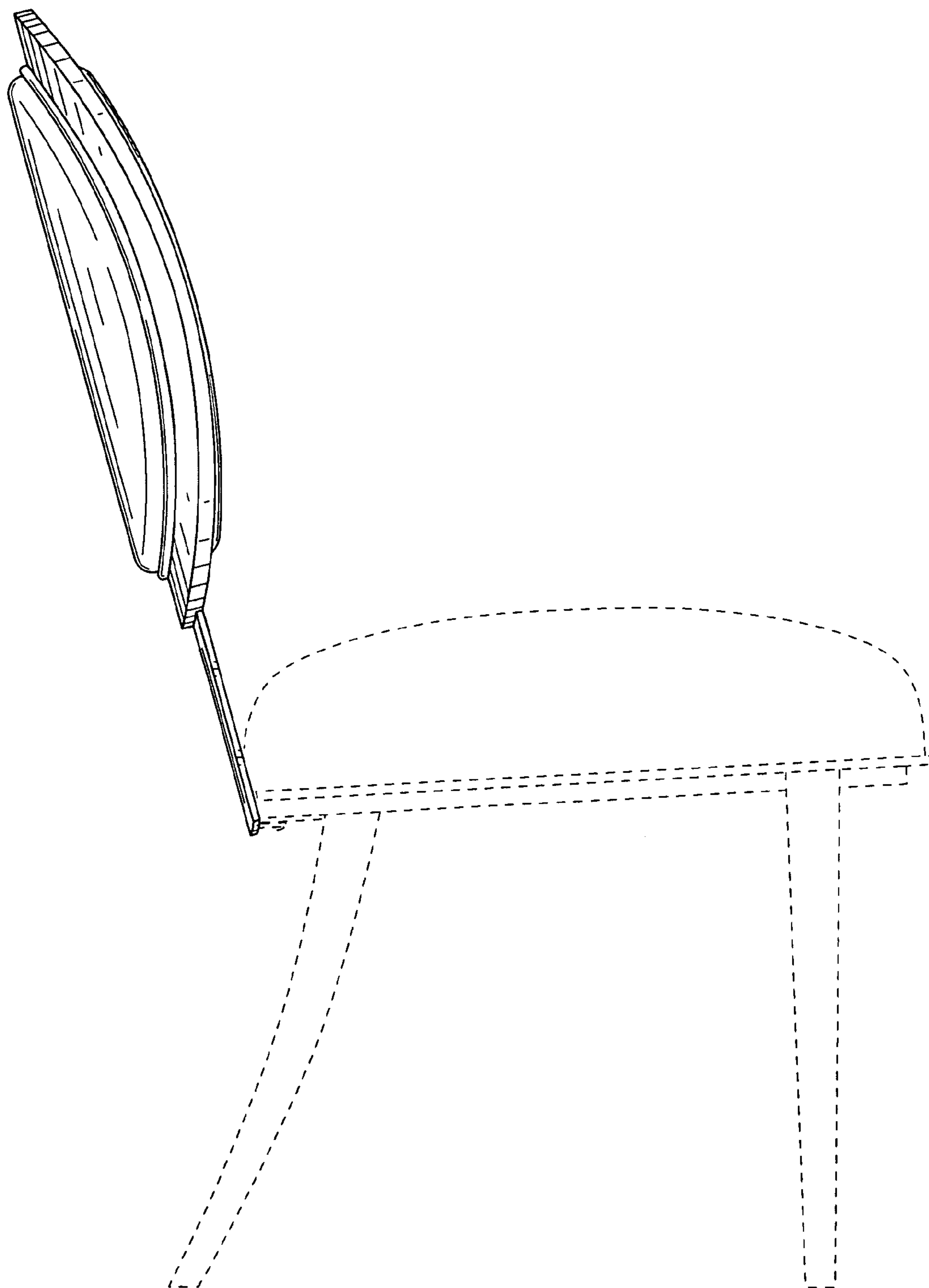


FIG. 5

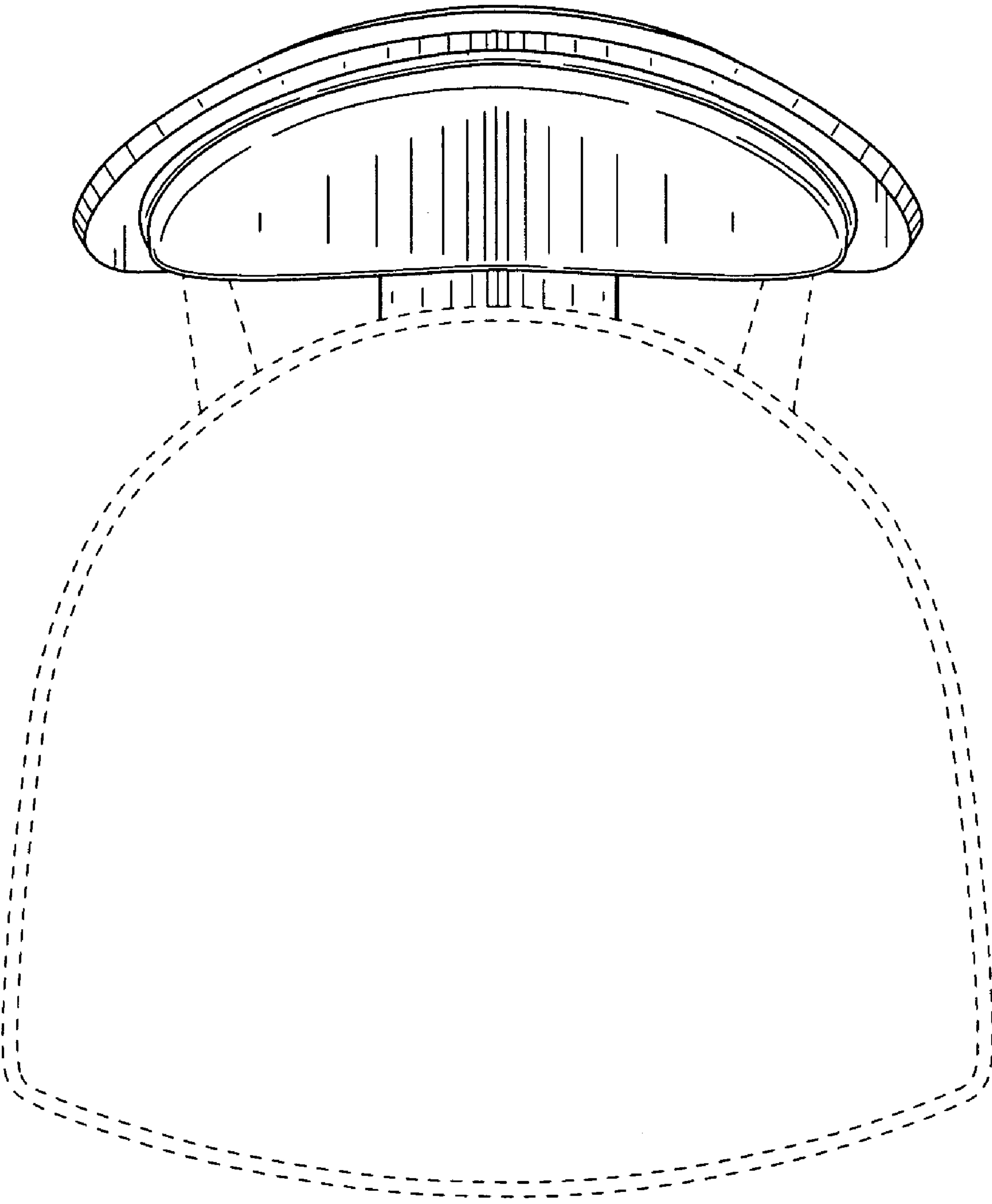


FIG. 6

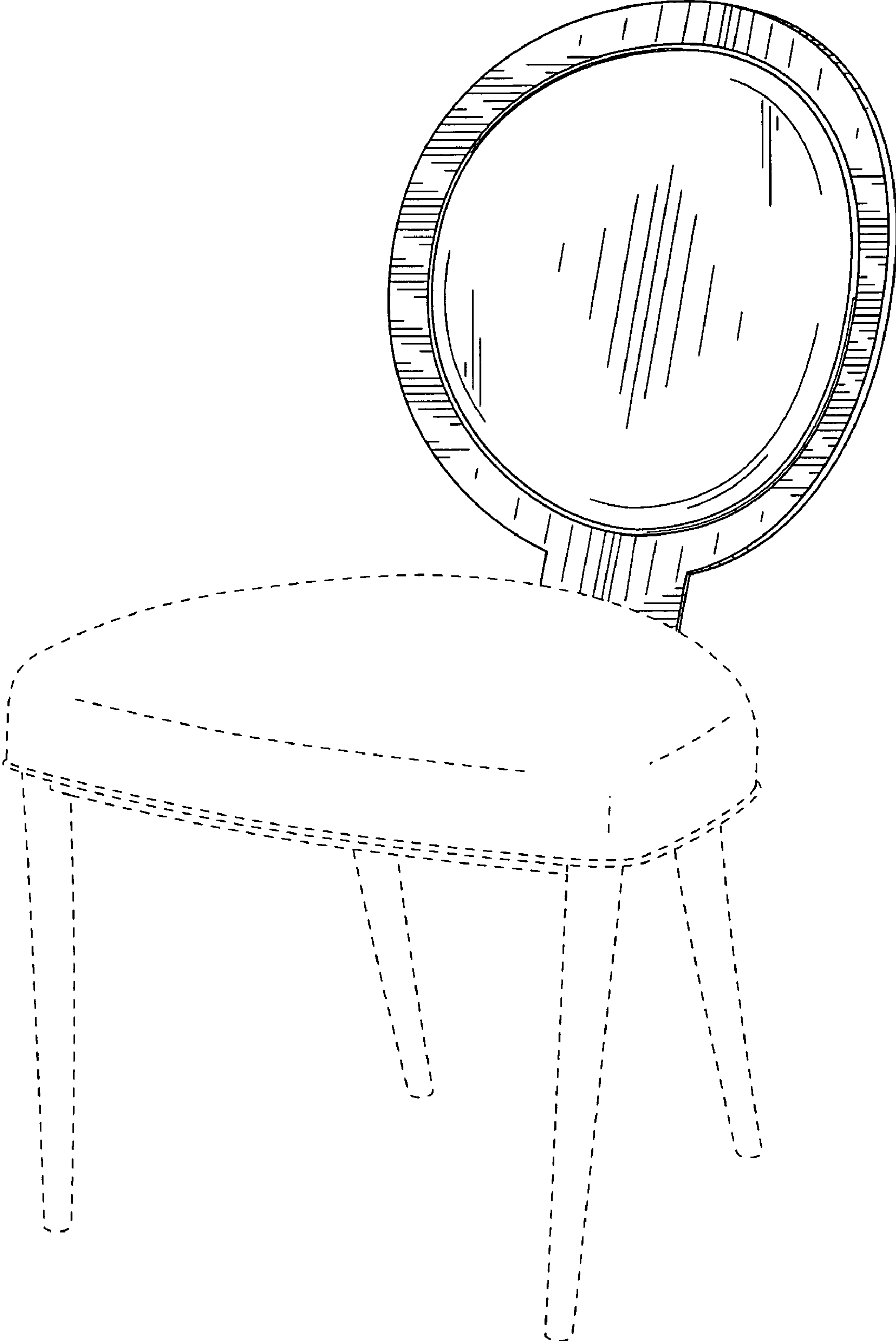


FIG. 7

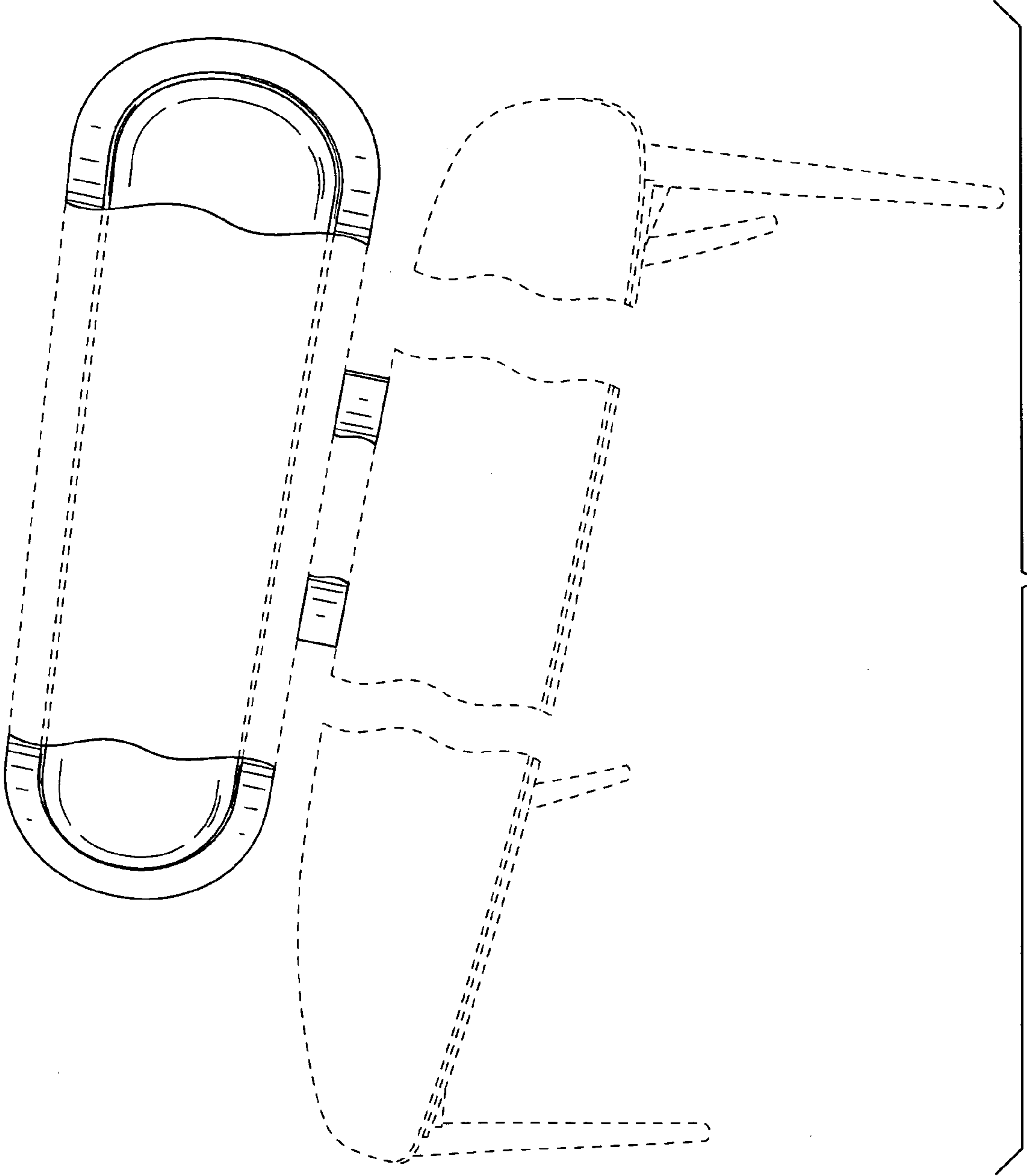


FIG. 8

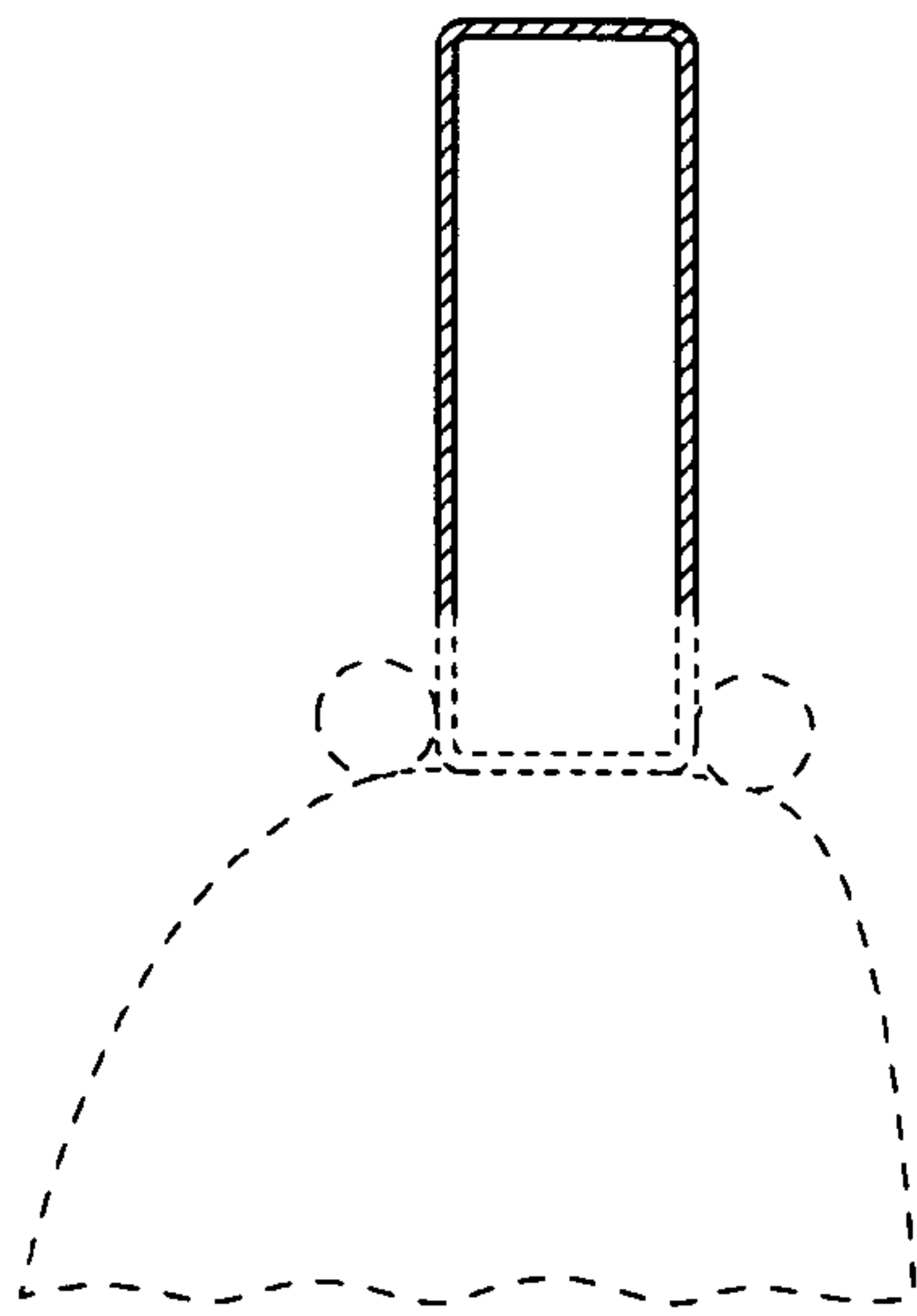


FIG. 10

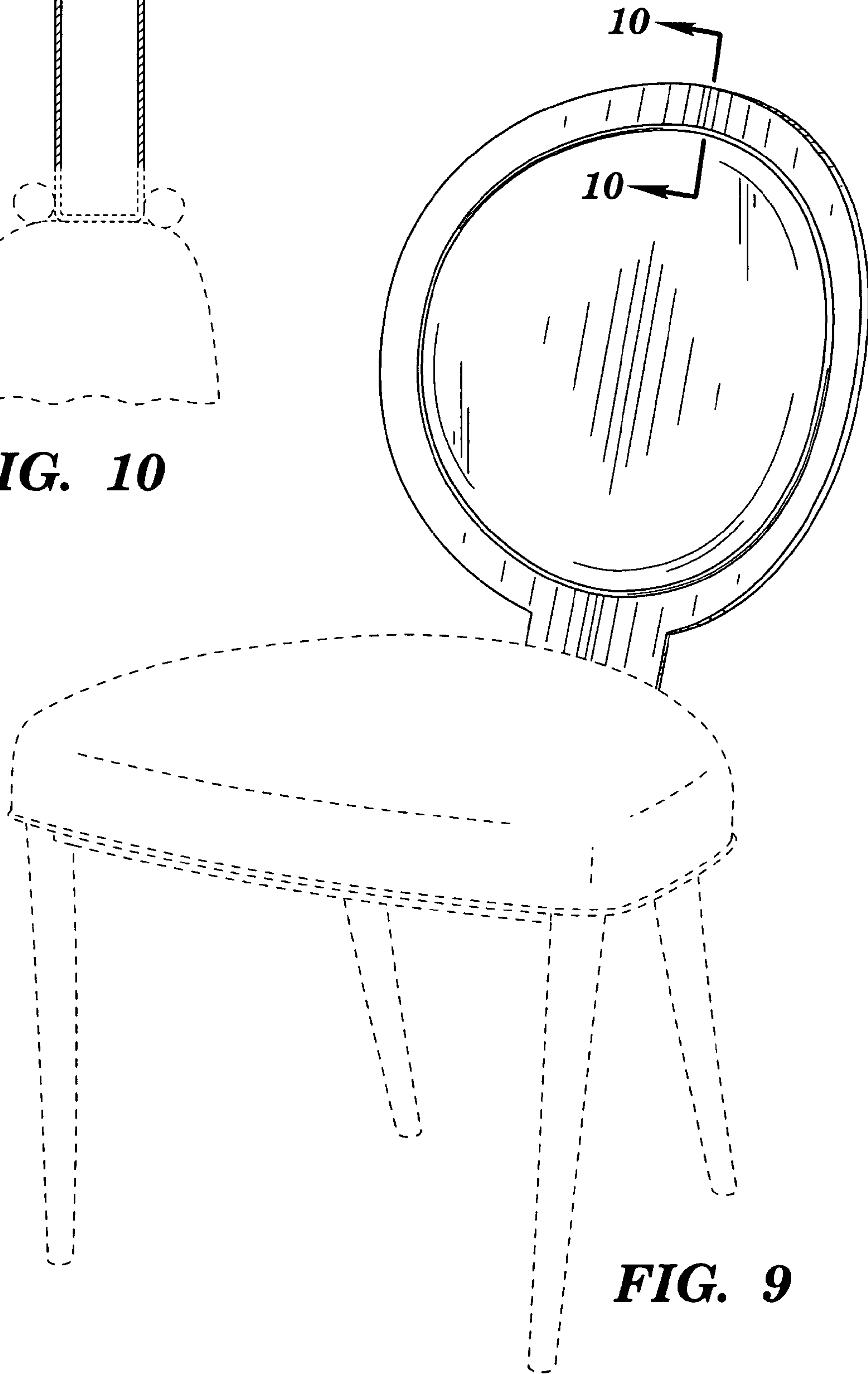


FIG. 9