



US00D610378S

(12) **United States Design Patent**
Kita

(10) **Patent No.:** **US D610,378 S**

(45) **Date of Patent:** **** Feb. 23, 2010**

(54) **CHAIR SEAT**

(75) Inventor: **Toshiyuki Kita**, Osaka (JP)

(73) Assignee: **Takara Belmont Corporation**,
Osaka-shi (JP)

(**) Term: **14 Years**

(21) Appl. No.: **29/338,020**

(22) Filed: **Jun. 3, 2009**

(30) **Foreign Application Priority Data**

Dec. 8, 2008 (JP) 2008-031269

(51) **LOC (9) Cl.** **06-01**

(52) **U.S. Cl.** **D6/500; D6/364**

(58) **Field of Classification Search** D6/334–336,
D6/360, 364, 365, 366, 367, 374, 379, 380,
D6/500–502; 297/411.2, 411.28, 411.44,
297/423.1, 423.19, 451.4, 451.5, 452.2

See application file for complete search history.

(56) **References Cited**

U.S. PATENT DOCUMENTS

D207,840 S * 6/1967 Rodrigo D6/375
D251,219 S * 3/1979 Petersen D6/366
D526,145 S * 8/2006 Kita D6/500

D574,643 S * 8/2008 Petruccelli D6/500
D584,521 S * 1/2009 Massaud D6/366
D584,901 S * 1/2009 Massaud D6/366
D585,656 S * 2/2009 Massaud D6/366

* cited by examiner

Primary Examiner—Mimosa De

(74) *Attorney, Agent, or Firm*—Kratz, Quintos & Hanson,
LLP

(57) **CLAIM**

The ornamental design for a chair seat, as shown and described.

DESCRIPTION

FIG. 1 is a front view of the chair seat of the present invention;

FIG. 2 is a rear view thereof;

FIG. 3 is a right side view thereof, the left side view being a mirror image thereof;

FIG. 4 is a top view thereof;

FIG. 5 is a bottom view thereof;

FIG. 6 is a longitudinal cross-sectional view thereof along line VI—VI of FIG. 1; and,

FIG. 7 is a perspective view thereof.

1 Claim, 4 Drawing Sheets

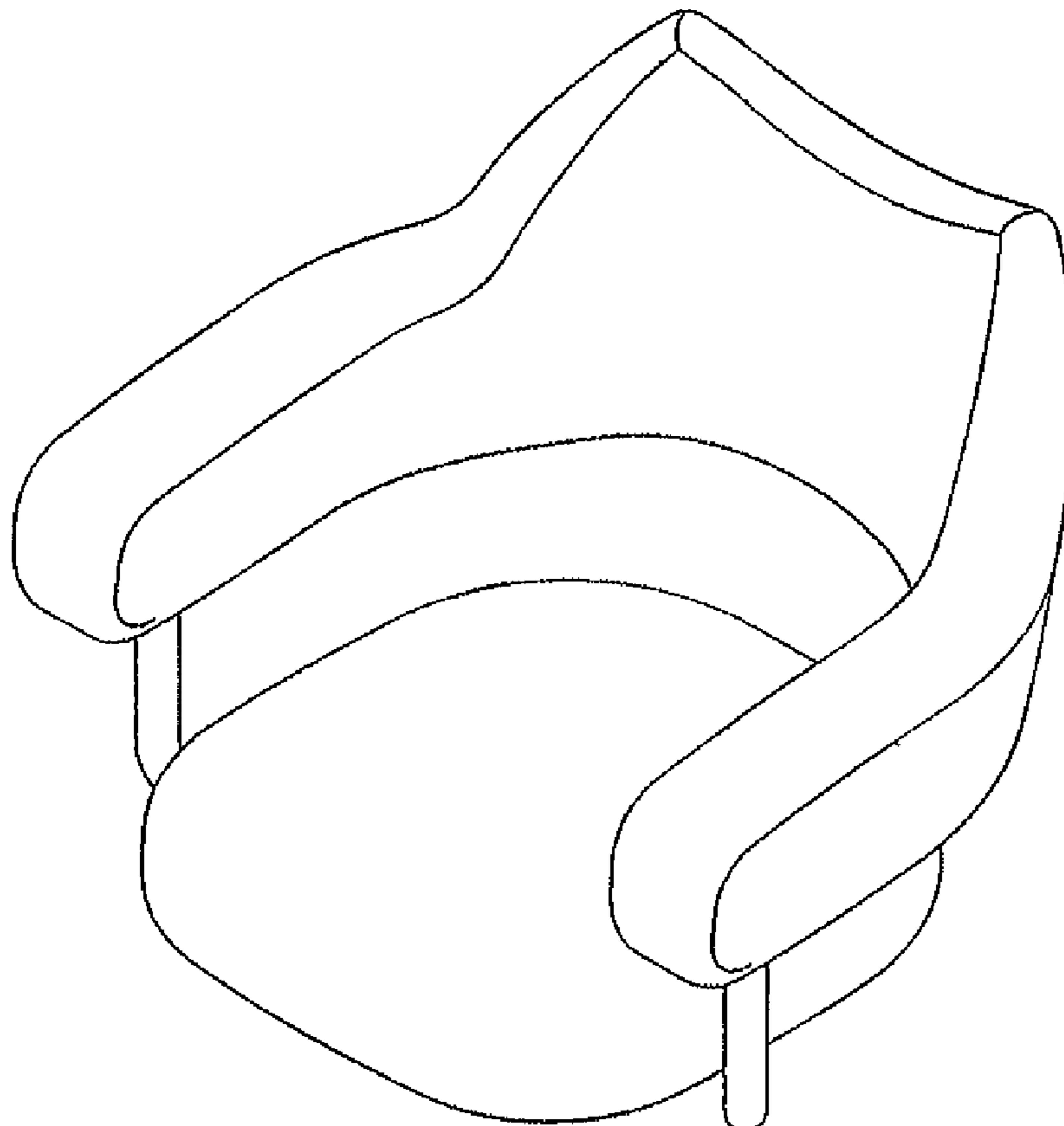


Fig.1

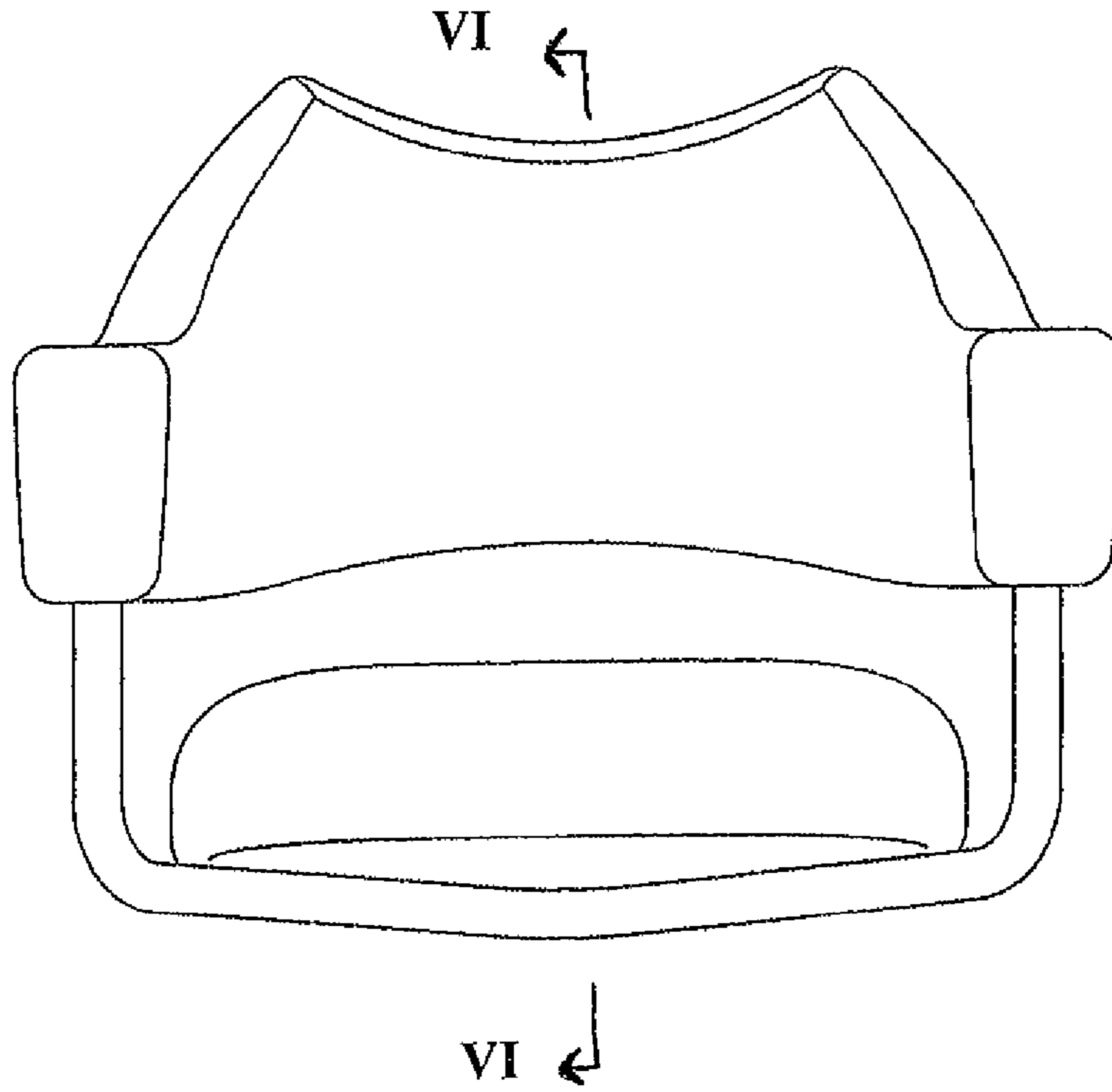


Fig.2

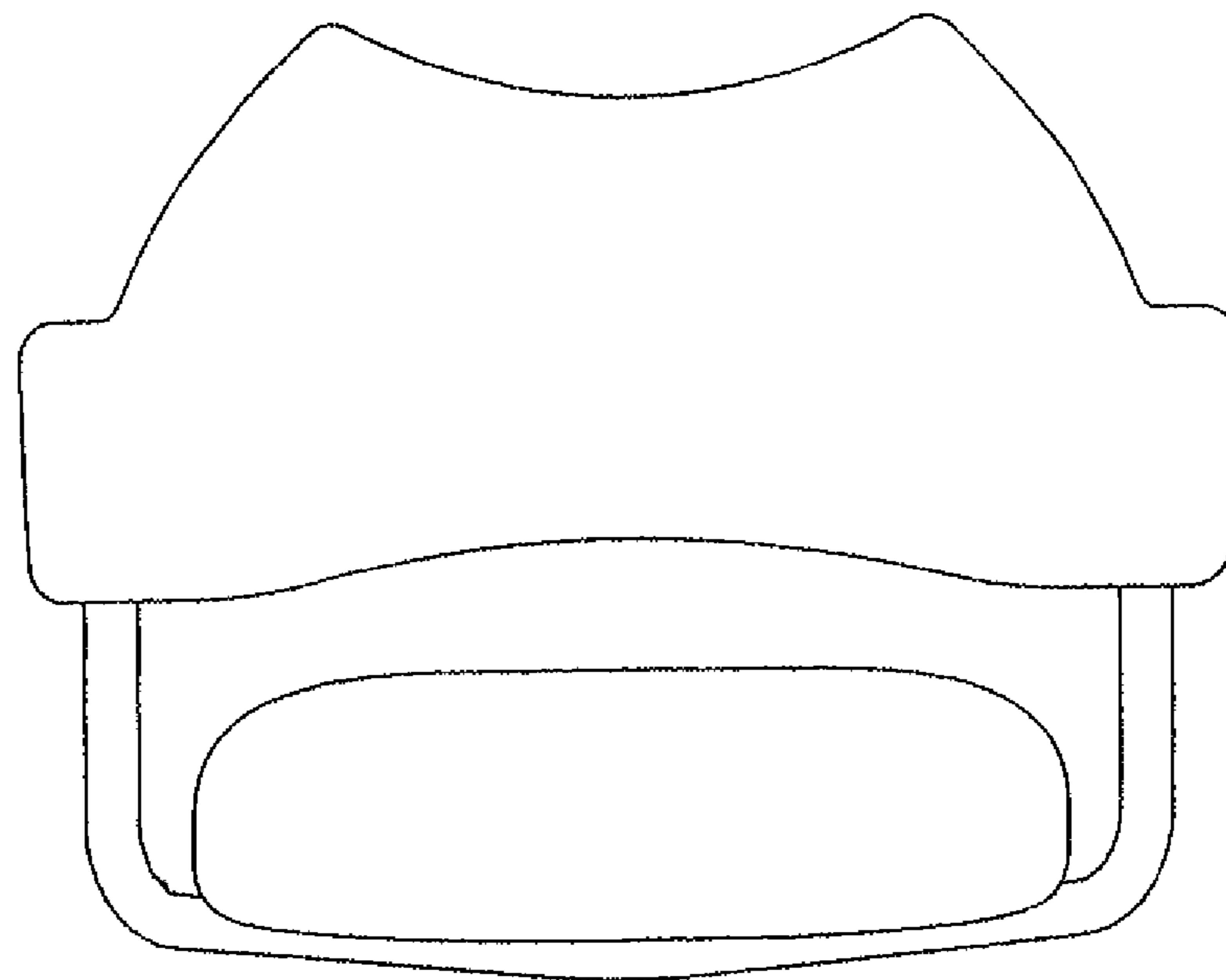


Fig.3

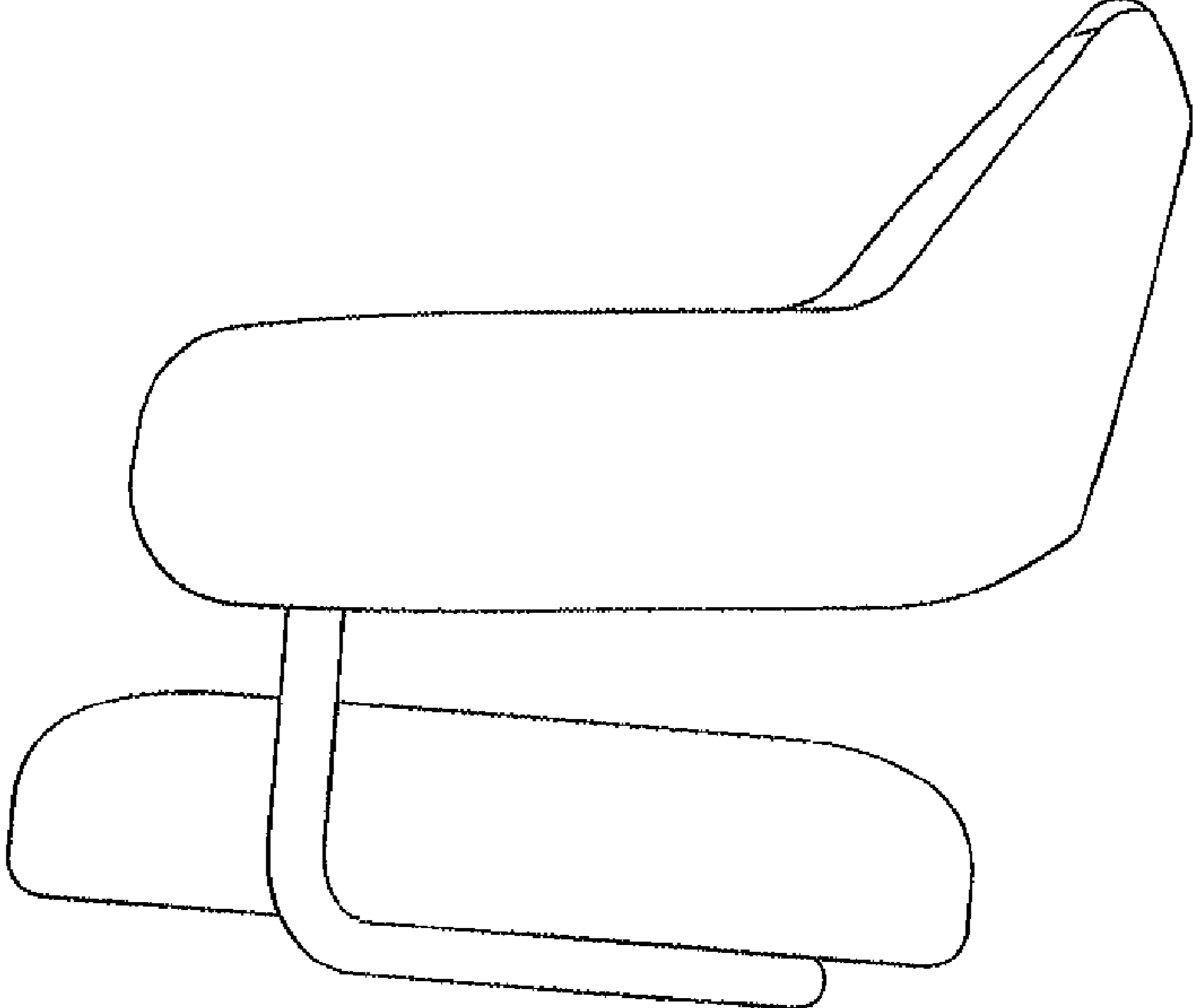


Fig.4

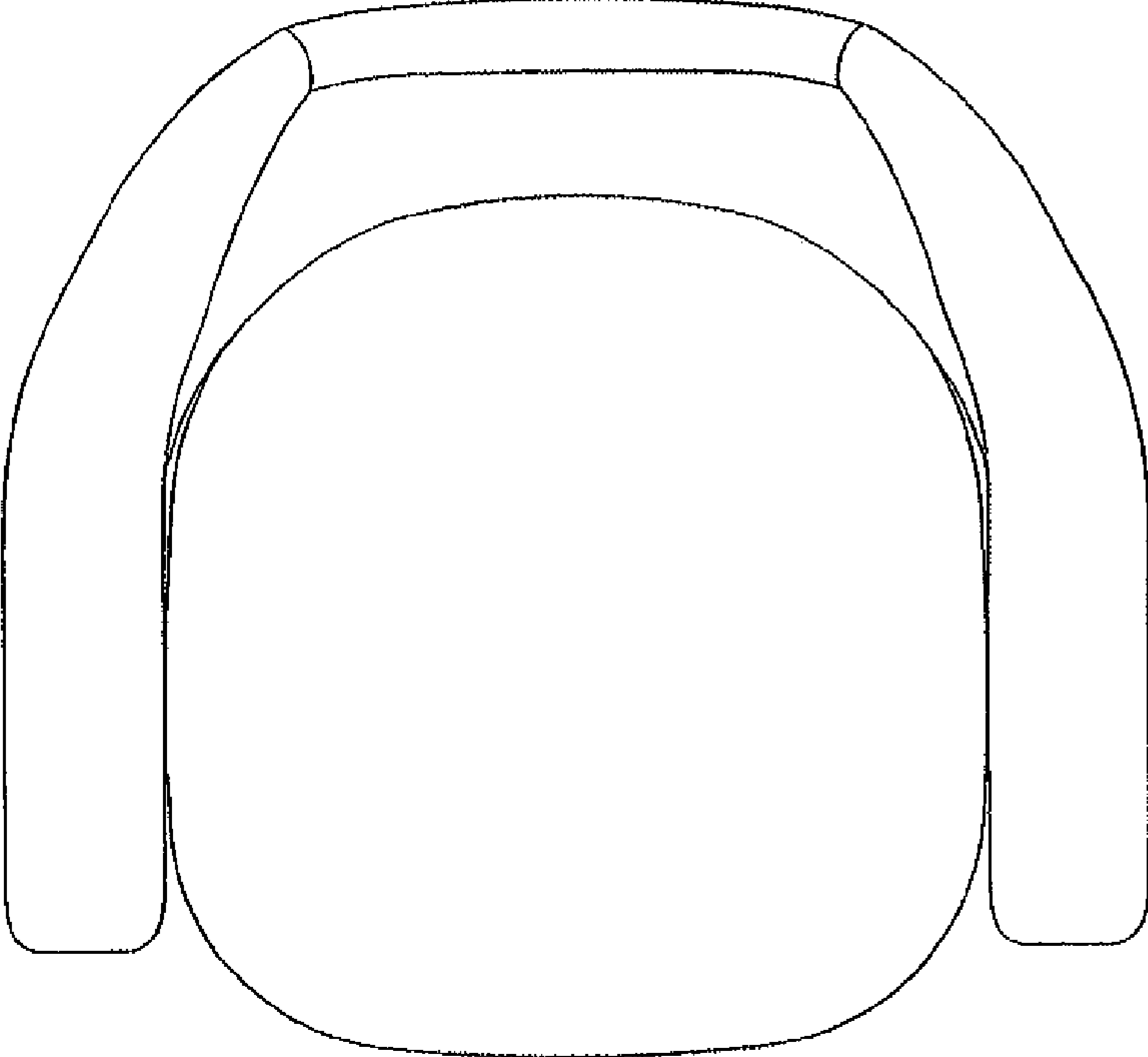


Fig.5

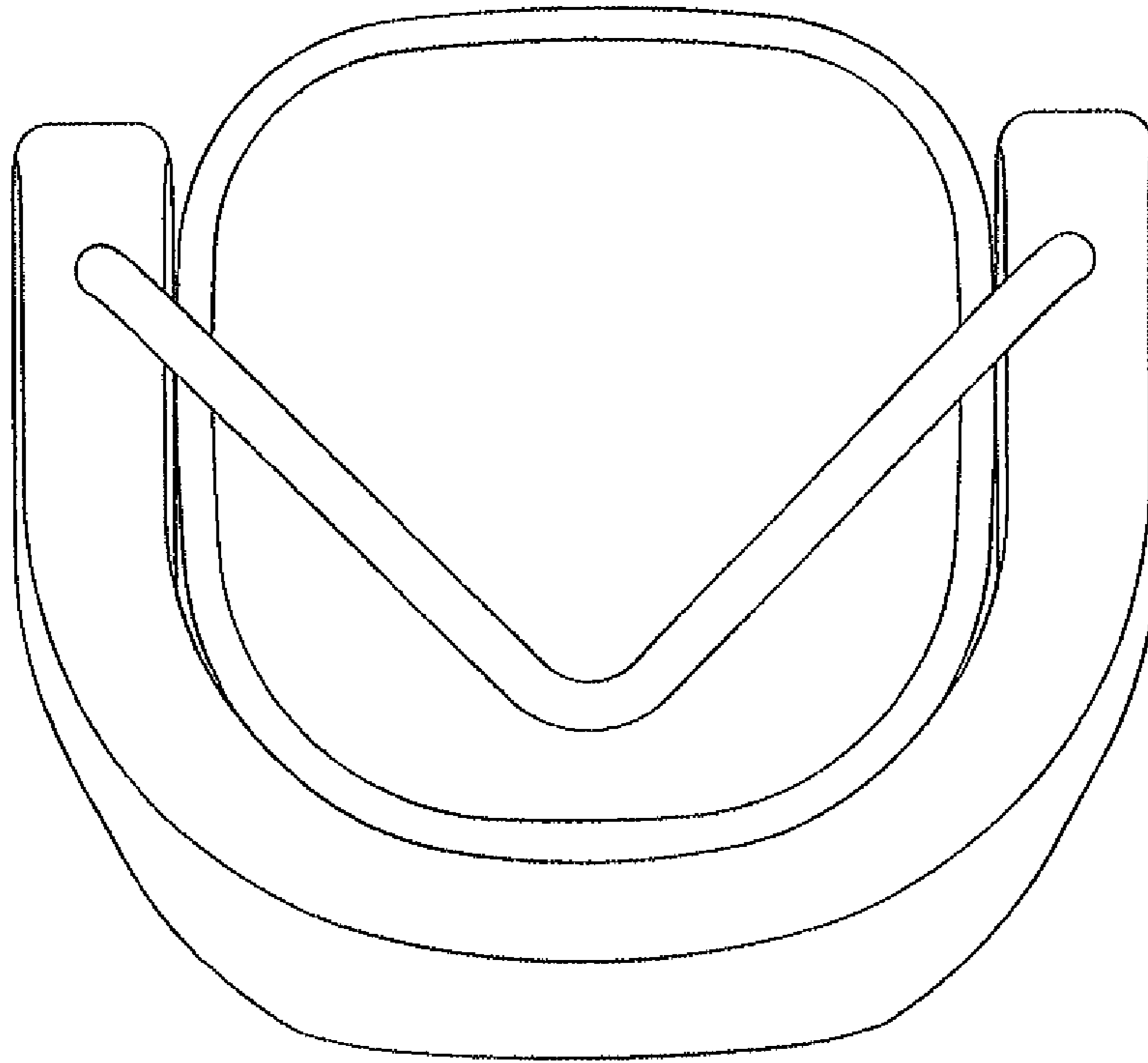


Fig.6

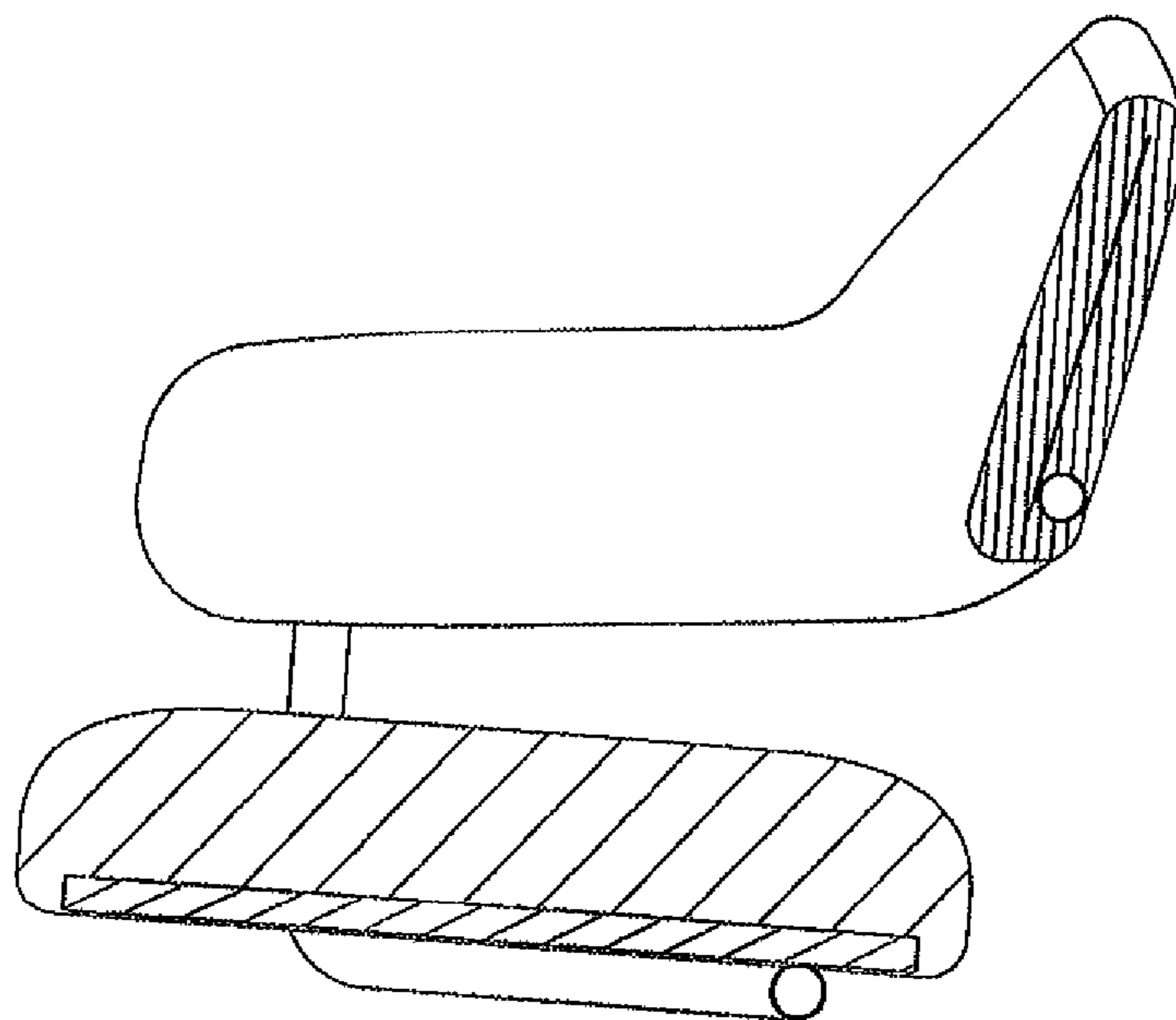


Fig.7

