



US00D610376S

(12) **United States Design Patent**
Matus, Jr.

(10) **Patent No.:** **US D610,376 S**

(45) **Date of Patent:** **** Feb. 23, 2010**

(54) **SUPPORT POST FOR A FOOD GUARD SYSTEM**

(76) **Inventor:** **Jose Orlando Matus, Jr.**, 3860 Jack Wilson Rd., Gainesville, GA (US) 30506

(**) **Term:** **14 Years**

(21) **Appl. No.:** **29/326,270**

(22) **Filed:** **Oct. 15, 2008**

(51) **LOC (9) Cl.** **06-04**

(52) **U.S. Cl.** **D6/491**

(58) **Field of Classification Search** D6/397,
D6/471, 491, 495, 511, 470, 472, 481; 211/85.4;
312/114, 116, 137, 140.4; D8/363, 349,
D8/354, 373; D25/126

See application file for complete search history.

(56) **References Cited**

U.S. PATENT DOCUMENTS

D32,585	S	*	4/1900	Pessano	D8/363
D65,500	S	*	8/1924	Schmale	D7/402
D114,696	S	*	5/1939	Connors	D8/373
D144,085	S	*	3/1946	Van Doren	D8/381
2,834,621	A	*	5/1958	Schroer	403/188
D231,351	S	*	4/1974	Preston	D15/138
D273,547	S	*	4/1984	Taub	D6/491
D283,657	S	*	5/1986	Chaplin et al.	D6/511
D301,832	S	*	6/1989	Hathaway	D8/349
D346,516	S	*	5/1994	D'Anna et al.	D6/511
D376,307	S	*	12/1996	Burgasser et al.	D8/349
D377,429	S	*	1/1997	Olson	D6/491
D392,131	S	*	3/1998	Flagg	D6/511
6,010,103	A	*	1/2000	Ashworth	248/301

D420,235	S	*	2/2000	Cordero	D6/512
7,040,723	B2	*	5/2006	Matus, Jr.	312/140.4
D529,788	S	*	10/2006	Peters	D8/354
D575,560	S	*	8/2008	English	D6/491
2002/0074907	A1	*	6/2002	Elmer	312/140
2007/0090733	A1	*	4/2007	Matus	312/140.4

* cited by examiner

Primary Examiner—Janice E Seeger

Assistant Examiner—Zenia I Bennett

(74) *Attorney, Agent, or Firm*—Daniel J. Santos

(57) **CLAIM**

The ornamental design for a support post for a food guard system, as shown and described.

DESCRIPTION

FIG. 1 illustrates a perspective view of the support post secured to a food guard shield.

FIG. 2 illustrates a left-side perspective view of the support post shown in FIG. 1.

FIG. 3 illustrates a top plan view of the support post shown in FIG. 2.

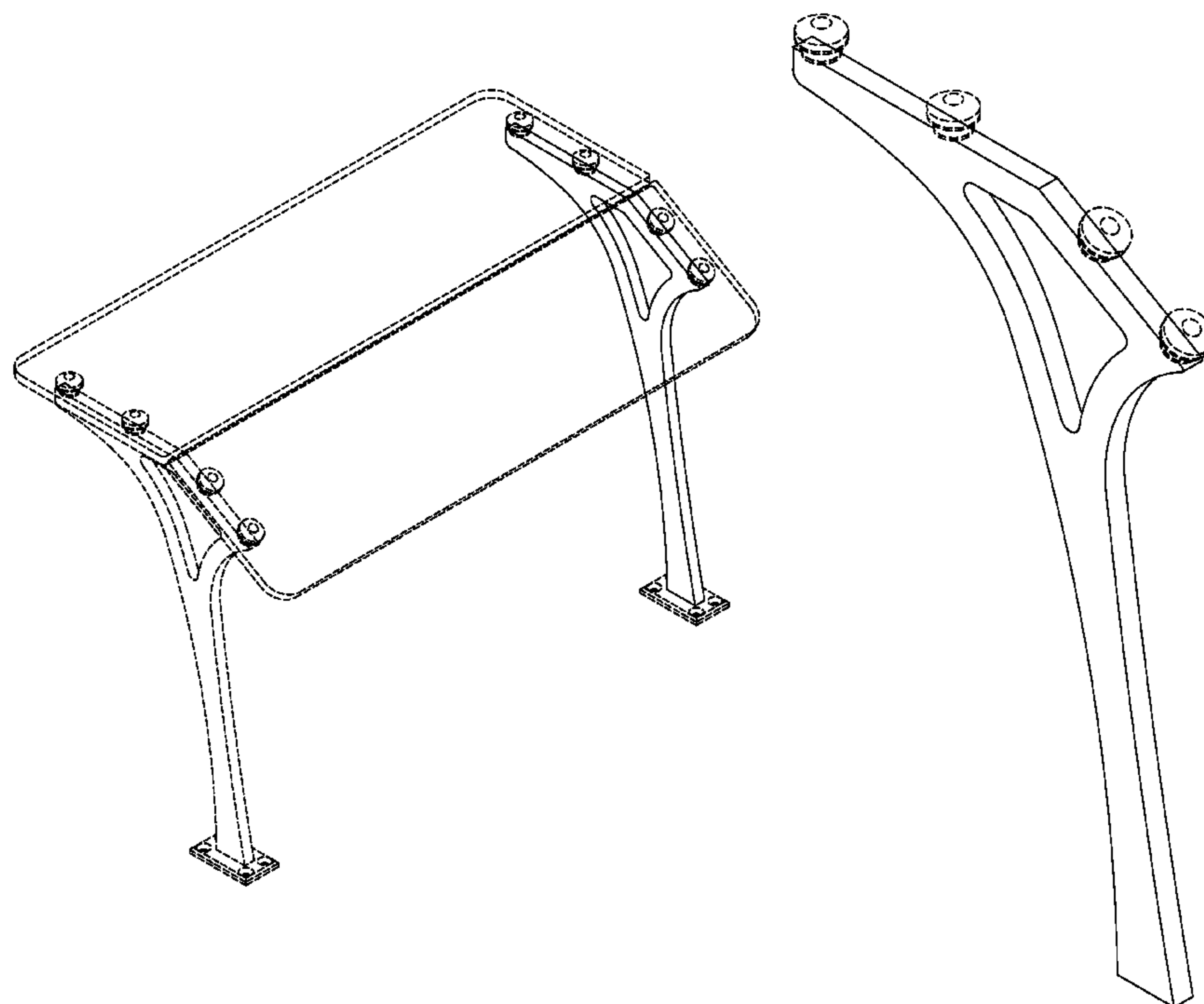
FIG. 4 illustrates a side plan view of the support post shown in FIG. 2.

FIG. 5 illustrates a bottom plan view of the support post shown in FIG. 2; and,

FIG. 6 illustrates a front plan view of the support post shown in FIG. 2.

The broken lines in the drawings are for illustrative purposes only and form no part of the claimed design.

1 Claim, 6 Drawing Sheets



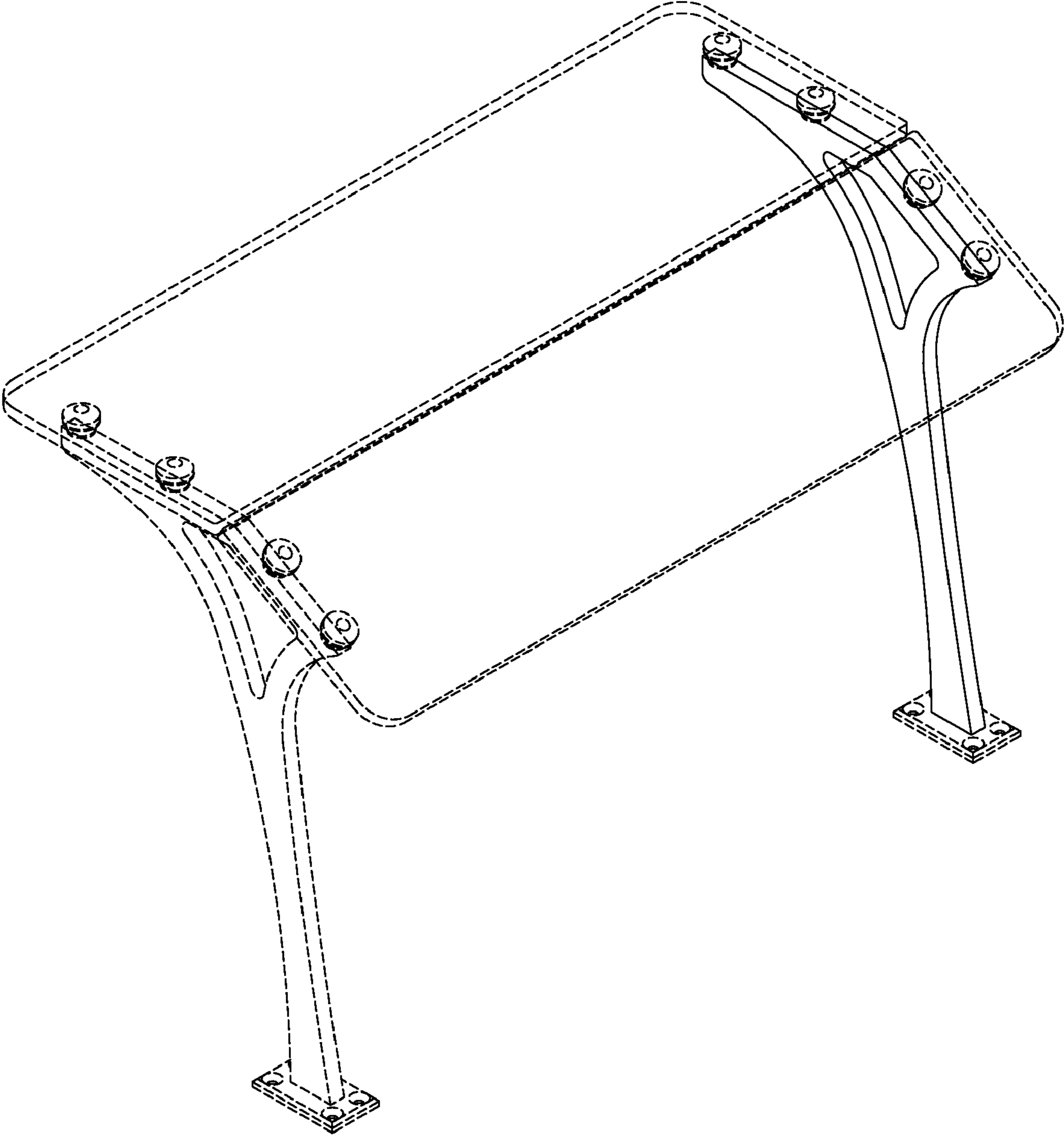


Fig 1

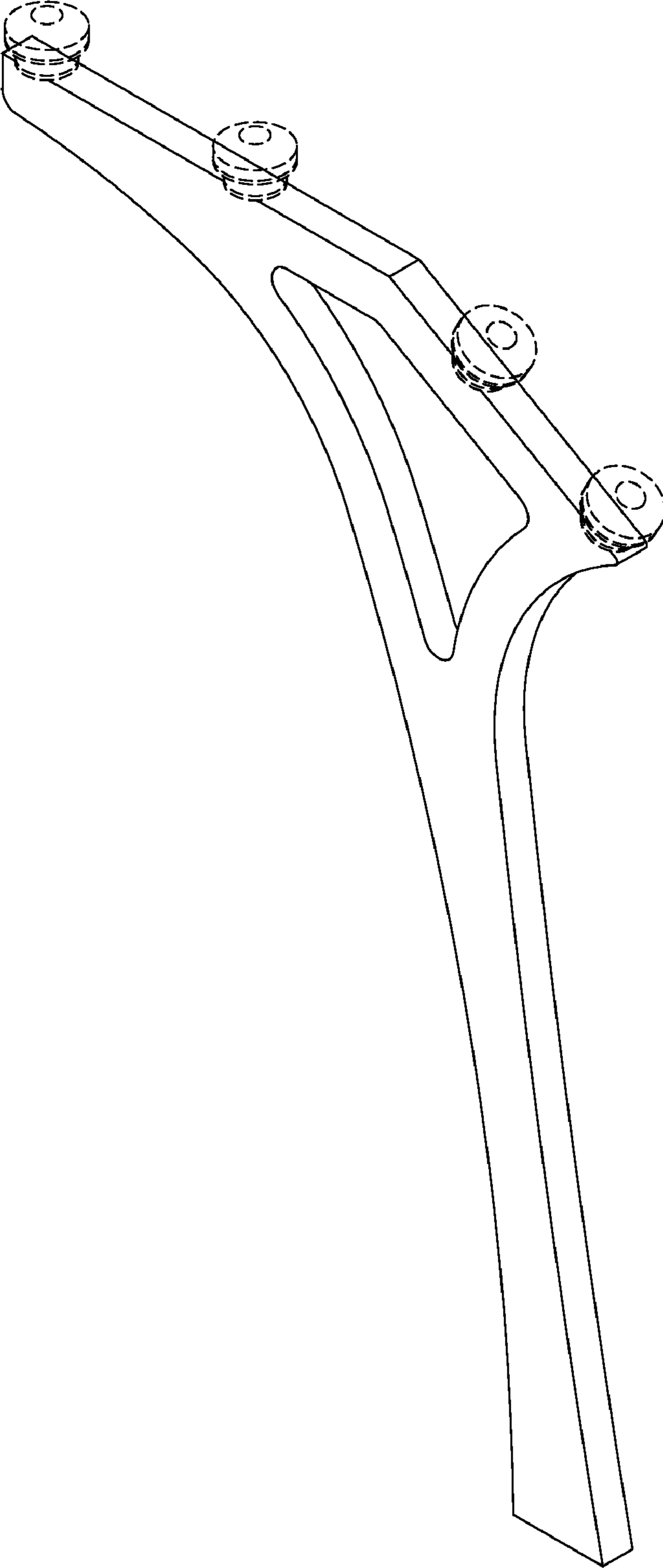


Fig 2

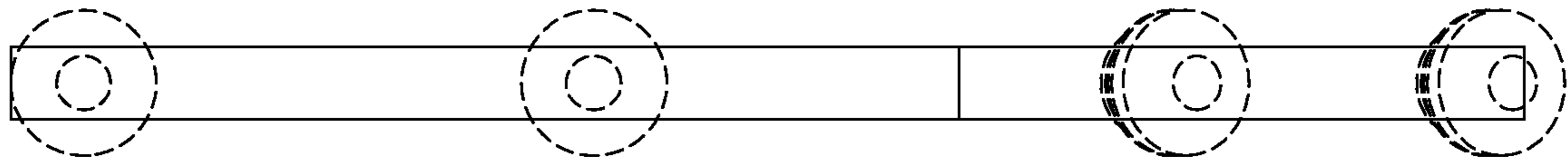


Fig 3

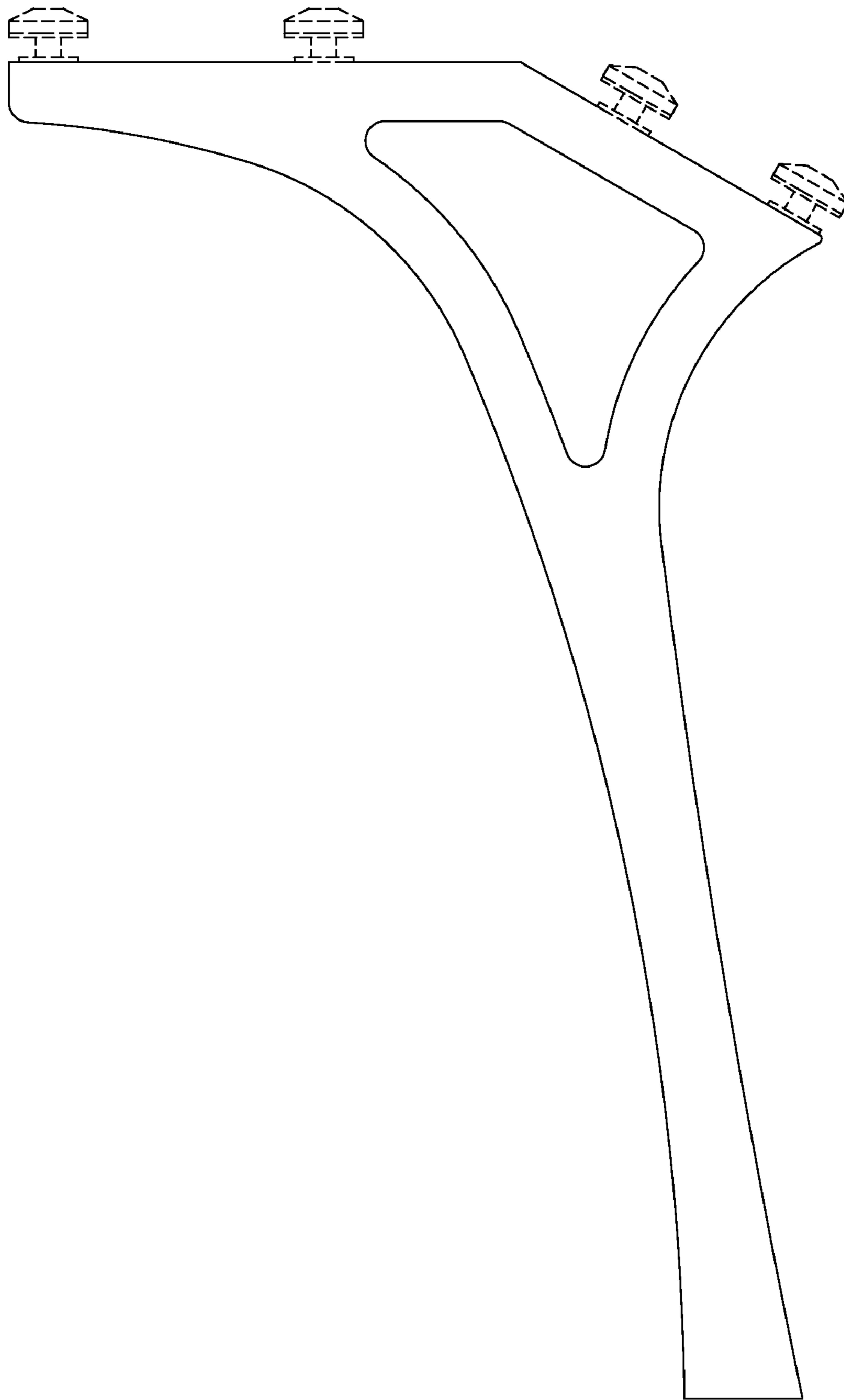


Fig 4

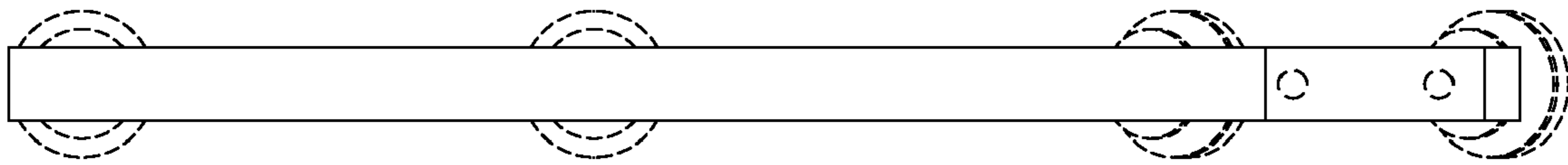


Fig 5

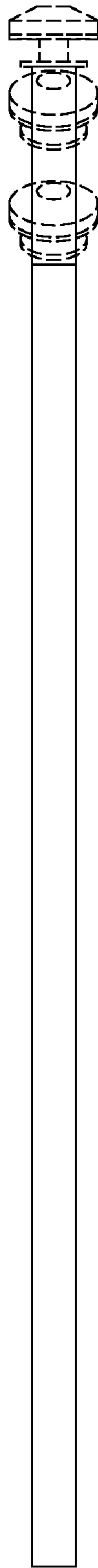


Fig 6