



US00D610375S

(12) **United States Design Patent**  
**Matus, Jr.**

(10) **Patent No.:** **US D610,375 S**

(45) **Date of Patent:** **\*\* Feb. 23, 2010**

(54) **SUPPORT POST FOR A FOOD GUARD SYSTEM**

(76) **Inventor:** **Jose Orlando Matus, Jr.**, 3860 Jack Wilson Rd., Gainesville, GA (US) 30506

(\*\*) **Term:** **14 Years**

(21) **Appl. No.:** **29/326,267**

(22) **Filed:** **Oct. 15, 2008**

(51) **LOC (9) Cl.** ..... **06-04**

(52) **U.S. Cl.** ..... **D6/491**

(58) **Field of Classification Search** ..... D6/397,  
D6/471, 491, 495, 511, 470, 472, 481; 211/85.4;  
312/114, 116, 137, 140.4; D8/363, 349,  
D8/354, 373; D25/126

See application file for complete search history.

(56) **References Cited**

**U.S. PATENT DOCUMENTS**

D32,585 S *	4/1900	Pessano	.....	D8/363
D65,500 S *	8/1924	Schmale	.....	D7/402
D114,696 S *	5/1939	Connors	.....	D8/373
D144,085 S *	3/1946	Van Doren	.....	D8/381
2,834,621 A *	5/1958	Shroer	.....	403/188
D231,351 S *	4/1974	Preston	.....	D15/138
D273,547 S *	4/1984	Taub	.....	D6/491
D283,657 S *	5/1986	Chaplin et al.	.....	D6/511
D301,832 S *	6/1989	Hathaway	.....	D8/349
D346,516 S *	5/1994	D'Anna et al.	.....	D6/511
D376,307 S *	12/1996	Burgasser et al.	.....	D8/349
D377,429 S *	1/1997	Olson	.....	D6/491
D392,131 S *	3/1998	Flagg	.....	D6/511
6,010,103 A *	1/2000	Ashworth	.....	248/301

D420,235 S *	2/2000	Cordero	.....	D6/512
7,040,723 B2 *	5/2006	Matus, Jr.	.....	312/140.4
D529,788 S *	10/2006	Peters	.....	D8/354
D575,560 S *	8/2008	English	.....	D6/491
2002/0074907 A1 *	6/2002	Elmer	.....	312/140
2007/0090733 A1 *	4/2007	Matus	.....	312/140.4

\* cited by examiner

*Primary Examiner*—Janice E Seeger

*Assistant Examiner*—Zenia I Bennett

(74) *Attorney, Agent, or Firm*—Daniel J. Santos

(57) **CLAIM**

The ornamental design for a support post for a food guard system, as shown and described.

**DESCRIPTION**

FIG. 1 illustrates a perspective view of the support post secured to a food guard shield.

FIG. 2 illustrates a left-side perspective view of the support post shown in FIG. 1.

FIG. 3 illustrates a top plan view of the support post shown in FIG. 2.

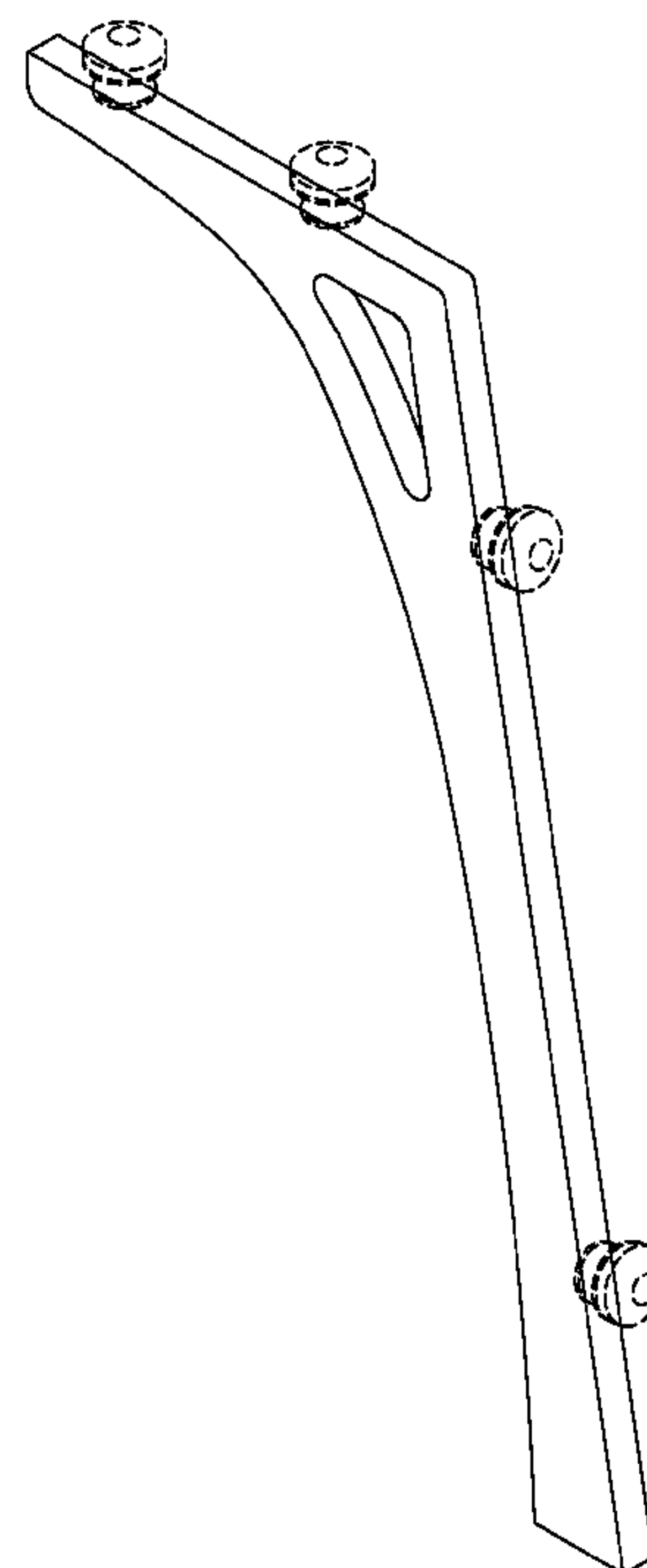
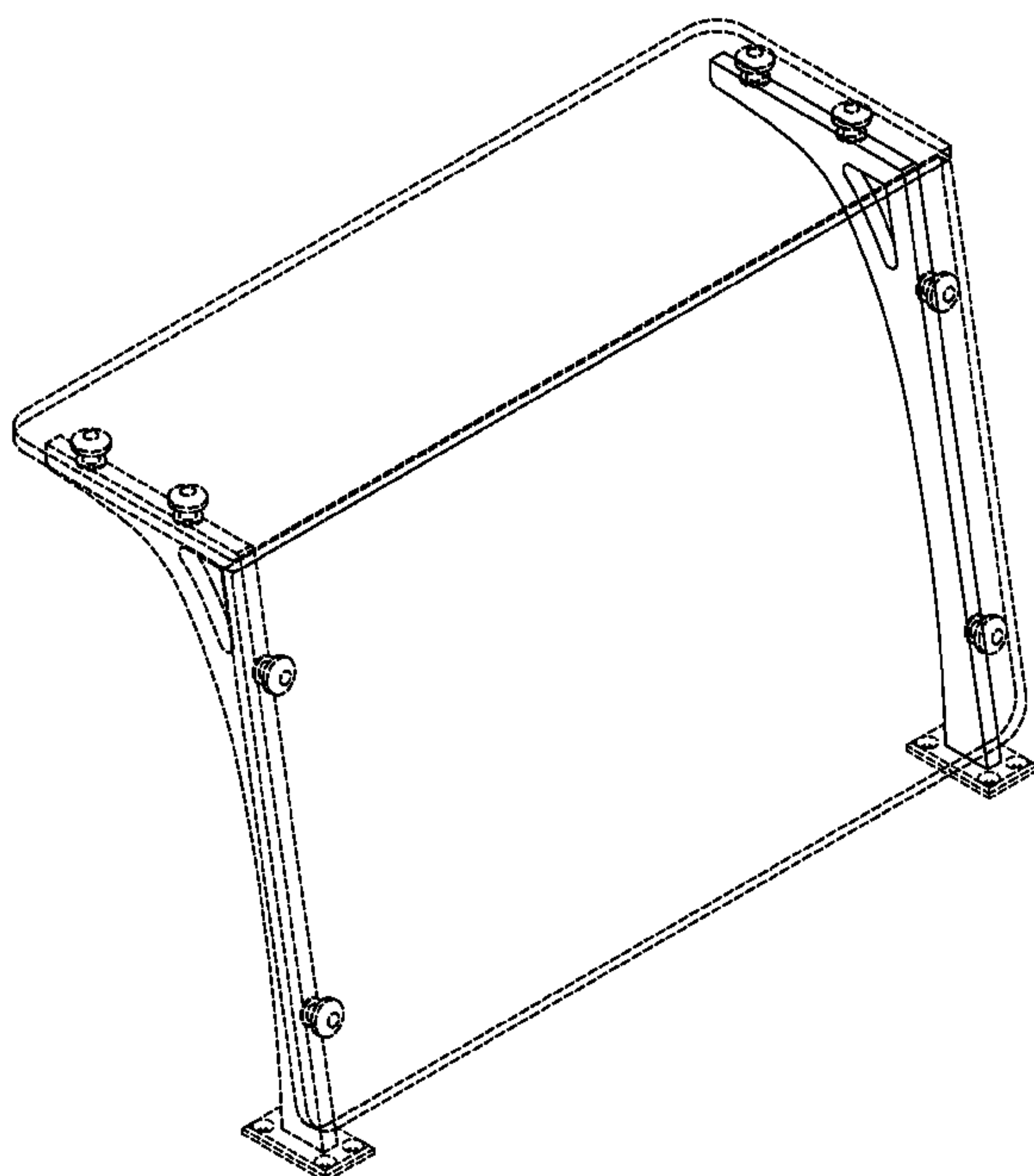
FIG. 4 illustrates a side plan view of the support post shown in FIG. 2.

FIG. 5 illustrates a bottom plan view of the support post shown in FIG. 2; and,

FIG. 6 illustrates a front plan view of the support post shown in FIG. 2.

The broken lines in the drawings are for illustrative purposes only and form no part of the claimed design.

**1 Claim, 6 Drawing Sheets**



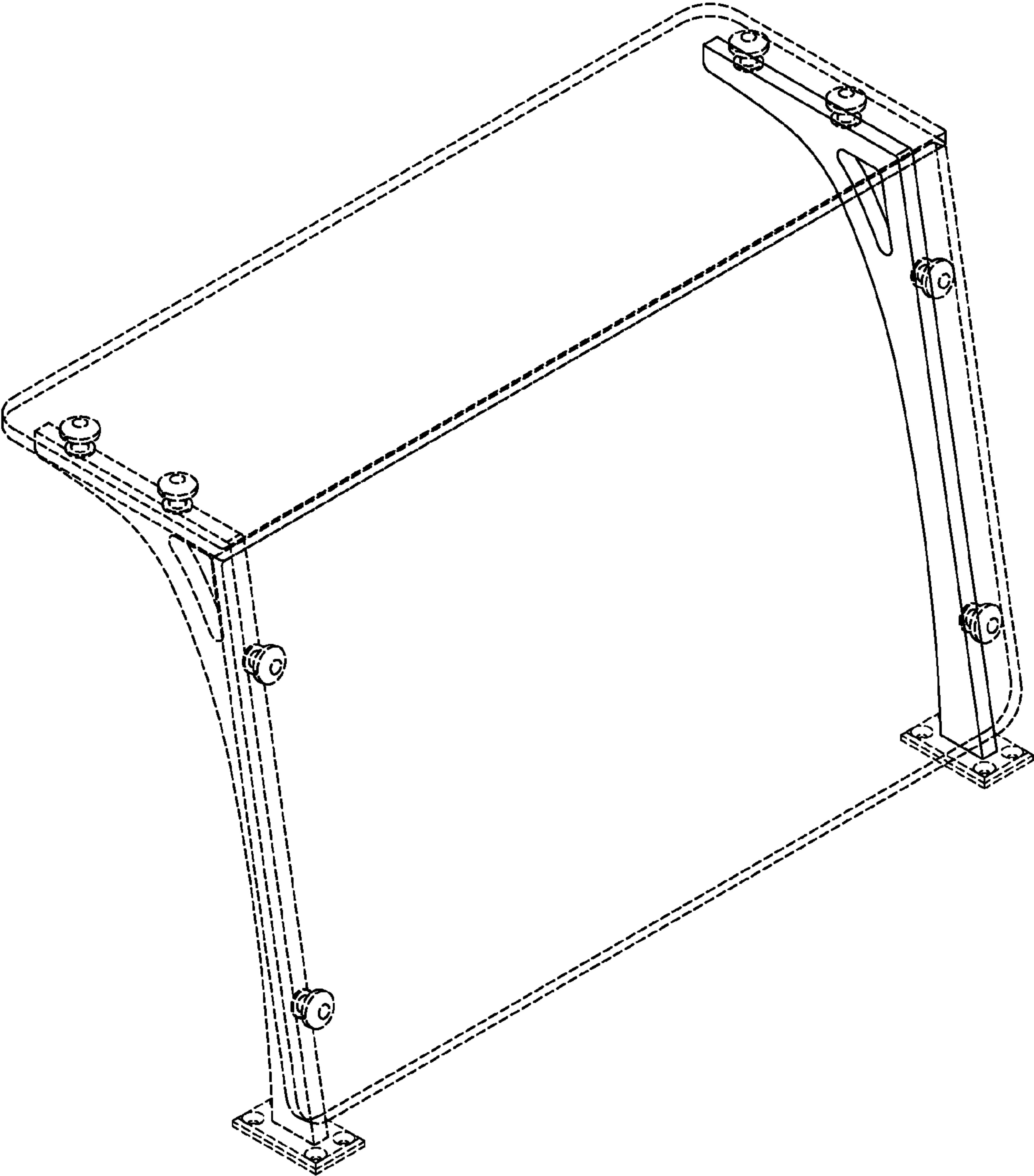


Fig 1

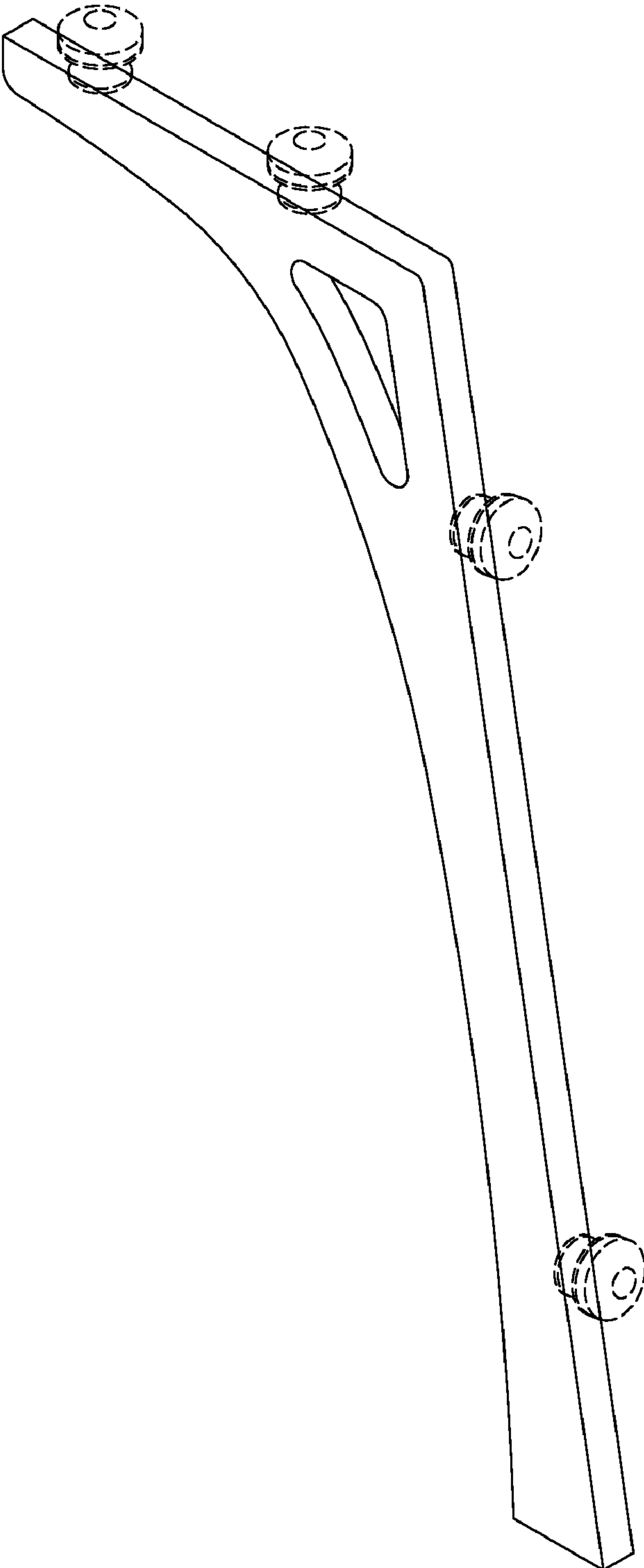


Fig 2

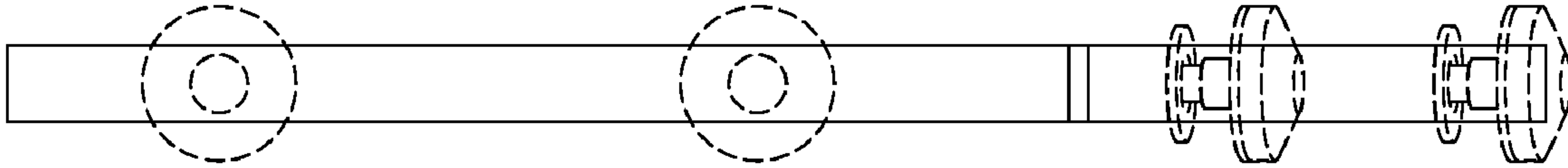


Fig 3

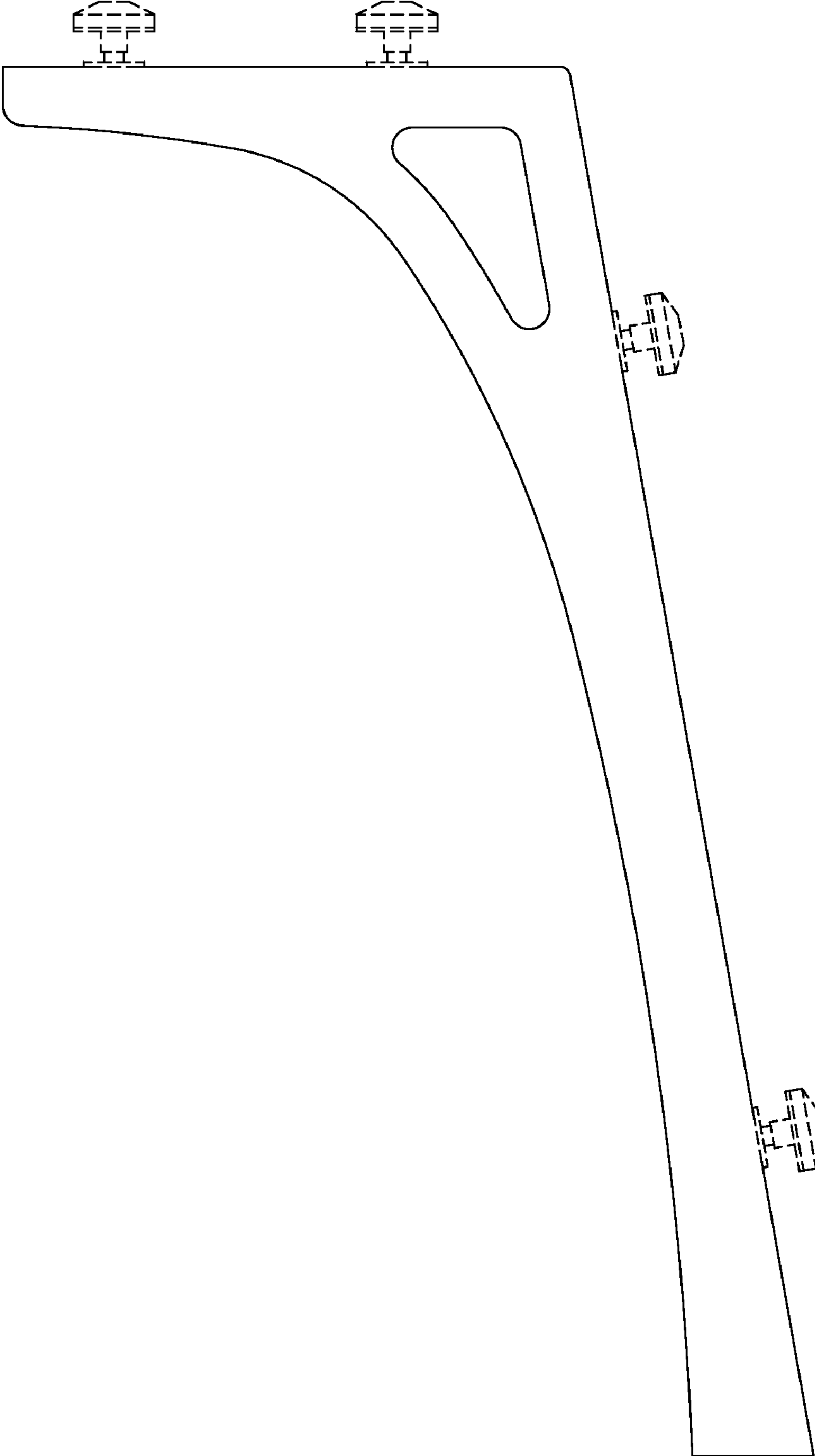


Fig 4

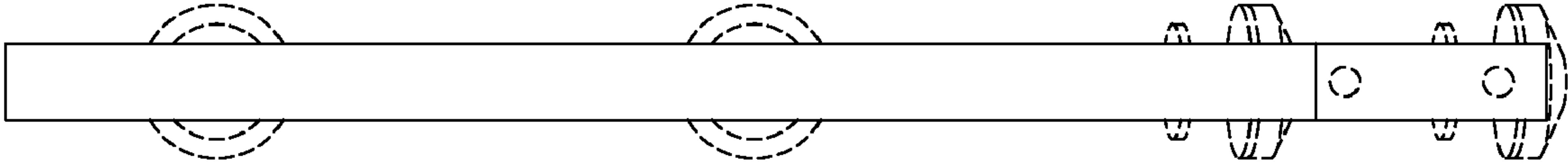


Fig 5

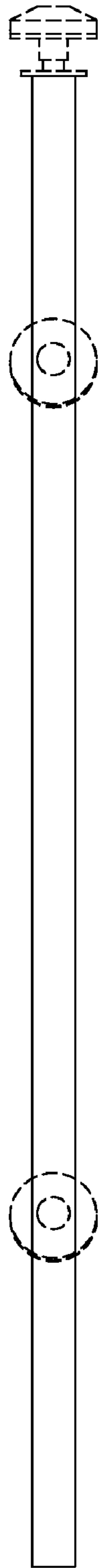


Fig 6