



US00D610371S

(12) **United States Design Patent**
Nielsen

(10) **Patent No.:** **US D610,371 S**

(45) **Date of Patent:** **** Feb. 23, 2010**

(54) **GAMING TOWER CONSOLE**

D528,341 S * 9/2006 Lau D6/630
D528,843 S * 9/2006 Kwok D6/630

(75) Inventor: **Britta Claire Nielsen**, Seattle, WA (US)

* cited by examiner

(73) Assignee: **Slam Brands, Inc.**, Redmond, WA (US)

Primary Examiner—Philip S Hyder

Assistant Examiner—Sydney R Buffalow

(**) Term: **14 Years**

(74) *Attorney, Agent, or Firm*—Graham & Dunn PC;
Kathleen T. Petrich

(21) Appl. No.: **29/341,121**

(22) Filed: **Jul. 30, 2009**

(57) **CLAIM**

(51) **LOC (9) Cl.** **06-04**

The ornamental design for a gaming tower console, as shown and described.

(52) **U.S. Cl.** **D6/457; D6/629**

(58) **Field of Classification Search** D6/629–630,
D6/467, 466, 450, 457, 301, 407, 449, 397,
D6/396, 476, 477, 462, 570–572, 556, 567;
D32/55, 58; 211/40, 41.12, 44, 41.18, 181.1;
206/307.1, 307, 308.1, 445, 987.15

See application file for complete search history.

DESCRIPTION

FIG. 1 is a top isometric view of the ornamental features of the invention and illustrating placement of a logo or other indicia in phantom, the specific logo or indicia not comprising the invention;

(56) **References Cited**

U.S. PATENT DOCUMENTS

D337,668	S	*	7/1993	van der Molen	D6/407
5,730,300	A	*	3/1998	Chen	211/40
D396,580	S	*	8/1998	Harper	D6/467
D396,774	S	*	8/1998	Domenget	D6/629
D405,309	S	*	2/1999	Mok	D6/630
D457,754	S	*	5/2002	Fiscus et al.	D6/466
D470,663	S	*	2/2003	Palmer et al.	D6/301
D510,225	S	*	10/2005	Kwok	D6/629

FIG. 2 is a bottom rear isometric view thereof;

FIG. 3 is a rear view thereof;

FIG. 4 is a front view thereof;

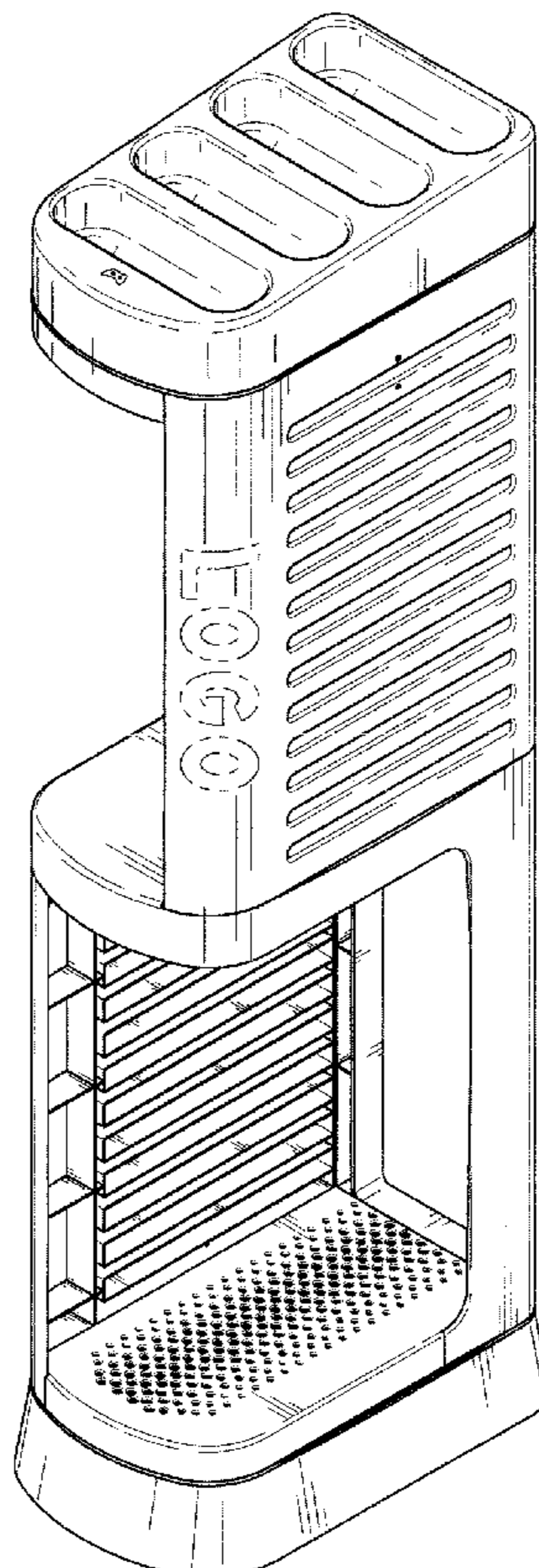
FIG. 5 is a left side elevation thereof;

FIG. 6 is a right side elevation thereof;

FIG. 7 is a top plan view thereof; and,

FIG. 8 is a bottom plan view thereof.

1 Claim, 4 Drawing Sheets



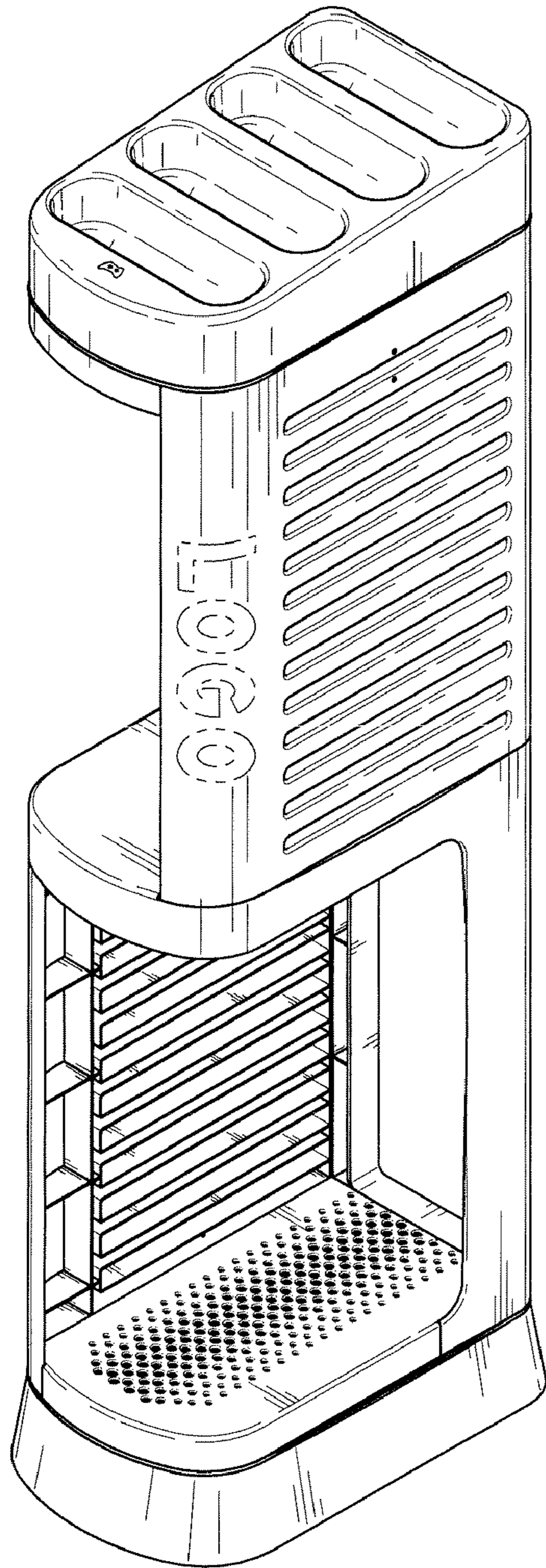


Fig. 1

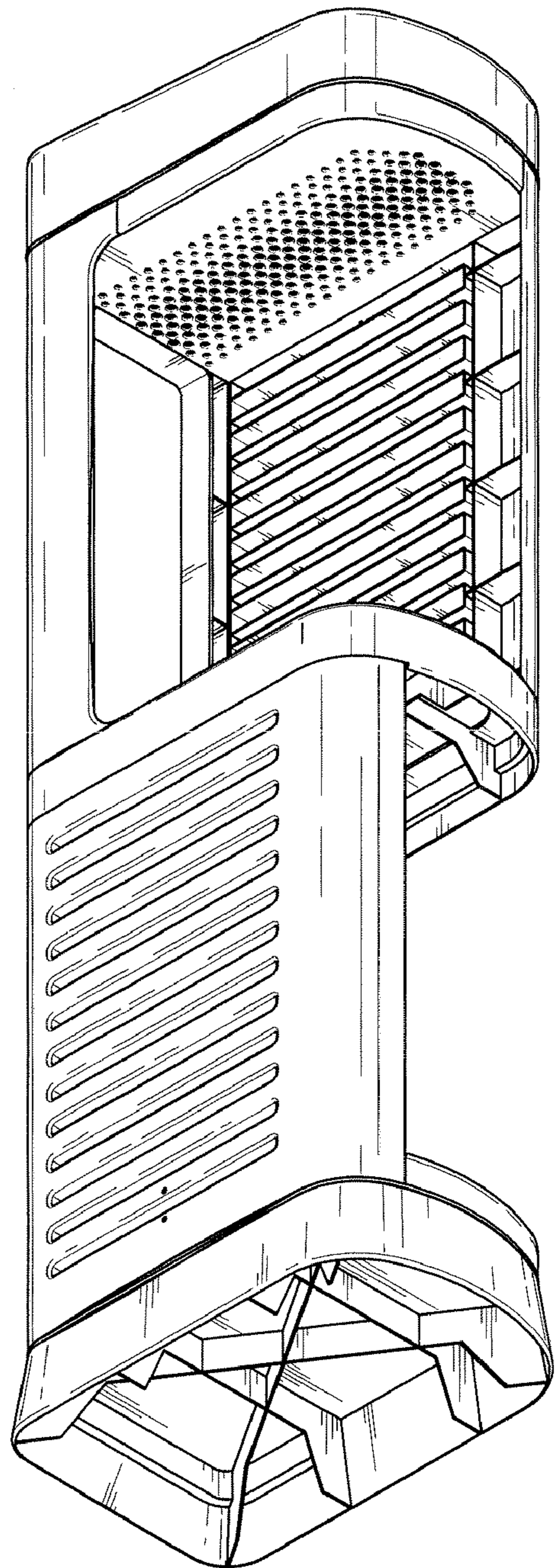


Fig. 2

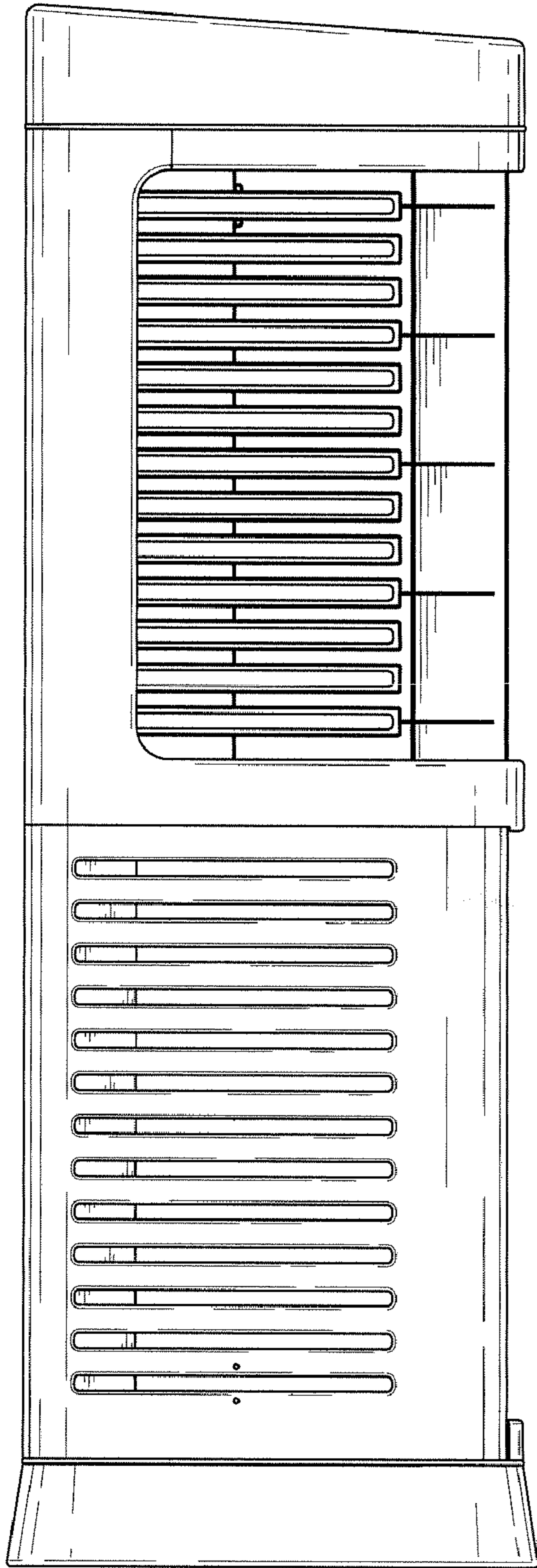


Fig. 3

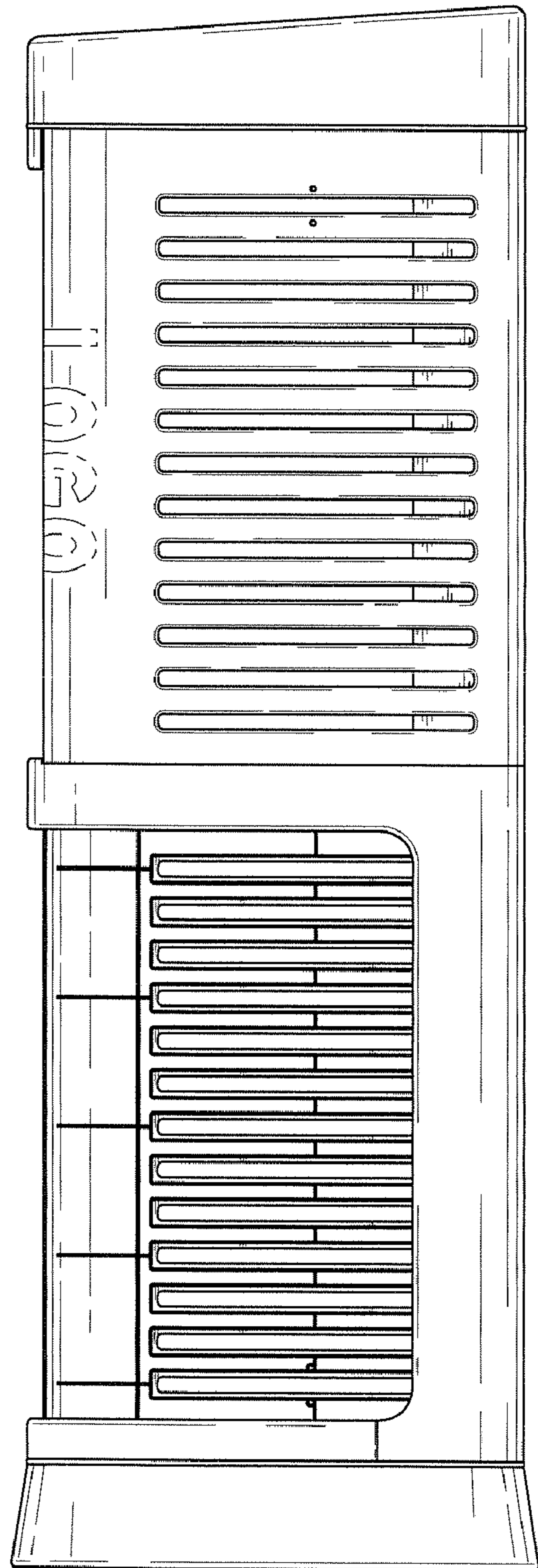


Fig. 4

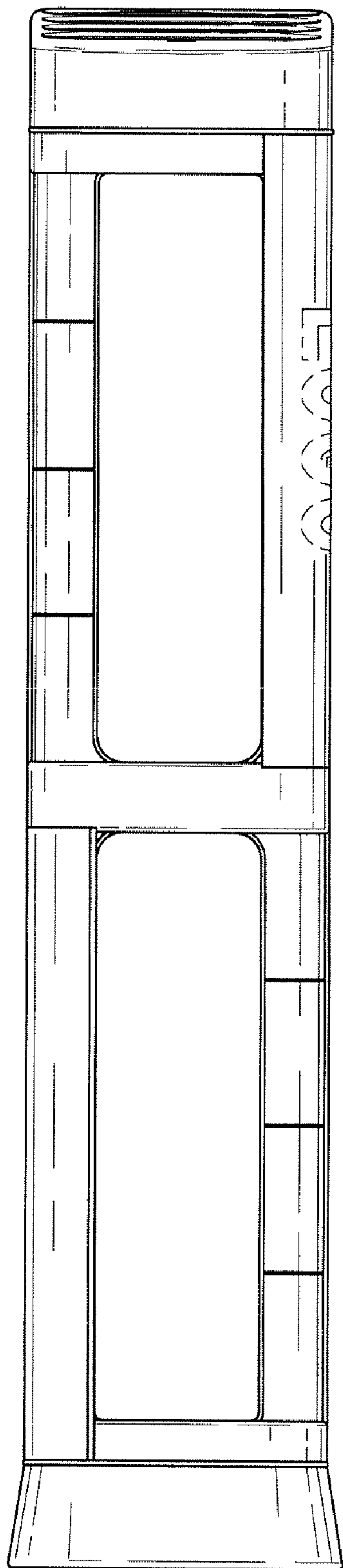


Fig. 5

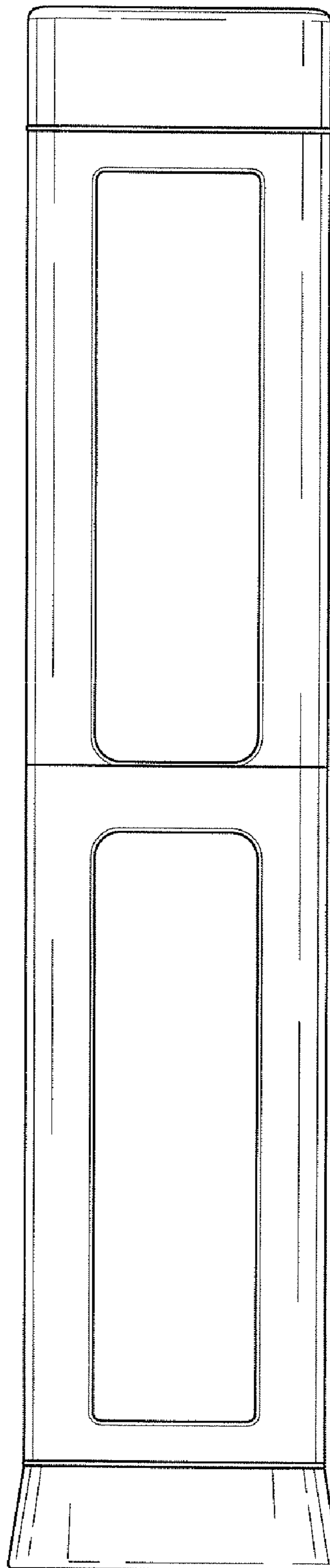


Fig. 6

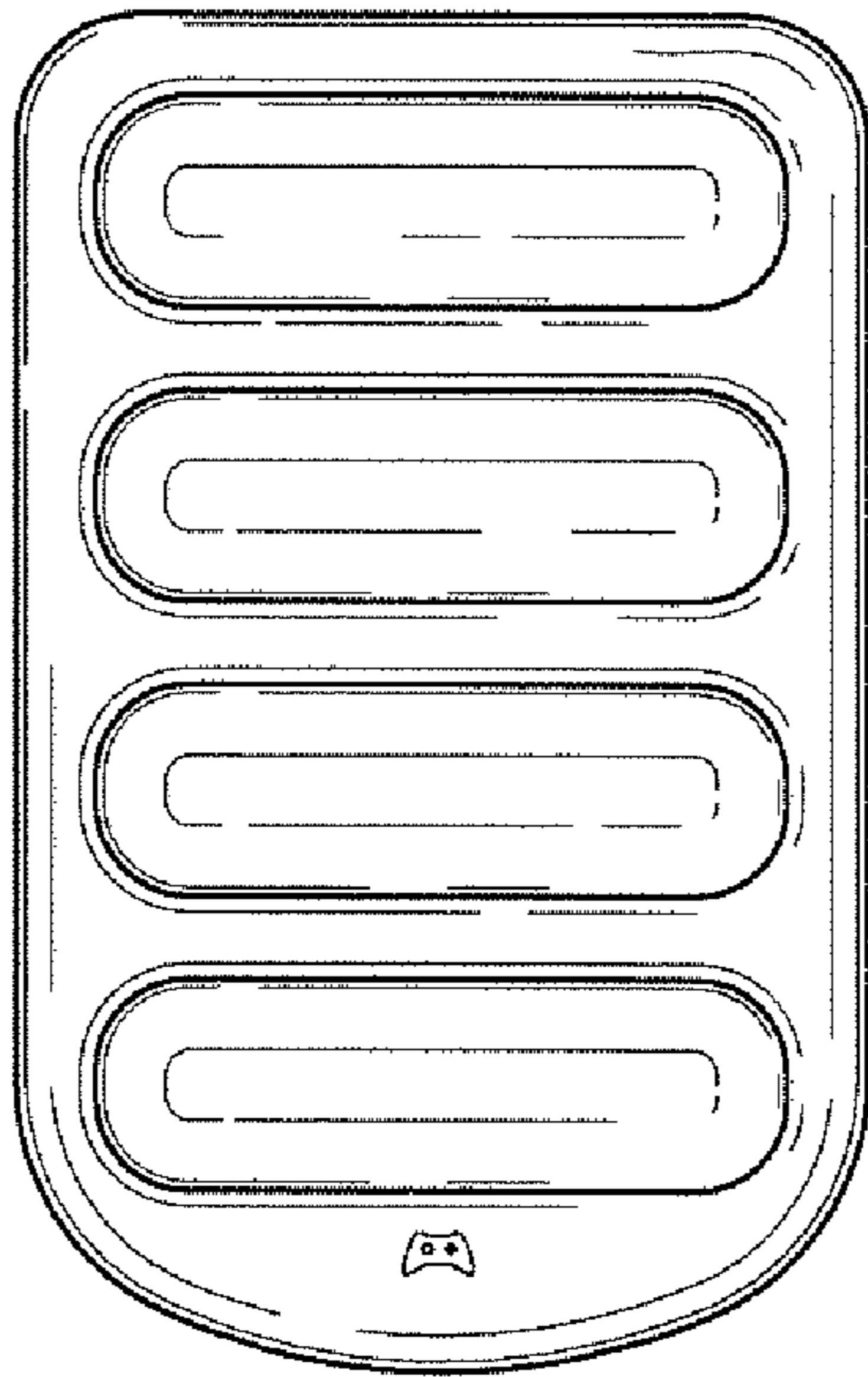


Fig. 7

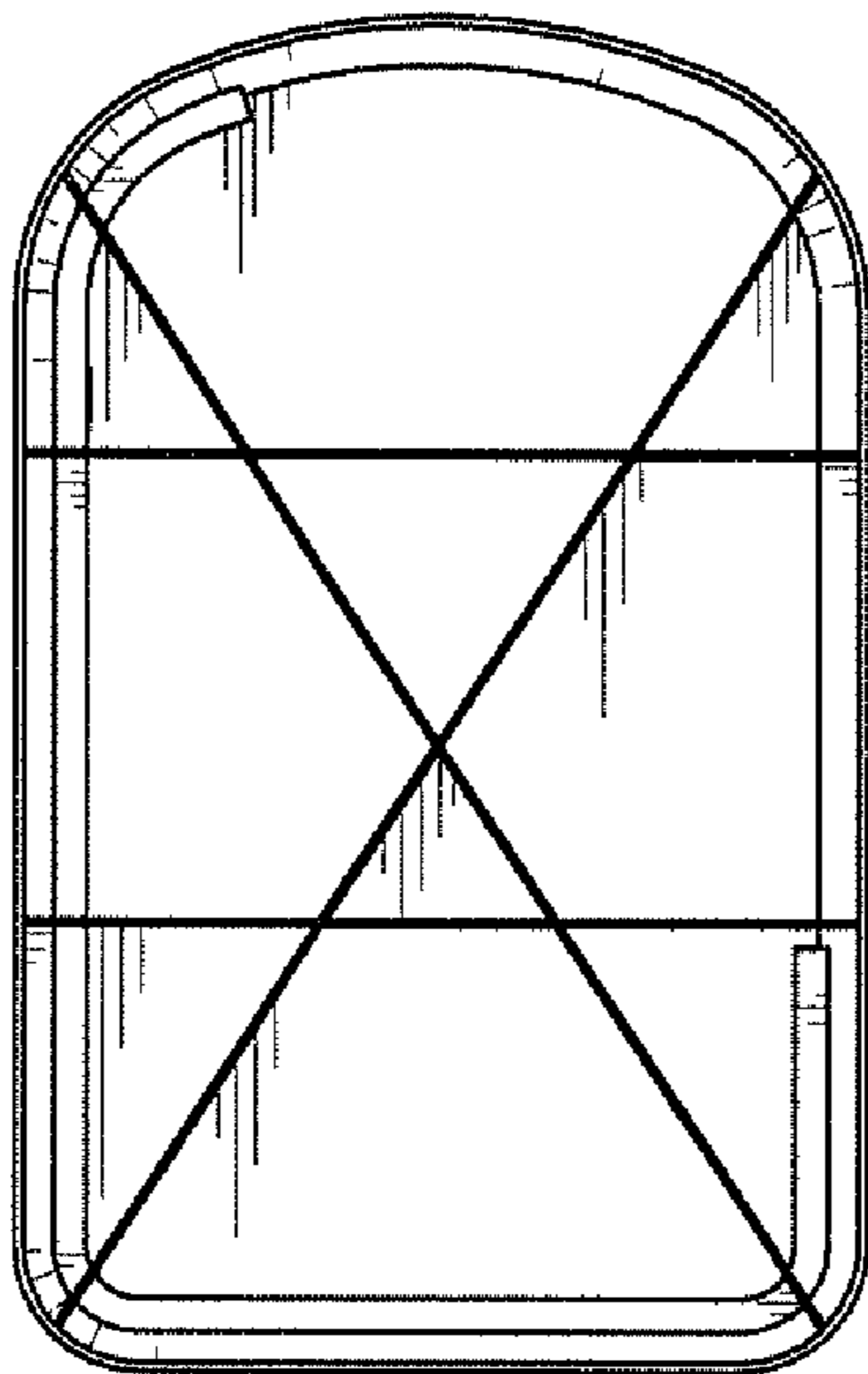


Fig. 8