



US00D610370S

(12) **United States Design Patent**  
**Quan**

(10) **Patent No.:** **US D610,370 S**

(45) **Date of Patent:** **\*\* Feb. 23, 2010**

(54) **JEWELRY TREE**

(75) Inventor: **David Shaw Quan**, Toronto (CA)

(73) Assignee: **Umbra LLC**, Buffalo, NY (US)

(\*\*) Term: **14 Years**

(21) Appl. No.: **29/337,899**

(22) Filed: **Jun. 1, 2009**

(51) **LOC (9) Cl.** ..... **06-04**

(52) **U.S. Cl.** ..... **D6/455**

(58) **Field of Classification Search** ..... D6/411,  
D6/450, 451, 458, 415, 453, 403, 457, 455,  
D6/496, 397, 413; 312/204; 211/13.1, 85.3,  
211/205, 34; 248/176.1; D24/128

See application file for complete search history.

(56) **References Cited**

**U.S. PATENT DOCUMENTS**

D147,562 S *	9/1947	Kirkpatrick	.....	D6/411
3,357,570 A	12/1967	Hagle, Sr. et al.		
3,421,762 A	1/1969	Paradise		
3,997,050 A	12/1976	Patterson		
D263,653 S *	4/1982	Viets	.....	D6/397
D276,962 S	1/1985	Moore		
D282,793 S *	3/1986	Zombeck	.....	D6/411
4,936,466 A	6/1990	Nava		
D326,964 S *	6/1992	Kakuk et al.	.....	D6/412
D332,311 S *	1/1993	Redding	.....	D24/128
D334,855 S	4/1993	Harrington et al.		
D383,334 S	9/1997	Barden		
6,095,346 A	8/2000	Idelberger		

D447,393 S	9/2001	Bodum
D465,946 S	11/2002	Boyd, Jr.
6,854,609 B1	2/2005	Hettinger
D545,080 S	6/2007	Massaud
D566,990 S	4/2008	Cook
D574,165 S	8/2008	Kornowski
7,451,882 B2	11/2008	McKay
2003/0192840 A1	10/2003	Hoyle et al.

\* cited by examiner

*Primary Examiner*—Philip S Hyder

*Assistant Examiner*—Sydney R Buffalow

(74) *Attorney, Agent, or Firm*—Simpson & Simpson, PLLC

(57) **CLAIM**

The ornamental design for a jewelry tree, as shown and described.

**DESCRIPTION**

FIG. 1 is a perspective view of the present invention jewelry tree;

FIG. 2 is a front elevational view of the jewelry tree;

FIG. 3 is a back elevational view of the jewelry tree;

FIG. 4 is a right side elevational view of the jewelry tree;

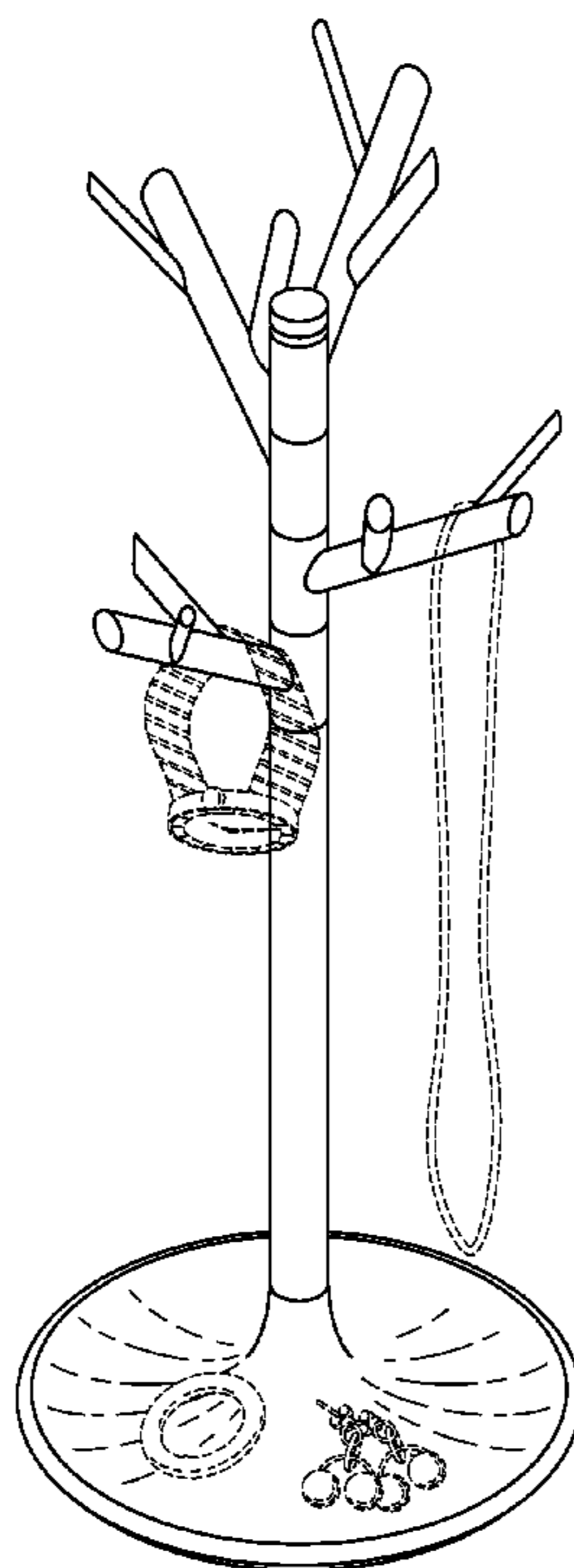
FIG. 5 is a left side elevational view of the jewelry tree;

FIG. 6 is a top plan view of the jewelry tree; and,

FIG. 7 is a bottom plan view of the jewelry tree.

The broken lines are for the illustrative purposes only and form no part of the claimed design.

**1 Claim, 7 Drawing Sheets**



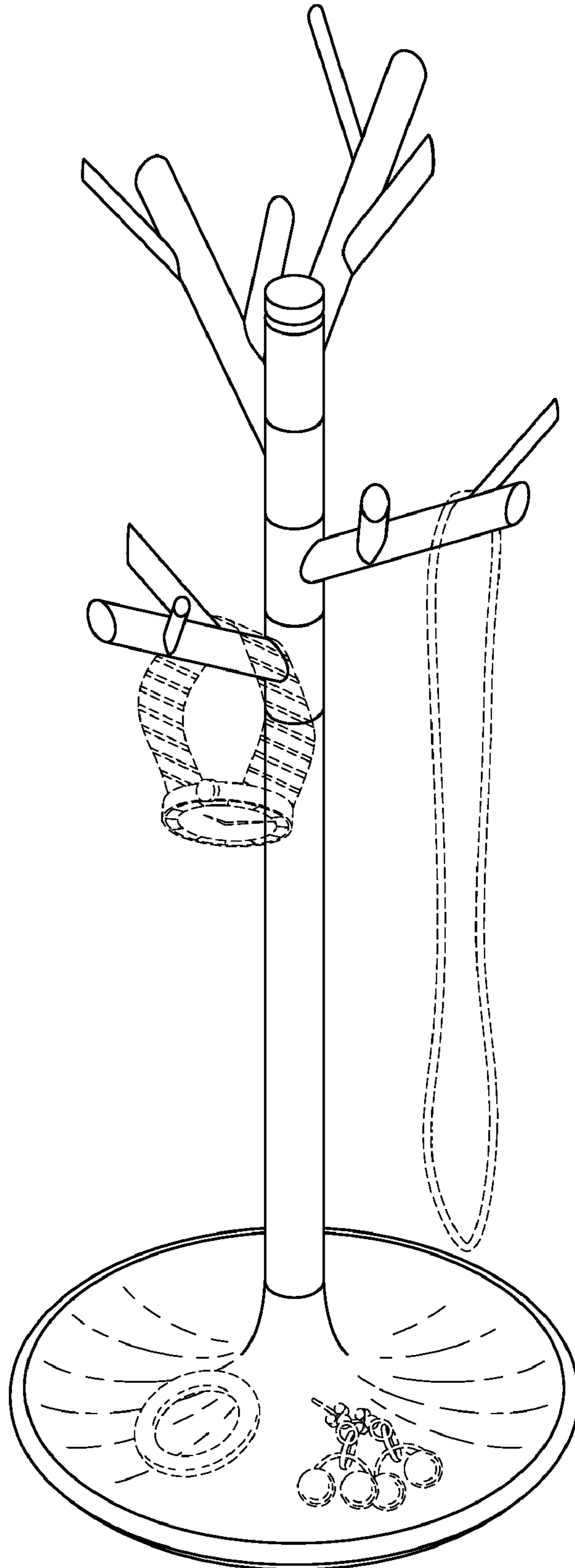


Fig. 1

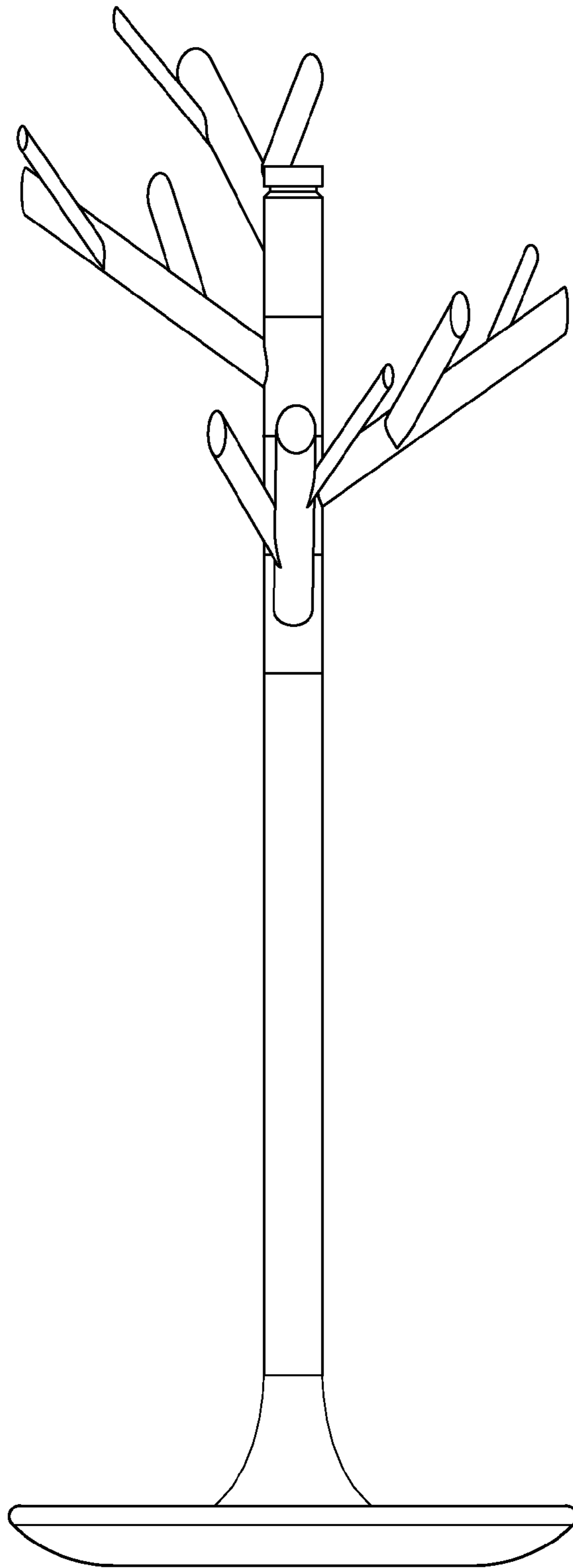


Fig. 2

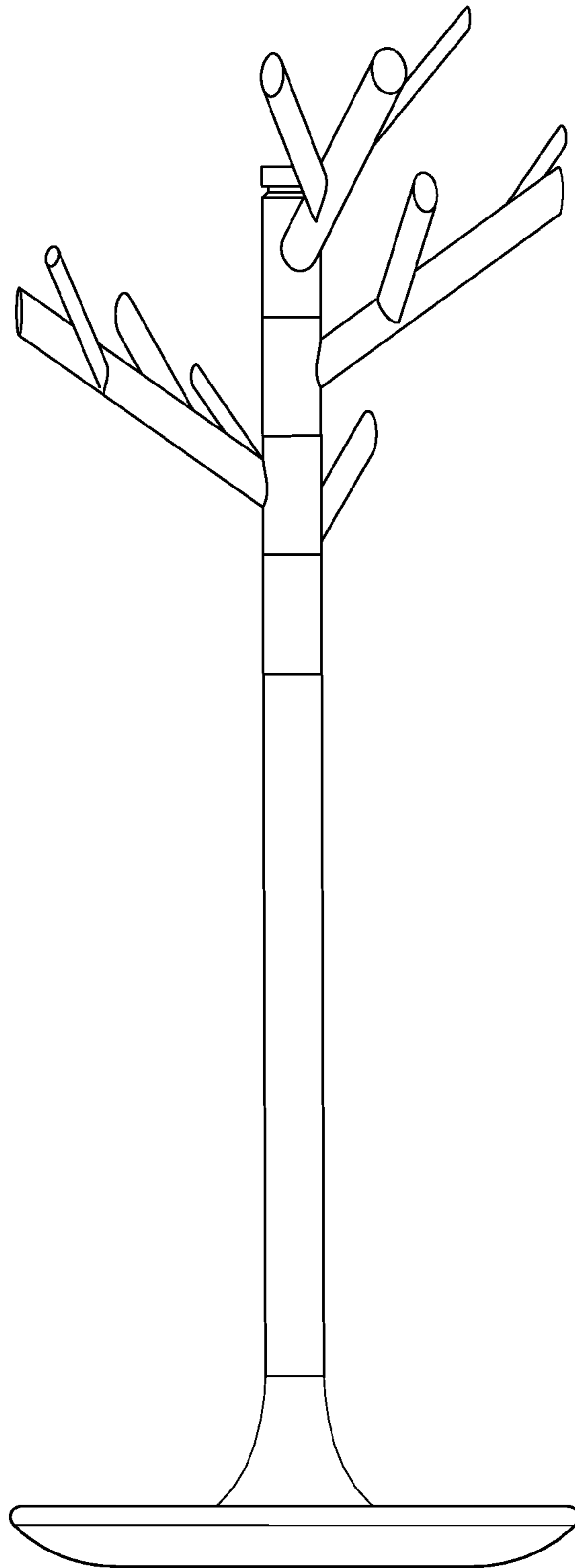


Fig. 3

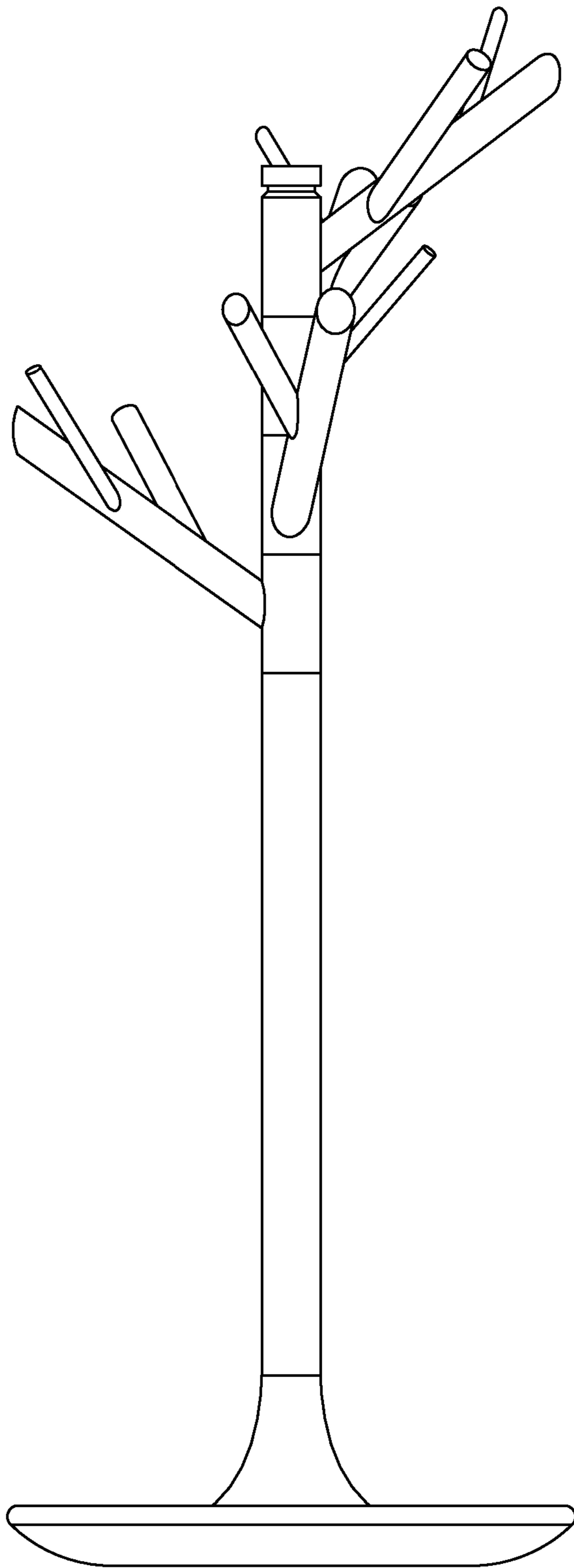


Fig. 4

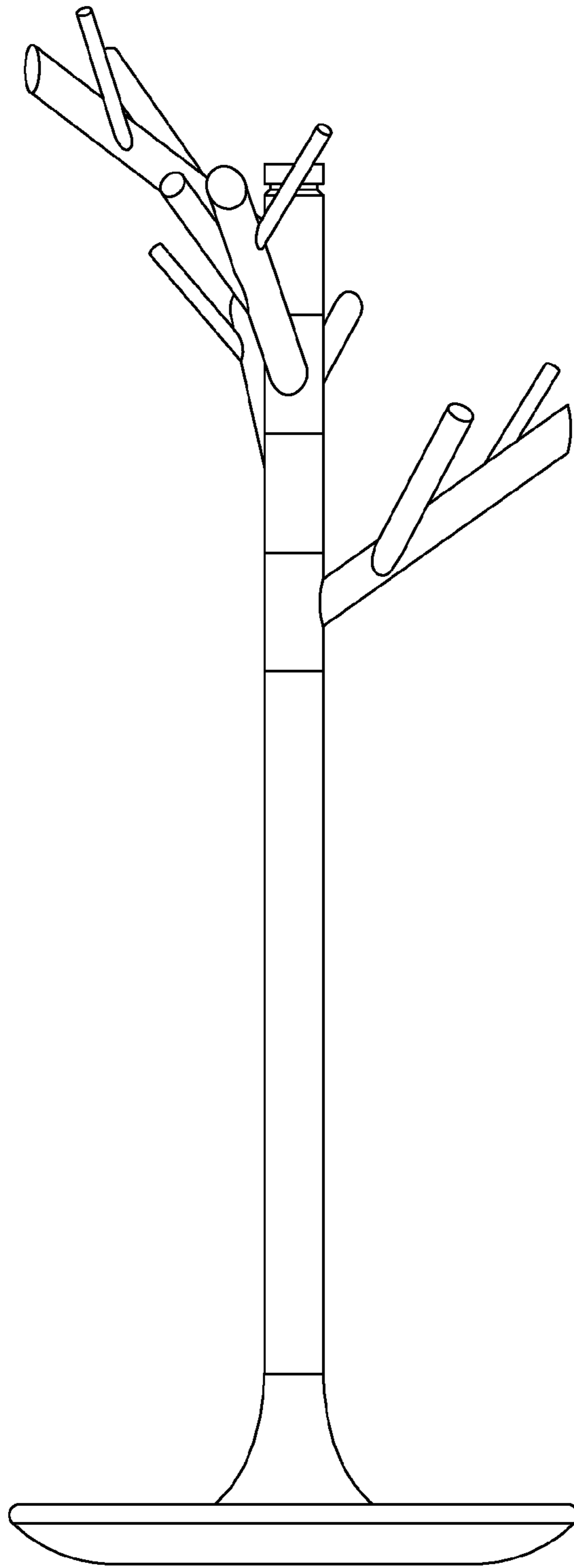


Fig. 5

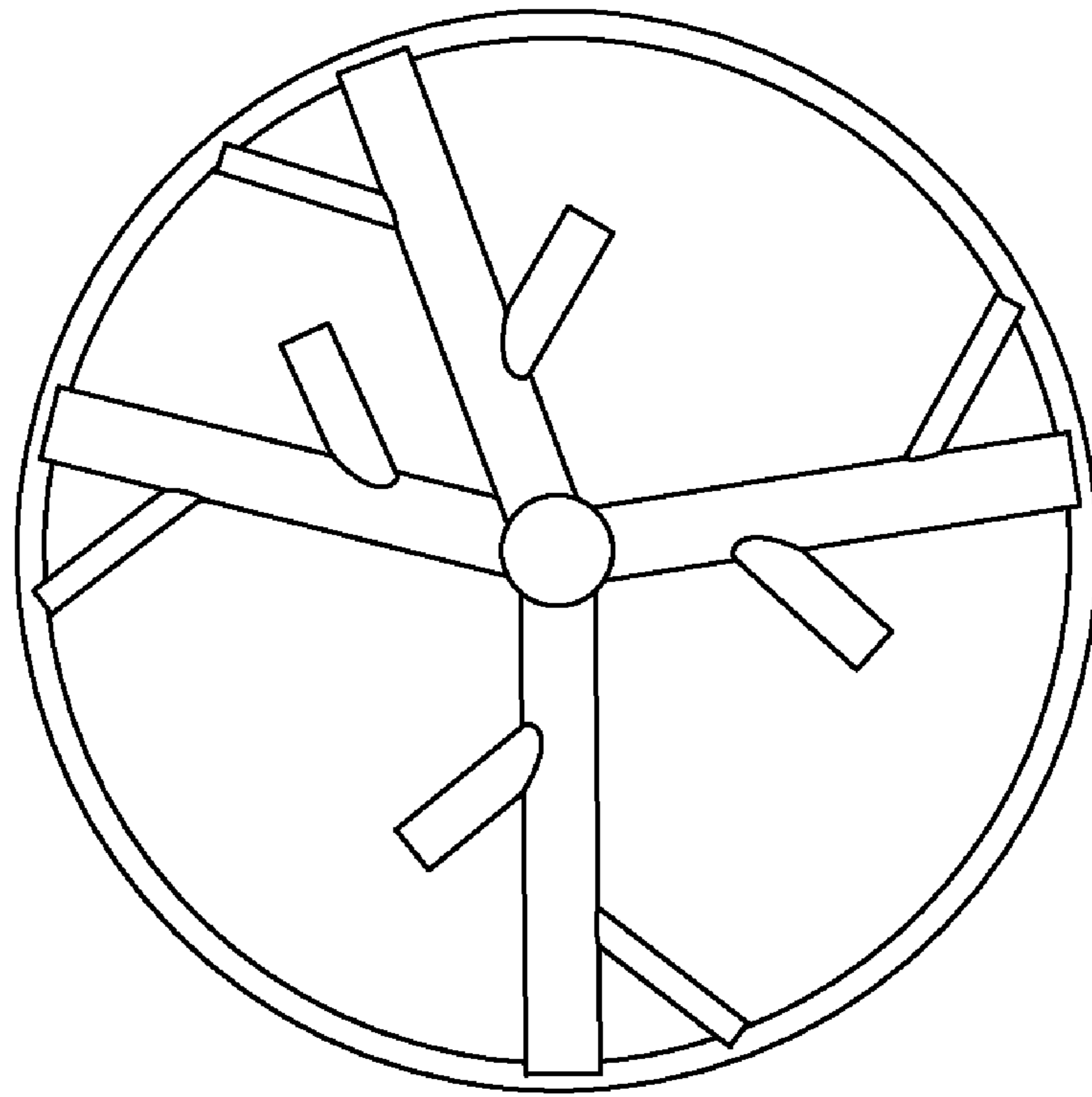


Fig. 6

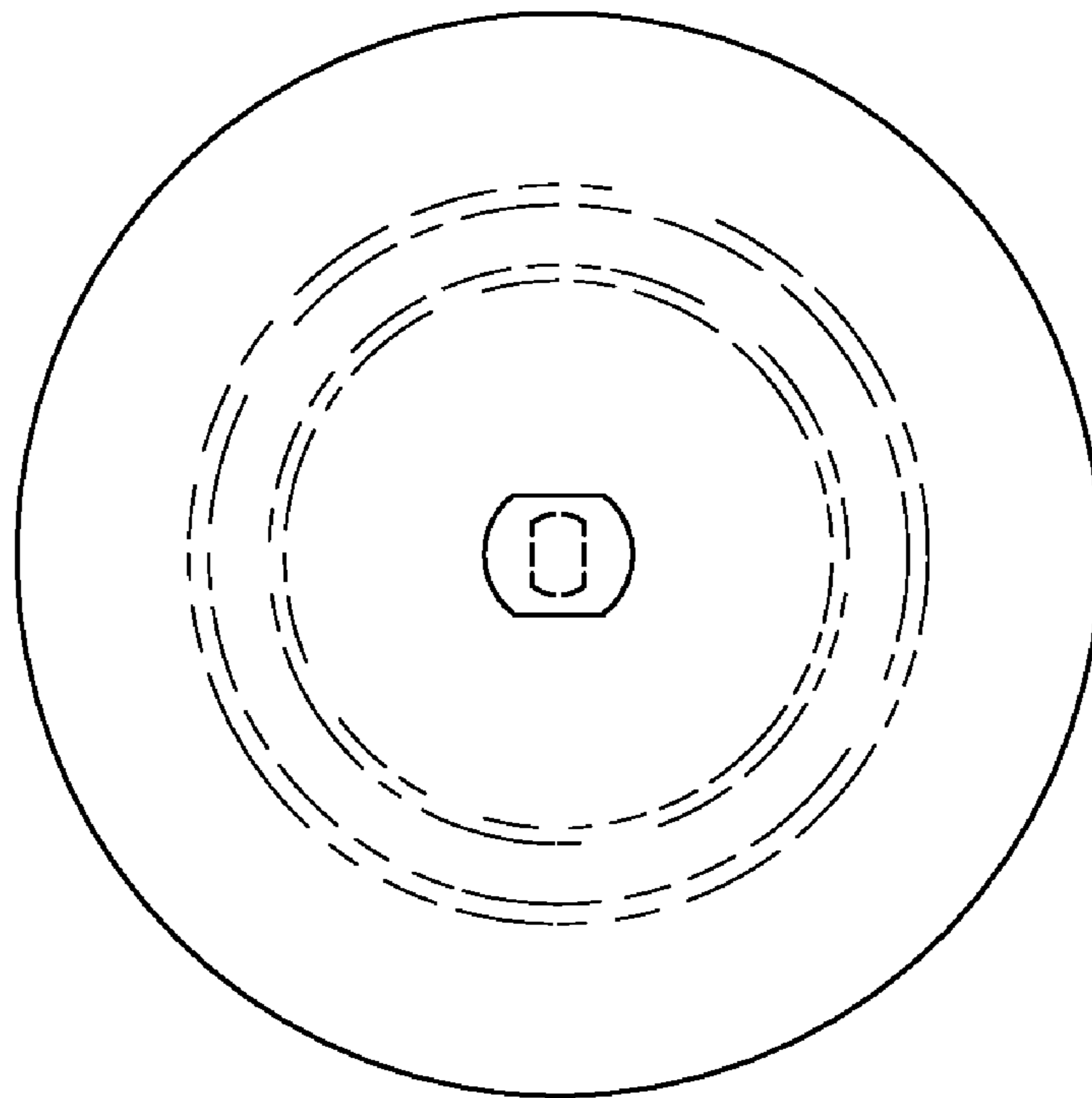


Fig. 7