



US00D610368S

(12) **United States Design Patent**
LeTourneau

(10) **Patent No.:** **US D610,368 S**
(45) **Date of Patent:** **** Feb. 23, 2010**

- (54) **VANITY**
- (75) Inventor: **Alexander V. LeTourneau**, Sheboygan, WI (US)
- (73) Assignee: **Kohler Co.**, Kohler, WI (US)
- (**) Term: **14 Years**
- (21) Appl. No.: **29/279,760**
- (22) Filed: **May 7, 2007**
- (51) **LOC (9) Cl.** **06-04**
- (52) **U.S. Cl.** **D6/432**
- (58) **Field of Classification Search** D6/397,
D6/425-426, 429, 432-448, 470, 474, 477-480,
D6/484, 492, 495, 561; D23/286, 308; 312/108,
312/114, 117, 204, 224, 227, 237, 297, 330.1,
312/334.36, 348.3
See application file for complete search history.

(56) **References Cited**

U.S. PATENT DOCUMENTS

- D549,491 S * 8/2007 Brimacombe et al. D6/480
- D579,233 S * 10/2008 LeTourneau D6/446

OTHER PUBLICATIONS

- 800Saving.com. FW-2144 Bathroom Vanity with White Marble countertop. 800Saving.com online catalog. Copyright 2004-2007 800saving.com.
- Baker Furniture. "1532 Sideboard". Baker Catalog, p. 9.
- Empire. "Empire 48 inch Dark Malibu 100 Collection Bathroom Vanity". Empire online catalog. Copyright 1997-2007 Mercantila, Inc.
- Homecraft—Fine Home Furnishings Division—B. Altman & Co. "Arlington Vanestal". Homecraft.com online catalog. Copyright 2006 B. Altman & Co.
- Vanity Flair. "Vanity Flair Deja Vanity". Model No. 1030-Accent. HomeAnnex.com online catalog. Copyright 2003-2006 HomeAnnex.com.

* cited by examiner

Primary Examiner—Caron Veynar

Assistant Examiner—Ricky Pham

(74) *Attorney, Agent, or Firm*—Quarles & Brady LLP

(57) **CLAIM**

The ornamental design for a vanity, as shown and described.

DESCRIPTION

In a preferred embodiment, the nature of this product is a vanity such as can be used to support a lavatory.

FIG. 1 is a right, top, front perspective view of a vanity embodying my new design;

FIG. 2 is a front elevational view thereof;

FIG. 3 is a right side elevational view thereof, the left side elevational view thereof being a mirror image of the right side shown;

FIG. 4 is a top plan view thereof;

FIG. 5 is a rear elevational view thereof;

FIG. 6 is a bottom plan view thereof;

FIG. 7 is a right, top, front perspective view of a vanity according to another embodiment of my new design, the right side elevational view thereof being identical to FIG. 3 and the left side elevational view thereof being a mirror image of FIG. 3;

FIG. 8 is a front elevational view thereof;

FIG. 9 is a top plan view thereof;

FIG. 10 is a rear elevational view thereof;

FIG. 11 is a bottom plan view thereof;

FIG. 12 is a right, top, front perspective view of a vanity according to another embodiment of my new design, the right side elevational view thereof being identical to FIG. 3 and the left side elevational view thereof being a mirror image of FIG. 3;

FIG. 13 is a front elevational view thereof;

FIG. 14 is a top plan view thereof;

FIG. 15 is a rear elevational view thereof; and,

FIG. 16 is a bottom plan view thereof.

The broken line representations in the figures for the purpose of illustration only, and form no part of the claimed design.

1 Claim, 6 Drawing Sheets

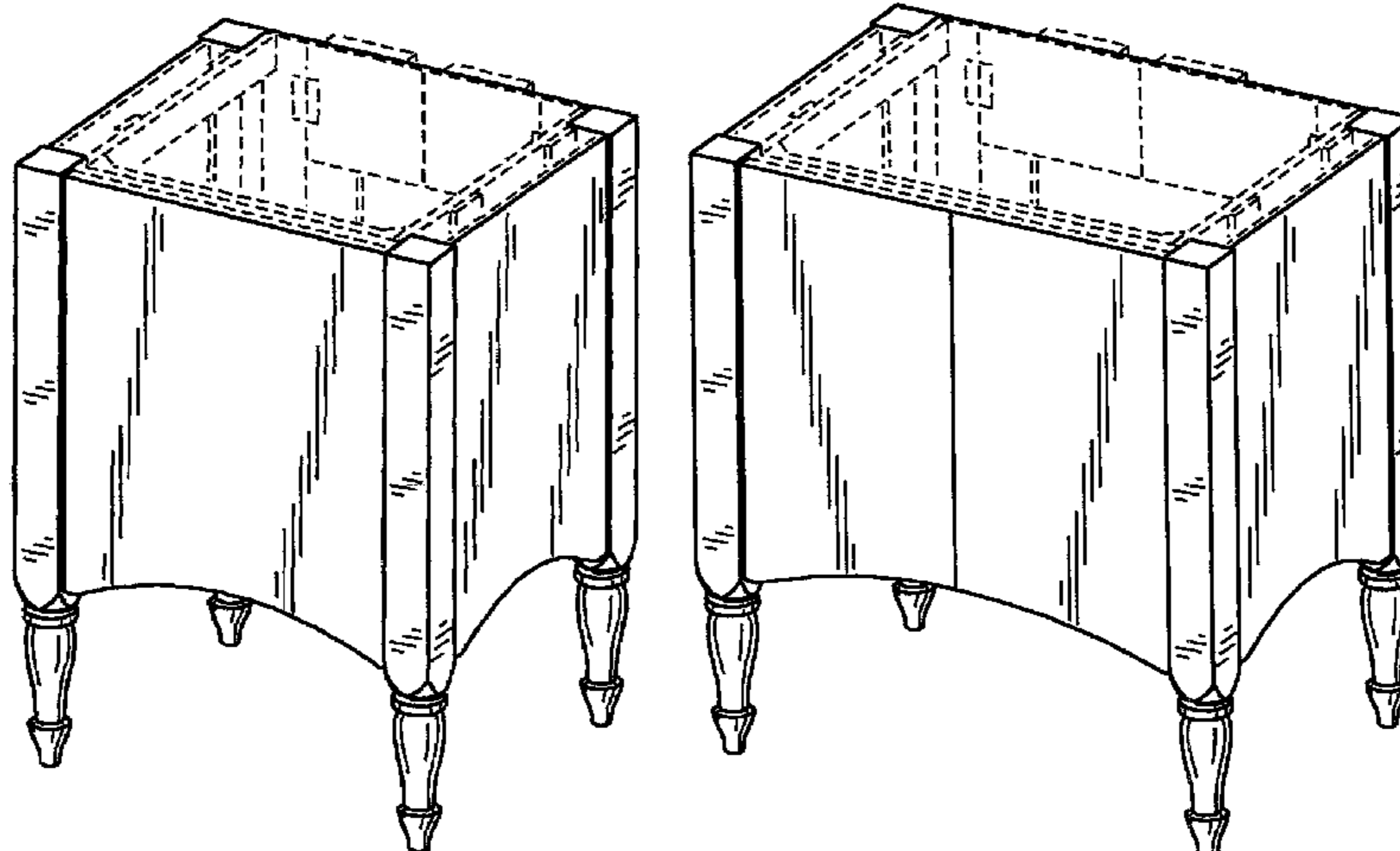


FIG. 1

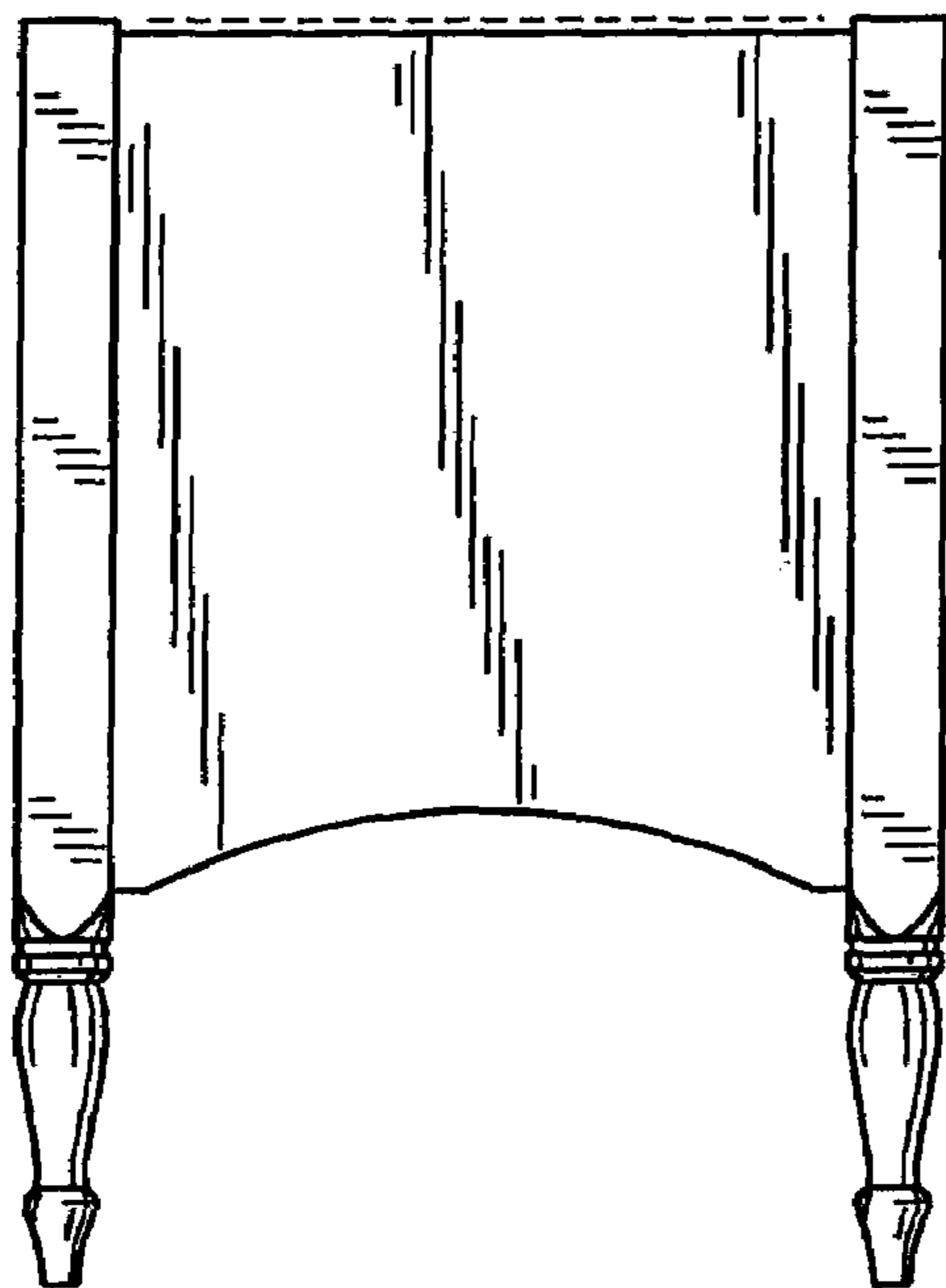
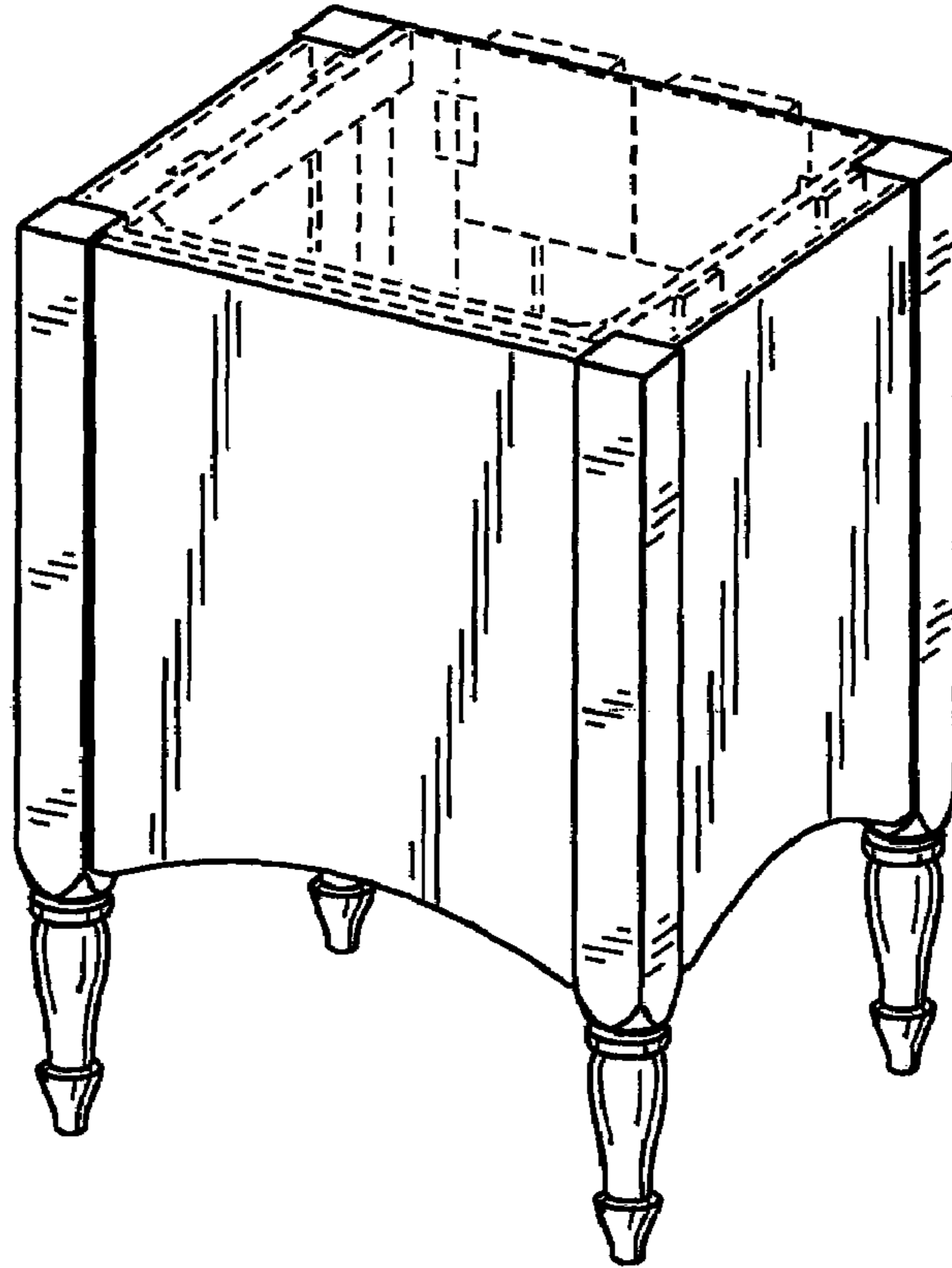


FIG. 2

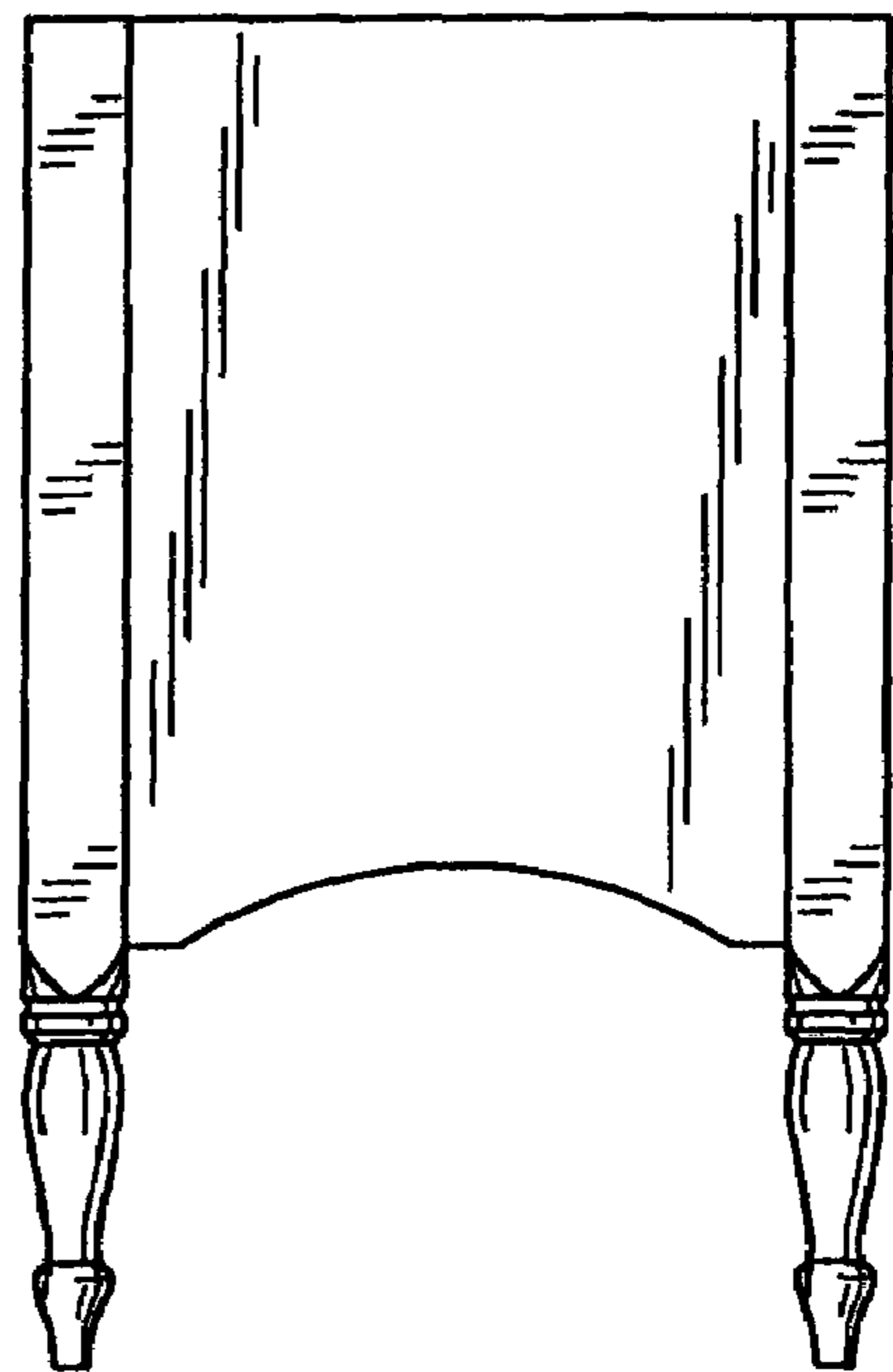


FIG. 3

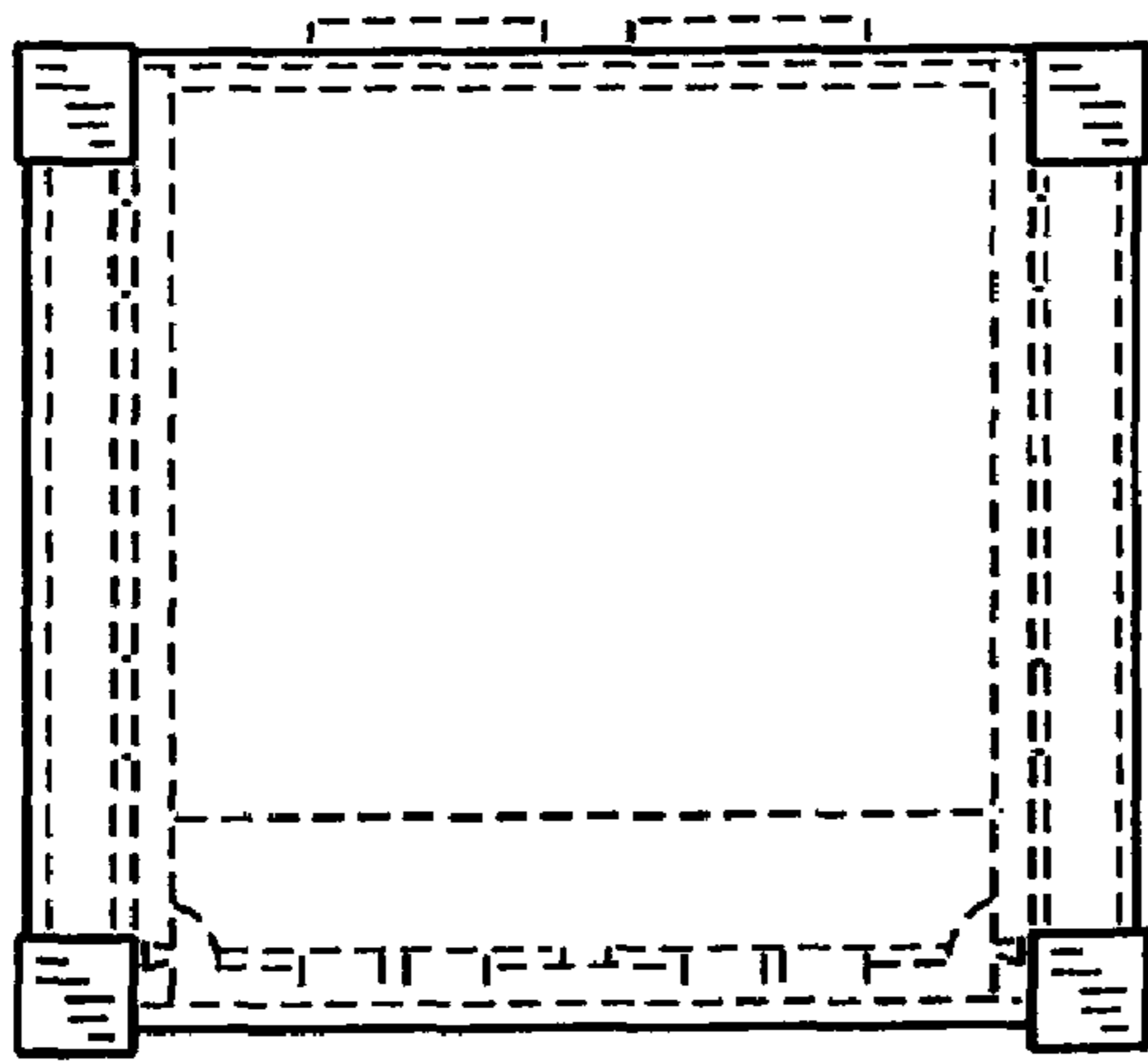


FIG. 4

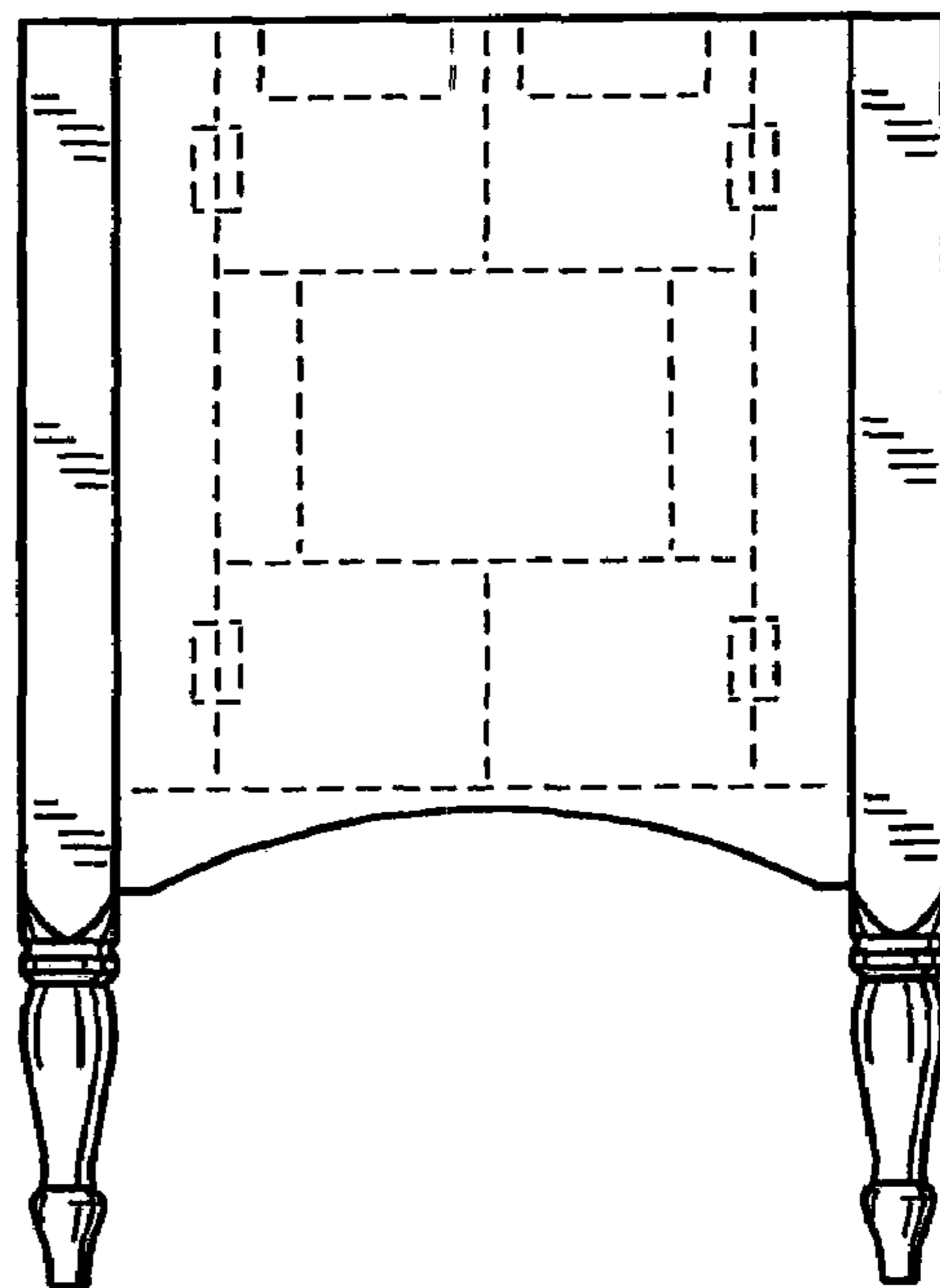


FIG. 5

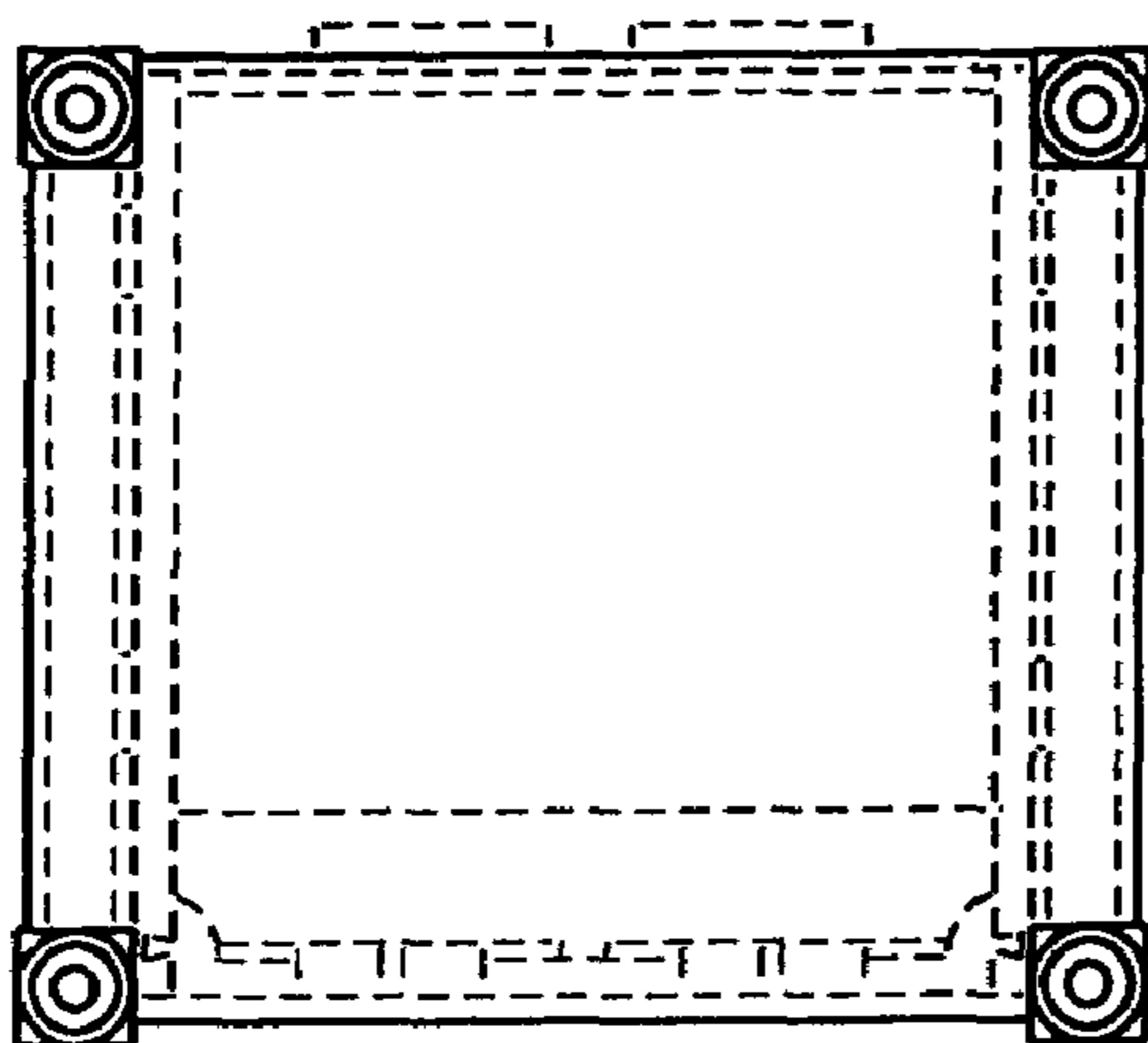


FIG. 6

FIG. 7

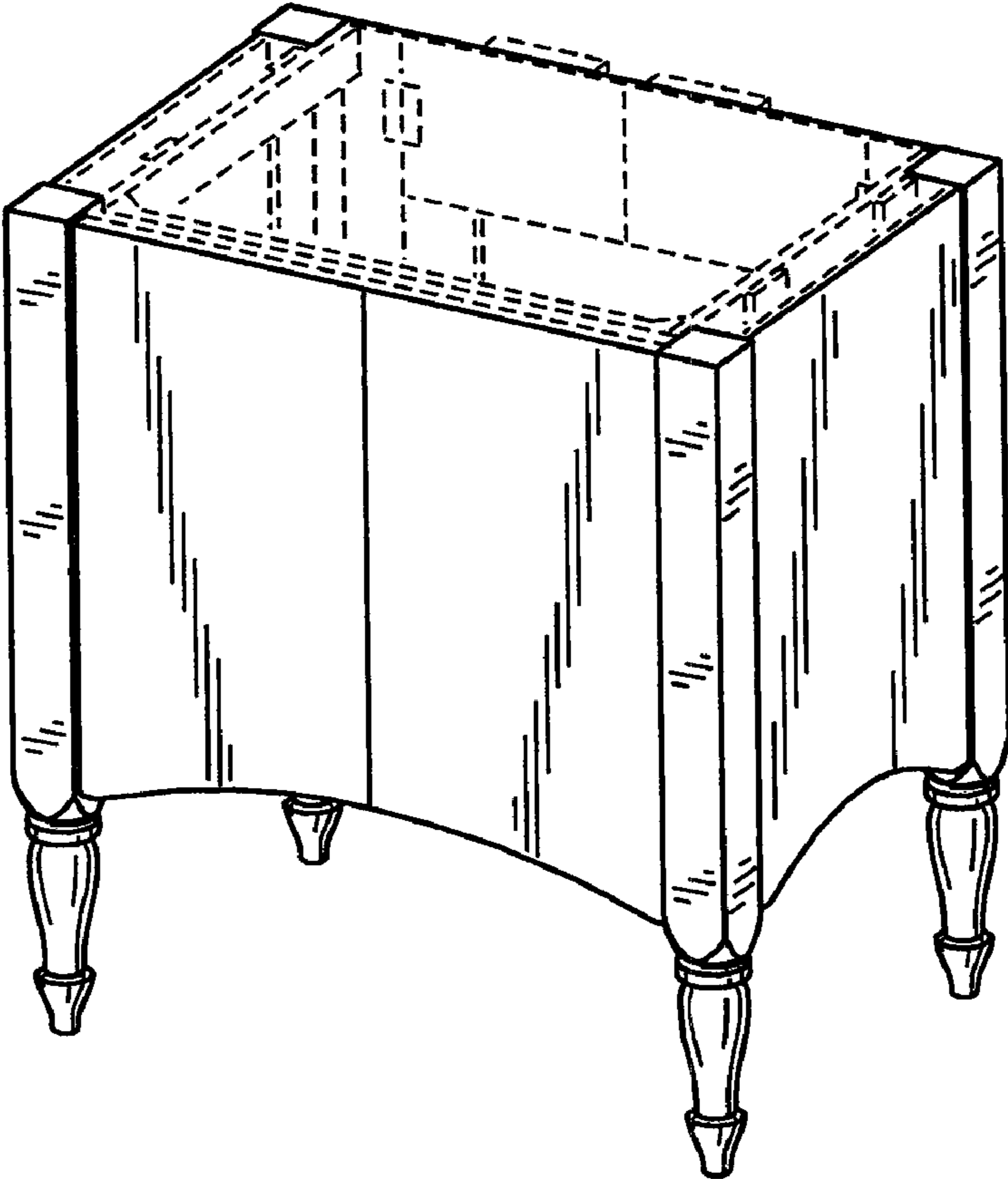
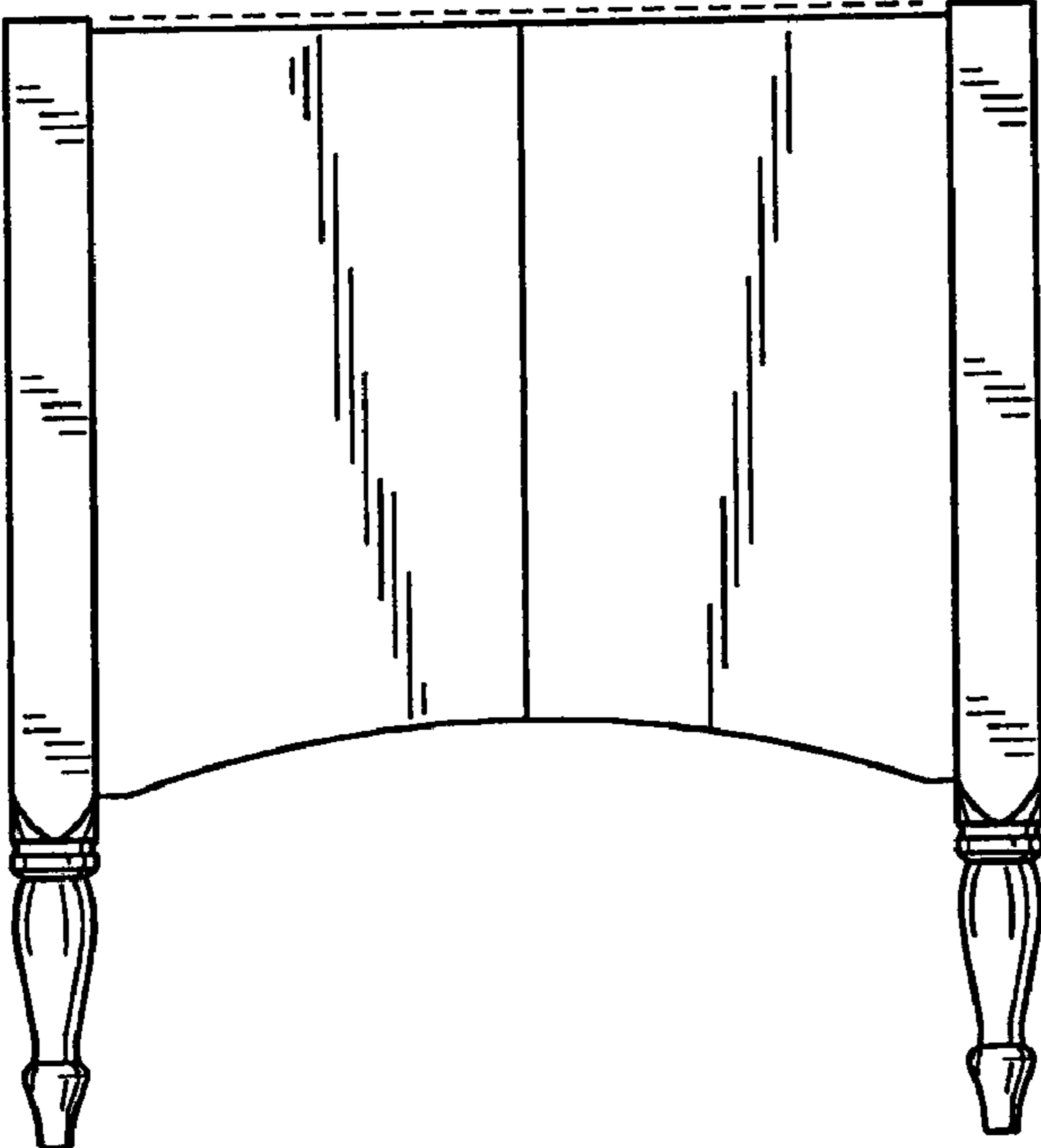


FIG. 8



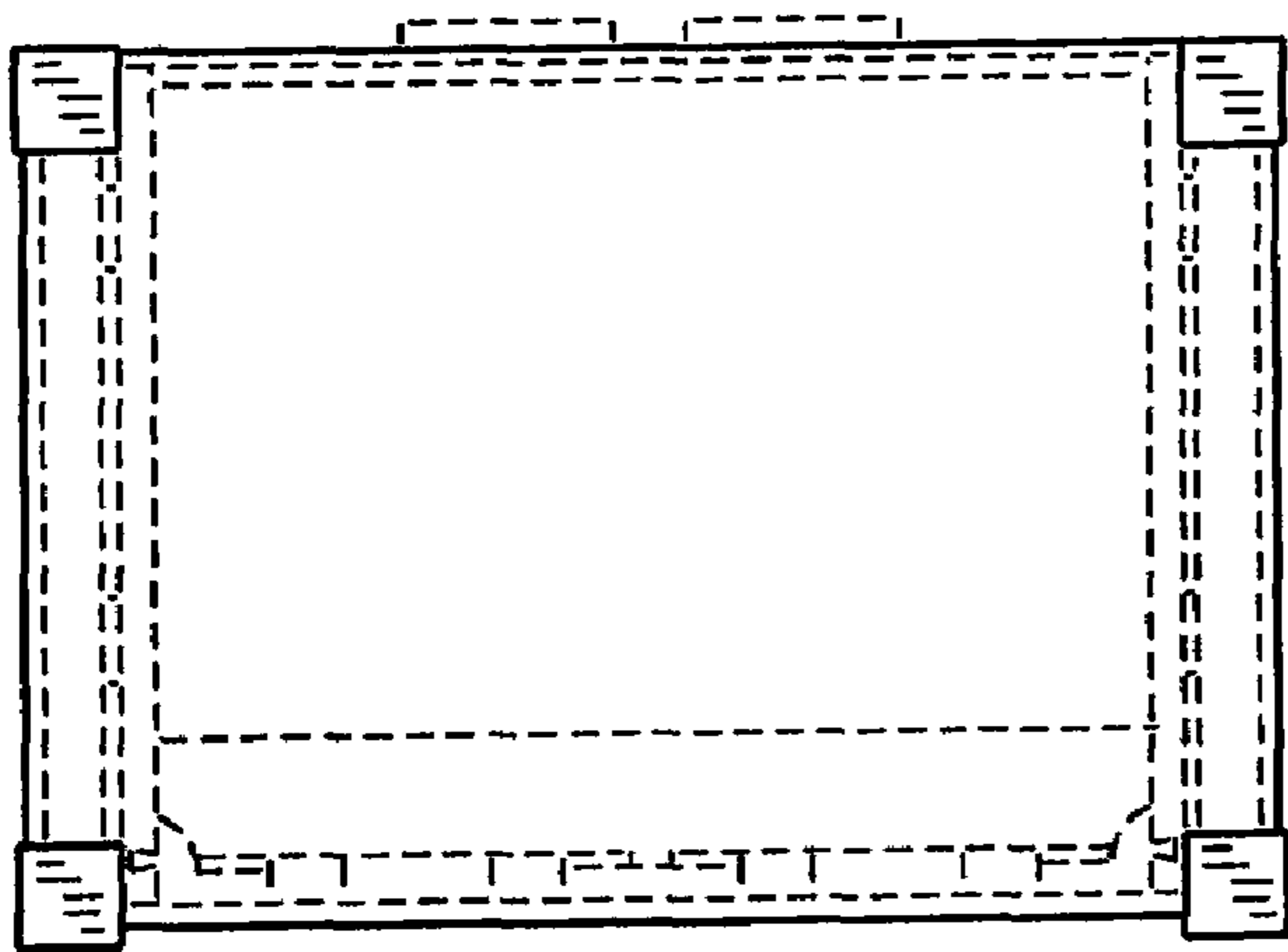


FIG. 9

FIG. 10

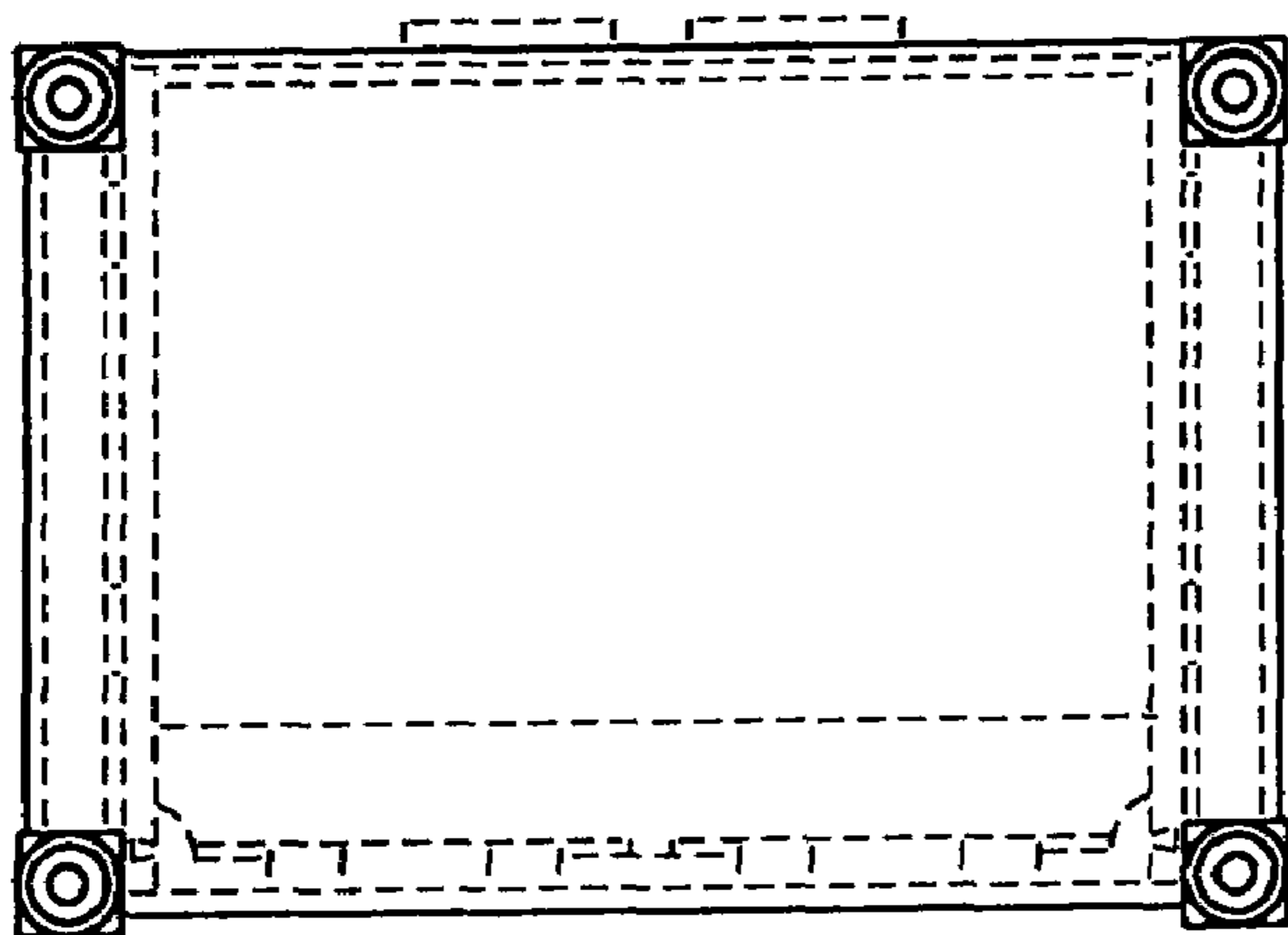
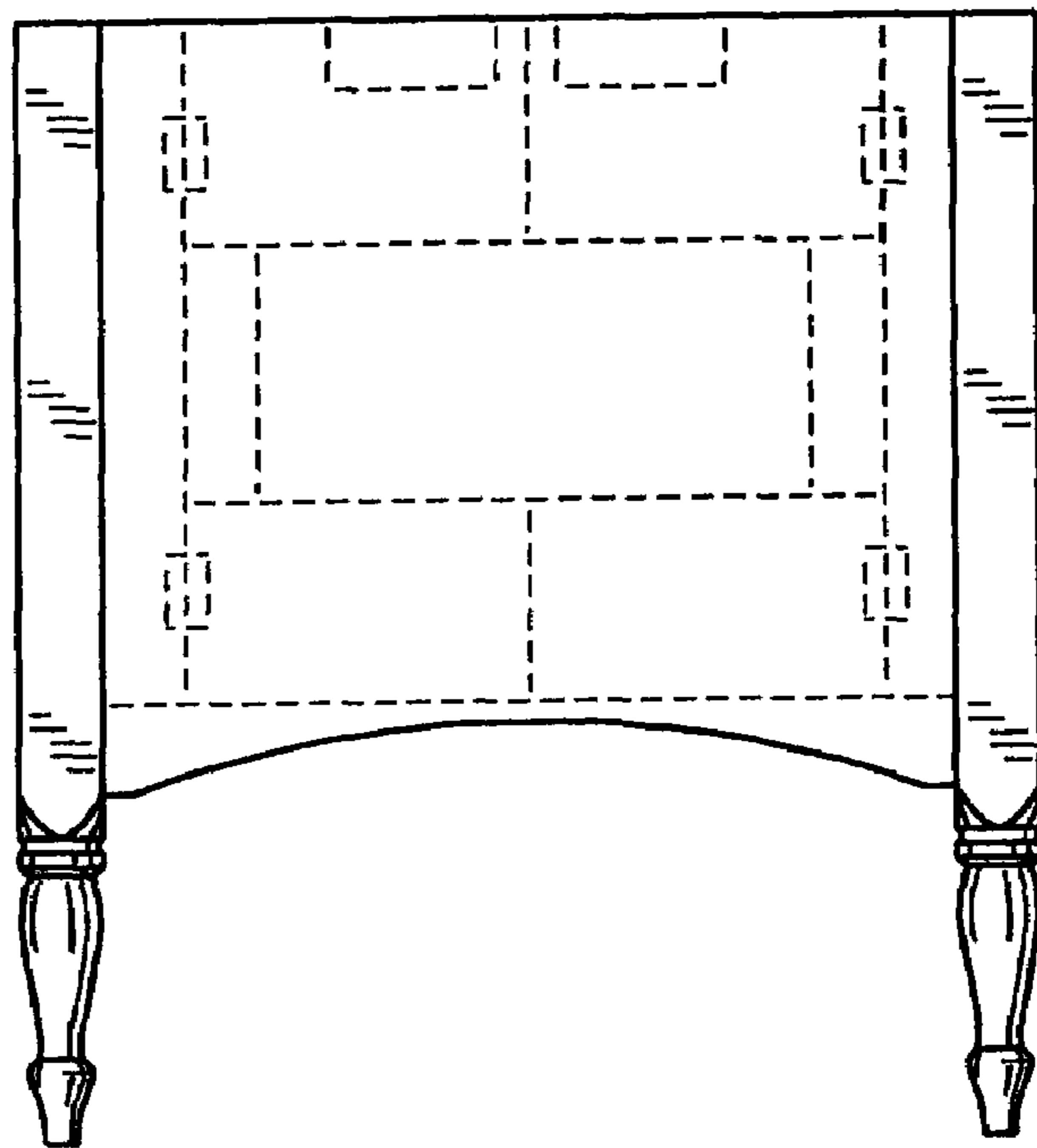


FIG. 11

FIG. 12

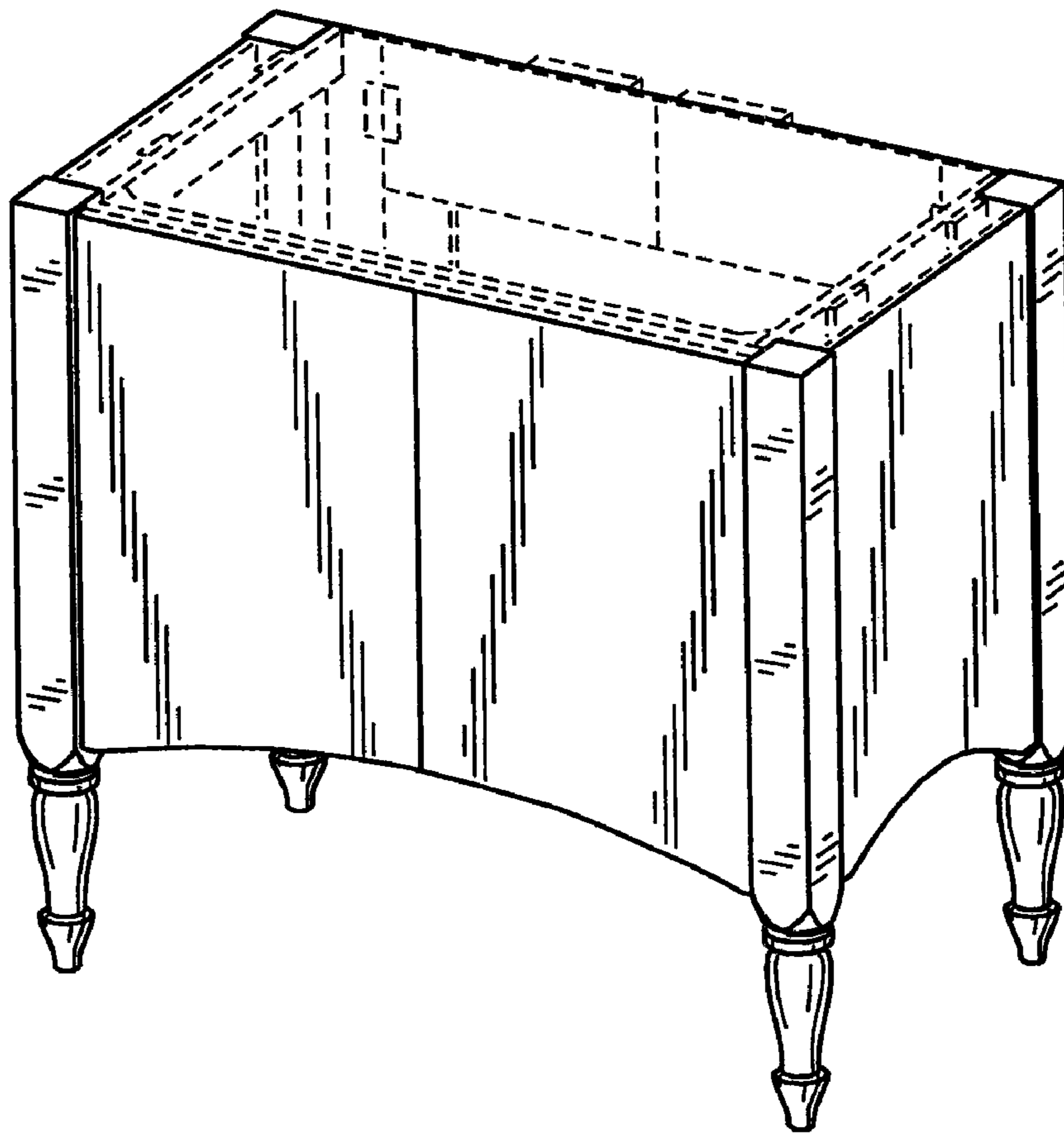
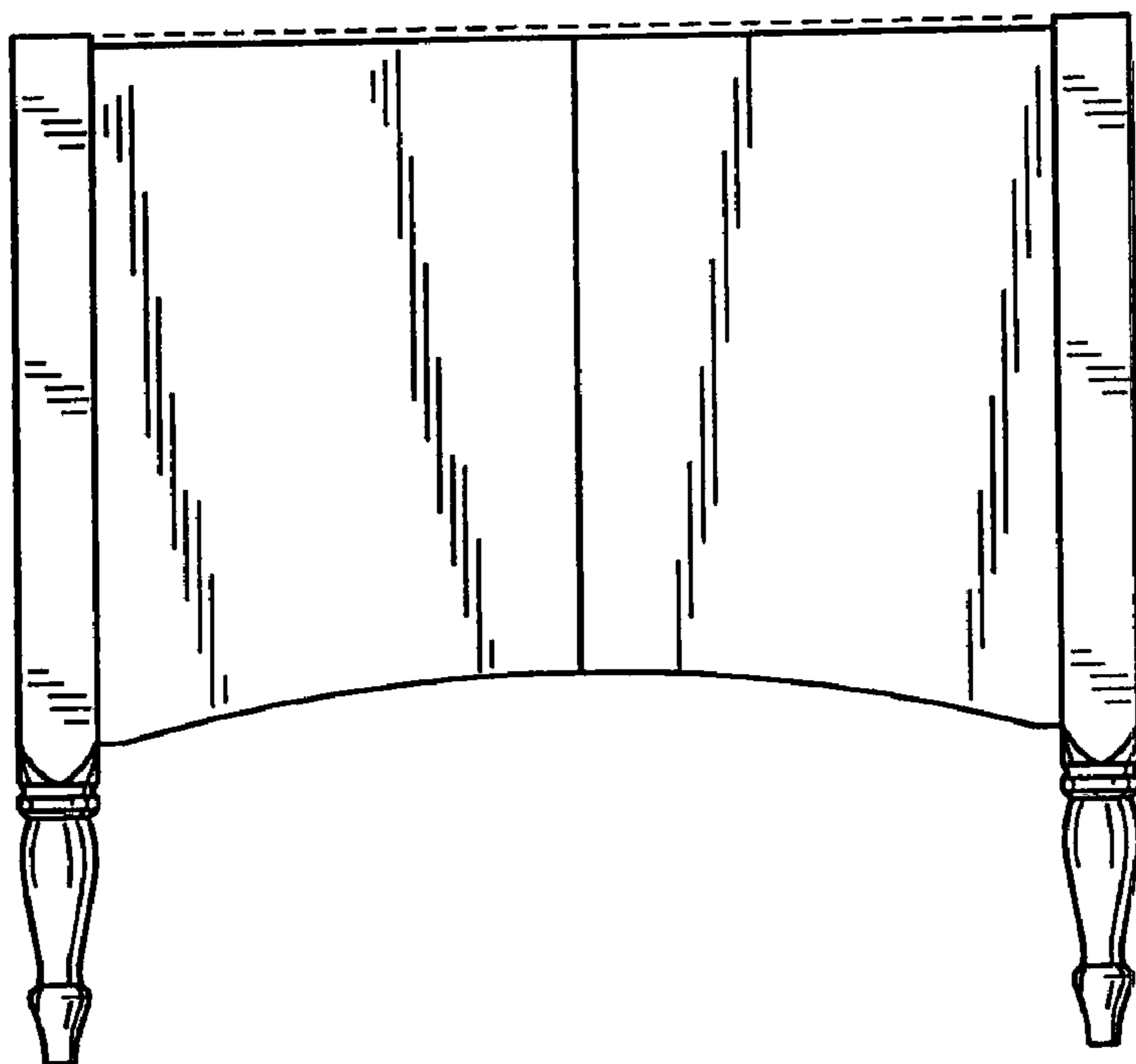


FIG. 13



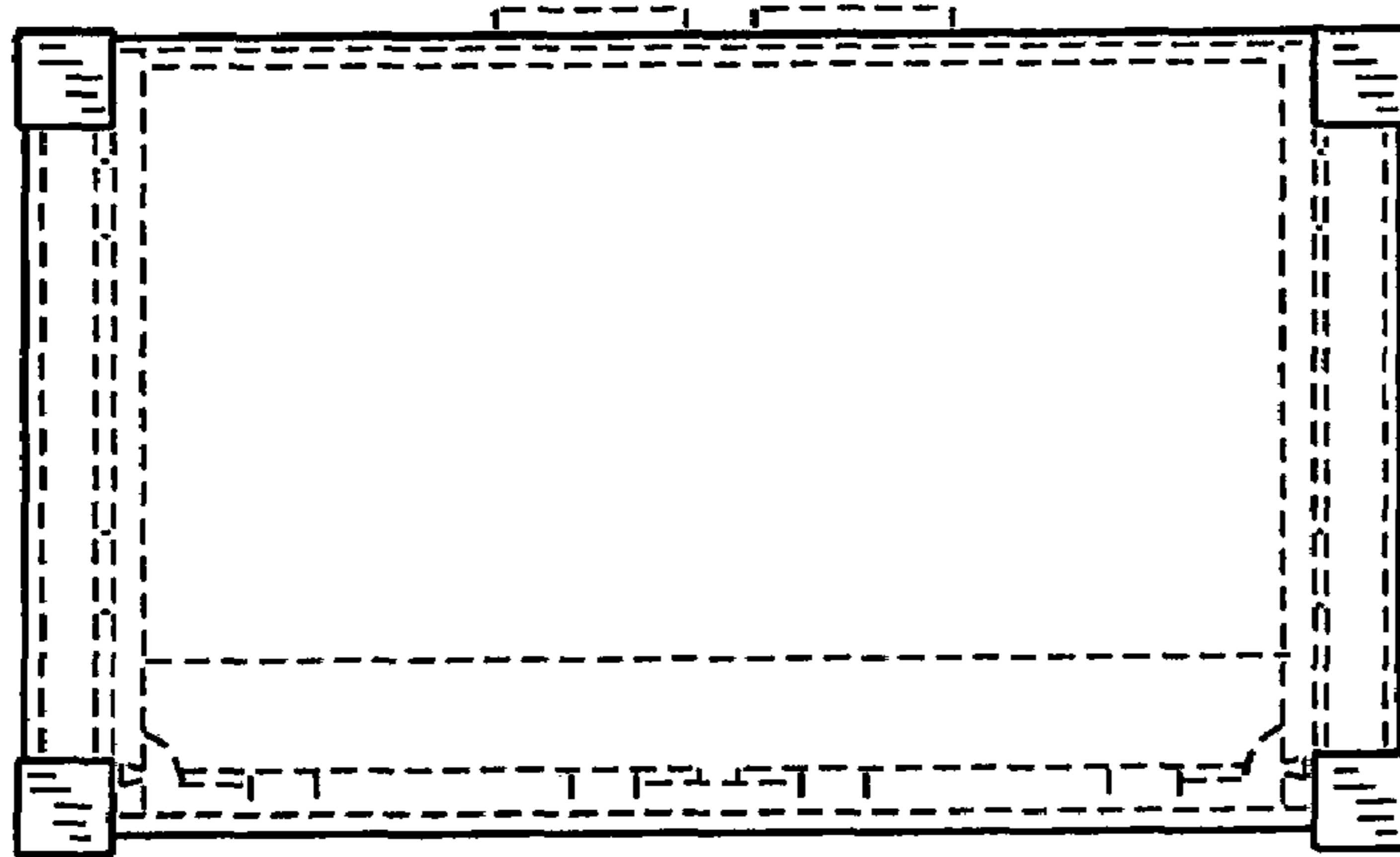


FIG. 14

FIG. 15

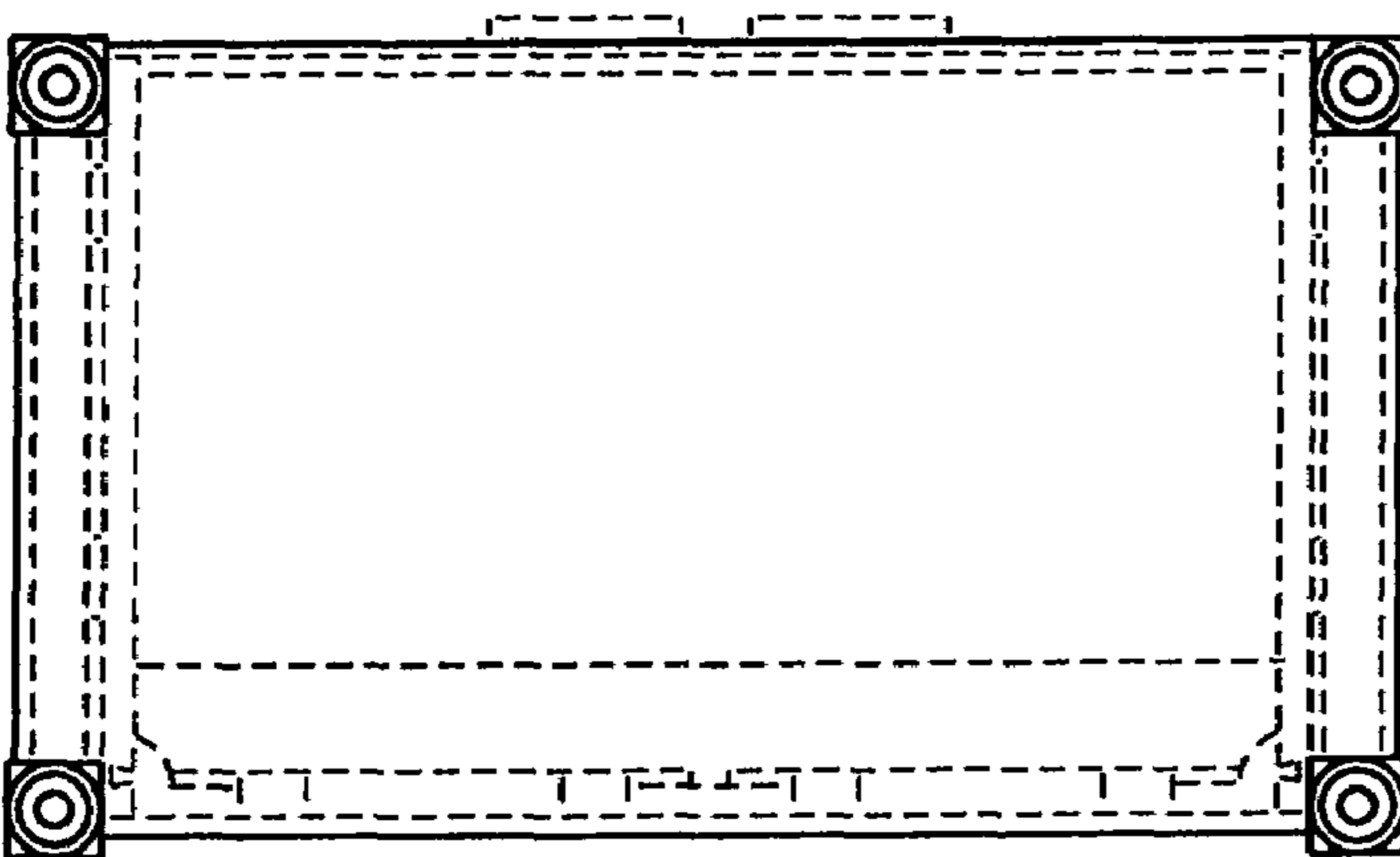
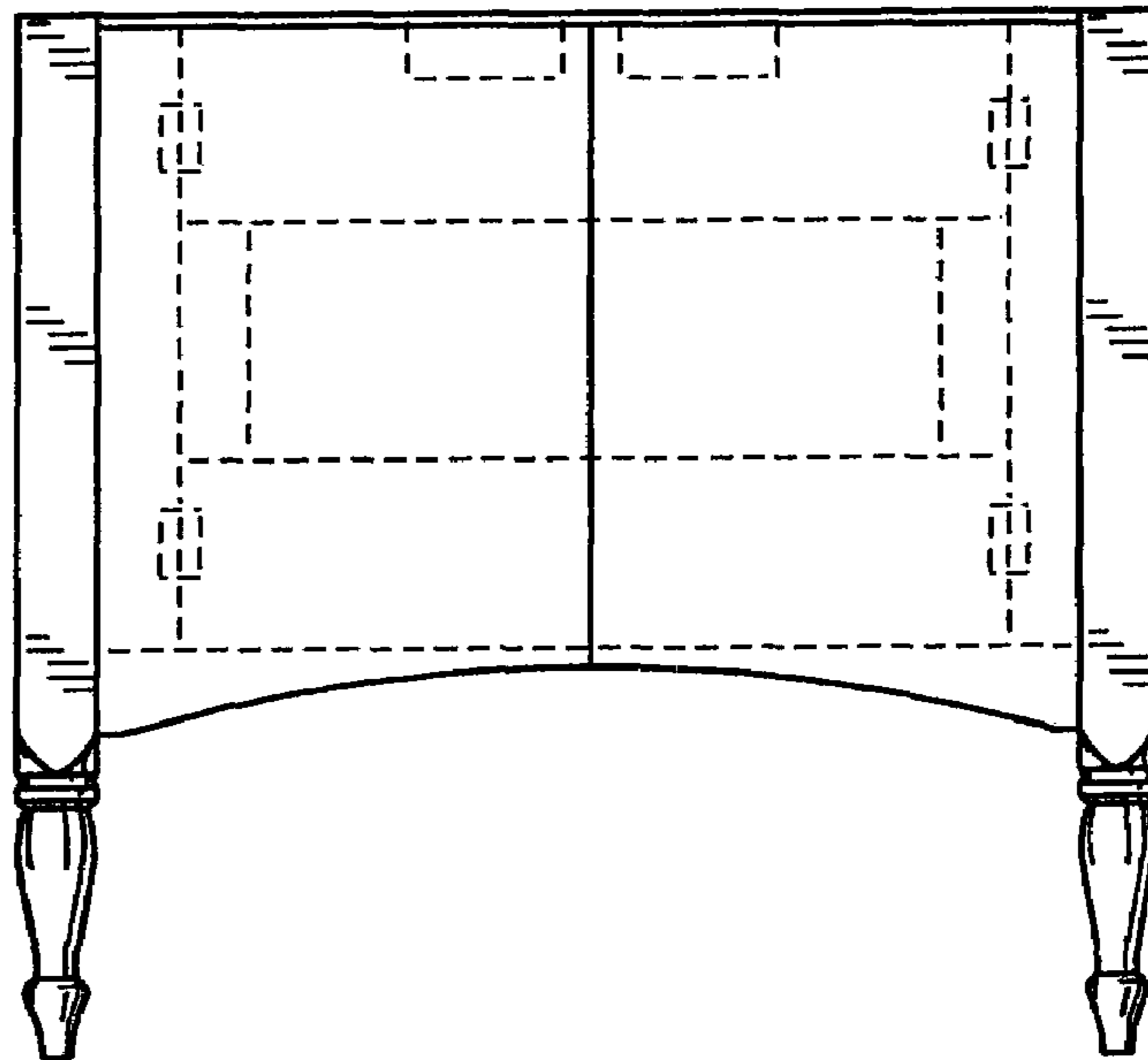


FIG. 16