



US00D610362S

(12) **United States Design Patent**
Choi et al.

(10) **Patent No.:** **US D610,362 S**
(45) **Date of Patent:** **** Feb. 23, 2010**

(54) **RECLINING MASSAGE CHAIR**

(75) Inventors: **Byung Won Choi**, Asan-Si (KR); **Seok Ki Lee**, Chunan-Si (KR); **Jin Hee Kim**, Asan-Si (KR); **Jae Yeon Jeon**, Chunan-Si (KR)

(73) Assignee: **Ceragem Co., Ltd.**, Chunan-Si (KR)

(**) Term: **14 Years**

(21) Appl. No.: **29/343,398**

(22) Filed: **Sep. 11, 2009**

(30) **Foreign Application Priority Data**

Mar. 11, 2009 (KR) 30-2009-0010418

(51) **LOC (9) Cl.** **06-01**

(52) **U.S. Cl.** **D6/367**

(58) **Field of Classification Search** D6/334-336,
D6/360, 361, 367, 371, 373, 379, 492, 500-502;
297/368, 271.1, 271.2, 271.3, 353, 354.1,
297/411.45, 423.19, 423.3; 601/90, 91, 97-99,
601/102, 115, 116, 148, 149

See application file for complete search history.

(56) **References Cited**

U.S. PATENT DOCUMENTS

D502,607 S * 3/2005 Miyake et al. D6/335

D517,338 S * 3/2006 Inada et al. D6/367
D536,189 S * 2/2007 Kita D6/367
D536,891 S * 2/2007 Miyake et al. D6/367
D540,053 S * 4/2007 Kimoto D6/367
D548,995 S * 8/2007 Ng D6/367
D577,923 S * 10/2008 Kita D6/367
D580,671 S * 11/2008 Aoki et al. D6/367
D583,582 S * 12/2008 Potter et al. D6/367
D586,138 S * 2/2009 Potter D6/367
D599,572 S * 9/2009 Choi et al. D6/367

* cited by examiner

Primary Examiner—Mimosa De

(74) *Attorney, Agent, or Firm*—IPLA P.A.; James E. Bame

(57) **CLAIM**

The ornamental design for a reclining massage chair, as shown and described.

DESCRIPTION

FIG. 1 is a perspective view of our new design;
FIG. 2 is a front elevational view thereof;
FIG. 3 is a rear elevational view thereof;
FIG. 4 is a side elevational view thereof, an opposite side being a mirror image; and,
FIG. 5 is a top plan view thereof.

1 Claim, 5 Drawing Sheets

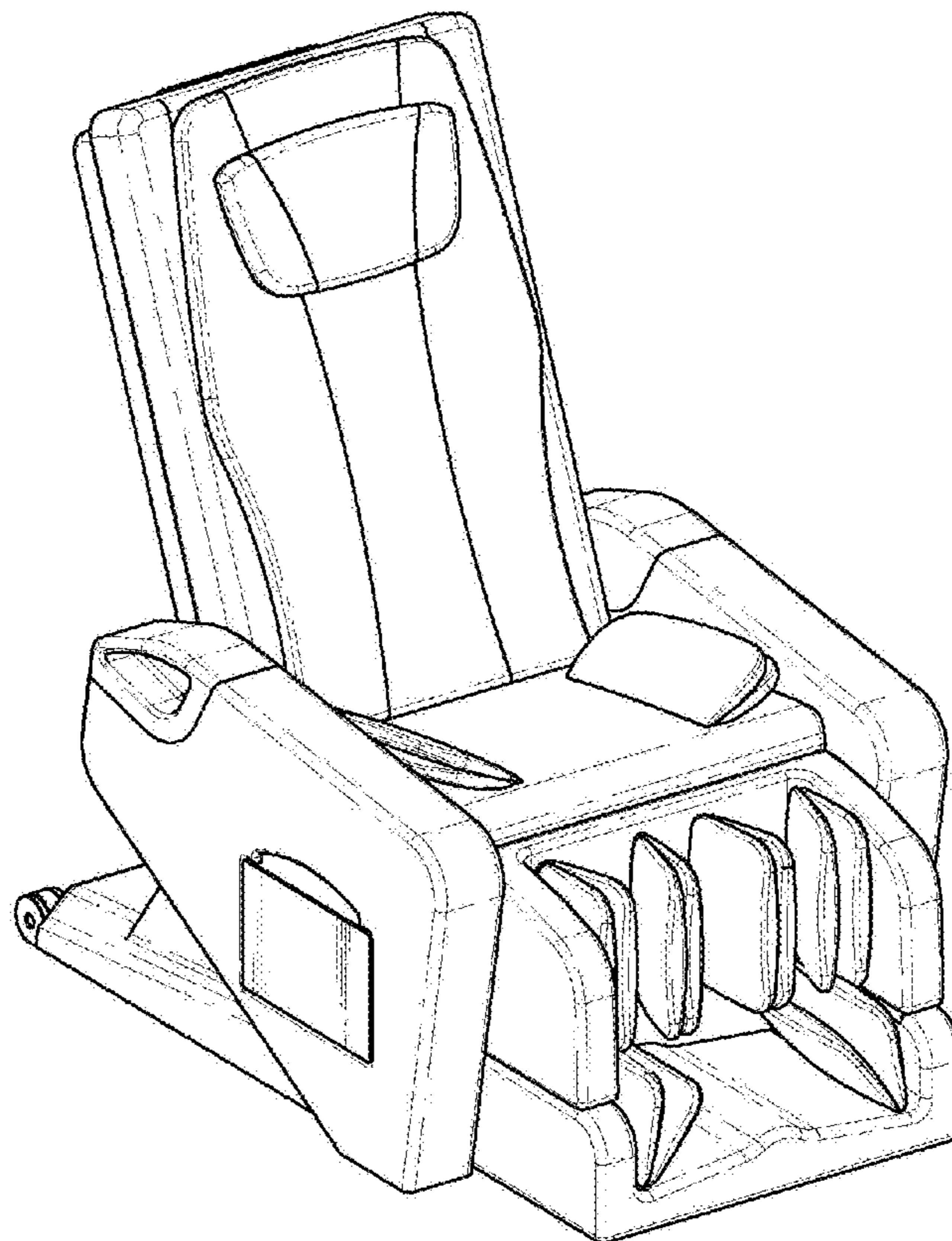


FIG. 1

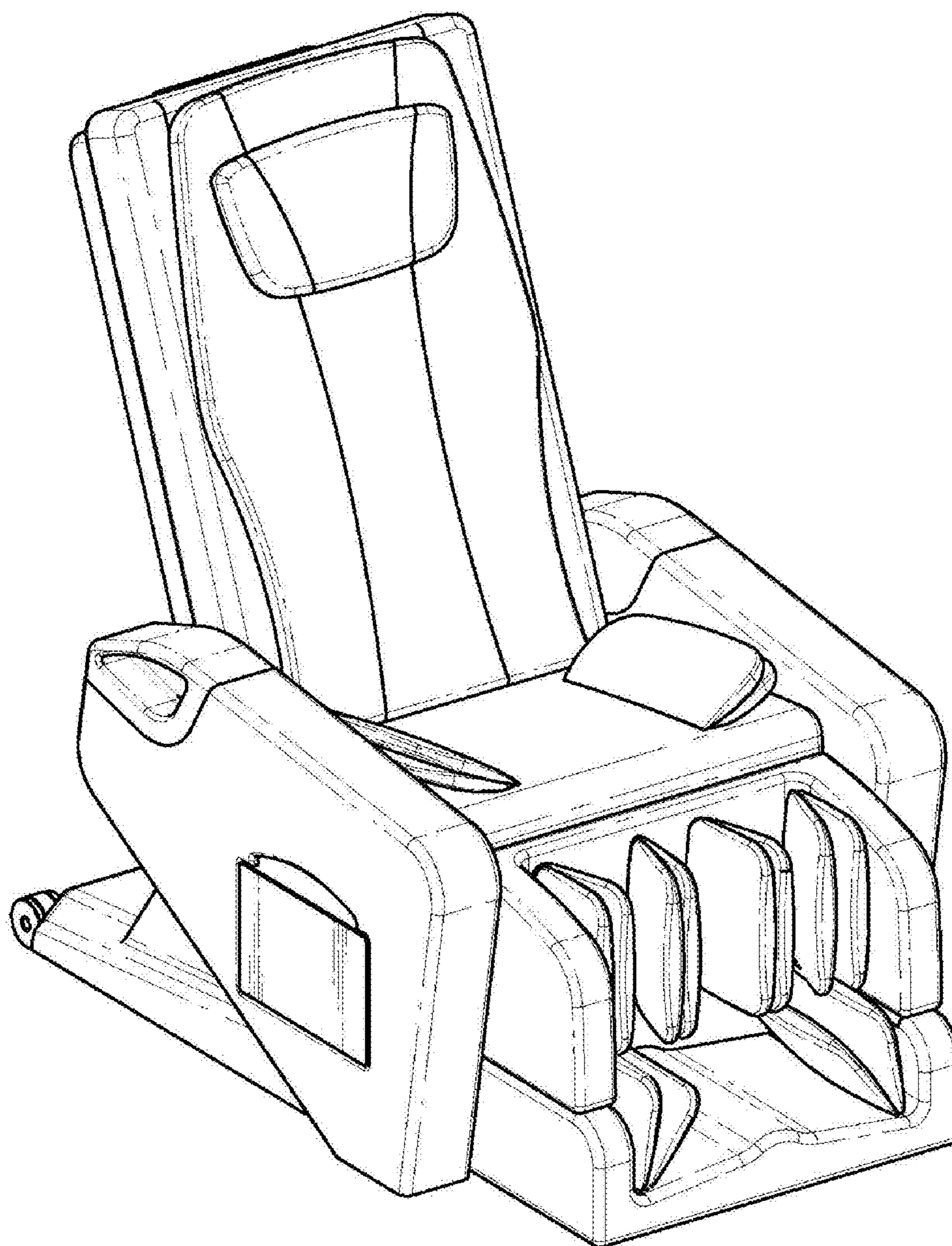


FIG. 2

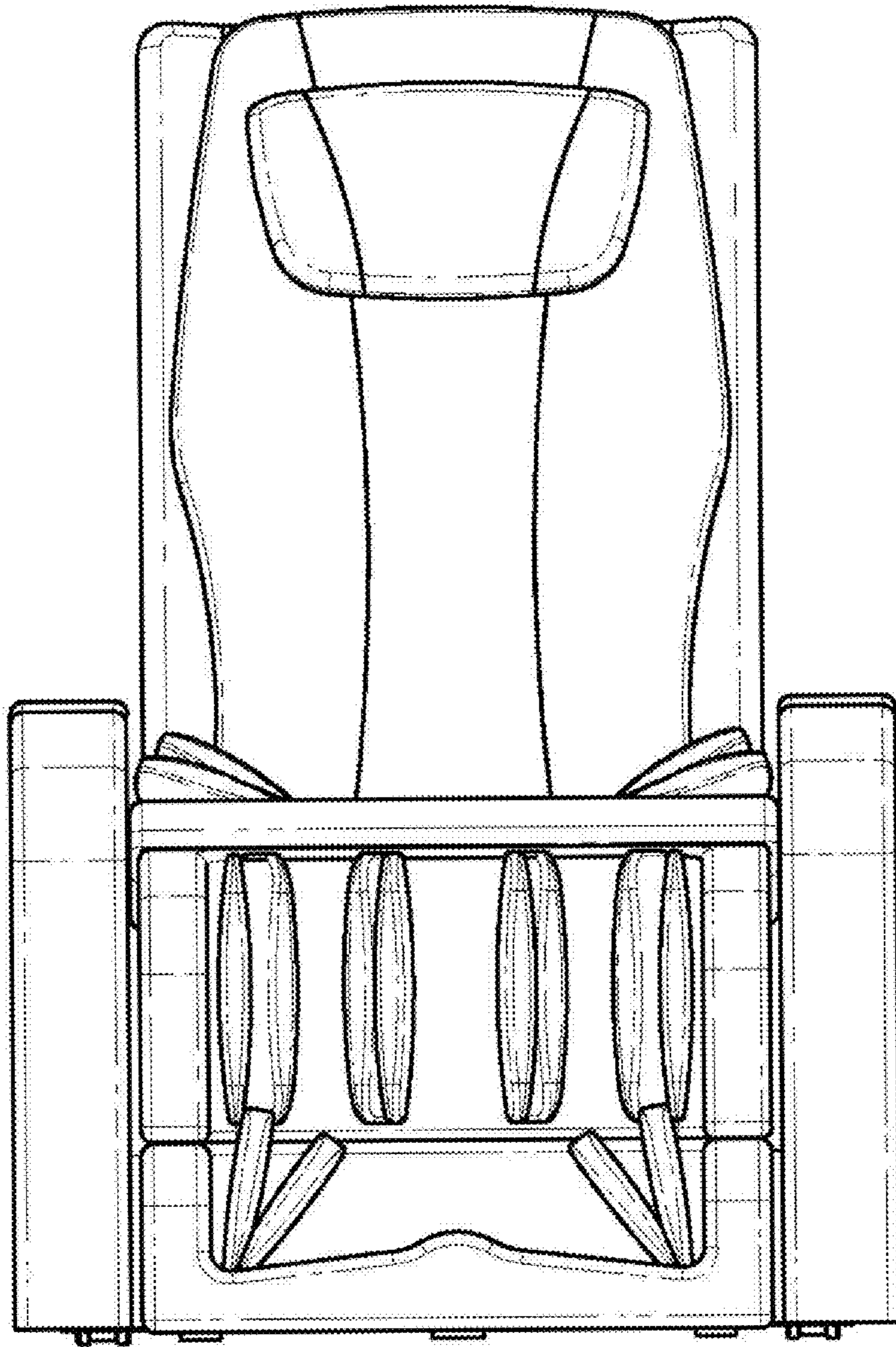


FIG. 3

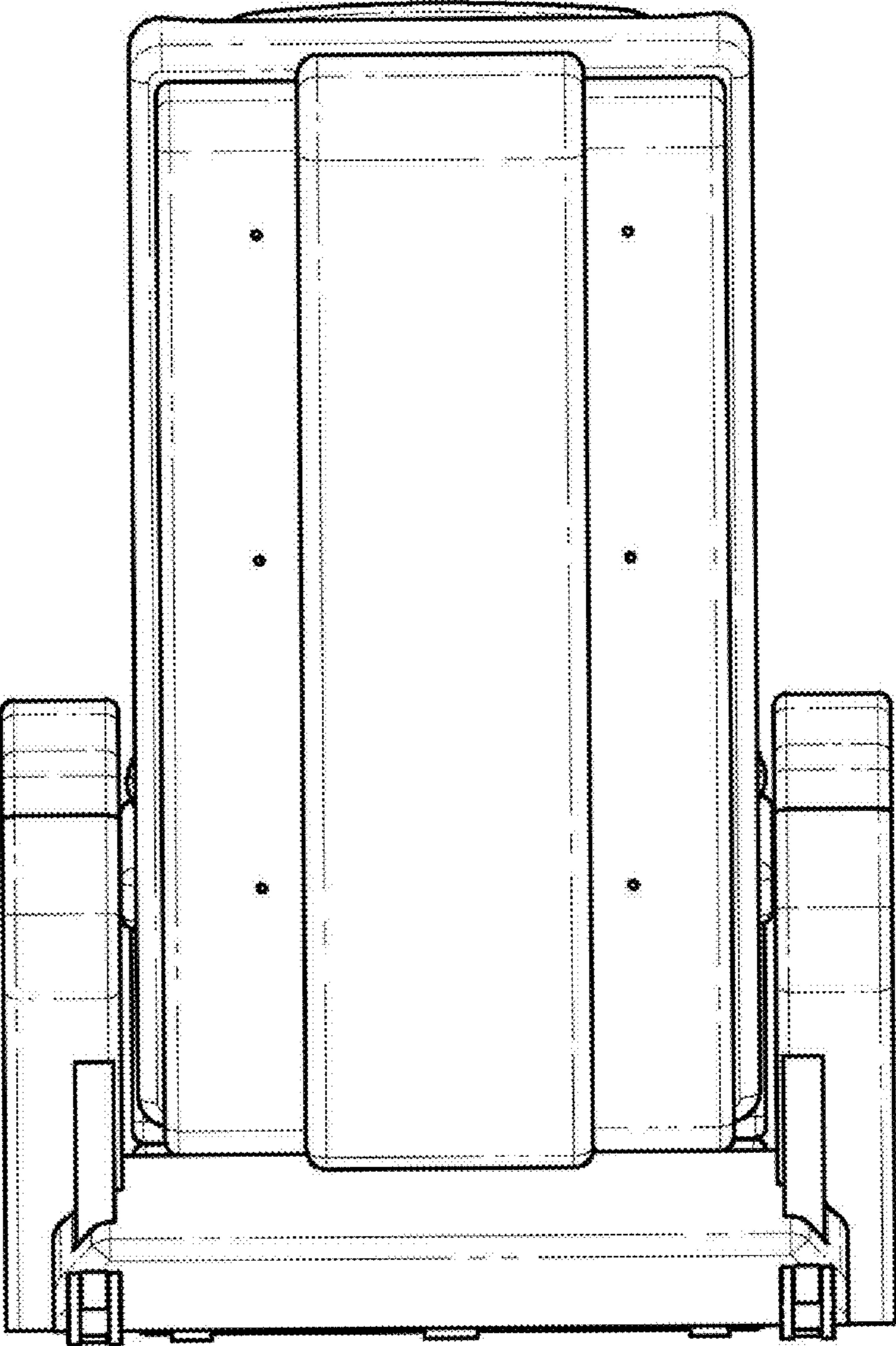


FIG. 4

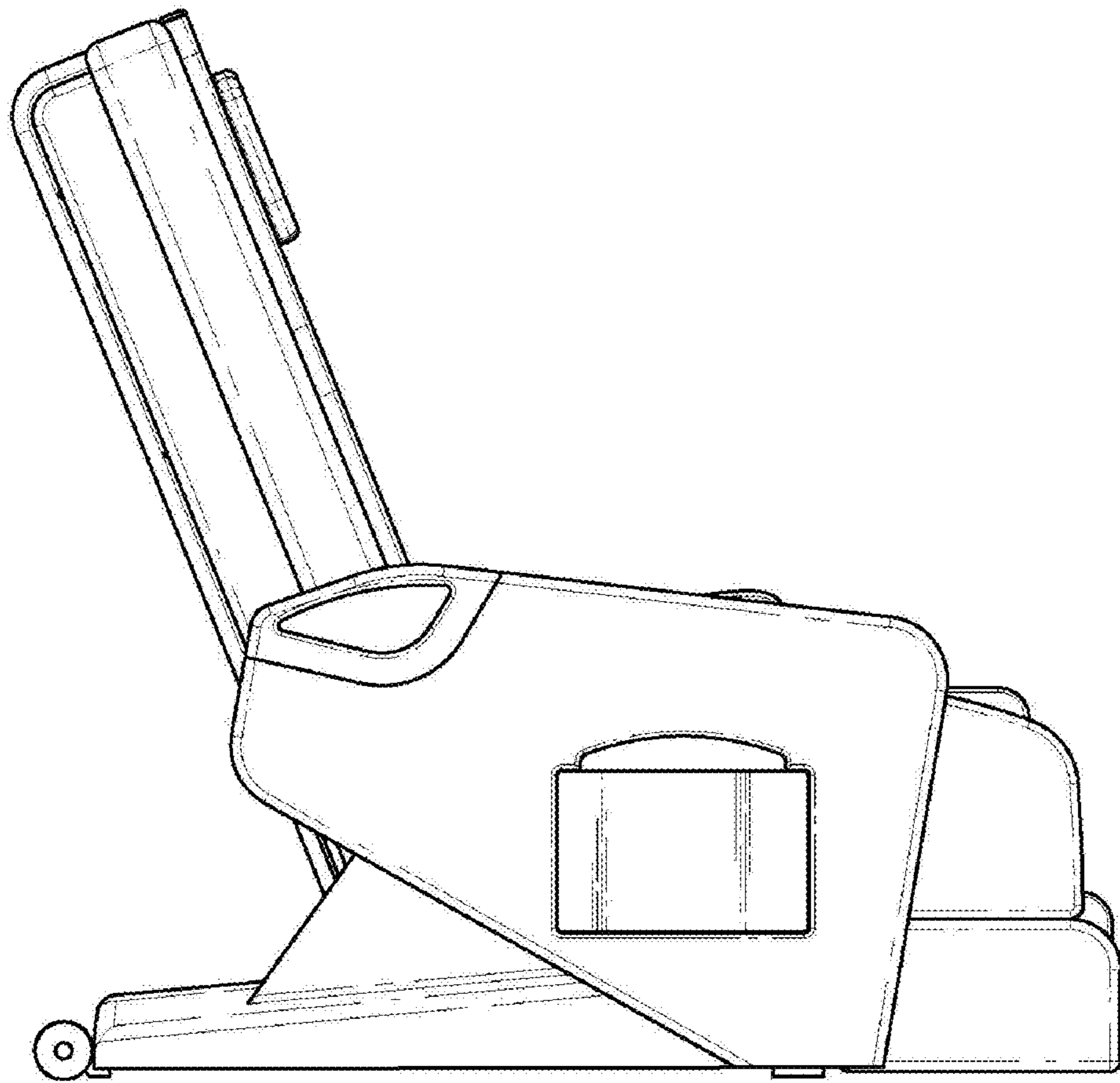


FIG. 5

