



US00D610355S

(12) **United States Design Patent**
Chigira et al.

(10) **Patent No.:** **US D610,355 S**
(45) **Date of Patent:** **** Feb. 23, 2010**

(54) **IMAGE DISPLAY APPARATUS**

(75) Inventors: **Yasuko Chigira**, Shiroi (JP); **Koji Nagase**, Hachioji (JP)

(73) Assignee: **Kabushiki Kaisha Toshiba** (JP)

(**) Term: **14 Years**

(21) Appl. No.: **29/339,115**

(22) Filed: **Jun. 24, 2009**

(51) **LOC (9) Cl.** **06-07**

(52) **U.S. Cl.** **D6/308; D6/310; D14/374**

(58) **Field of Classification Search** D6/300,
D6/308, 310, 311; D10/75, 15, 24; 40/700,
40/714, 721, 768, 717; D14/374, 371, 372,
D14/448, 449, 450, 375, 381, 382, 336, 337
See application file for complete search history.

(56) **References Cited**

U.S. PATENT DOCUMENTS

D406,699 S *	3/1999	Mullen	D6/300
D452,507 S *	12/2001	Tatsukoshi	D14/448
D568,055 S *	5/2008	Fernandez	D6/308
D572,023 S *	7/2008	Park	D6/300
D572,025 S *	7/2008	Kwon	D6/308
D583,572 S *	12/2008	Zhai et al.	D6/308
D591,518 S *	5/2009	Zhai et al.	D6/308

FOREIGN PATENT DOCUMENTS

CN 300738976D 1/2008

CN	300815805D	8/2008
JP	D1344802	11/2008
KR	30-0373035	1/2005
KR	30-0483290	3/2008

* cited by examiner

Primary Examiner—Janice E Seeger

Assistant Examiner—Sydney R Buffalow

(74) *Attorney, Agent, or Firm*—Banner & Witcoff, Ltd.

(57) **CLAIM**

The ornamental design for an image display apparatus, as shown and described.

DESCRIPTION

FIG. 1 is a front, top and right side perspective view of an image display apparatus, showing our new design;

FIG. 2 is a rear, top and left side perspective view thereof;

FIG. 3 is a front elevational view thereof;

FIG. 4 is a rear elevational view thereof;

FIG. 5 is a left side elevational view thereof;

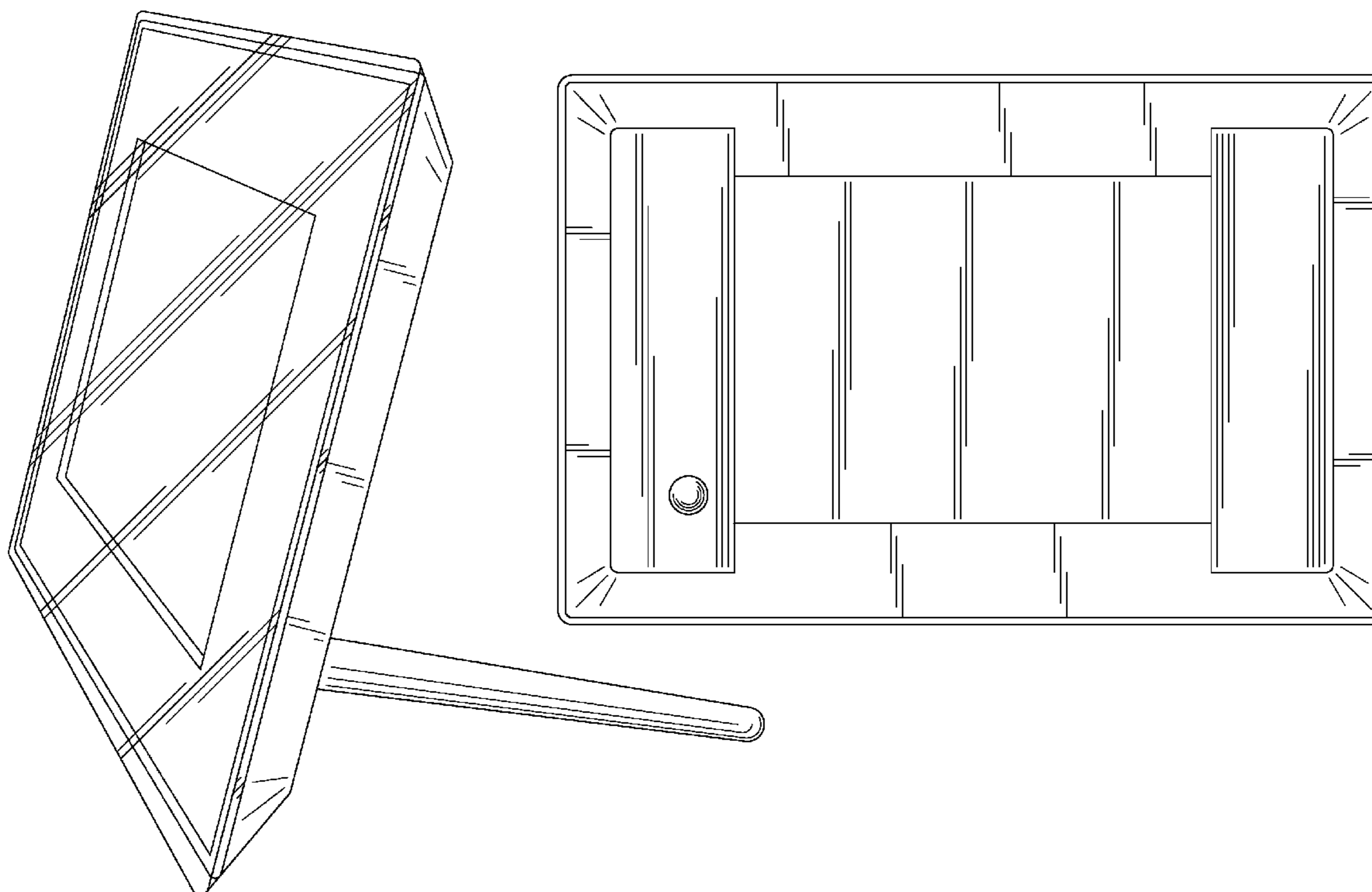
FIG. 6 is a right side elevational view thereof;

FIG. 7 is a top plan view thereof; and,

FIG. 8 is a bottom plan view thereof.

The broken lines are for the illustrative purposes only and form no part of the claimed design.

1 Claim, 8 Drawing Sheets



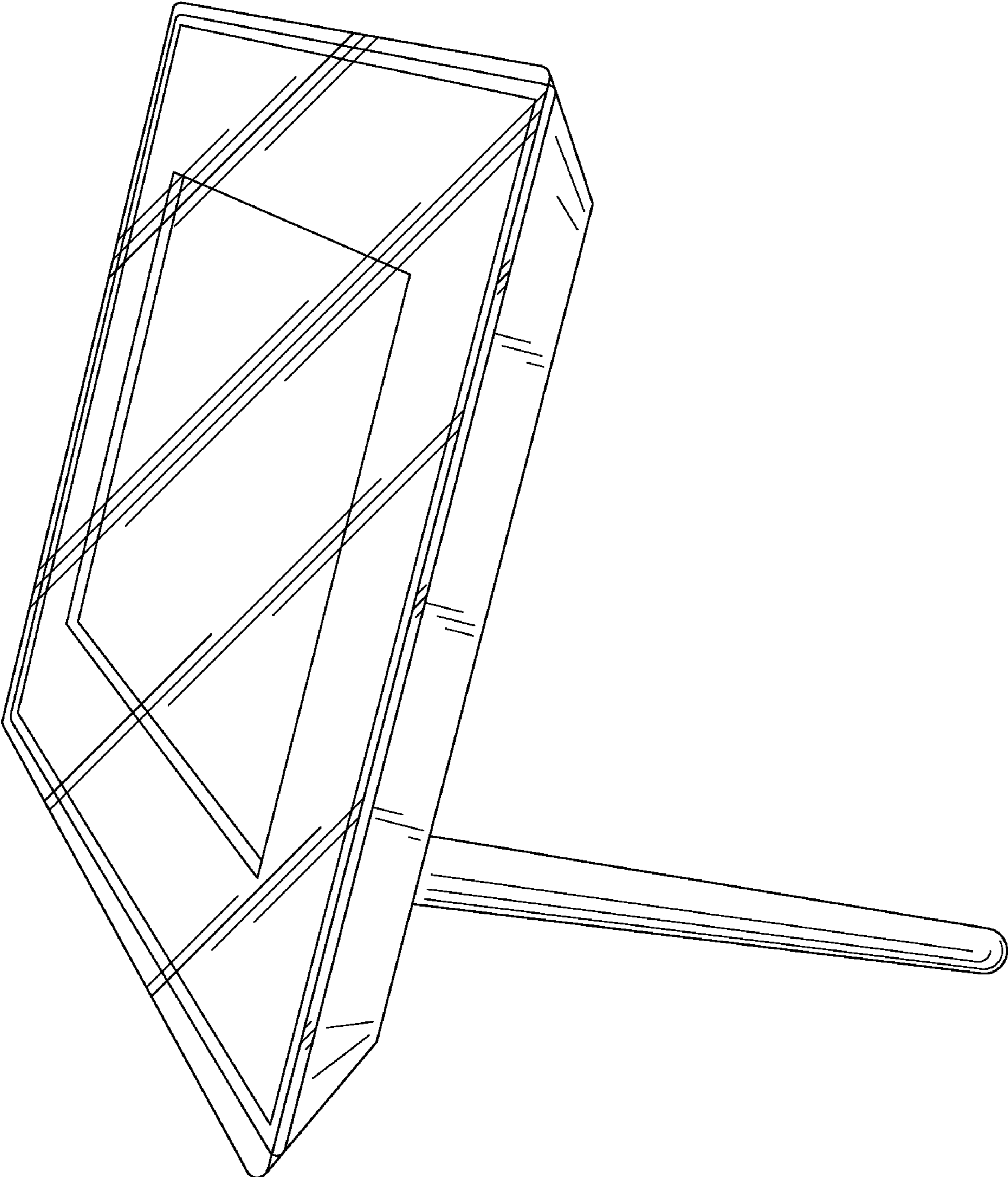


FIG. 1

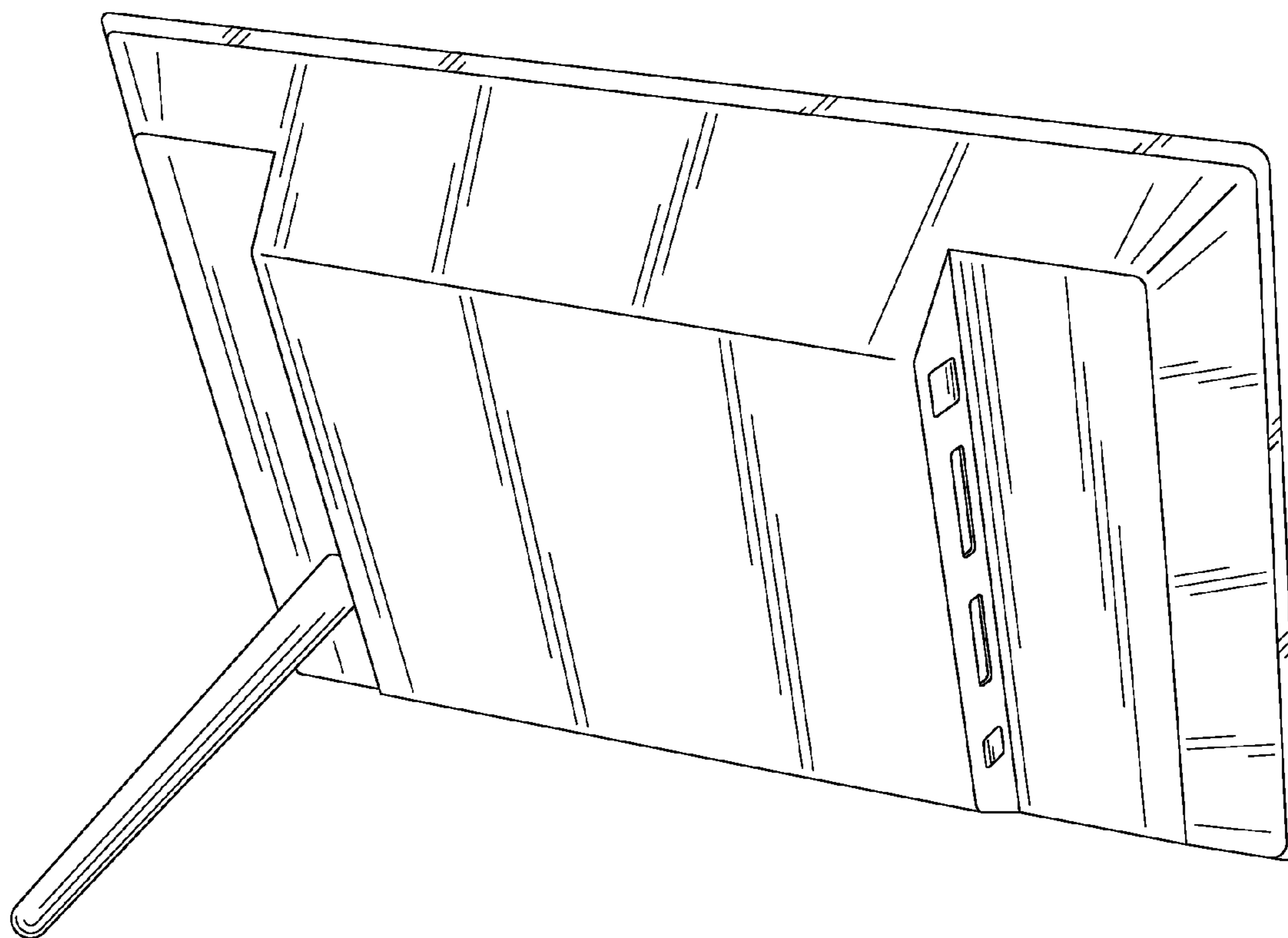


FIG. 2

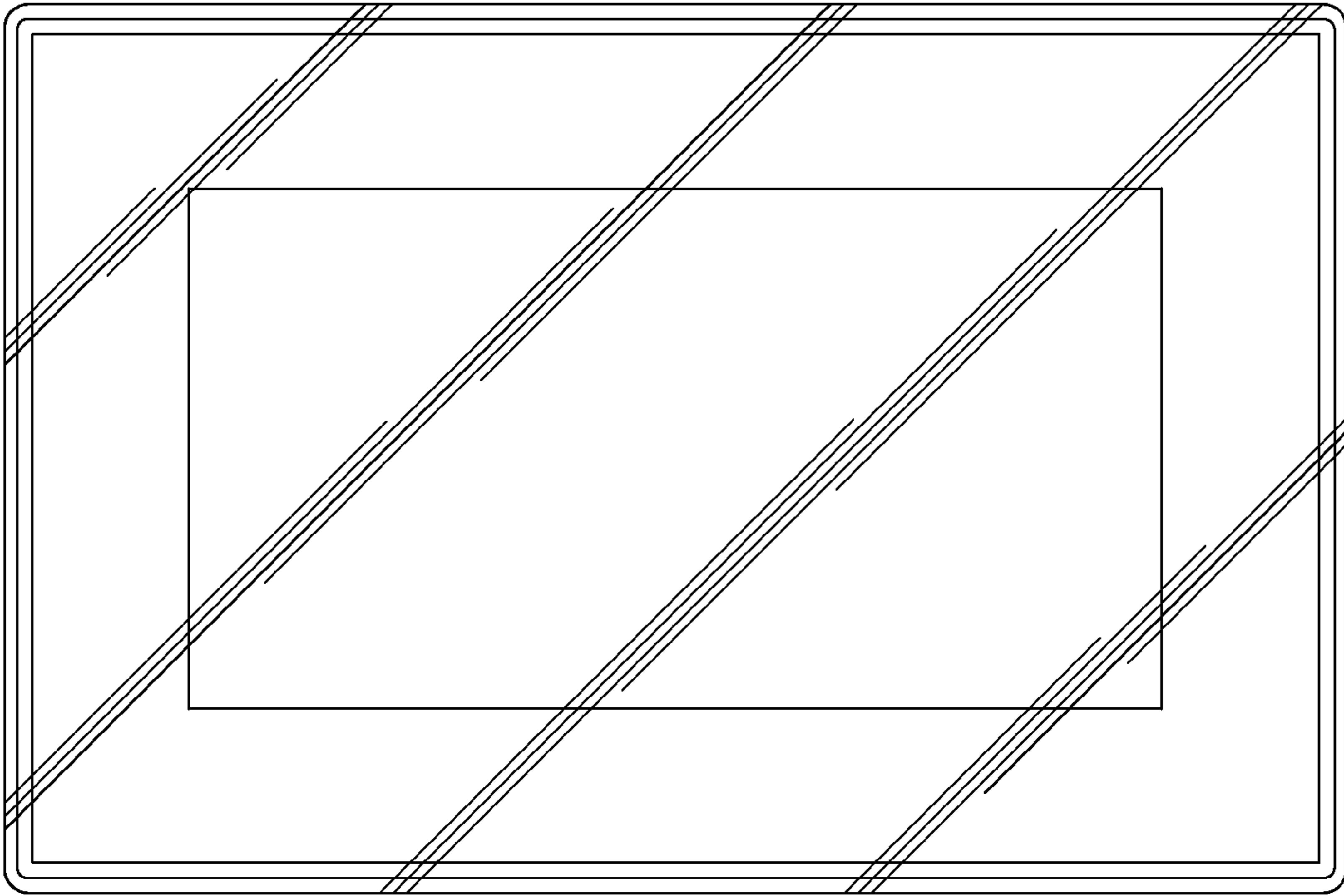


FIG. 3

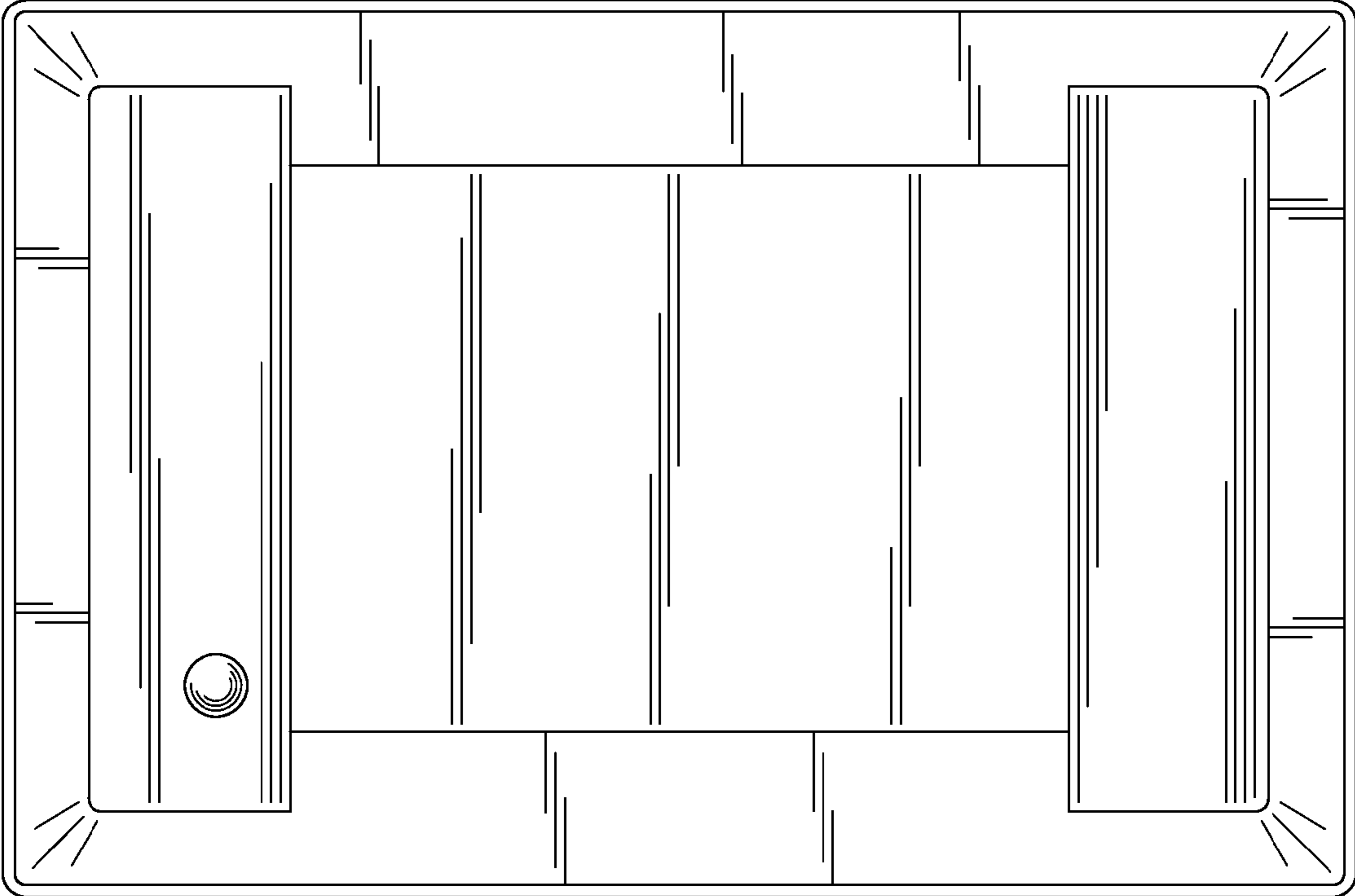


FIG. 4

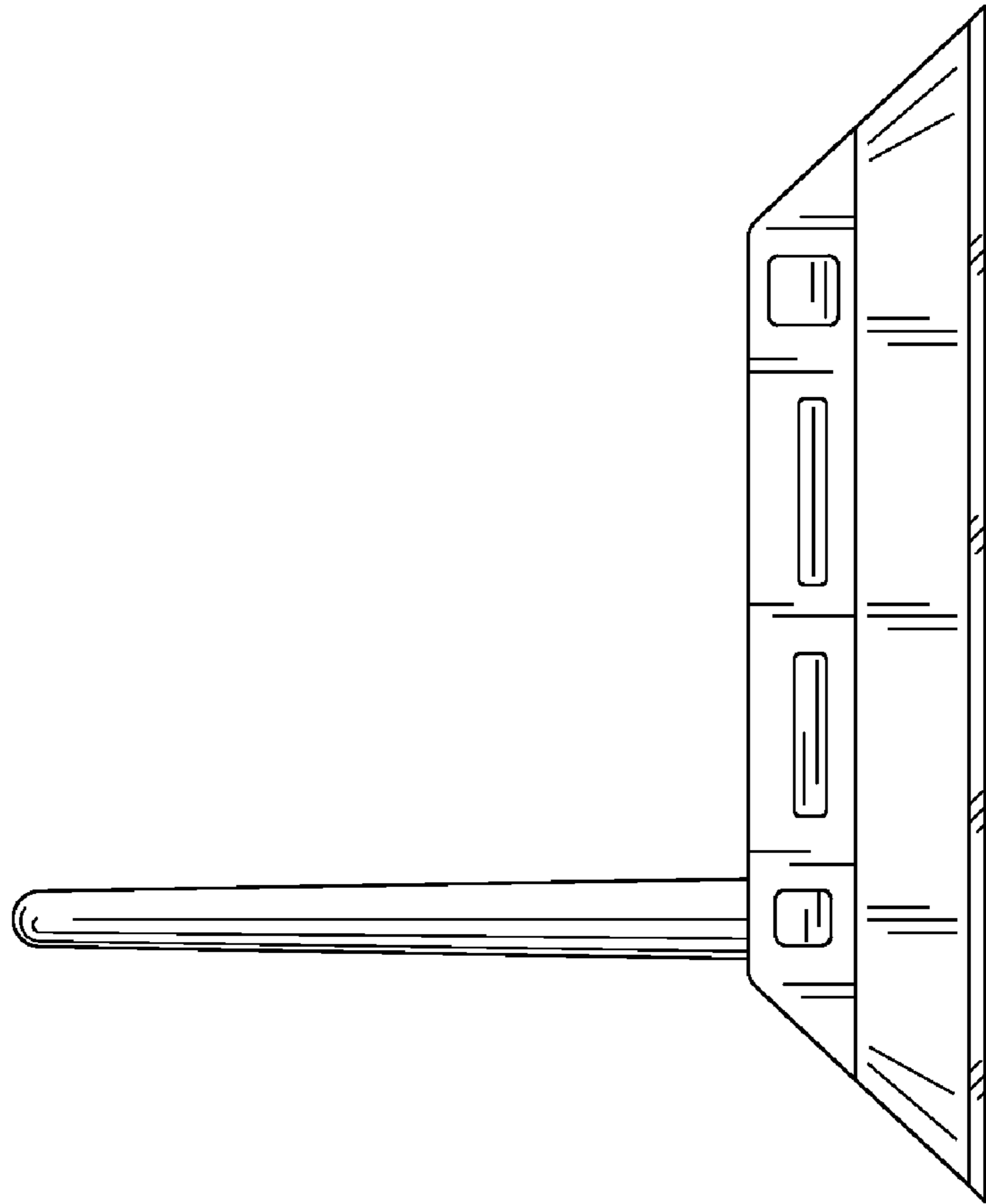


FIG. 5

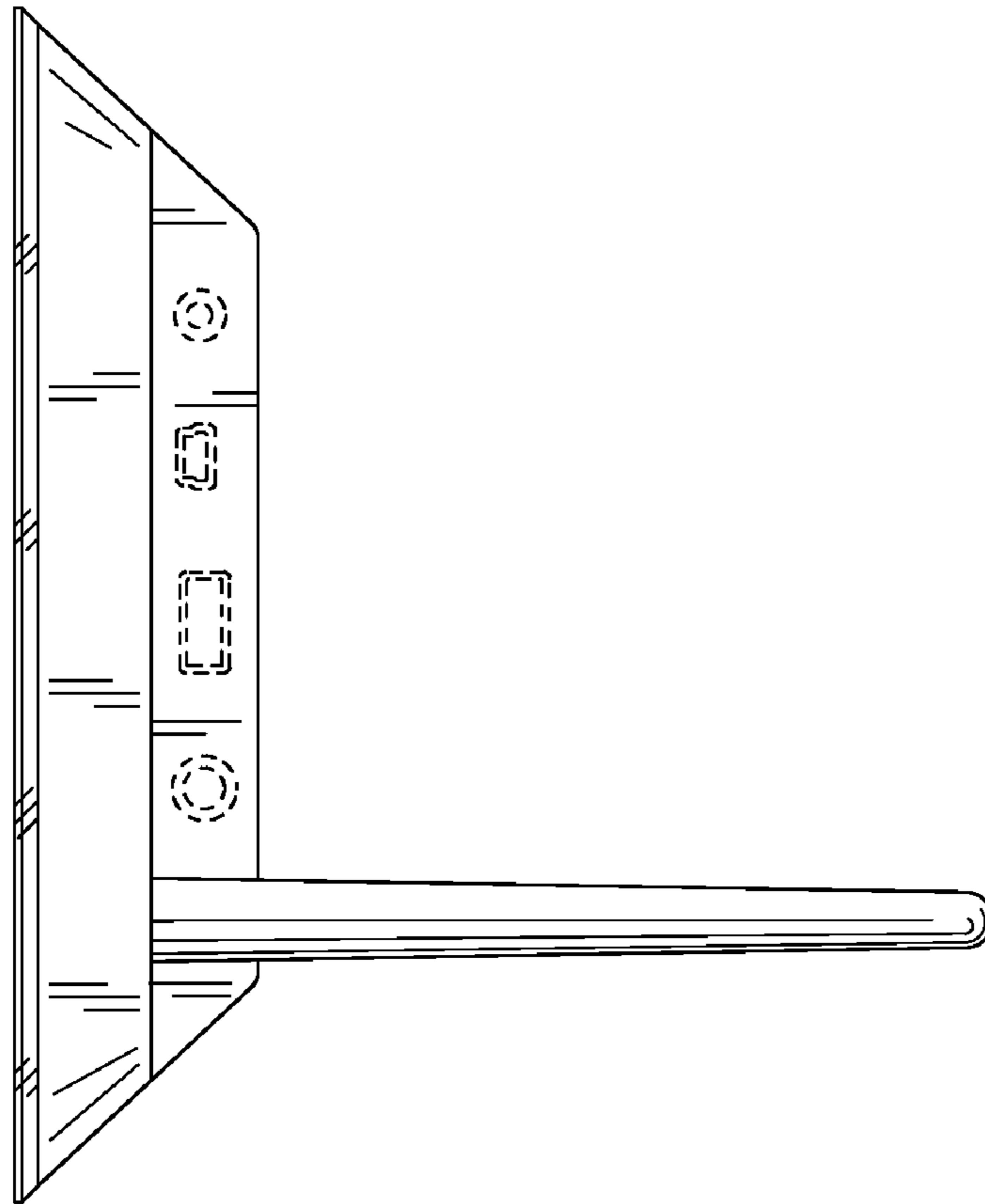


FIG. 6

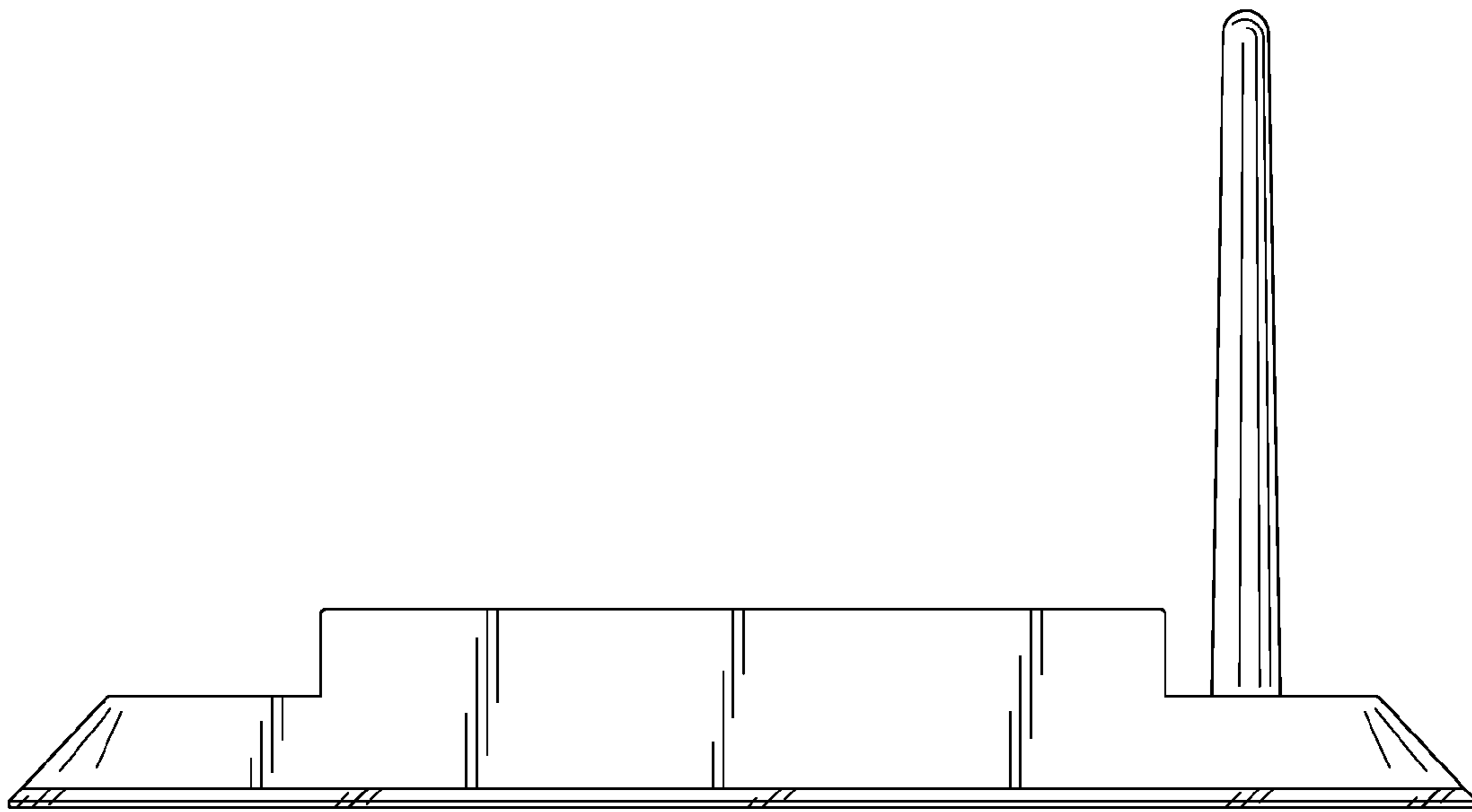


FIG. 7

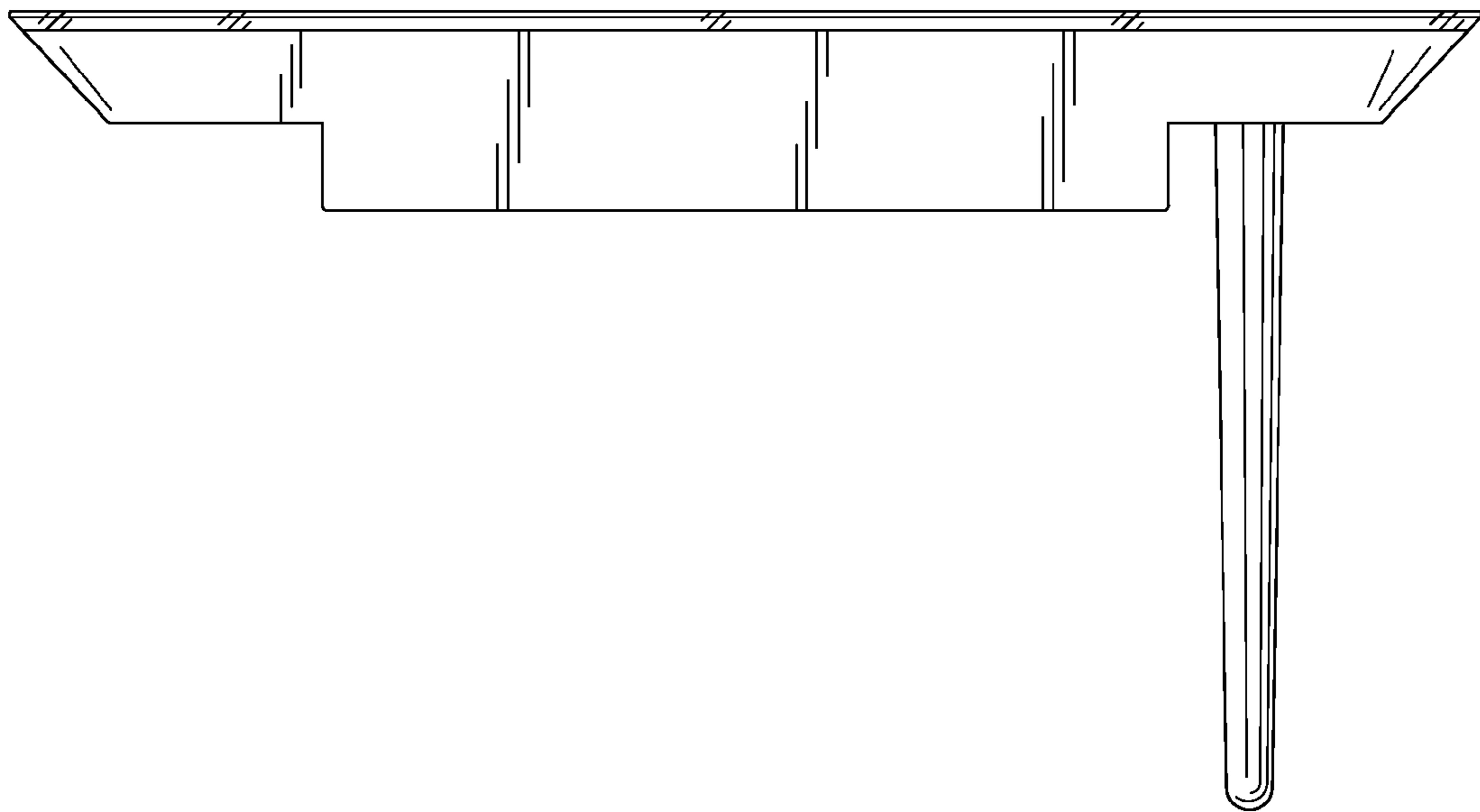


FIG. 8