



US00D610351S

(12) **United States Design Patent**  
**Brunner**

(10) **Patent No.:** **US D610,351 S**  
(45) **Date of Patent:** **\*\* Feb. 23, 2010**

(54) **TOOL ORGANIZER**

D331,317 S 12/1992 Tsai

(75) Inventor: **Yaron Brunner**, Timrat (IL)

(Continued)

(73) Assignee: **Keter Plastic Ltd.**, Herzelyia (IL)

**OTHER PUBLICATIONS**

(\*\*) Term: **14 Years**

Stanley Cantilever Toolbox at <http://www.focusdiy.co.uk/invt/22386>. Downloaded Jul. 19, 2009.\*

(21) Appl. No.: **29/309,995**

*Primary Examiner*—Philip S Hyder

(22) Filed: **Dec. 1, 2008**

*Assistant Examiner*—Roselynn Cody

(74) *Attorney, Agent, or Firm*—The Nath Law Group; Derek Richmond

**Related U.S. Application Data**

(63) Continuation-in-part of application No. 29/274,472, filed on Apr. 26, 2007, now abandoned.

(57) **CLAIM**

(51) **LOC (9) Cl.** ..... **03-01**

What is claimed is the ornamental design for a tool organizer, as shown and described.

(52) **U.S. Cl.** ..... **D3/295; D3/273; D3/905**

(58) **Field of Classification Search** ..... D3/260,  
D3/273–274, 276, 281, 283–284, 291, 294–295,  
D3/901, 905; D22/126; 190/17; 206/315.11,  
206/349, 372–373, 376, 379  
See application file for complete search history.

**DESCRIPTION**

(56) **References Cited**

**U.S. PATENT DOCUMENTS**

1,766,553 A	6/1930	Shriver	
1,800,186 A	4/1931	Shriver	
1,925,409 A	9/1933	Shriver	
1,992,435 A *	2/1935	Labadie et al.	190/17
2,347,270 A *	4/1944	Larsson	312/244
D178,950 S	10/1956	Berry	
2,879,916 A	3/1959	Hoffmann et al.	
3,346,733 A *	10/1967	Woolworth	362/156
3,410,018 A *	11/1968	Woolworth	43/26
3,606,511 A *	9/1971	Henning	312/266
3,985,409 A *	10/1976	Kneier	312/271
4,691,470 A *	9/1987	Landell et al.	43/55
D308,915 S	7/1990	Lanius	
D326,559 S	6/1992	Szablak et al.	

FIG. 1 is a perspective view of a tool organizer at a closed position, with the handle at a horizontal position;

FIG. 2 is a perspective view of the tool organizer at a closed position with the handle at an upright position;

FIG. 3 is a perspective view of the tool organizer at a fully opened position;

FIG. 4 is a top view of the tool organizer at a closed position;

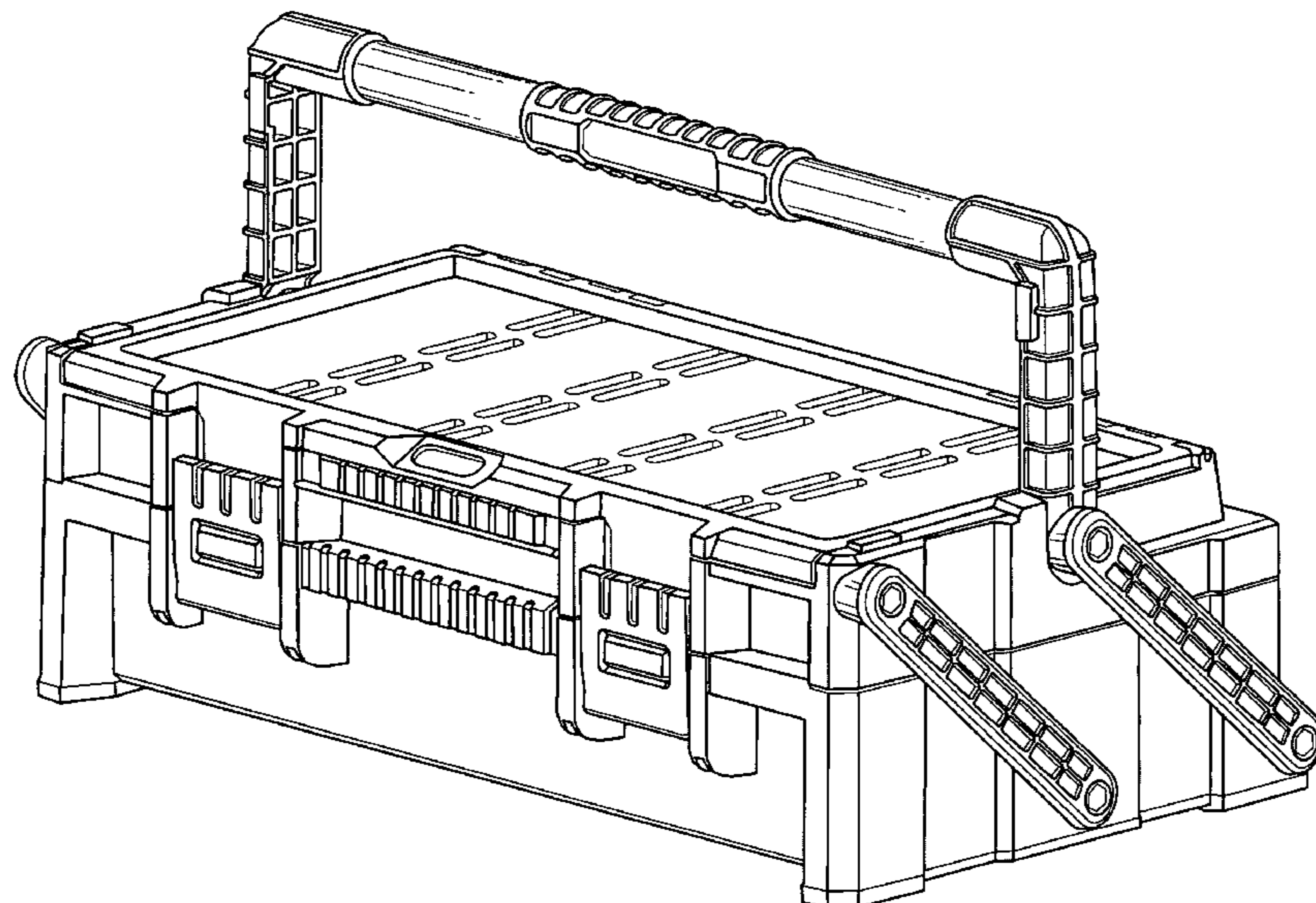
FIG. 5 is a left side view of the tool organizer at a closed position, the right side being a mirror image;

FIG. 6 is a left side view of the tool organizer at an opened position, the right side being a mirror image;

FIG. 7 is a top view of the tool organizer at an opened position; and,

FIG. 8 is a rear perspective view of the tool organizer at an opened position.

**1 Claim, 8 Drawing Sheets**



# US D610,351 S

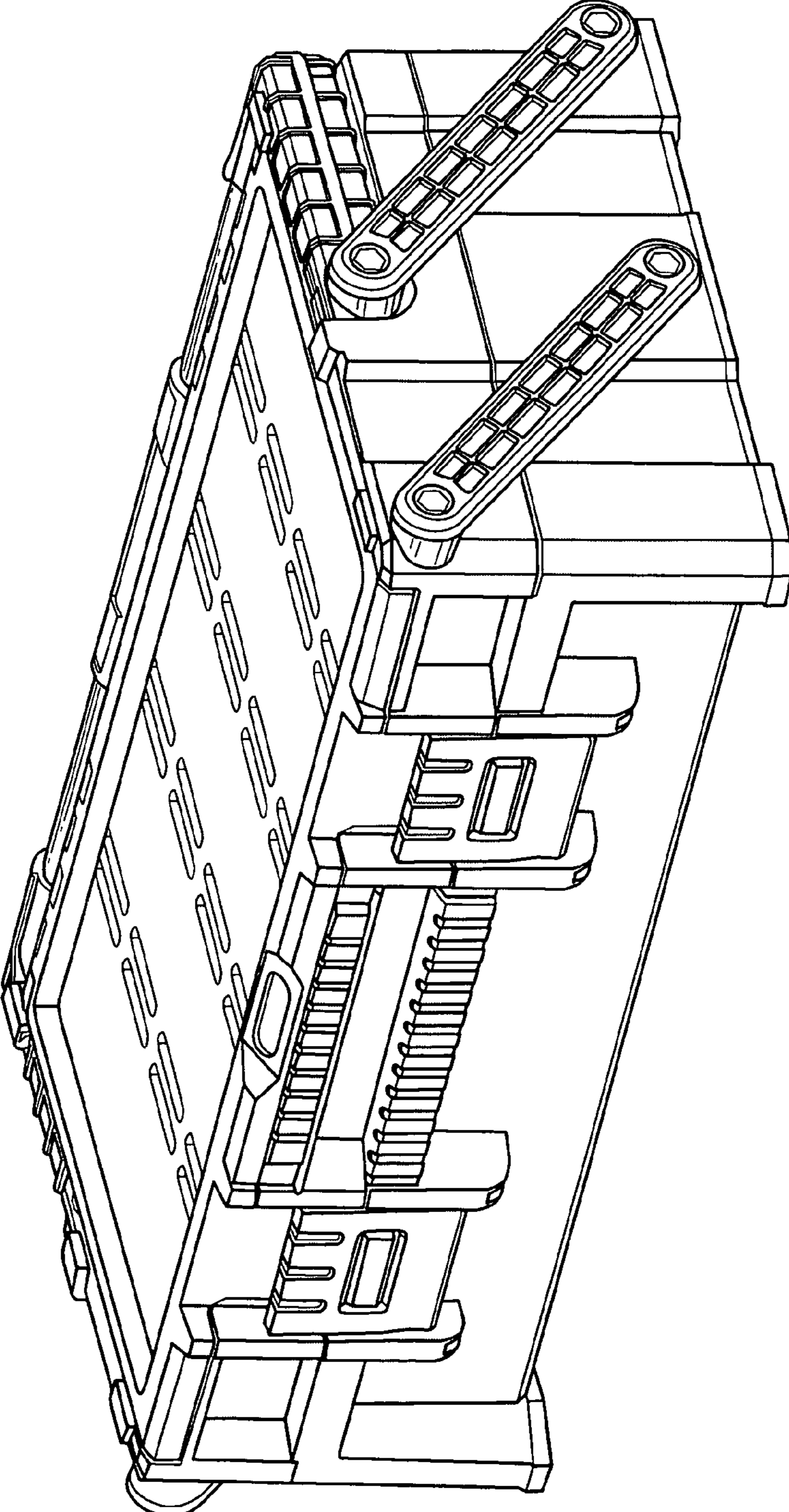
Page 2

---

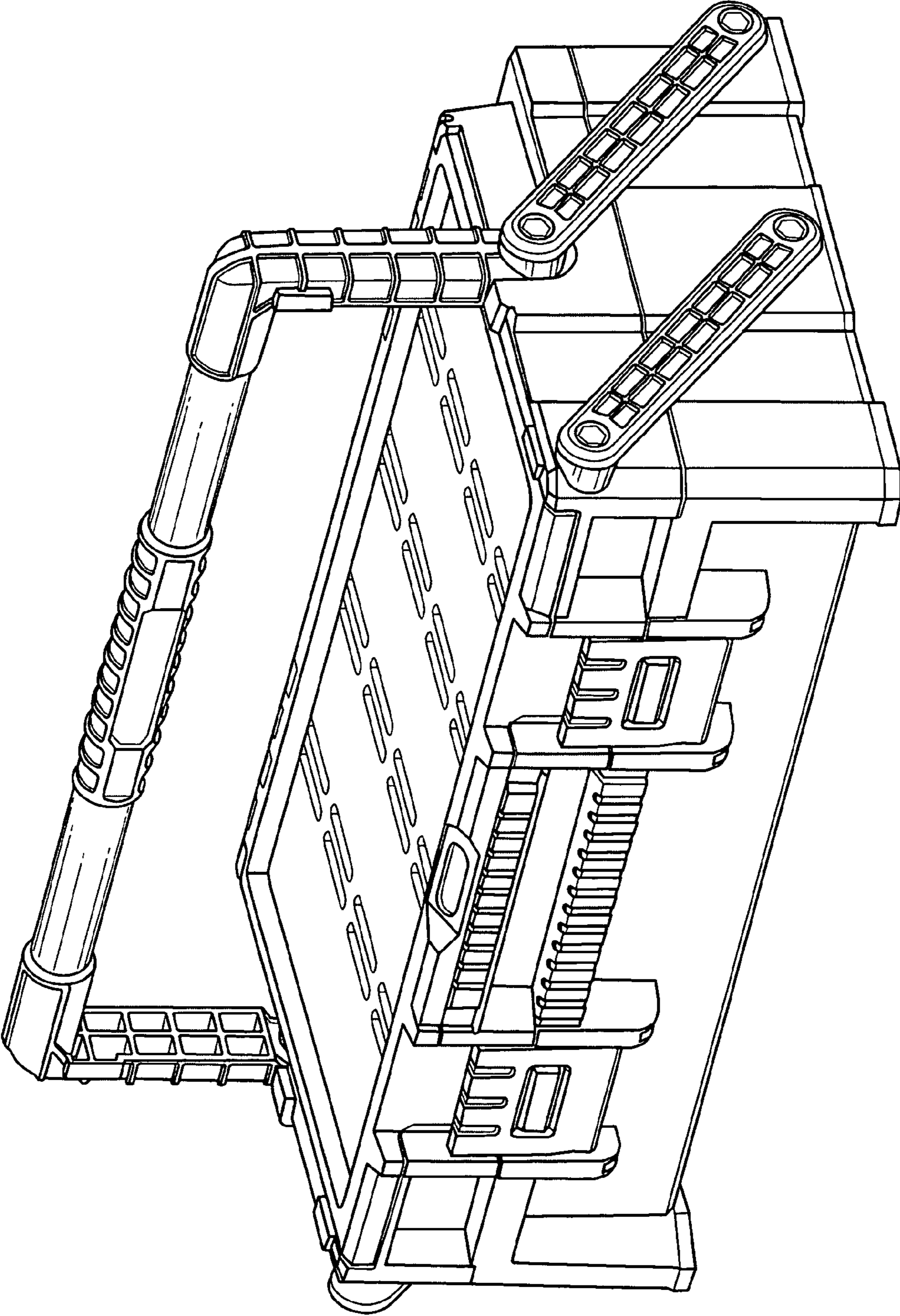
## U.S. PATENT DOCUMENTS

5,226,553 A	7/1993	Fiore	D496,531 S	9/2004	Einav et al.
D353,049 S	12/1994	Schmidt	D514,314 S	2/2006	Singh et al.
D364,426 S	11/1995	Bucaccio	7,246,718 B2	7/2007	Einav et al.
D440,401 S	4/2001	Pauser et al.	7,255,229 B2	8/2007	Roesler
6,237,765 B1	5/2001	Hagen et al.	2006/0169613 A1	8/2006	Roesler
6,484,880 B1	11/2002	Shaeffer	2006/0226042 A1	10/2006	Seymour et al.

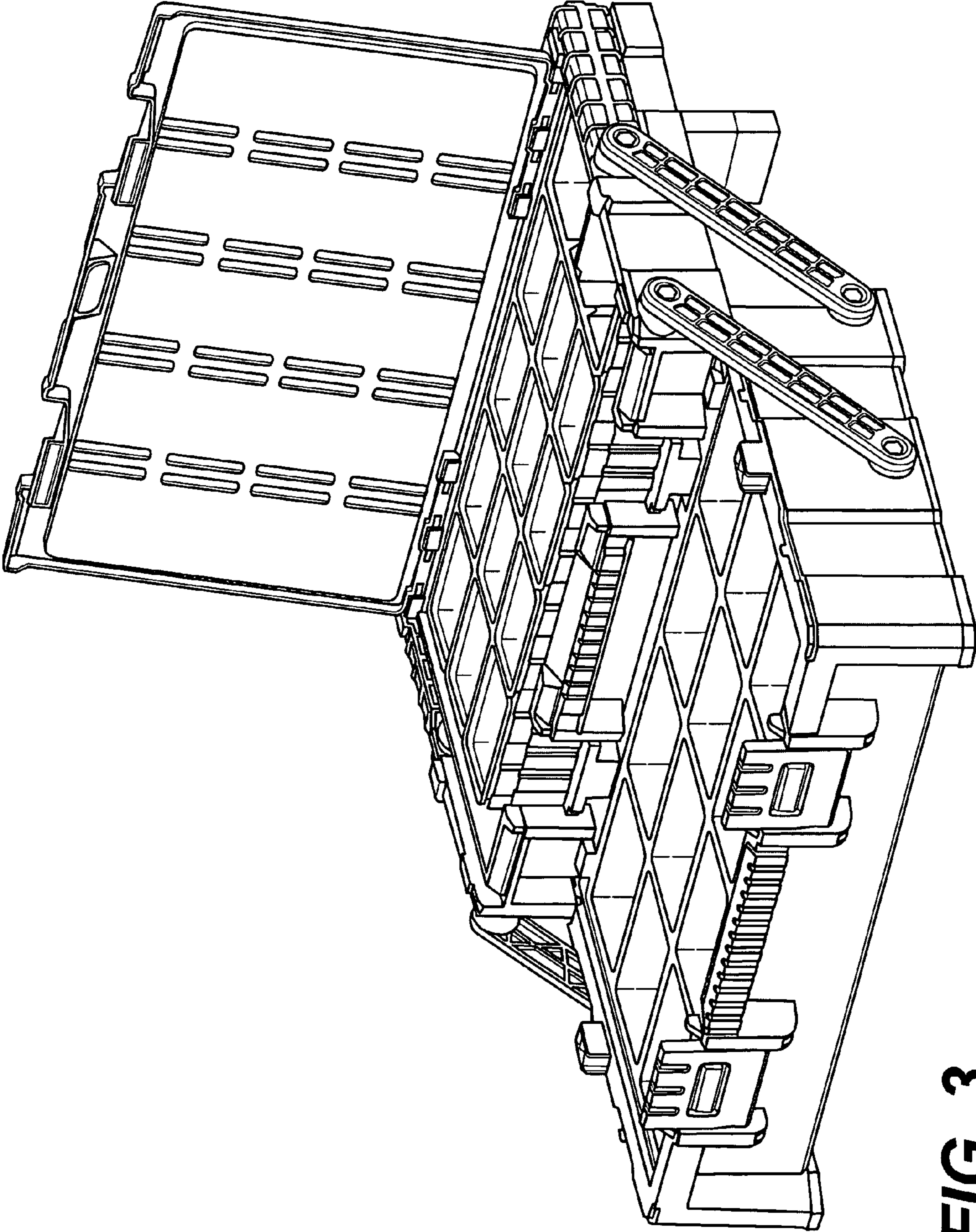
\* cited by examiner



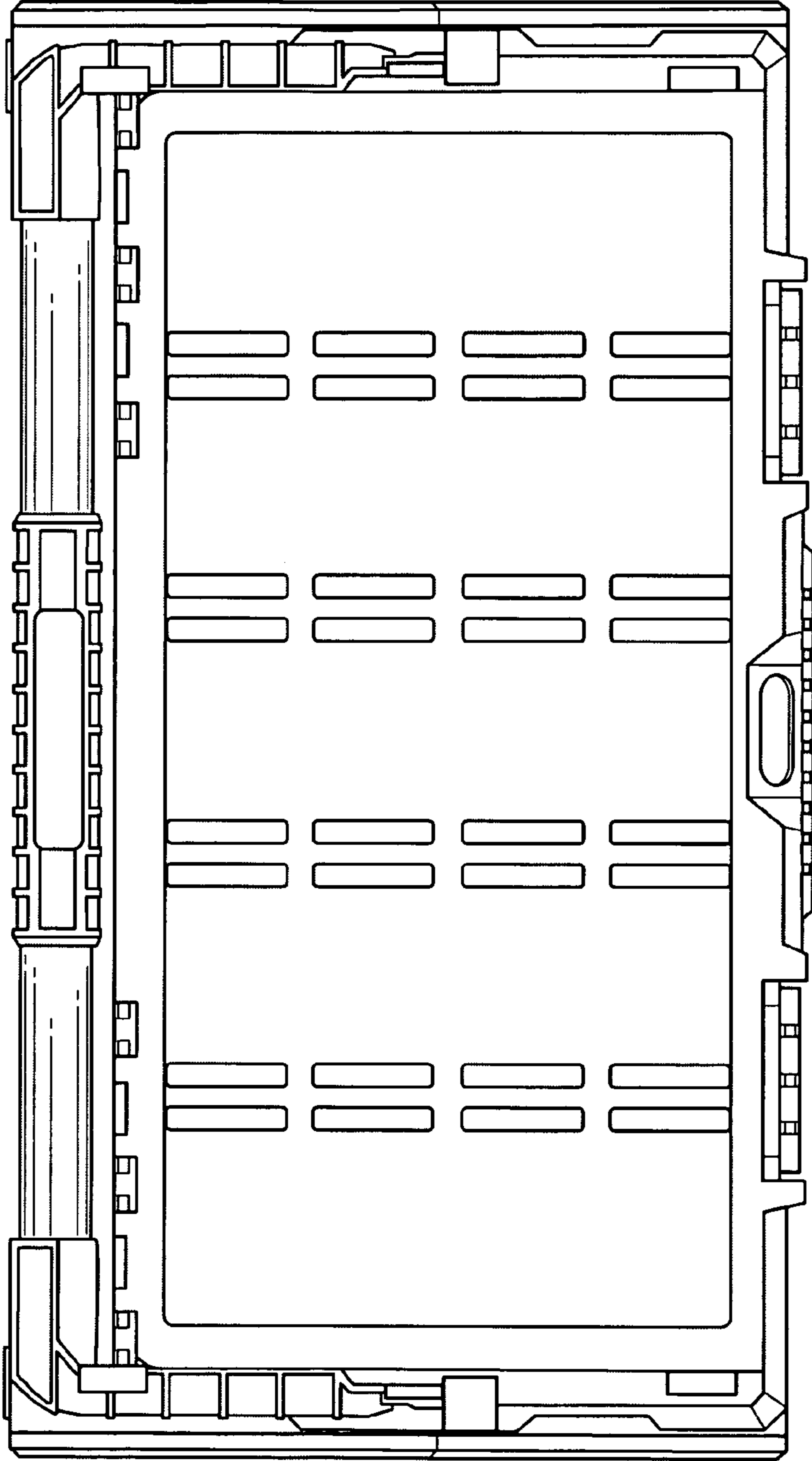
**FIG. 1**



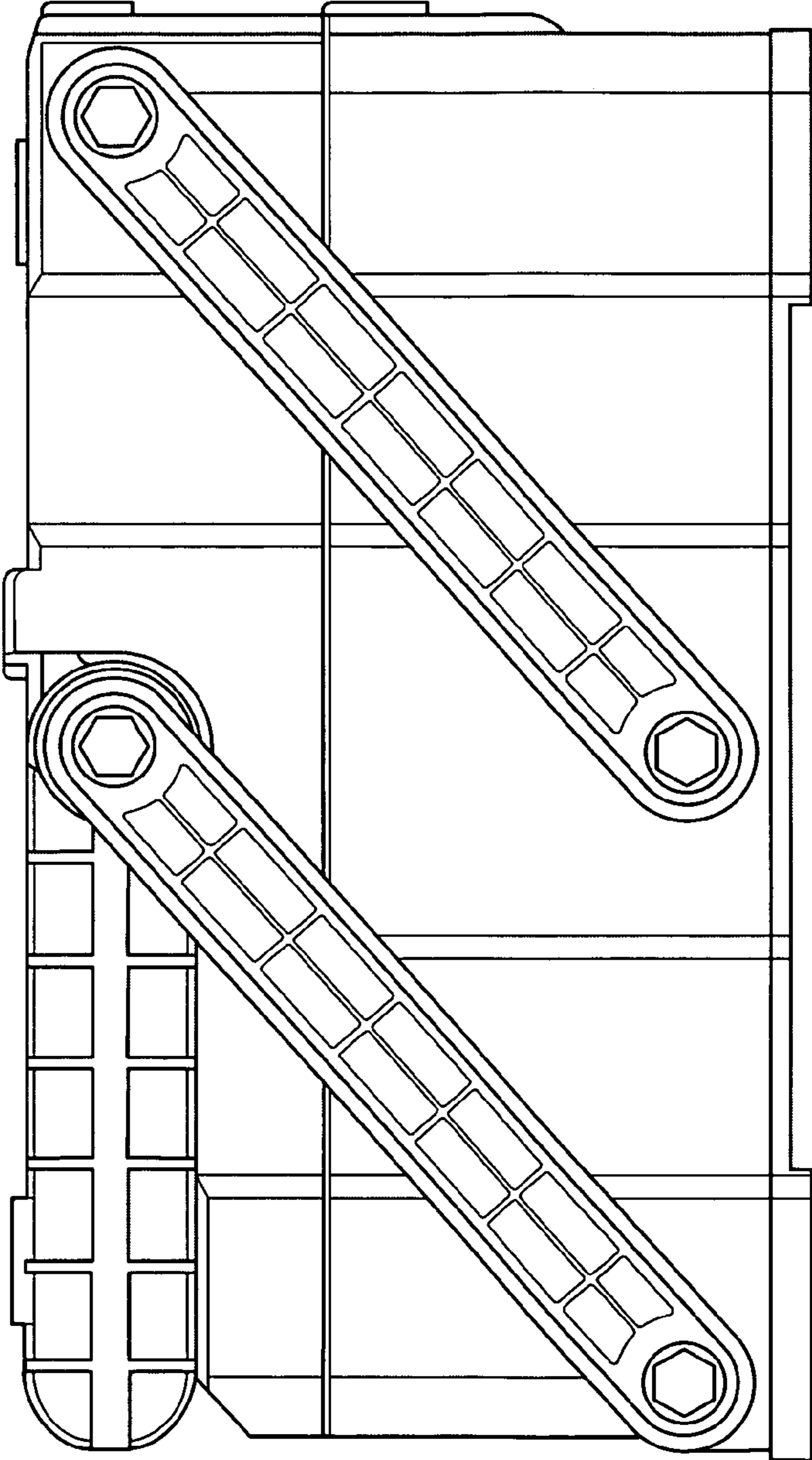
**FIG. 2**



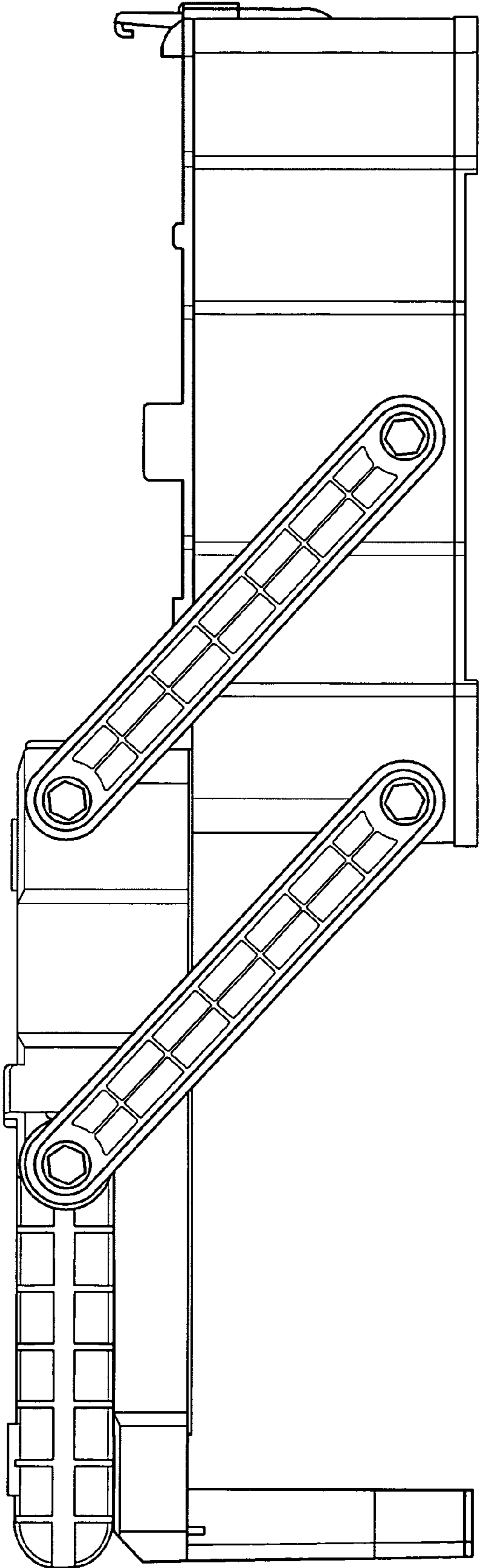
**FIG. 3**



**FIG. 4**

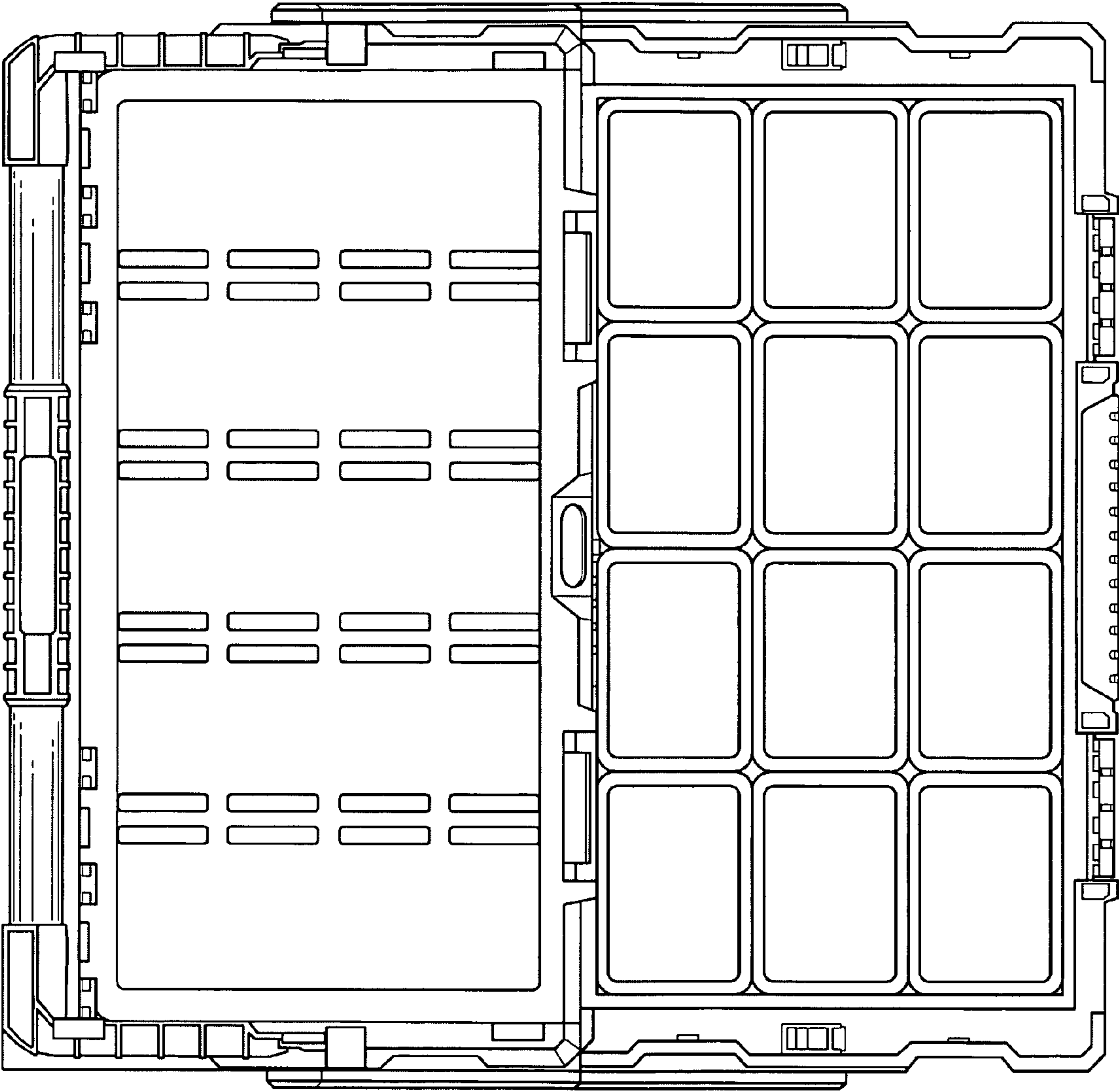


**FIG. 5**

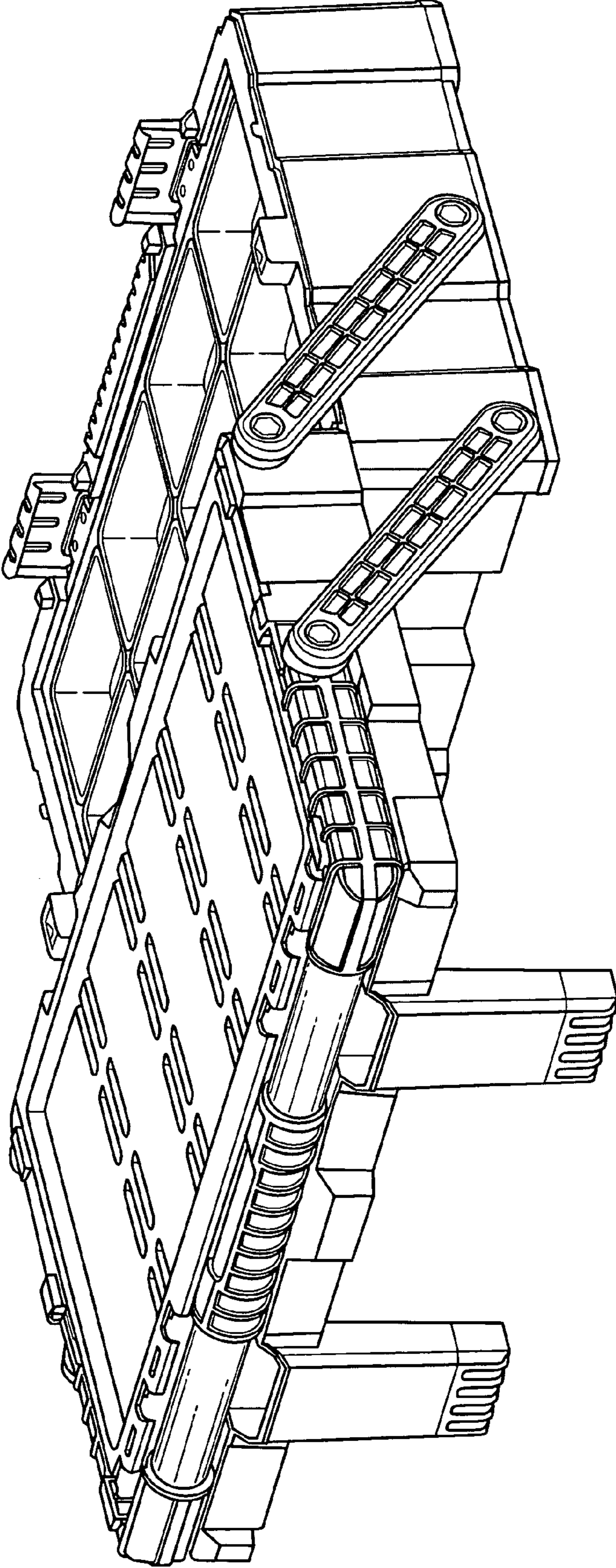


**FIG. 6**





**FIG. 7**



**FIG. 8**