



US00D610350S

(12) **United States Design Patent**
Smith

(10) **Patent No.:** **US D610,350 S**

(45) **Date of Patent:** **** Feb. 23, 2010**

(54) **MEMORABILIA CONTAINER**

(76) **Inventor:** **David Arnold Smith**, 2635 Sunset Blvd., Houston, TX (US) 77005

(**) **Term:** **14 Years**

(21) **Appl. No.:** **29/332,658**

(22) **Filed:** **Feb. 21, 2009**

(51) **LOC (9) Cl.** **03-01**

(52) **U.S. Cl.** **D3/294**

(58) **Field of Classification Search** D3/272–275,
D3/276, 283–284, 288, 294–296, 901, 903;
D19/36; D99/5; D6/330–331, 440, 445;
206/1.5, 6.1, 320, 576; 312/114

See application file for complete search history.

(56) **References Cited**

U.S. PATENT DOCUMENTS

1,337,178	A *	4/1920	Swerer	312/283
1,655,341	A	1/1928	Snellgrove	
1,883,793	A	10/1932	Johnson	
4,633,091	A	11/1933	Clink	
3,394,861	A	7/1968	Truax	
4,364,489	A *	12/1982	Alexeeff	220/826
D270,305	S *	8/1983	Errigo	D3/274
D272,546	S	2/1984	Holson	
4,702,534	A *	10/1987	Witt et al.	312/114
5,096,056	A	3/1992	Garcia	
D326,279	S *	5/1992	Logan	D19/36
D332,466	S *	1/1993	Logan	D19/36
D349,812	S *	8/1994	Rockery et al.	D3/273
D397,869	S *	9/1998	Minhas	D3/294
6,012,789	A	1/2000	Lai	
D431,188	S	9/2000	Monn	
D432,306	S *	10/2000	Welch	D3/295
D438,362	S *	2/2001	Robinson	D99/5
D438,687	S *	3/2001	Robinson	D99/5
D460,259	S *	7/2002	Oelfke	D3/284
D463,662	S	10/2002	Leiden	
D505,766	S *	6/2005	Matthews	D3/270
D510,189	S *	10/2005	Greiner	D3/295

D511,041	S *	11/2005	Sakaguchi	D3/294
D530,916	S *	10/2006	Sakaguchi	D3/294
D549,451	S *	8/2007	Sann	D3/294
D575,510	S *	8/2008	Summers	D3/295
2005/0023335	A1	2/2005	Rasmussen	
2008/0041870	A1	2/2008	Smith	

* cited by examiner

Primary Examiner—Philip S Hyder

Assistant Examiner—Roselynn Cody

(74) *Attorney, Agent, or Firm*—Keeling Patents & Trademarks LLC; Melissa M. Martinez; Kenneth A. Keeling

(57) **CLAIM**

The ornamental design for a memorabilia container, as shown and described.

DESCRIPTION

FIG. 1 shows a front perspective view of the memorabilia container having the side lids open and the back lid closed.

FIG. 2 shows a front perspective view of the memorabilia container having the side lids open and the back lid open.

FIG. 3 shows a front view thereof.

FIG. 4 shows a back view thereof.

FIG. 5 shows a top view thereof.

FIG. 6 shows a bottom view thereof.

FIG. 7 shows a left side view thereof, the right side view being a mirror image.

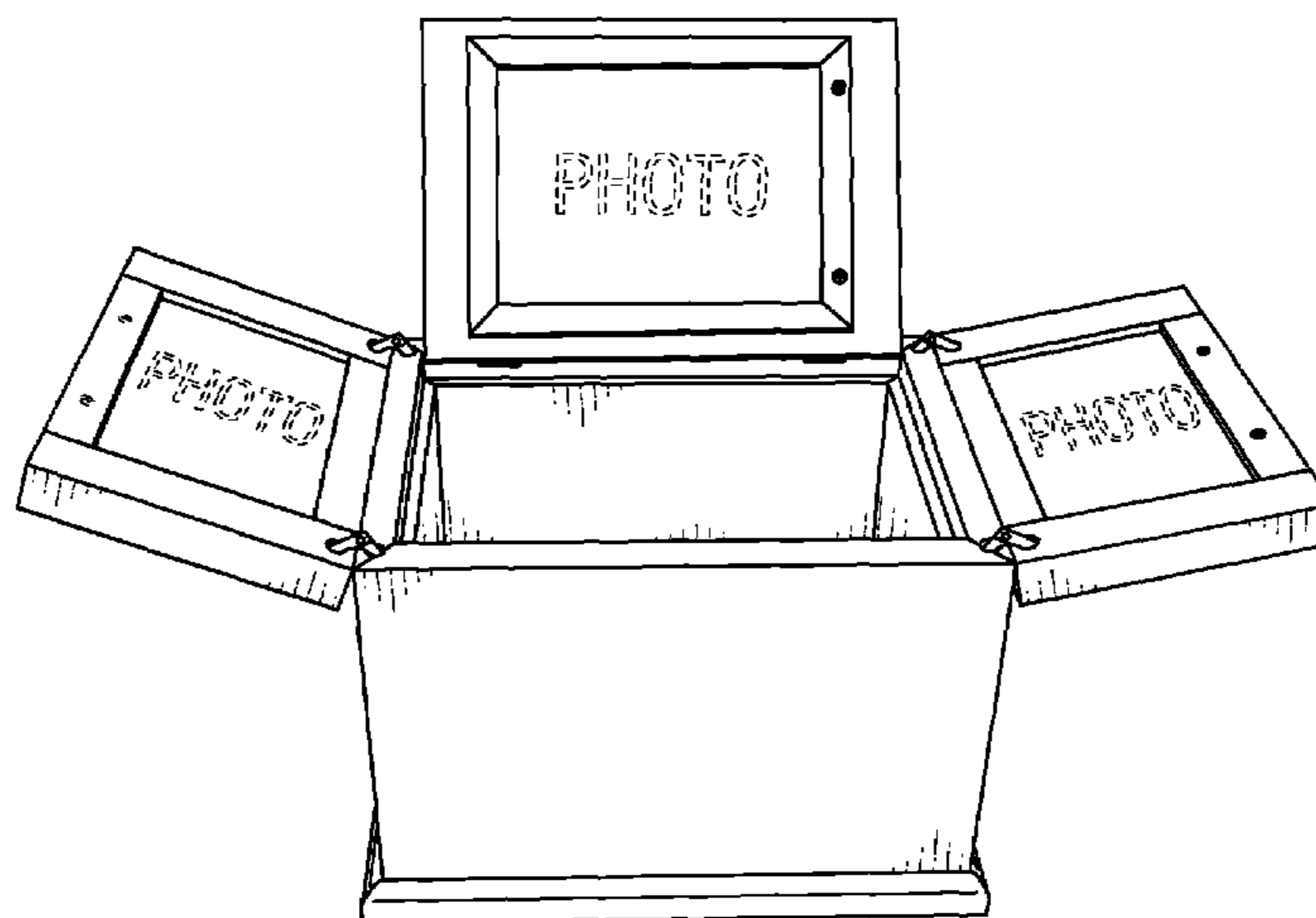
FIG. 8 shows a left side view of the memorabilia container having the side lids closed and the back lid closed, the right side view being a mirror image.

FIG. 9 shows a front view thereof, the back view being a mirror image; and,

FIG. 10 shows a top view thereof.

The broken lines in the figures illustrate aspects of the design for which no claim is made.

1 Claim, 5 Drawing Sheets



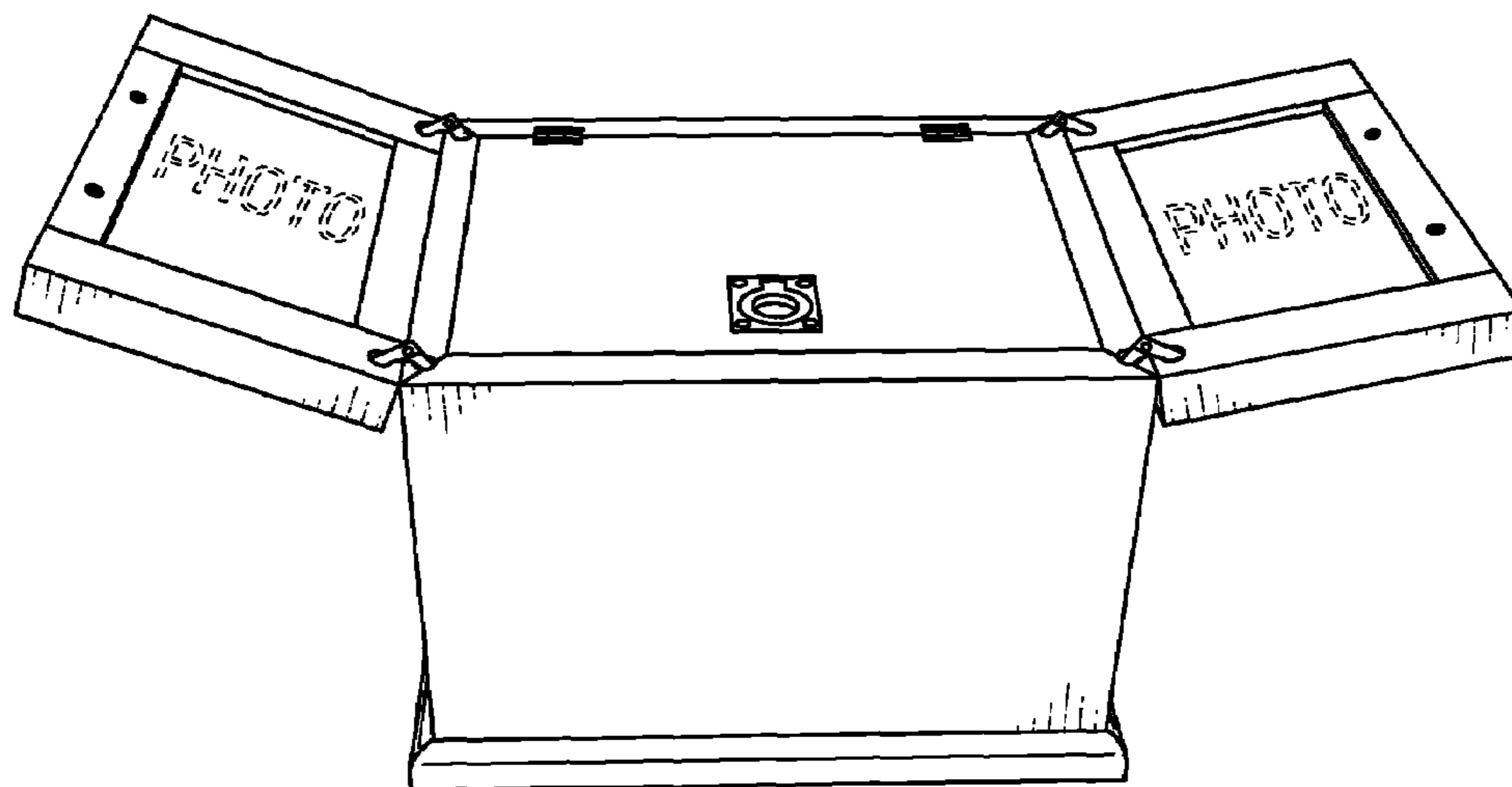


FIG. 1

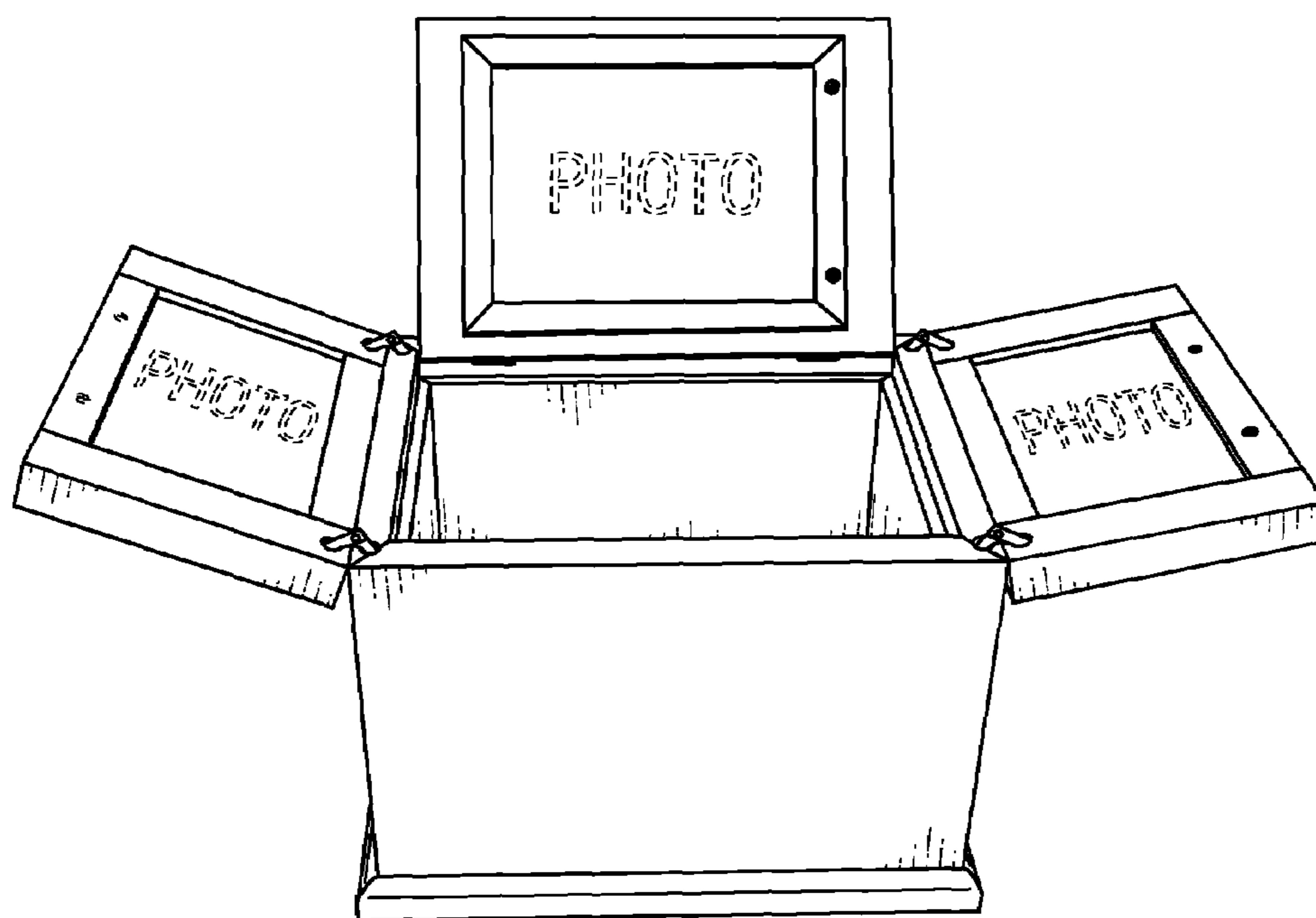


FIG. 2

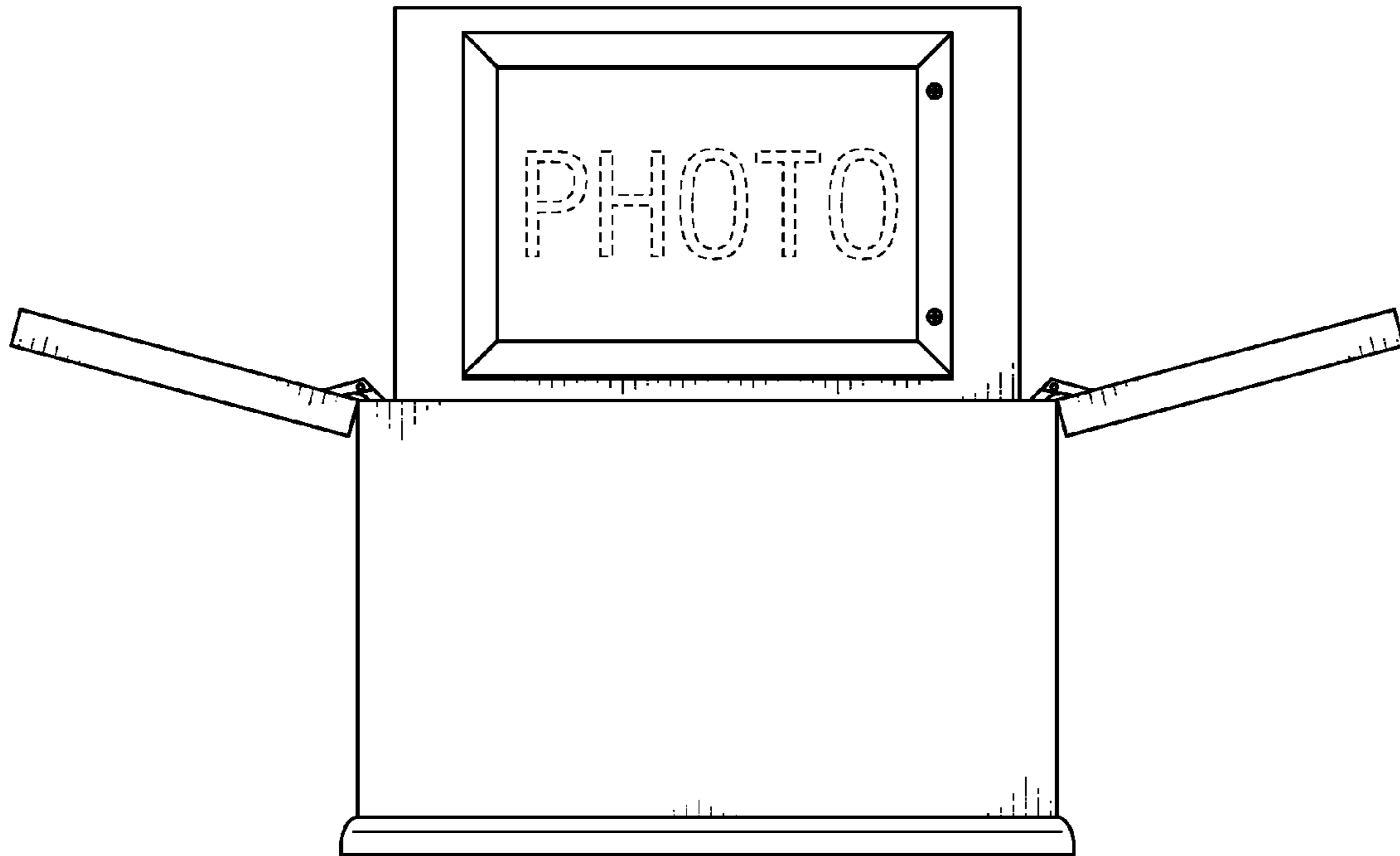


FIG. 3

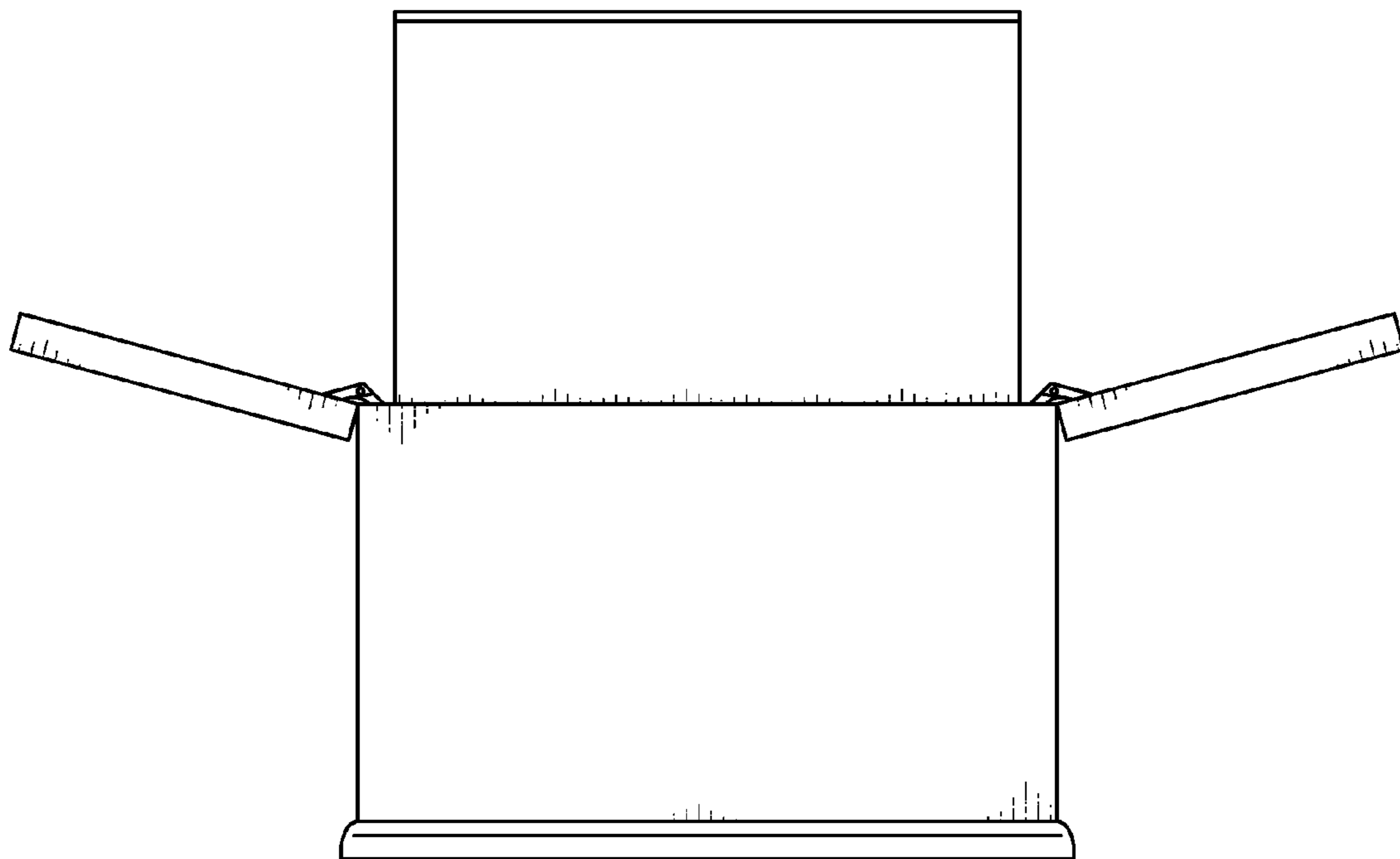


FIG. 4

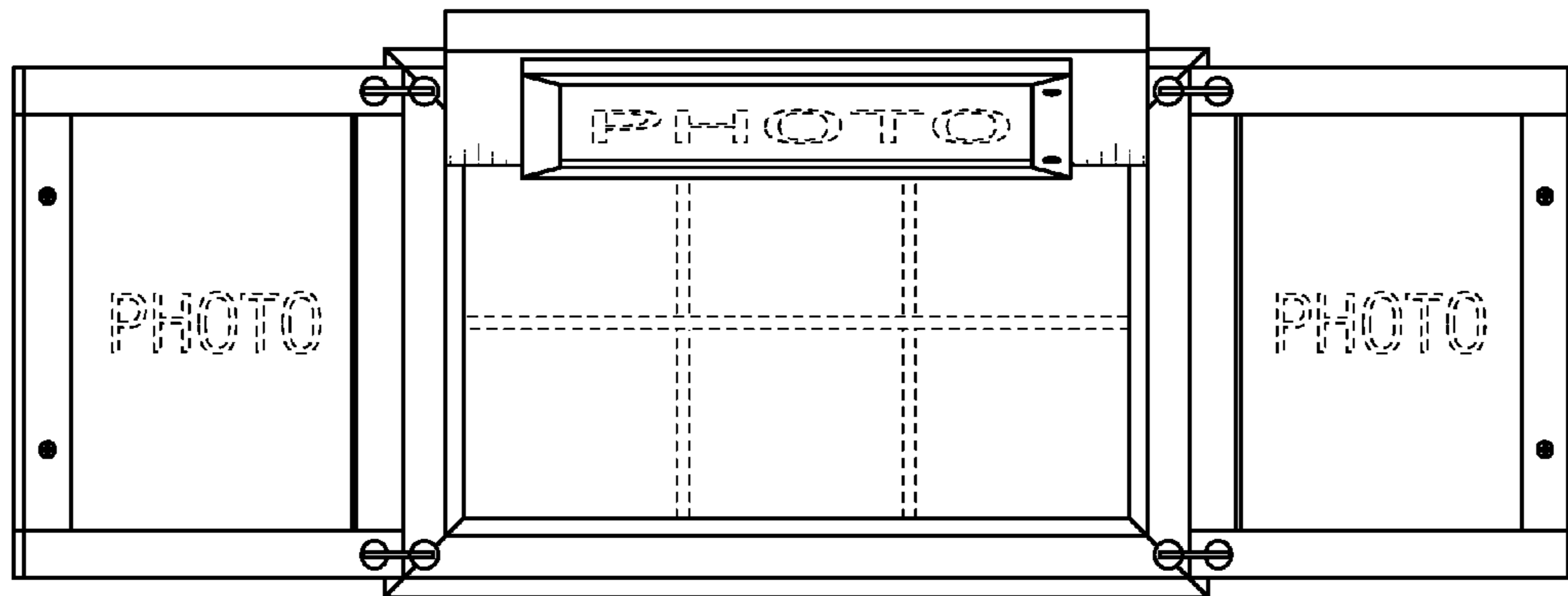


FIG. 5

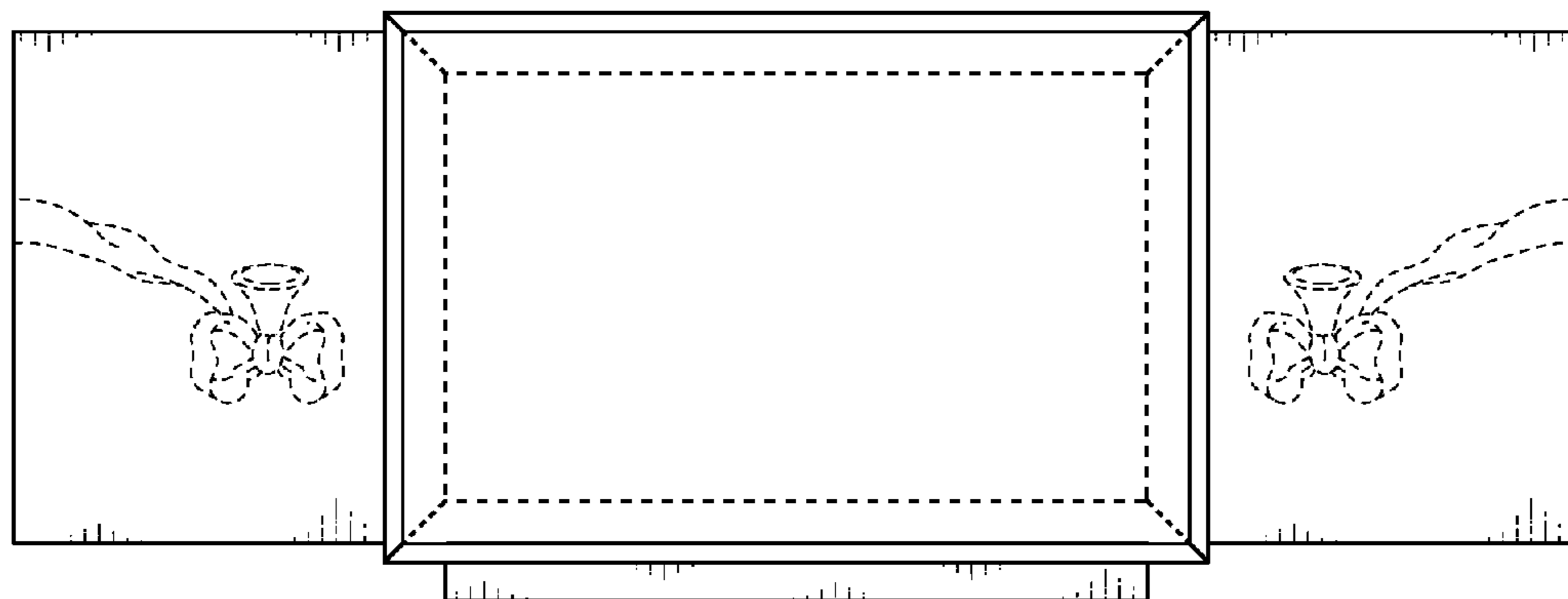


FIG. 6

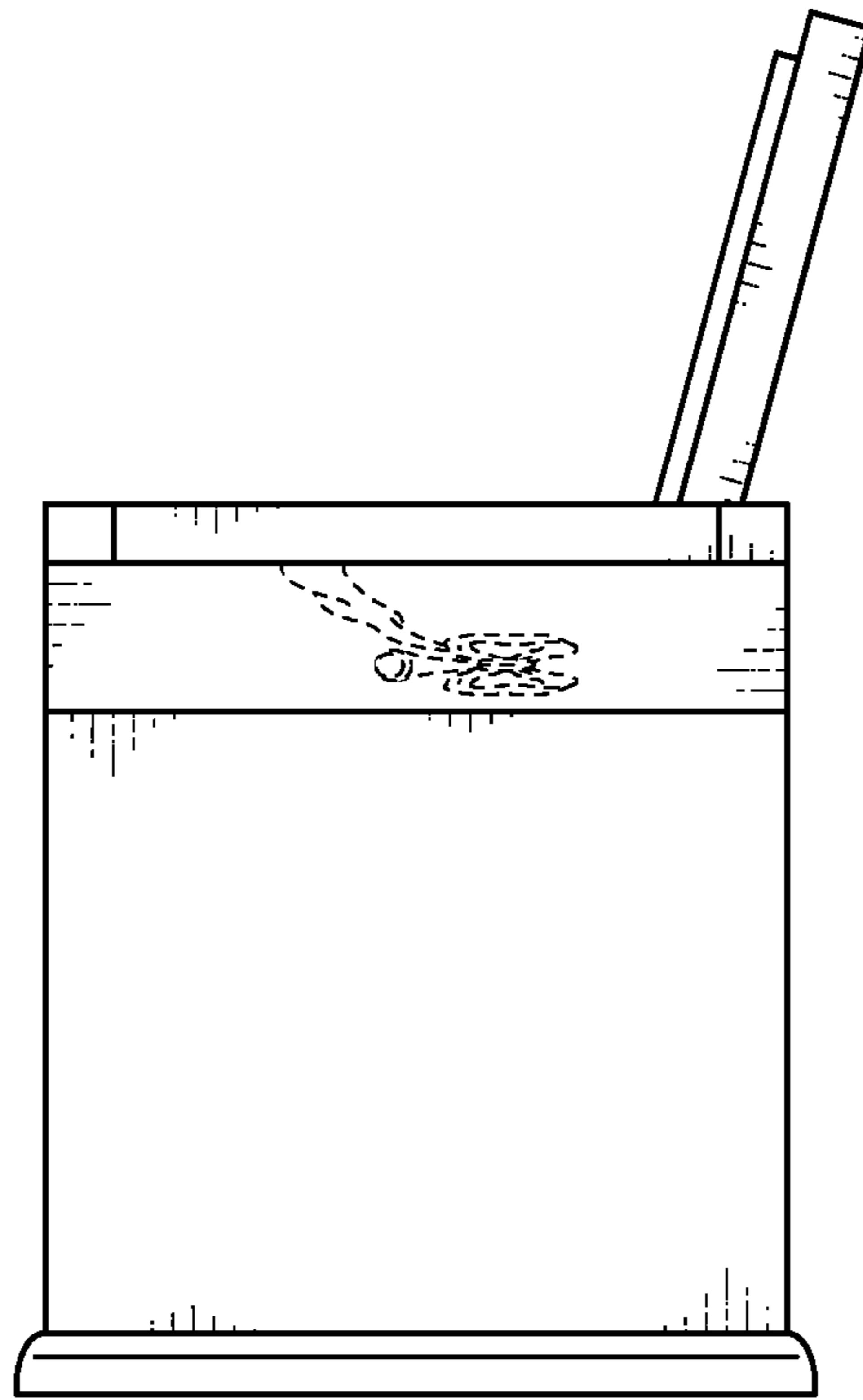


FIG. 7

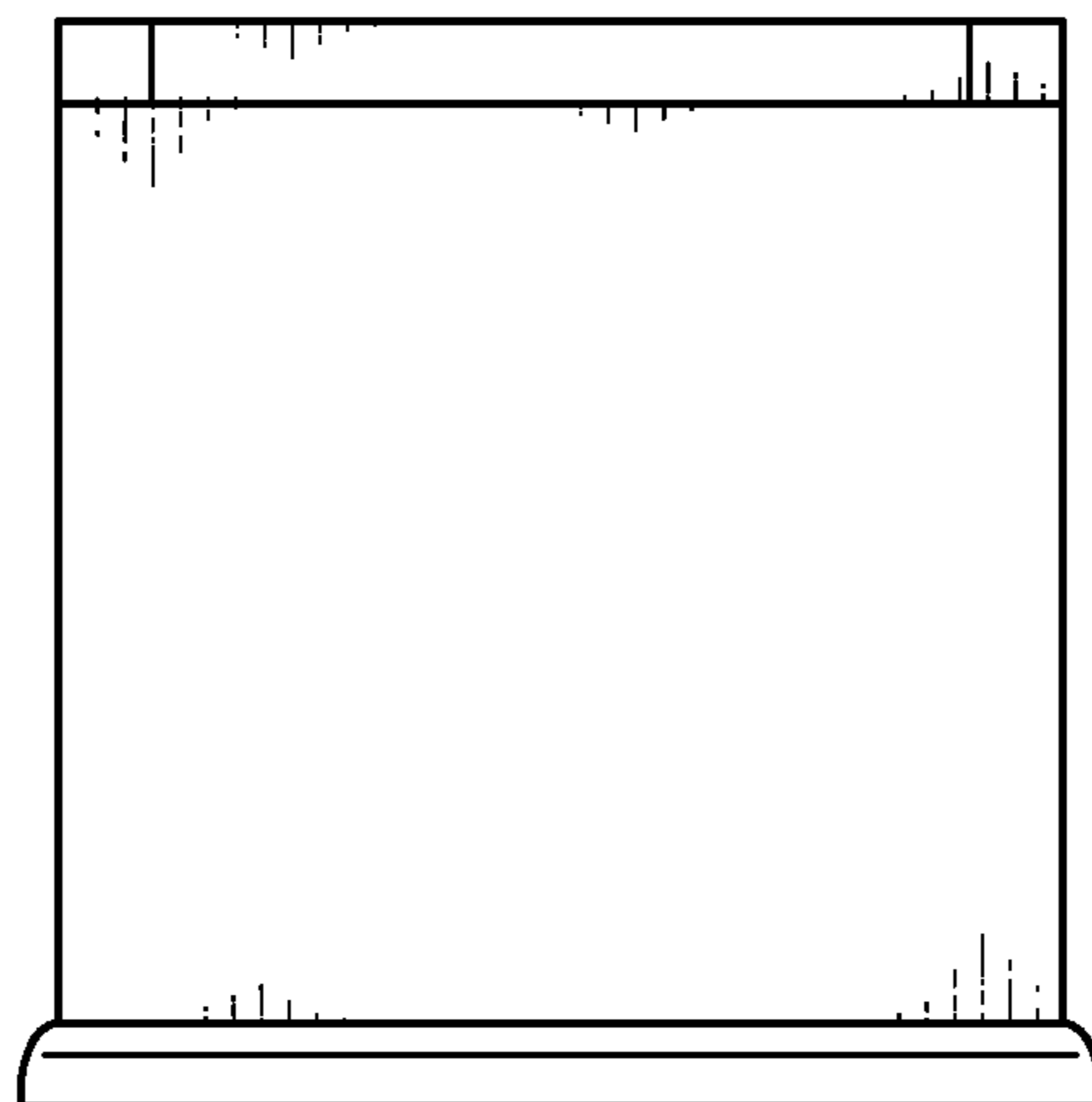


FIG. 8

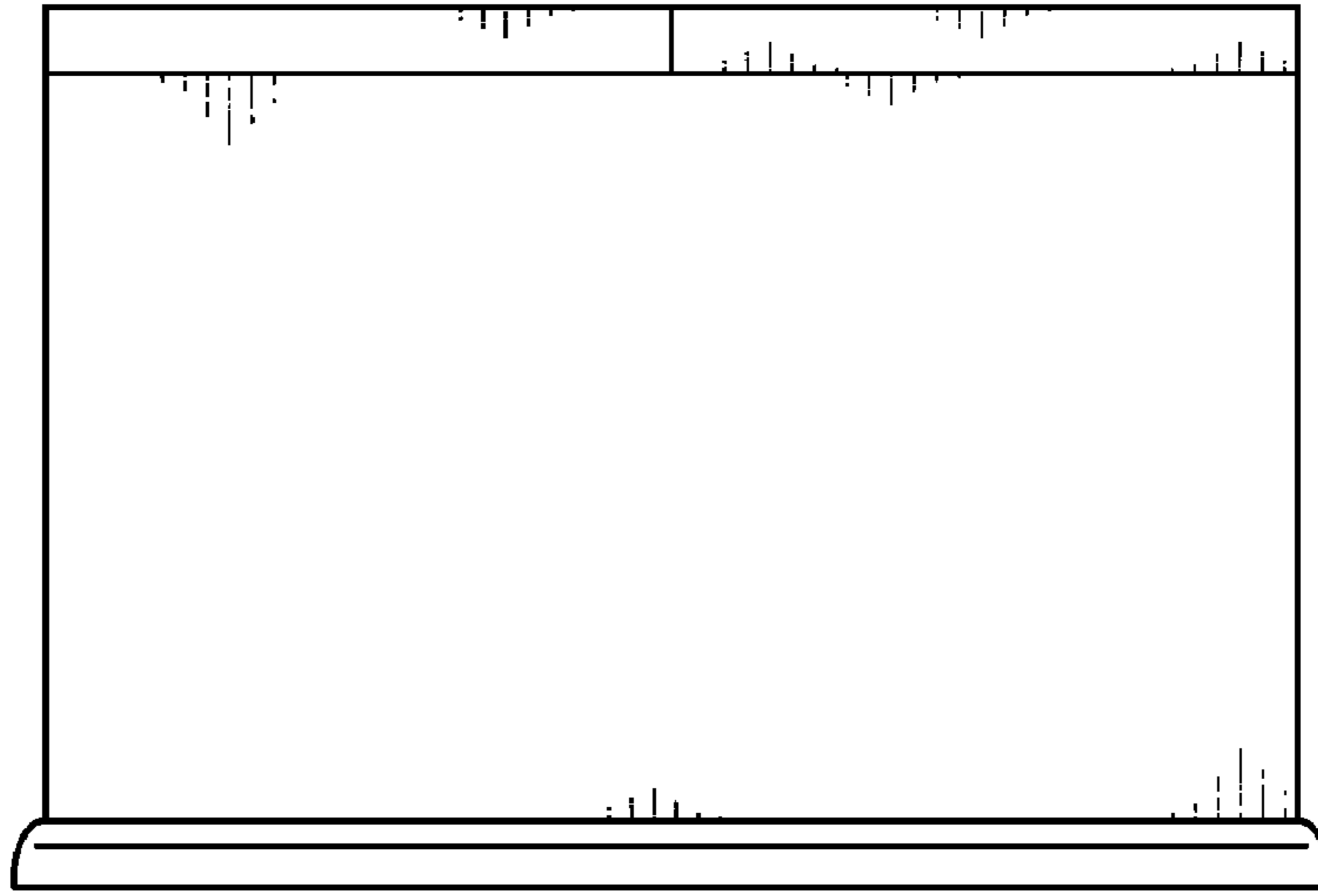


FIG. 9

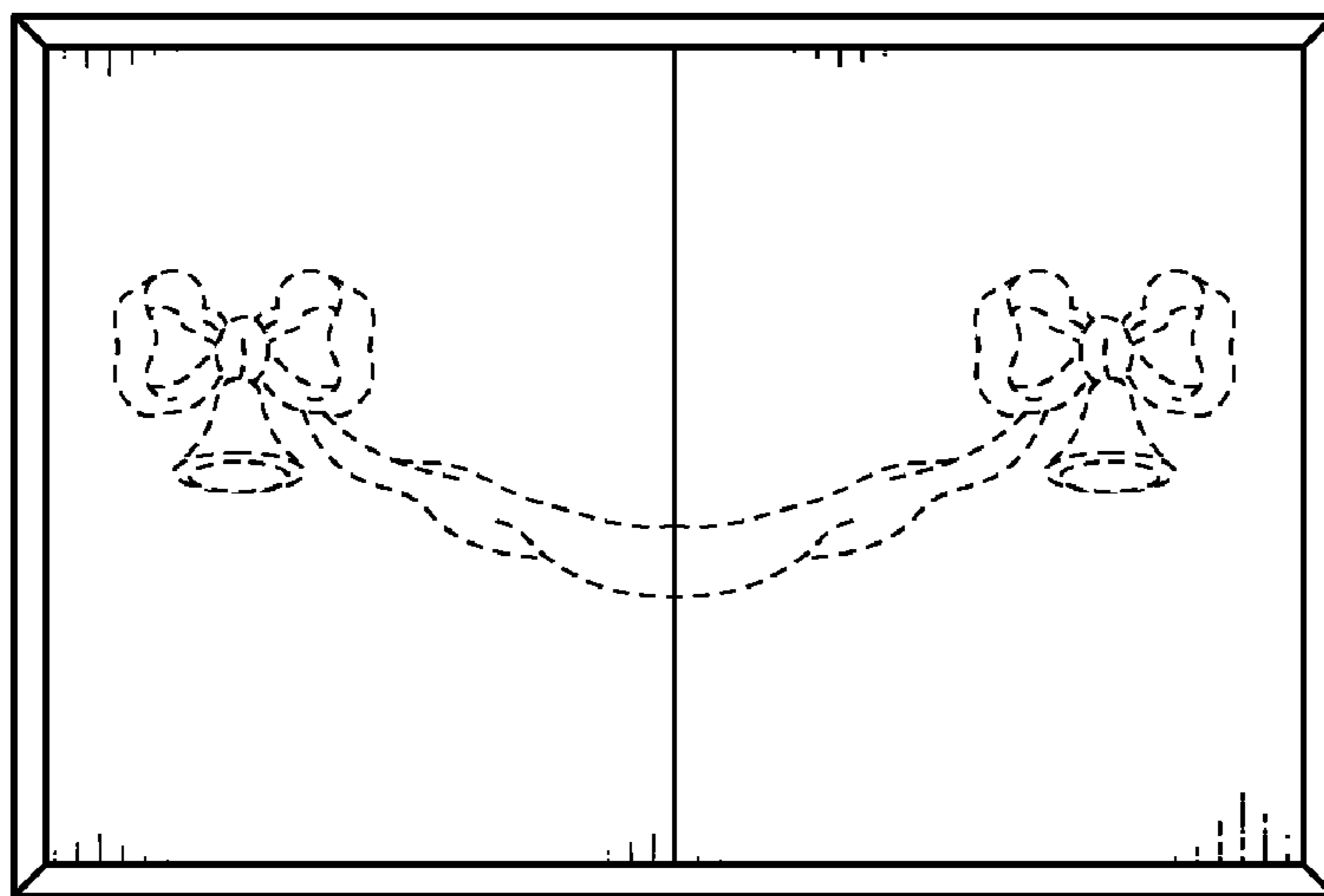


FIG. 10