



US00D610348S

(12) **United States Design Patent**
Völkel

(10) **Patent No.:** **US D610,348 S**

(45) **Date of Patent:** **** Feb. 23, 2010**

(54) **TOOL BOX**

(75) Inventor: **Klaus Peter Völkel**, Remscheid (DE)

(73) Assignee: **VP Werkzeuge GmbH**, Remscheid (DE)

(**) Term: **14 Years**

(21) Appl. No.: **29/328,971**

(22) Filed: **Dec. 5, 2008**

(51) **LOC (9) Cl.** **03-01**

(52) **U.S. Cl.** **D3/269; D3/294; D3/905**

(58) **Field of Classification Search** **D3/269, D3/273, 276, 282, 284, 294-295, 904-905; 206/349, 372-379; 220/4.21-4.22**
See application file for complete search history.

(56) **References Cited**

U.S. PATENT DOCUMENTS

D171,242 S *	1/1954	Belf et al.	D3/295
D226,458 S *	3/1973	Carreiro	D3/258
D255,038 S *	5/1980	Itakura	D21/385
D270,302 S *	8/1983	Starzec	D3/258
D277,903 S *	3/1985	Starzec	D3/258
D290,175 S *	6/1987	Bakic	D28/77
D337,658 S *	7/1993	Kaposvari	D3/294
D352,169 S *	11/1994	Chang	D3/276
D370,781 S *	6/1996	Vasudeva	D3/284
D373,901 S *	9/1996	Bergstedt	D3/294
D444,299 S *	7/2001	Budert	D3/294
D452,939 S *	1/2002	Lai	D28/77
D466,296 S *	12/2002	Hellenberg-Hubar	D3/295

D477,464 S *	7/2003	Cang	D3/295
D484,542 S *	12/2003	Hassell	D19/75
D498,925 S *	11/2004	Chen	D3/294
D532,603 S *	11/2006	Chen	D3/228
7,270,235 B2 *	9/2007	Chen	206/379
D581,668 S *	12/2008	Volkel	D3/294
2005/0051445 A1 *	3/2005	Meehan et al.	206/372
2005/0056559 A1 *	3/2005	Chen	206/372
2005/0056560 A1 *	3/2005	Chen	206/373
2007/0095690 A1 *	5/2007	Nguy et al.	206/372

* cited by examiner

Primary Examiner—Phillip S Hyder

Assistant Examiner—Roselynn Cody

(74) *Attorney, Agent, or Firm*—Gudrun E. Hockett

(57) **CLAIM**

The ornamental design for a tool box, as shown and described.

DESCRIPTION

FIG. 1 is a perspective view of my tool box;

FIG. 2 is a front plan view of my tool box;

FIG. 3 is a top plan view of my tool box;

FIG. 4 is a left side view of my tool box;

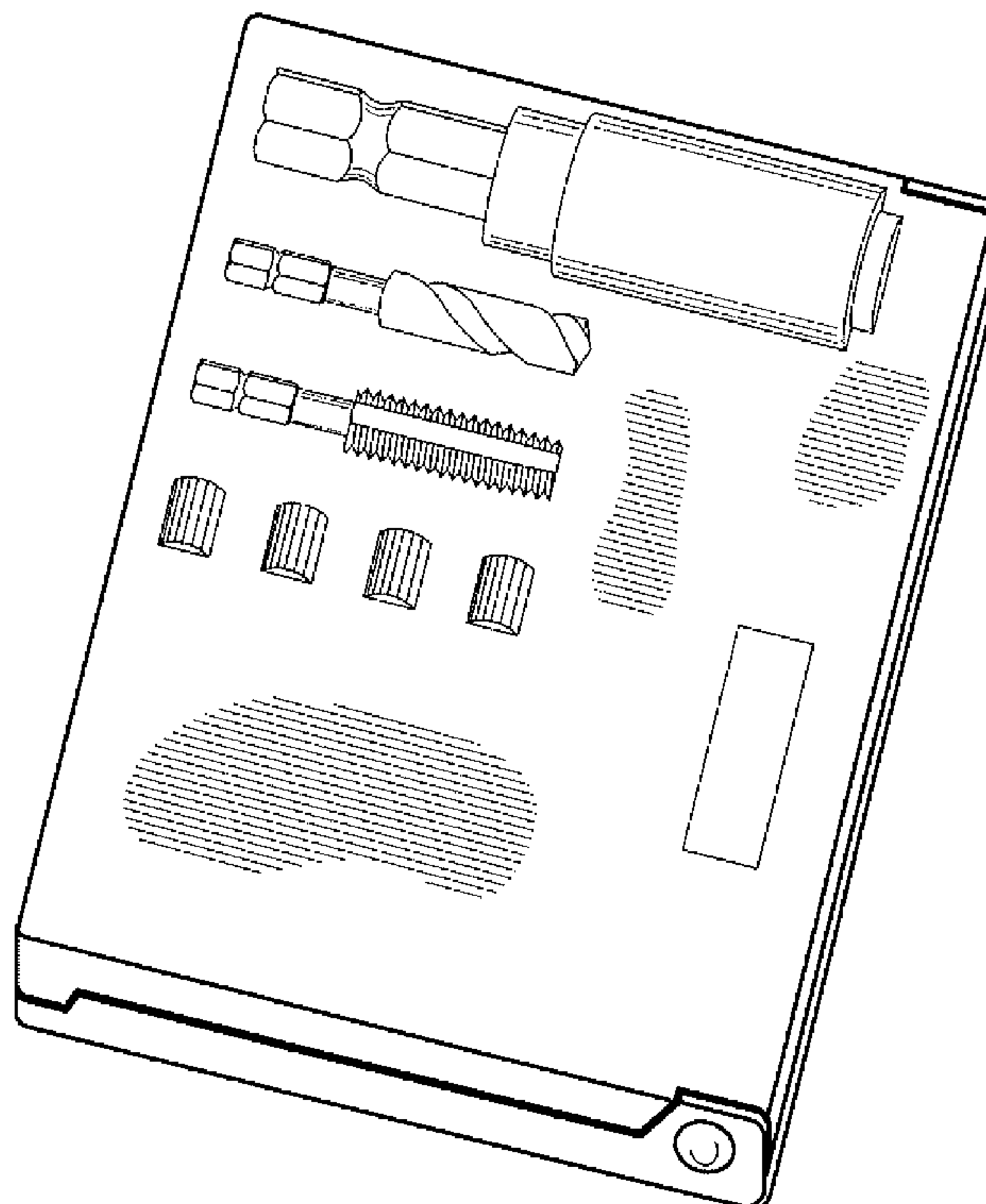
FIG. 5 is a bottom plan view of my tool box;

FIG. 6 is a right side view of my tool box; and,

FIG. 7 is a rear plan view of my tool box.

The tool box has a lid that is shaped so as to match the shape and arrangement of the tools in the tool box.

1 Claim, 3 Drawing Sheets



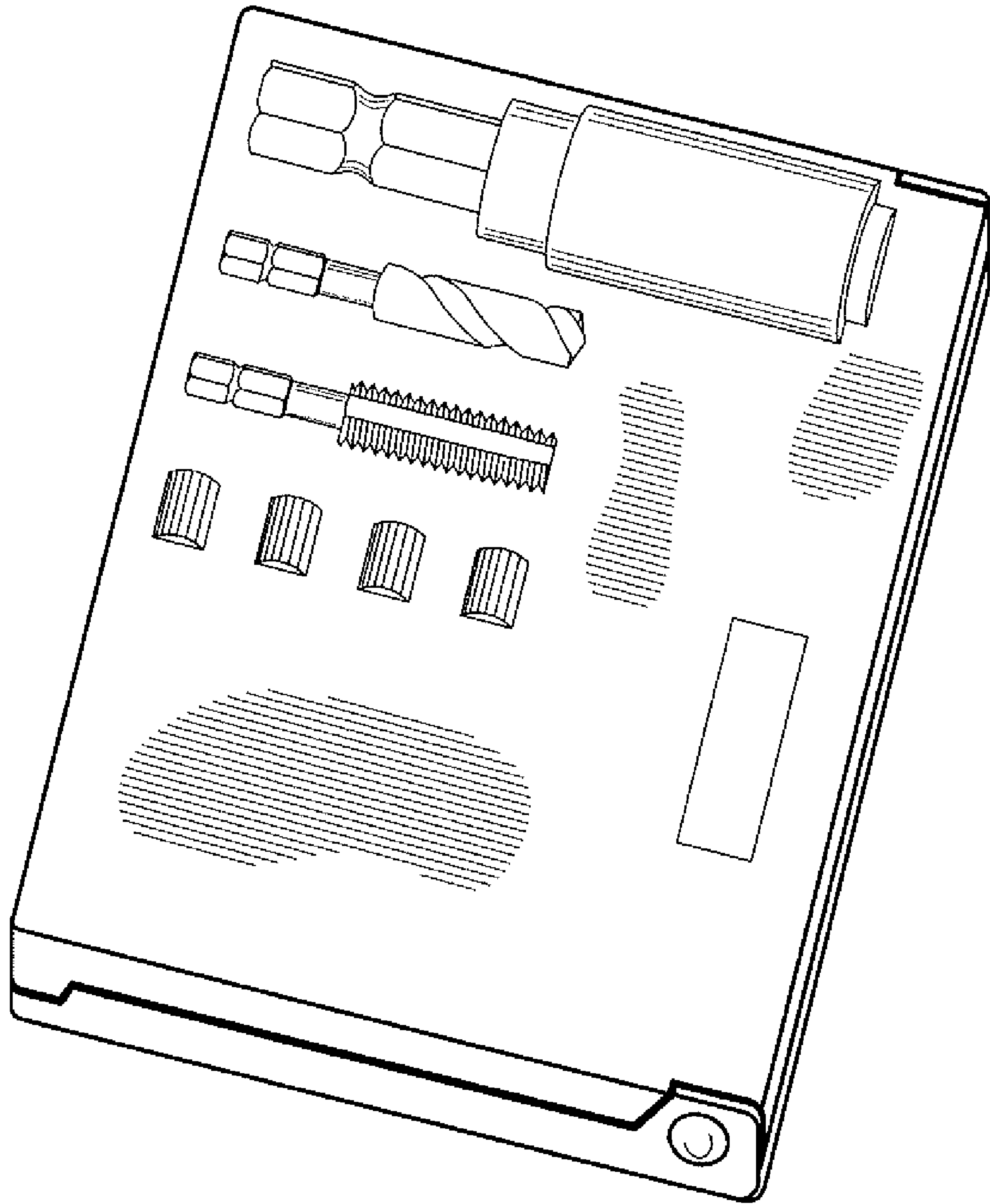


Fig. 1

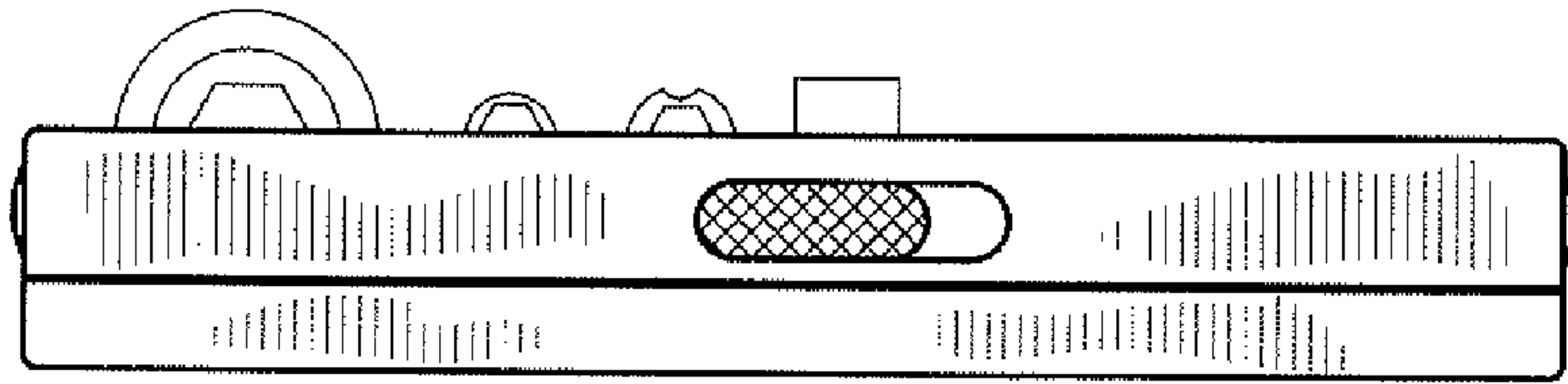


Fig. 2

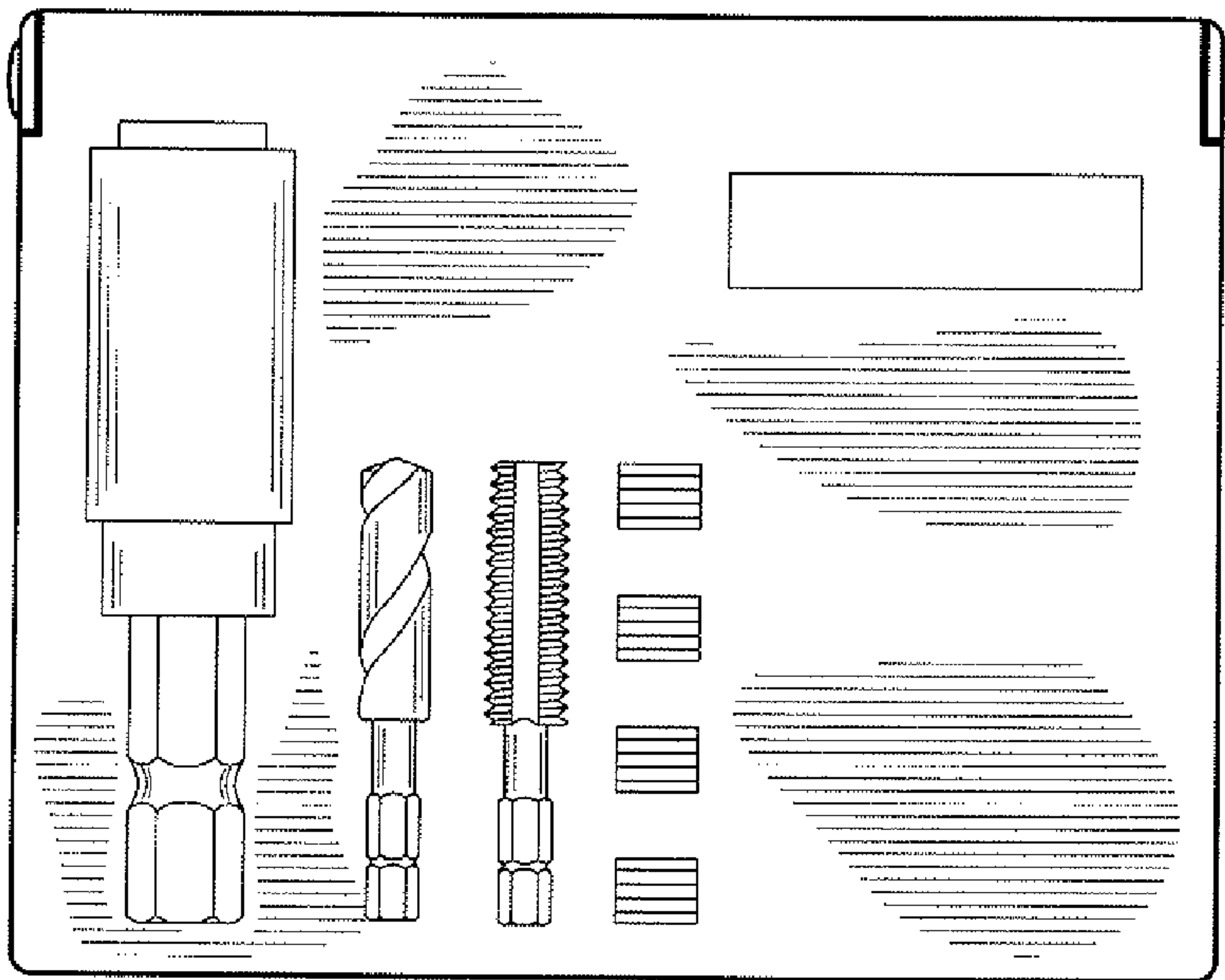


Fig. 3

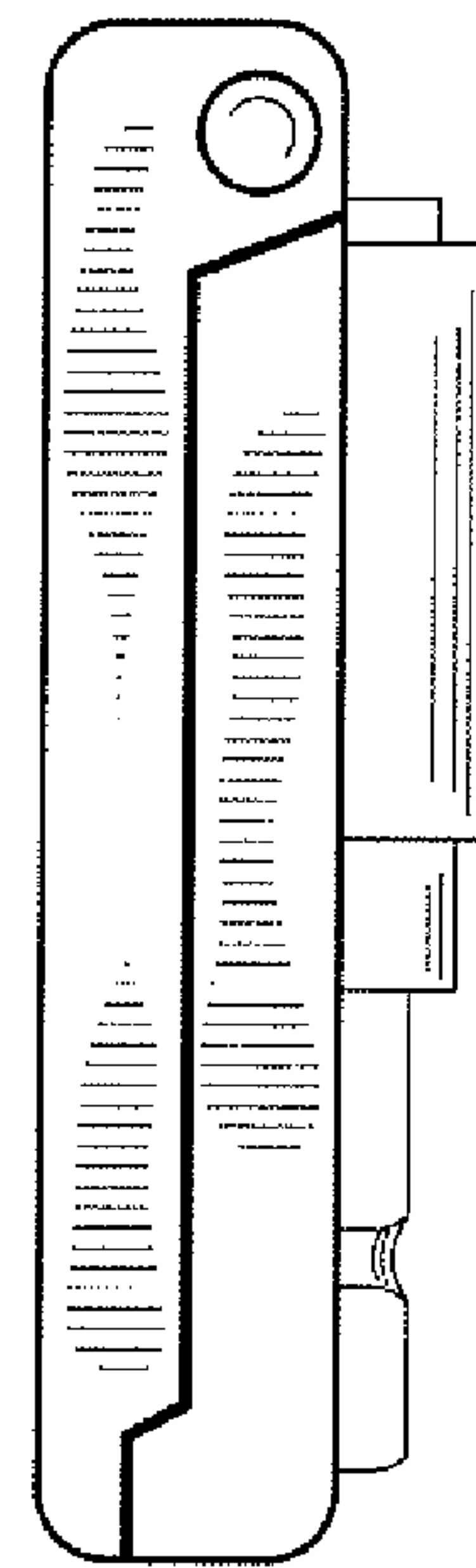


Fig. 4

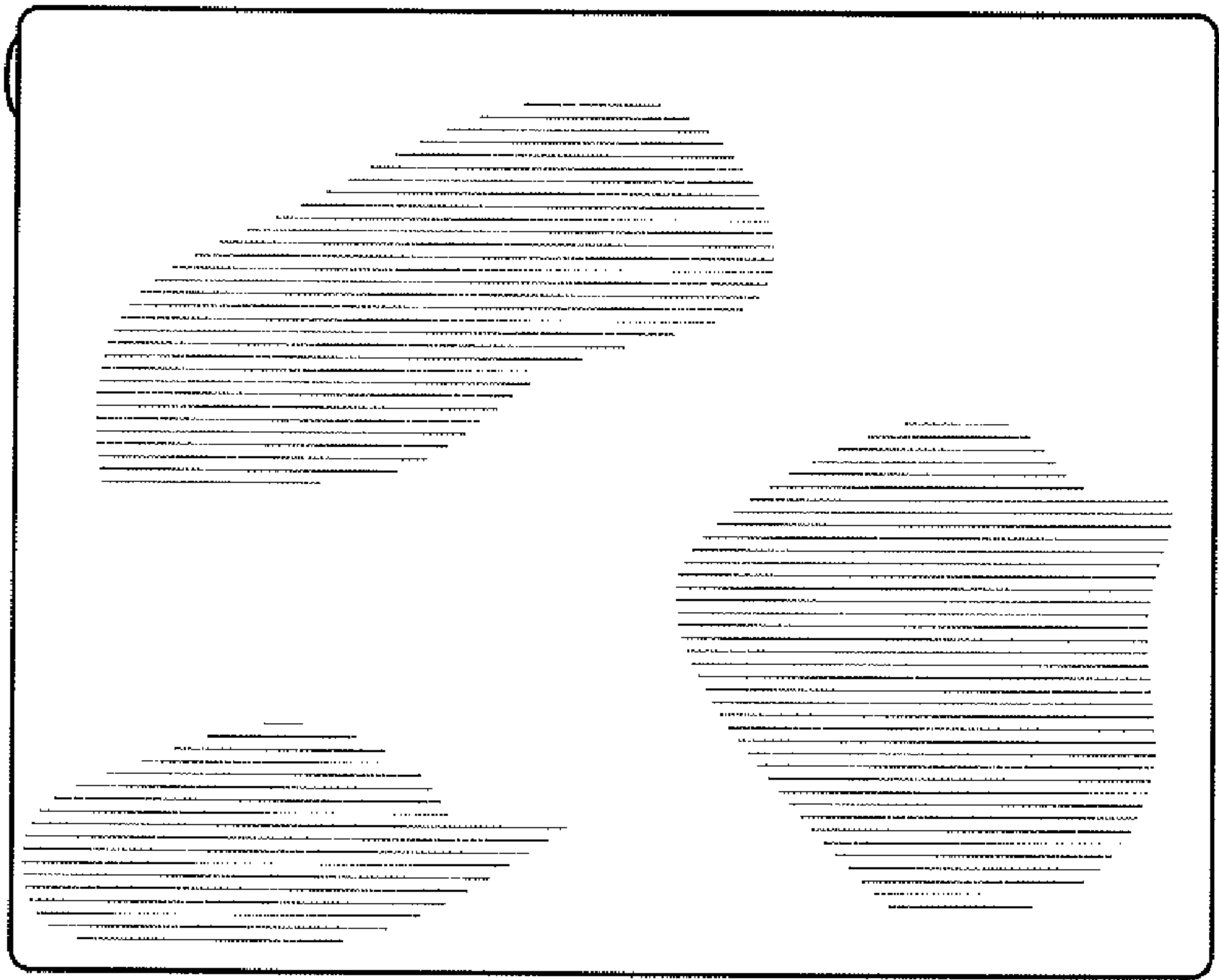


Fig. 5

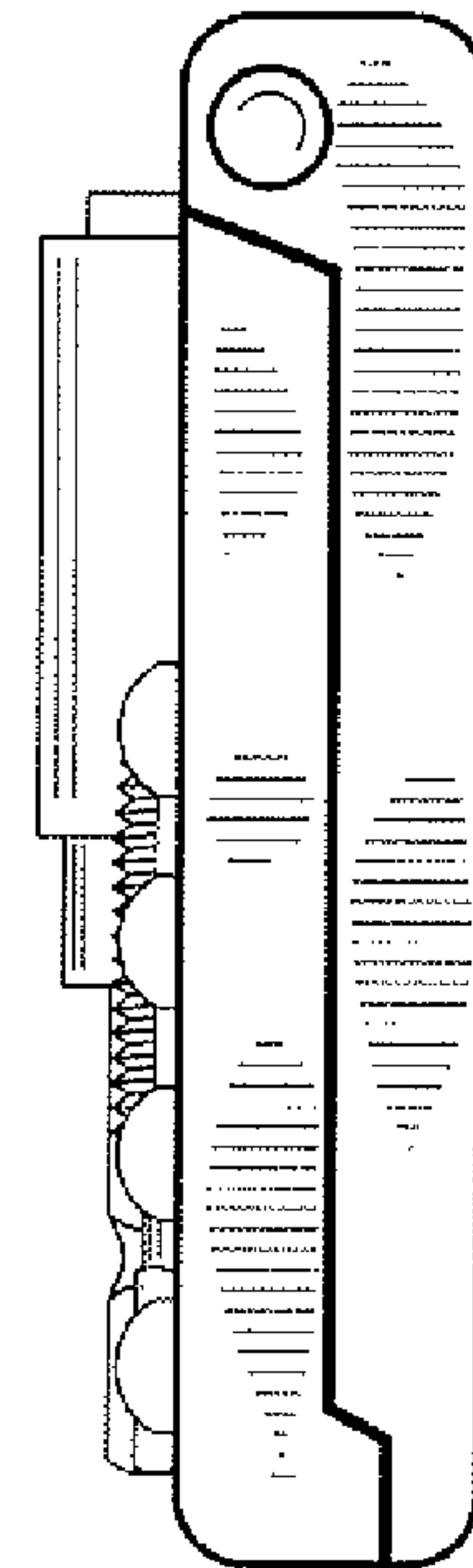


Fig. 6

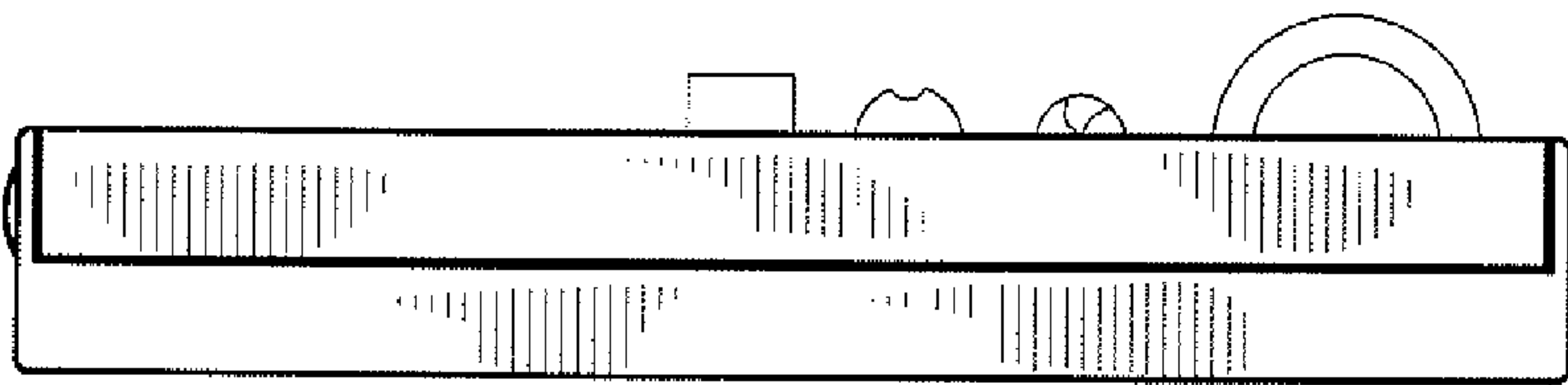


Fig. 7