



US00D610346S

(12) **United States Design Patent**
Eriksen et al.

(10) **Patent No.:** **US D610,346 S**
(45) **Date of Patent:** **** Feb. 23, 2010**

(54) **FINANCIAL TRANSACTION CARD HOLDER WITH CARD**

(75) Inventors: **Jessica D. Eriksen**, St. Paul, MN (US);
Erin M. Borkowski, Andover, MN (US); **Timothy P. Clegg**, Manhattan Beach, CA (US); **Anthony Victor Roberts**, Rolling Hills Estates, CA (US)

(73) Assignee: **Target Brands, Inc.**, Minneapolis, MN (US)

(**) Term: **14 Years**

(21) Appl. No.: **29/329,677**

(22) Filed: **Dec. 19, 2008**

(51) **LOC (9) Cl.** **03-01**

(52) **U.S. Cl.** **D3/247**

(58) **Field of Classification Search** D3/232–233,
D3/247, 249–252; 150/100, 103–104, 106–110,
150/113–114, 118–119, 130–131

See application file for complete search history.

(56) **References Cited**

U.S. PATENT DOCUMENTS

3,759,305 A	9/1973	McIntyre	
4,011,898 A	3/1977	Hubbard	
D247,930 S *	5/1978	Glaser	D3/245
D283,938 S *	5/1986	Strongwater	D99/34
4,722,376 A	2/1988	Rhyner	
4,782,874 A	11/1988	Chartier	
4,878,580 A	11/1989	Johnston	
4,887,763 A	12/1989	Sano	
5,133,496 A	7/1992	Davidson et al.	
5,245,775 A	9/1993	Goserud	
5,349,769 A	9/1994	Okola	
D351,619 S	10/1994	Struhl	
5,377,836 A	1/1995	Eisenbraun	
5,609,253 A	3/1997	Goade, Sr.	
5,650,209 A	7/1997	Ramsburg et al.	
D383,903 S	9/1997	Kopel	
5,667,247 A	9/1997	Ramsburg et al.	
D392,685 S	3/1998	Smith	

5,740,915 A	4/1998	Williams	
5,760,381 A	6/1998	Stich et al.	
5,777,305 A	7/1998	Smith et al.	
5,817,379 A	10/1998	Rich et al.	
5,836,095 A	11/1998	Crowell	
D411,764 S *	7/1999	Vazquez	D3/233
D439,040 S	3/2001	Vazquez	
6,299,530 B1	10/2001	Hansted et al.	
6,315,206 B1	11/2001	Hansen et al.	
6,349,829 B1	2/2002	Matheis et al.	
6,439,613 B2	8/2002	Klure	
6,457,649 B1	10/2002	Hileman	
6,550,617 B1	4/2003	Elva	

(Continued)

OTHER PUBLICATIONS

“Contactless Payments: Consumer Trends and Usage Preferences,”
firstdata.com, 2008, 2 pages.

(Continued)

Primary Examiner—Holly H Baynham
(74) *Attorney, Agent, or Firm*—Griffiths & Seaton PLLC

(57) **CLAIM**

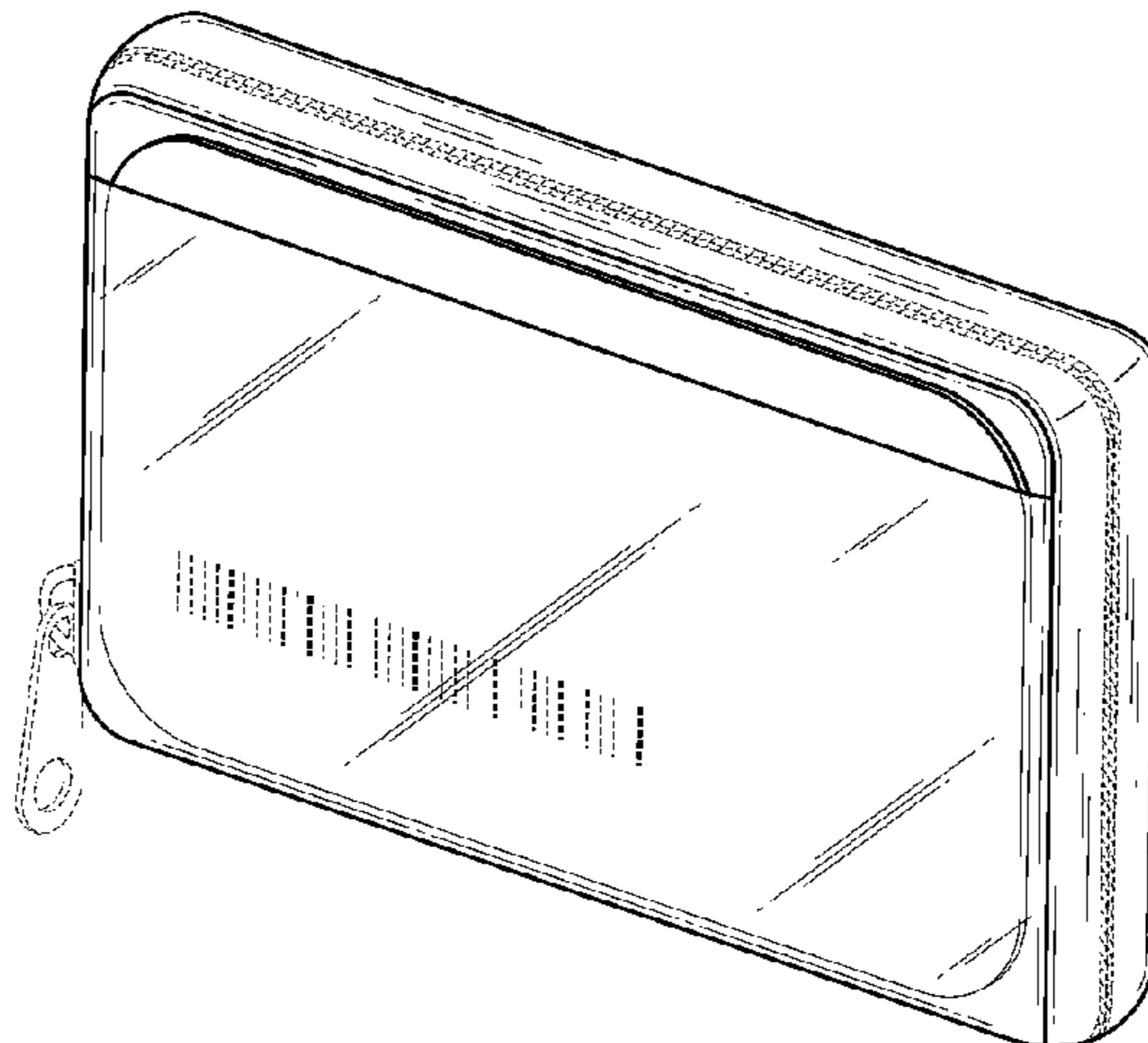
The ornamental design for a financial transaction card holder with card, as shown and described.

DESCRIPTION

FIG. 1 is a front perspective view of a financial transaction card holder with card showing our new design;
FIG. 2 is a front view thereof;
FIG. 3 is a rear view thereof;
FIG. 4 is a right side view thereof;
FIG. 5 is a left side view thereof;
FIG. 6 is a top view thereof; and,
FIG. 7 is a bottom view thereof.

The broken lines shown in the figures are for illustrative purposes only and form no part of the claimed design.

1 Claim, 4 Drawing Sheets



US D610,346 S

Page 2

U.S. PATENT DOCUMENTS

6,619,480 B2 9/2003 Smith
6,640,974 B2 11/2003 Malone
6,715,795 B2 4/2004 Klure
6,832,720 B2 12/2004 Dawson
6,957,737 B1 10/2005 Frederickson et al.
D516,306 S 3/2006 Koenig et al.
D516,307 S * 3/2006 Koenig et al. D3/233
7,219,829 B2 5/2007 Treat
7,222,446 B2 5/2007 Foster
7,367,504 B2 5/2008 Lewis et al.
7,455,222 B2 11/2008 Beck et al.
2002/0088855 A1 7/2002 Hodes
2002/0100797 A1 8/2002 Hollingsworth et al.
2002/0143697 A1 10/2002 Gotfried
2003/0080013 A1 5/2003 Smith
2005/0284718 A1 12/2005 Tai

2006/0289612 A1 12/2006 Godshaw
2007/0102460 A1 5/2007 Lottman
2007/0138222 A1 6/2007 Goldman
2007/0187487 A1 8/2007 Wilen
2007/0201772 A1 8/2007 Schindele
2007/0266605 A1 11/2007 Halbur et al.
2007/0267313 A1 11/2007 McLean
2008/0109350 A1 5/2008 Lazarowicz et al.
2008/0128302 A1 6/2008 Bohlke et al.
2008/0140725 A1 6/2008 Gunn-Beshears et al.
2008/0230402 A1 9/2008 Macor
2008/0237317 A1 10/2008 Rosendall
2008/0314777 A1 12/2008 Foster et al.

OTHER PUBLICATIONS

“Go-Tag™ Solution,” firstdata.com, 2008, 2 pages.

* cited by examiner

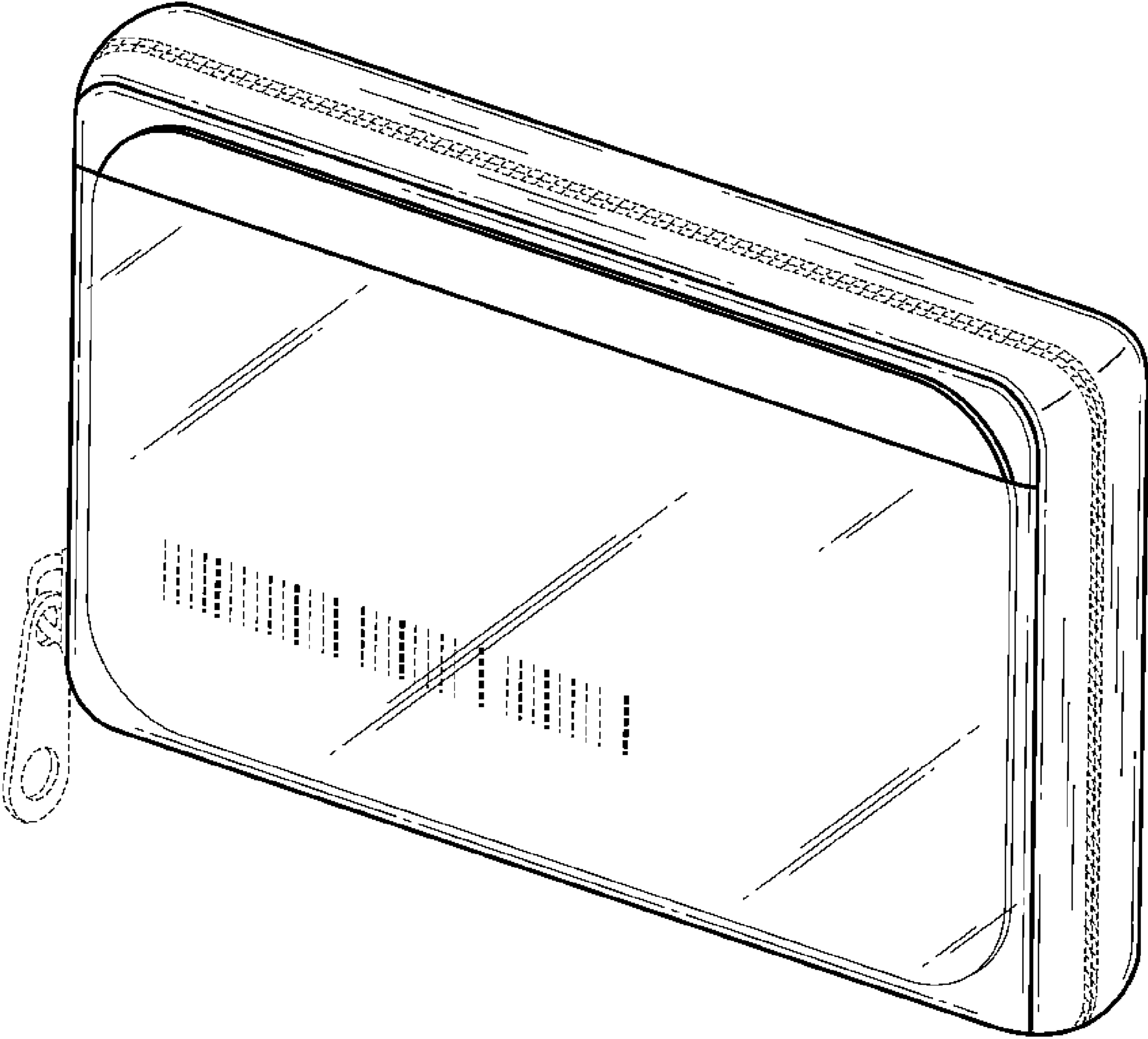


Fig. 1

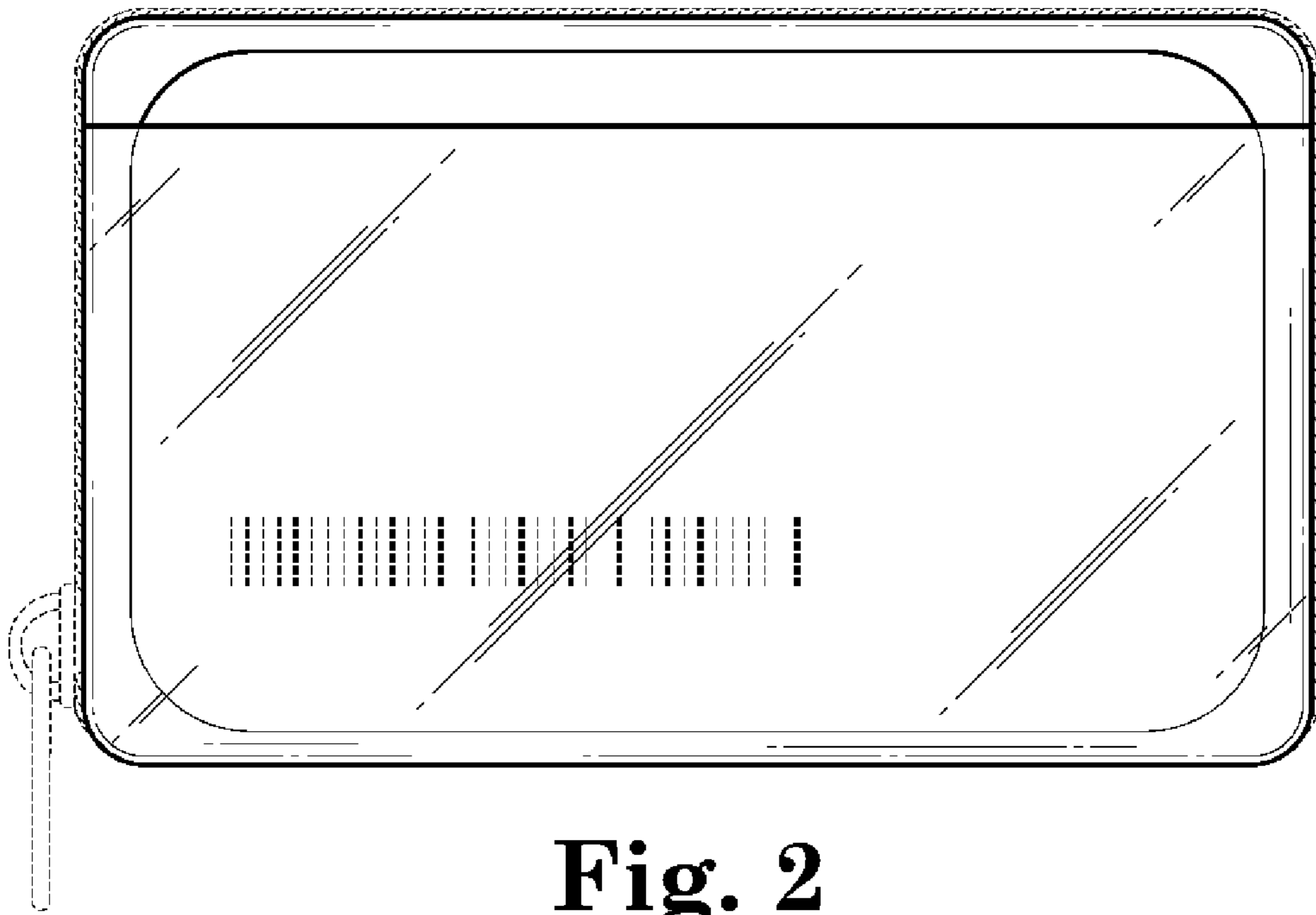


Fig. 2

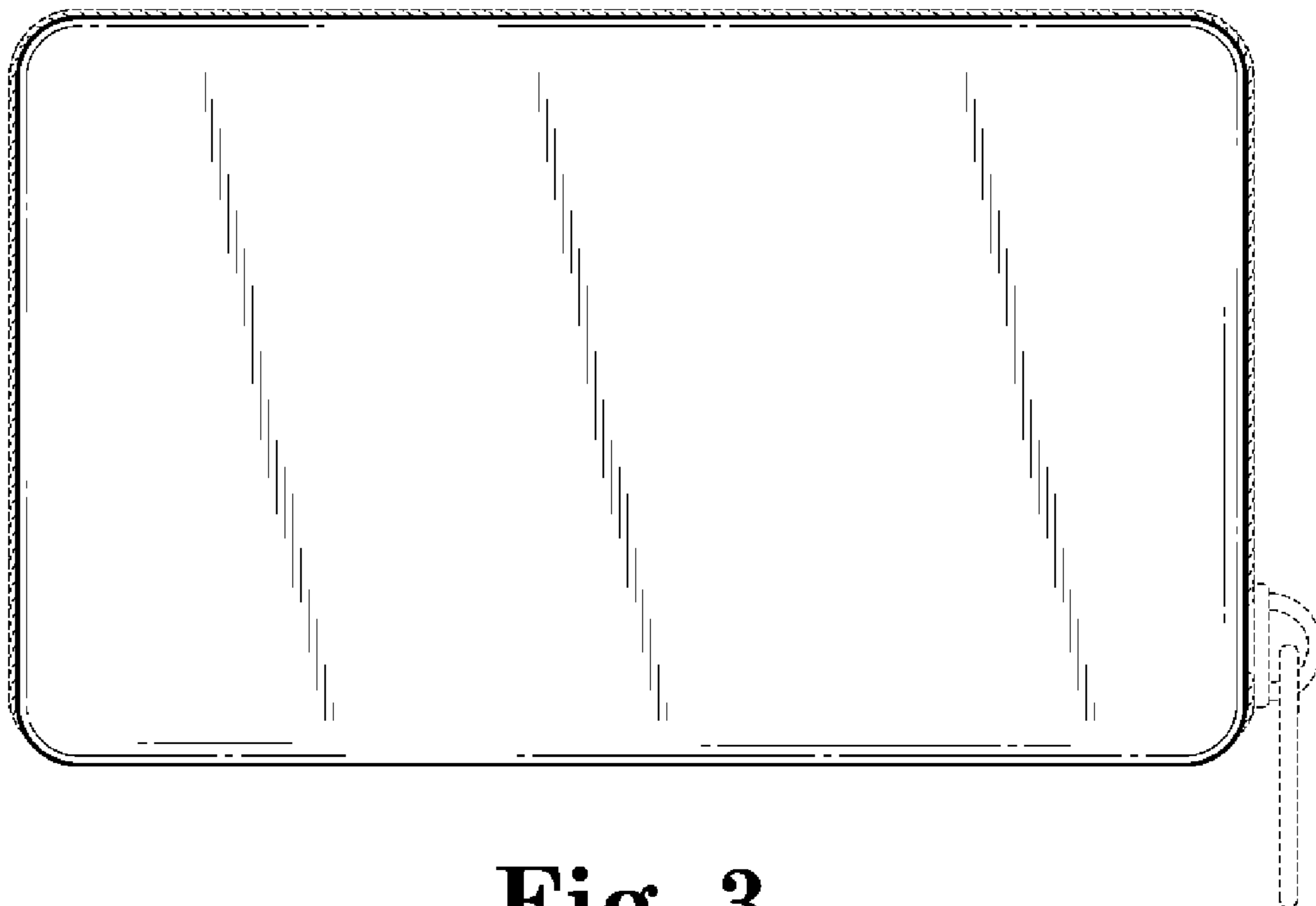


Fig. 3

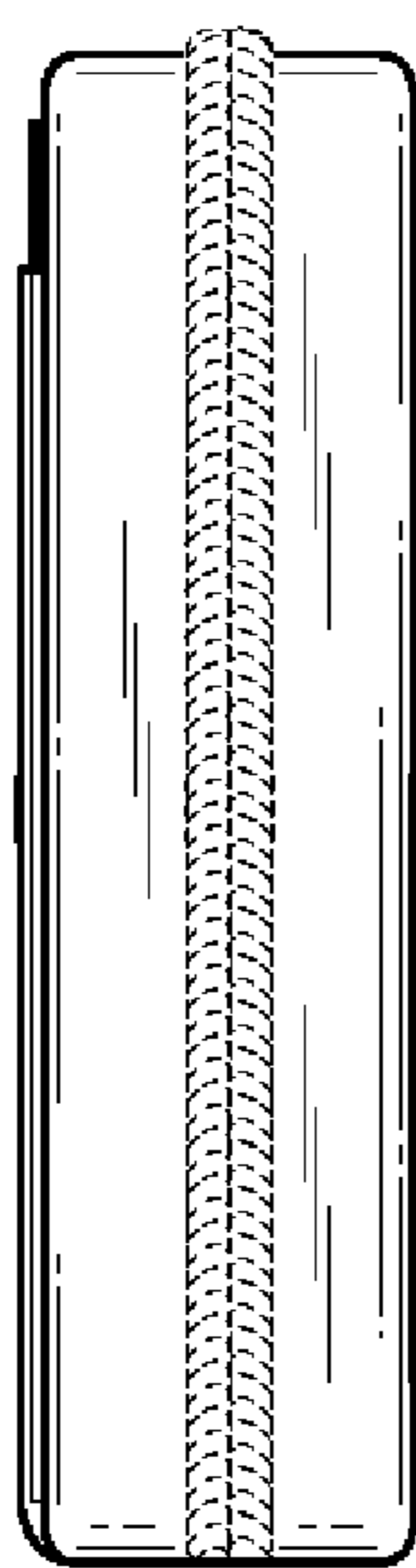


Fig. 4

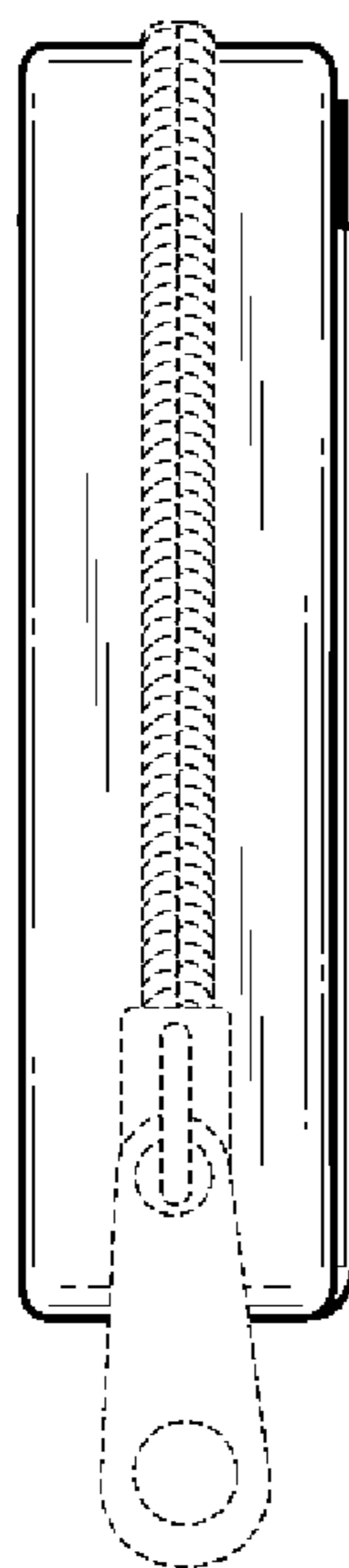


Fig. 5

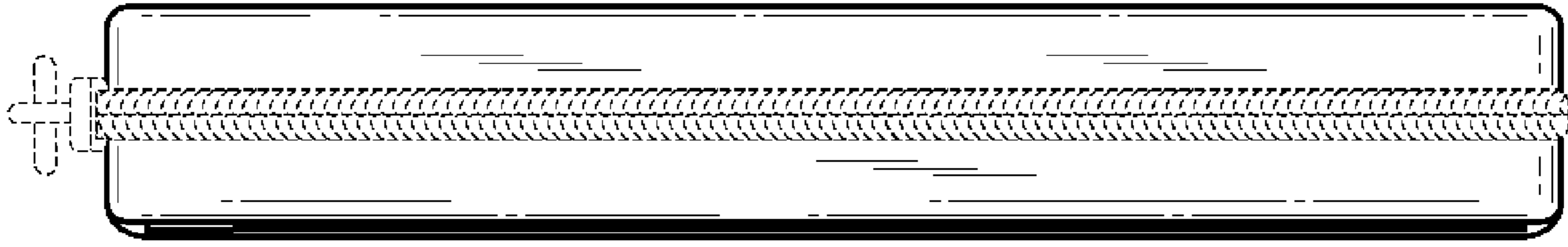


Fig. 6

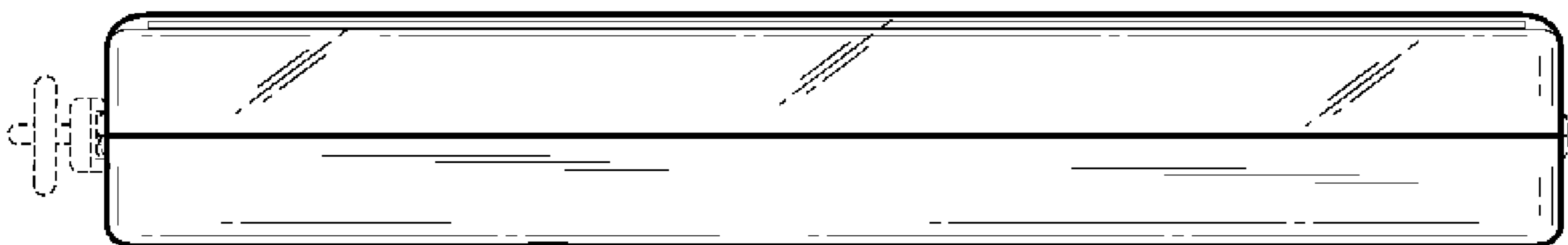


Fig. 7