



US00D610343S

(12) **United States Design Patent**
Mayer

(10) **Patent No.:** **US D610,343 S**

(45) **Date of Patent:** **** Feb. 23, 2010**

(54) **JAR WITH LID**

(76) Inventor: **Simone Mayer**, c/o Front of the House,
Inc., 9315 Park Dr., Suite C, Miami
Shores, FL (US) 33138

(**) Term: **14 Years**

(21) Appl. No.: **29/310,908**

(22) Filed: **Sep. 16, 2008**

(51) **LOC (9) Cl.** **03-01**

(52) **U.S. Cl.** **D3/201; D6/524**

(58) **Field of Classification Search** D6/524,
D6/525, 536; D3/201, 205, 315; D9/516,
D9/520, 529, 560, 414, 424, 432; D28/76,
D28/83, 91; D19/95; 206/551, 457, 746,
206/784, 822; 229/100, 110, 112, 113, 115,
229/116

See application file for complete search history.

(56) **References Cited**

U.S. PATENT DOCUMENTS

- D302,987 S * 8/1989 King D6/536
- D365,483 S * 12/1995 Van Dyk D6/536
- D386,080 S * 11/1997 Iwanaga D9/423
- D432,835 S * 10/2000 de Baschmakoff D6/536
- D510,032 S * 9/2005 Ames D9/560
- D531,025 S * 10/2006 Tanner D9/432
- D543,453 S * 5/2007 Fu et al. D9/432

- D548,070 S * 8/2007 Swain D9/432
- D553,980 S * 10/2007 VerWeyst et al. D9/432
- D580,753 S * 11/2008 Liden et al. D9/432

* cited by examiner

Primary Examiner—Brian N Vinson

(74) *Attorney, Agent, or Firm*—Fross Zelnick Lehrman &
Zissu, P.C.; Lawrence E. Apolzon, Esq.

(57) **CLAIM**

The ornamental design for a jar with lid, as shown and described.

DESCRIPTION

FIG. 1 is a top, front, and left side perspective view of a jar with lid showing my new design;

FIG. 2 is a top and side perspective view thereof, with the side opposite being a mirror image of that shown;

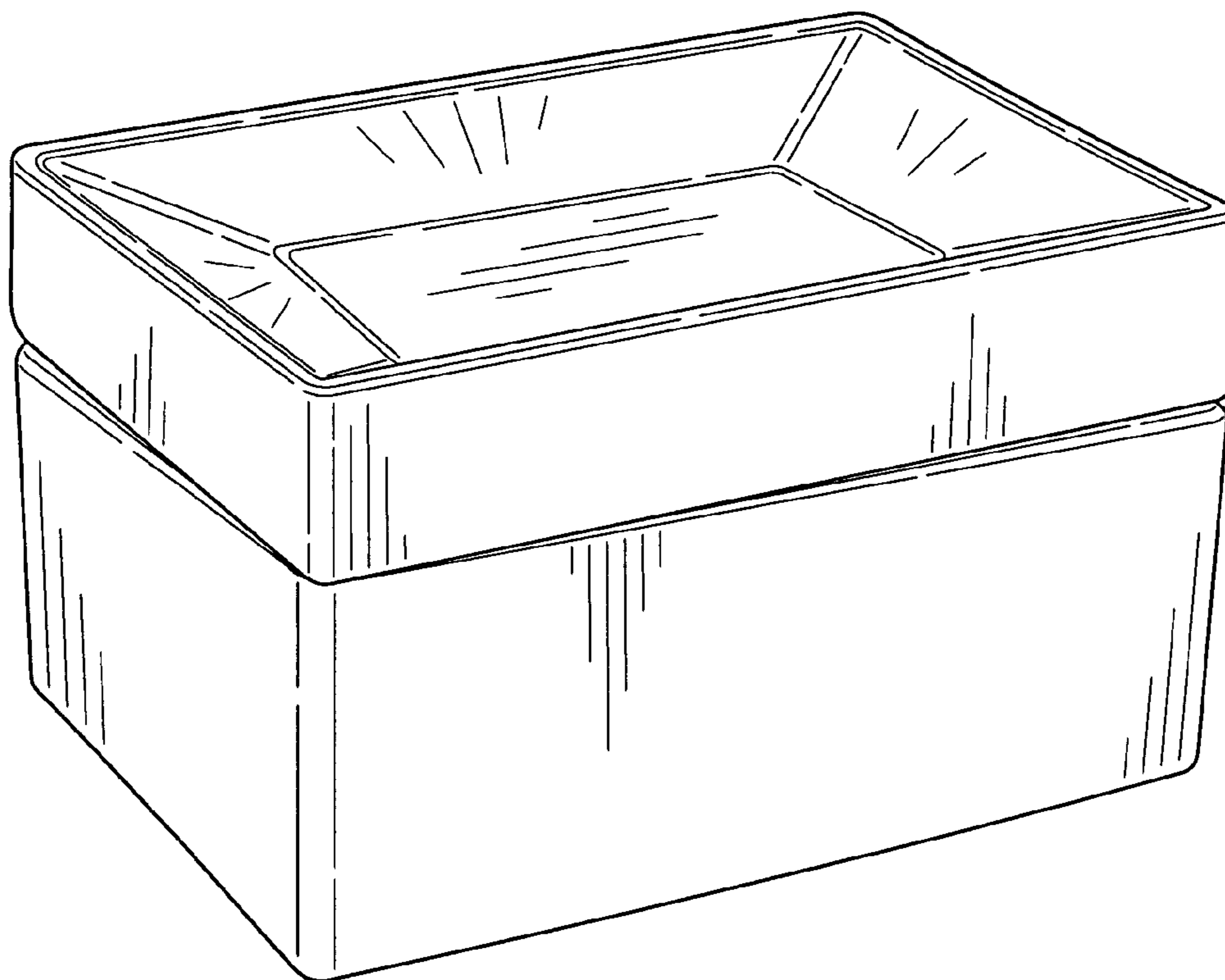
FIG. 3 is a top and front perspective view thereof, with the rear being a mirror image of that shown;

FIG. 4 is a top plan view thereof;

FIG. 5 is a top plan view of the jar portion thereof, with the lid omitted; and,

FIG. 6 is a bottom plan view thereof, with the broken-line disclosure understood to represent portions of the article in which the claimed design is embodied, but which forms no part of the claimed design.

1 Claim, 4 Drawing Sheets



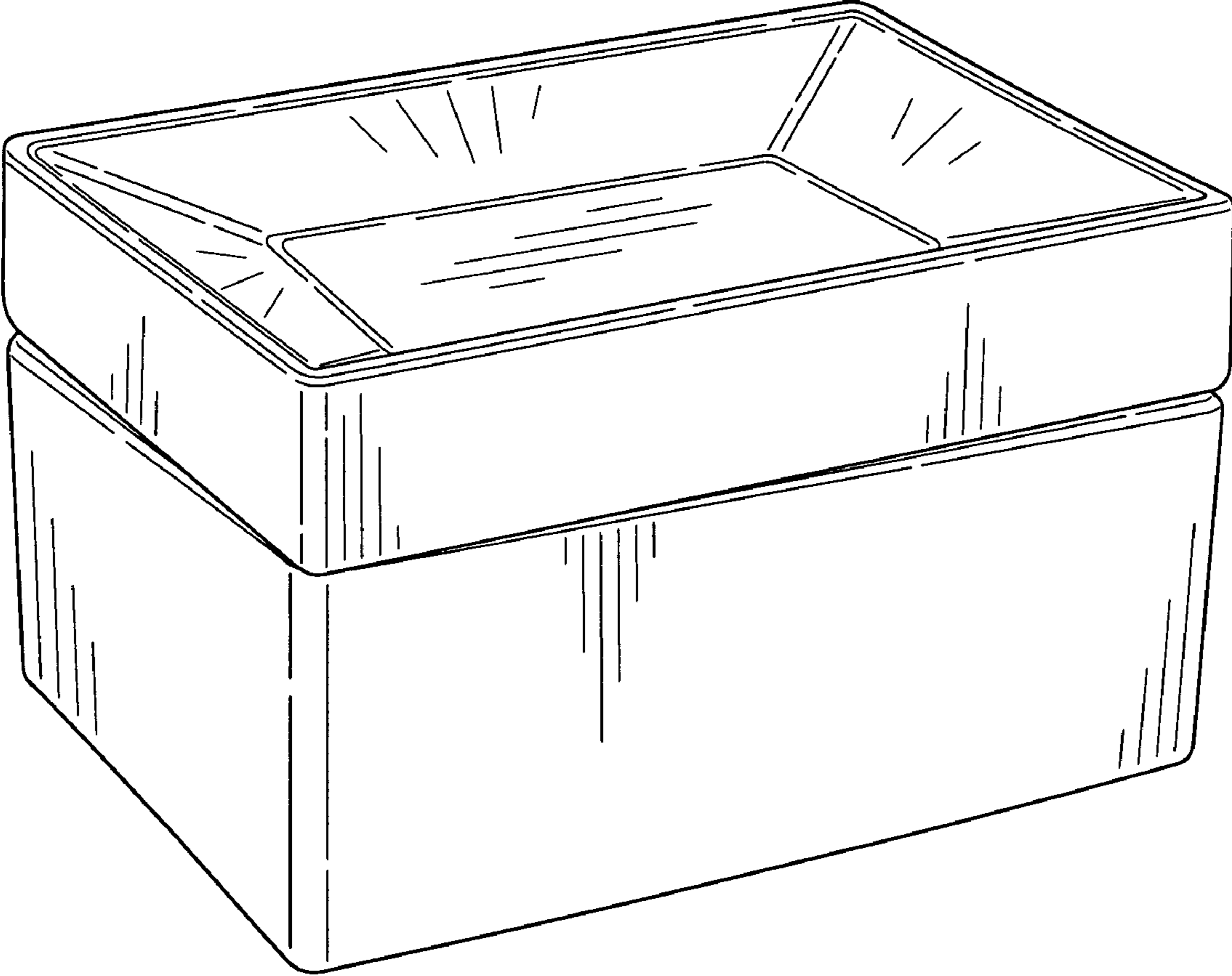


FIG. 1

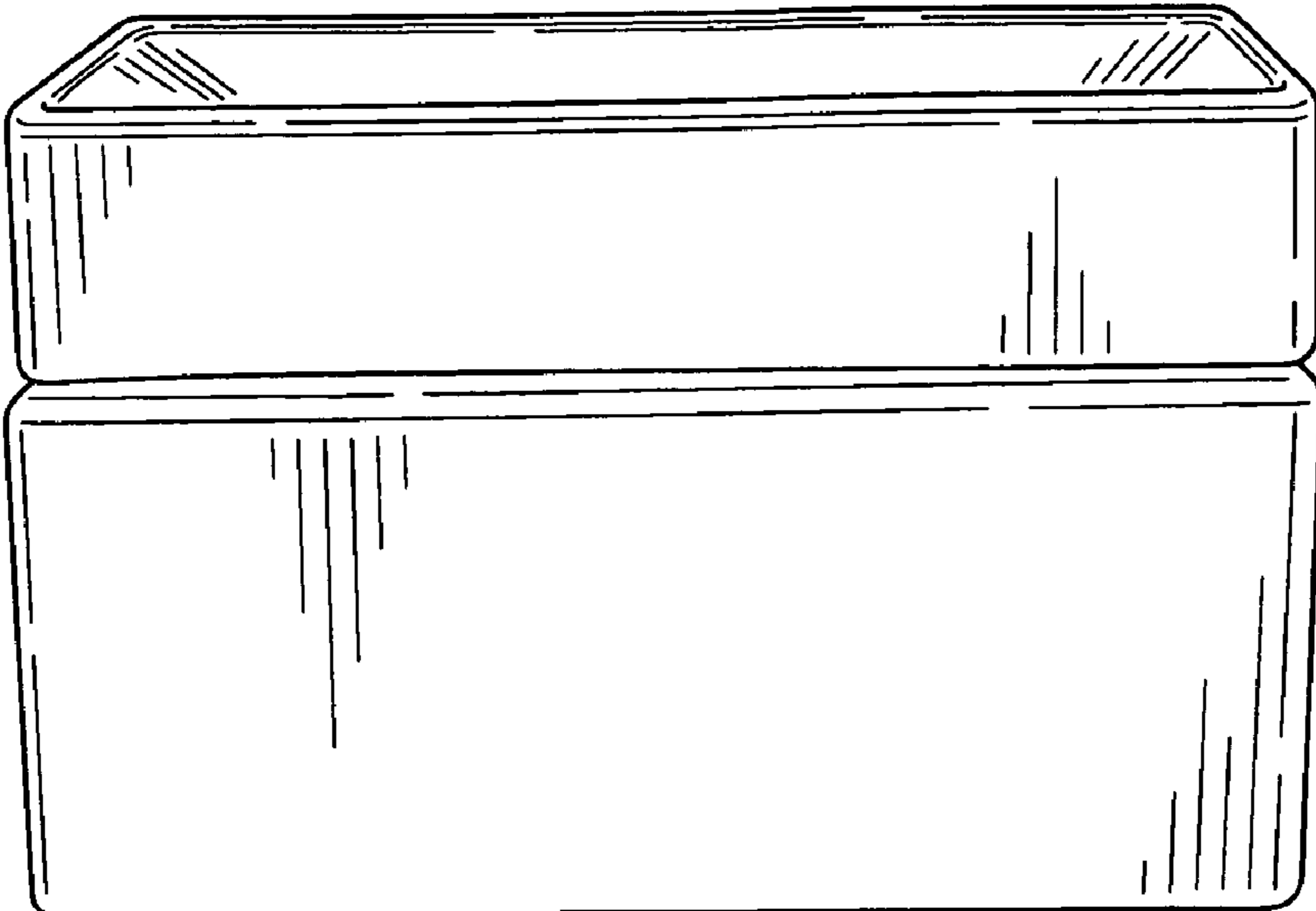


FIG. 2

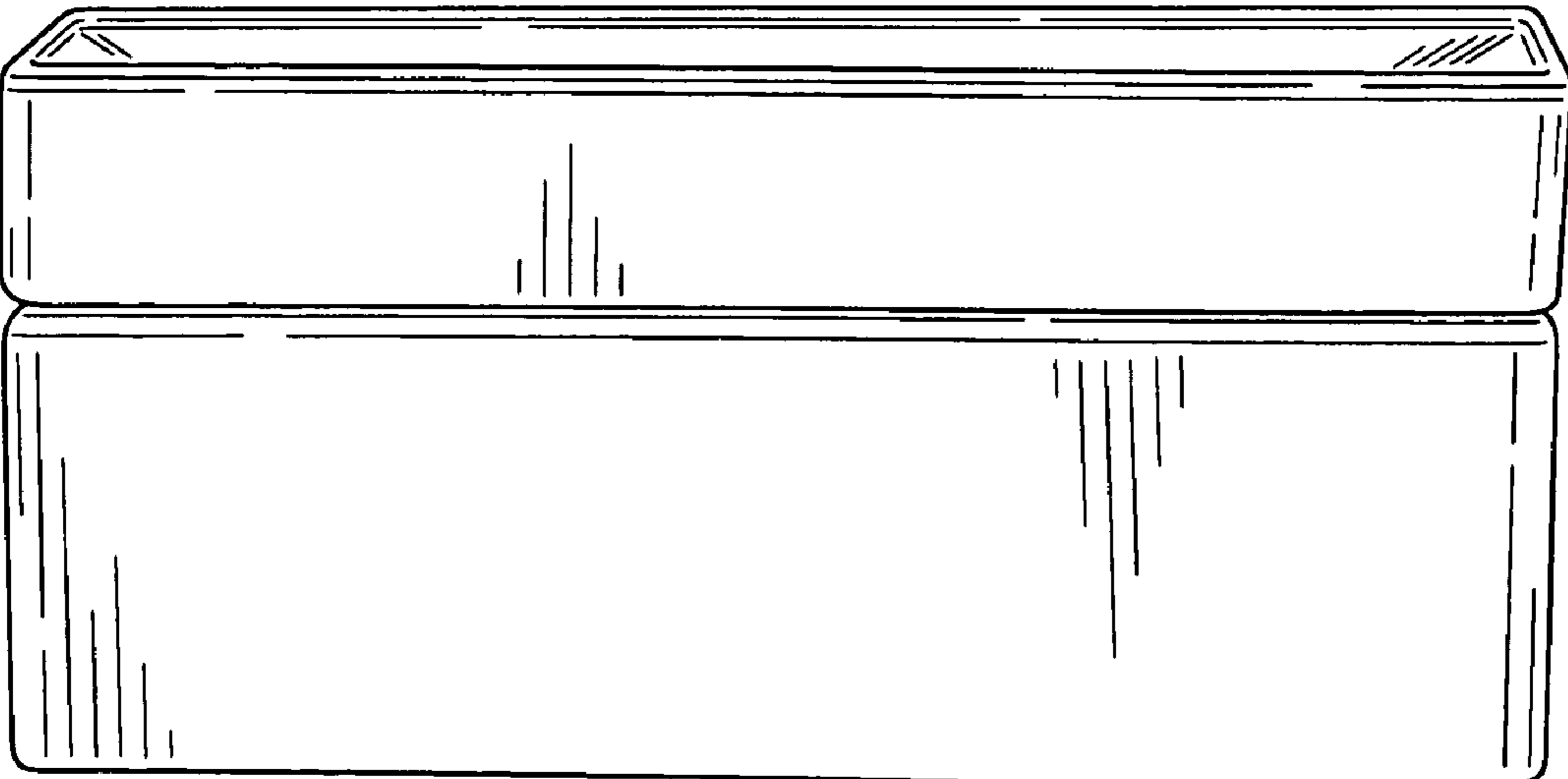


FIG. 3

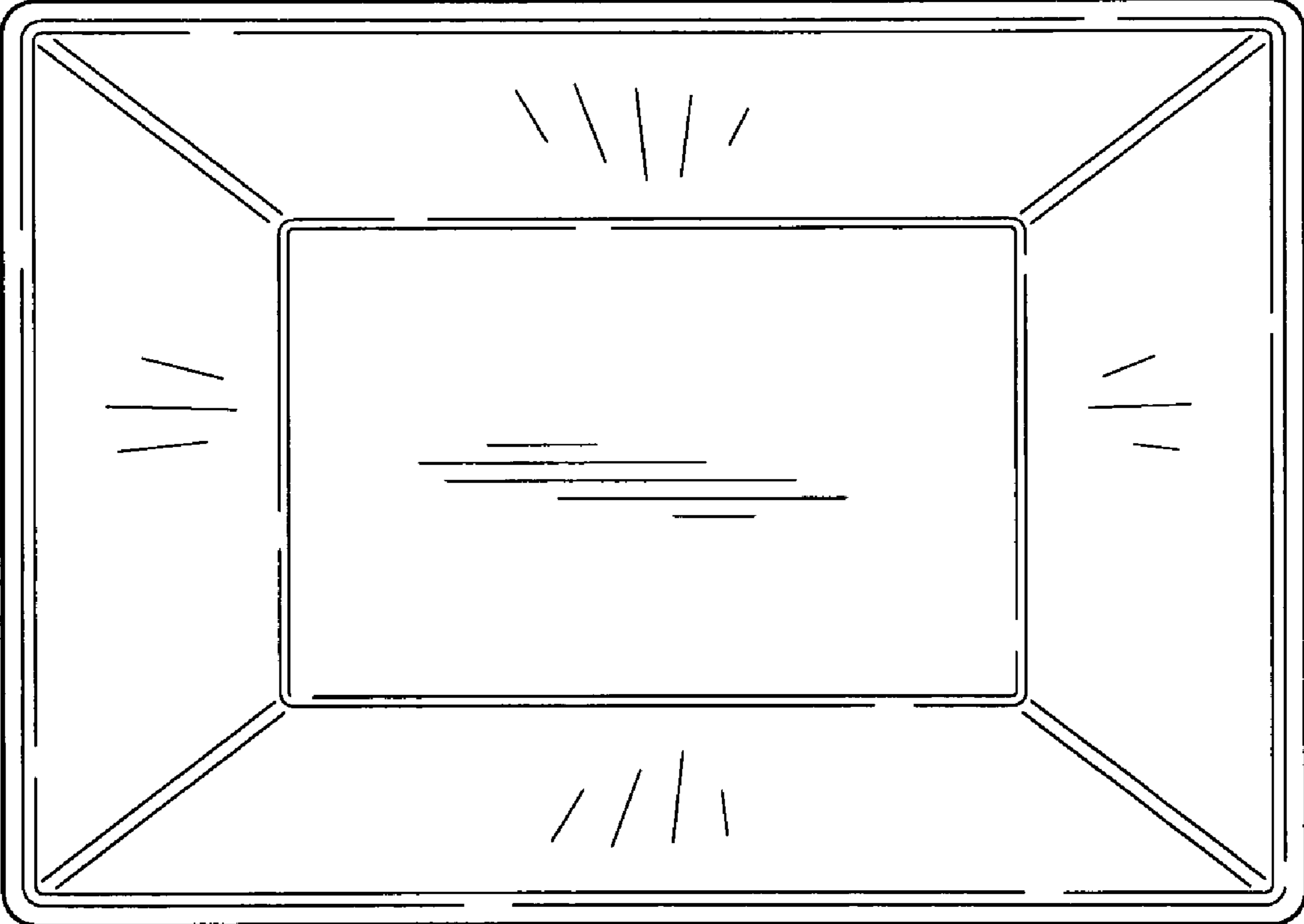


FIG. 4

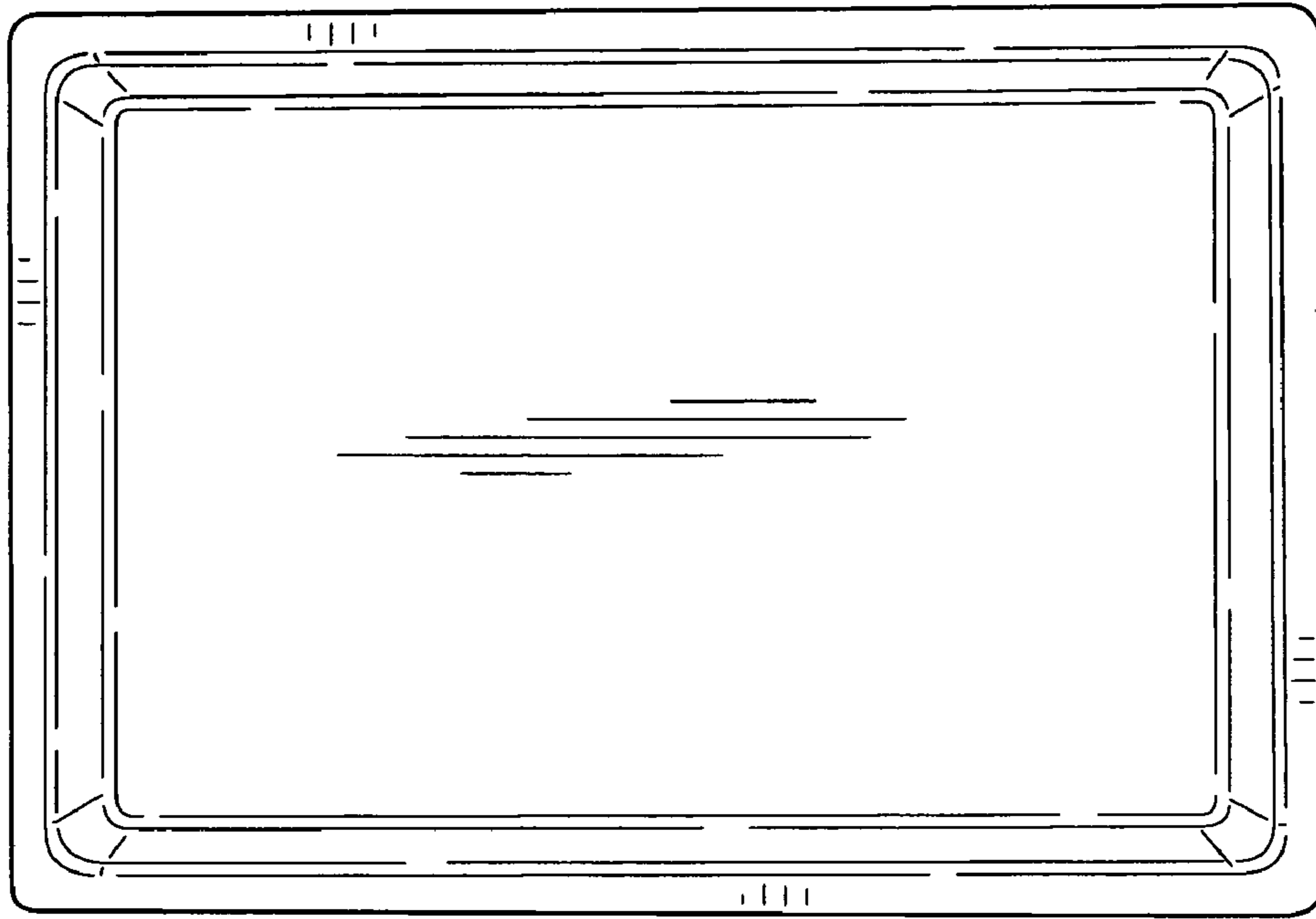


FIG. 5

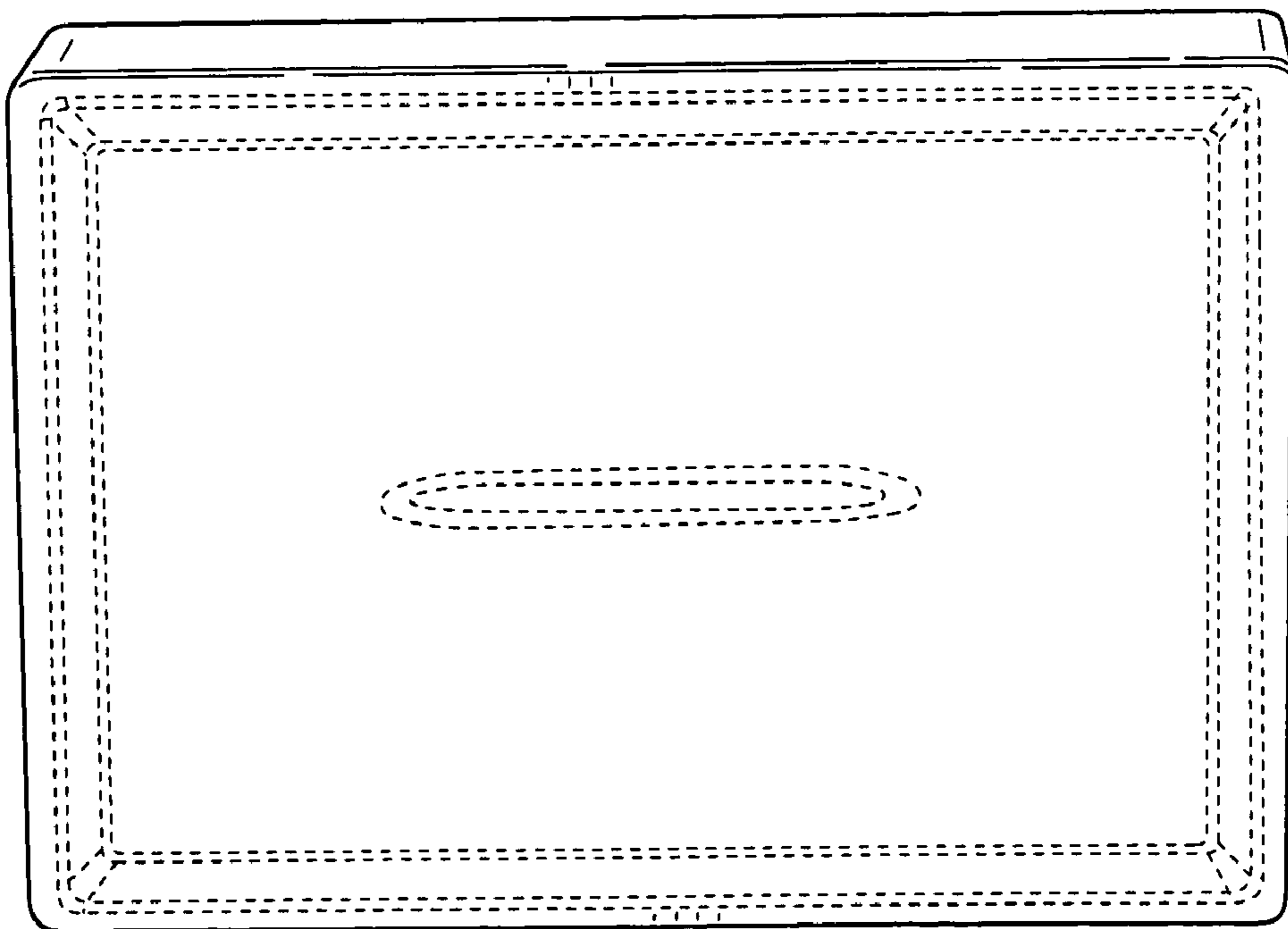


FIG. 6