



US00D610324S

(12) **United States Design Patent**  
**Rossini et al.**

(10) **Patent No.:** **US D610,324 S**  
(45) **Date of Patent:** **\*\* Feb. 16, 2010**

(54) **MOBILE CART, PEDESTAL ASSEMBLY**

2007/0266913 A1 11/2007 Hardt

(75) Inventors: **Alfred P. Rossini**, Southborough, MA (US); **Louis F. Genatossio**, Shrewsbury, MA (US)

(73) Assignee: **Jaco, Inc.**, Franklin, MA (US)

(\*\*) Term: **14 Years**

(21) Appl. No.: **29/337,782**

(22) Filed: **May 29, 2009**

(51) **LOC (9) Cl.** ..... **12-02**

(52) **U.S. Cl.** ..... **D34/27; D34/12**

(58) **Field of Classification Search** ..... D34/12-27;  
280/47.34, 79.3, 47.35, 47.26; 248/129,  
248/174; 211/135, 153, 19; D6/426, 422;  
108/50.01, 59

See application file for complete search history.

(56) **References Cited**

**U.S. PATENT DOCUMENTS**

3,715,148	A *	2/1973	Beals	.....	312/209
3,910,659	A *	10/1975	Peterson	.....	312/226
D339,441	S *	9/1993	Marchant et al.	.....	D34/21
D426,691	S	6/2000	Johnson et al.		
6,484,747	B2	11/2002	Bridgers		
D486,915	S	2/2004	Warschewske et al.		
D493,977	S	8/2004	Rossini et al.		
D497,462	S	10/2004	Ryan		
D518,267	S	3/2006	Arceta		
D534,746	S	1/2007	Rossini et al.		
D536,151	S	1/2007	Rossini et al.		
D539,794	S	4/2007	Rossini et al.		
D547,519	S	7/2007	Reckelhoff		
D553,324	S *	10/2007	Lieblein	.....	D34/14
2005/0045072	A1	3/2005	Rossini et al.		
2005/0178298	A1	8/2005	Rossini et al.		
2007/0001413	A1	1/2007	Rossini et al.		
2007/0227409	A1	10/2007	Chu		

**OTHER PUBLICATIONS**

Mobile Cart, Pedestal Assembly; U.S. Appl. No. 29/318,718, filed May 27, 2008; Inventor: Alfred P. Rossini.  
Mobile Cart, Pedestal Assembly; U.S. Appl. No. 29/318,722, filed May 27, 2008; Inventor: Alfred P. Rossini.  
Mobile Cart, Pedestal Assembly; U.S. Appl. No. 29/337,770, filed May 29, 2009; Inventor: Alfred P. Rossini.  
Mobile Cart, Pedestal Assembly; U.S. Appl. No. 29/337,786, filed May 29, 2009; Inventor: Alfred P. Rossini.

\* cited by examiner

*Primary Examiner*—Cynthia E Ramirez

(74) *Attorney, Agent, or Firm*—Brian M. Dingman; Mirick, O'Connell, DeMallie & Lagee, LLP

(57) **CLAIM**

The ornamental design for a mobile cart, pedestal assembly, as shown and described.

**DESCRIPTION**

FIG. 1 is a perspective view of the mobile cart, pedestal assembly of the invention;

FIG. 2 is a front view of the mobile cart, pedestal assembly of FIG. 1;

FIG. 3 is a rear view of the mobile cart, pedestal assembly of FIG. 1;

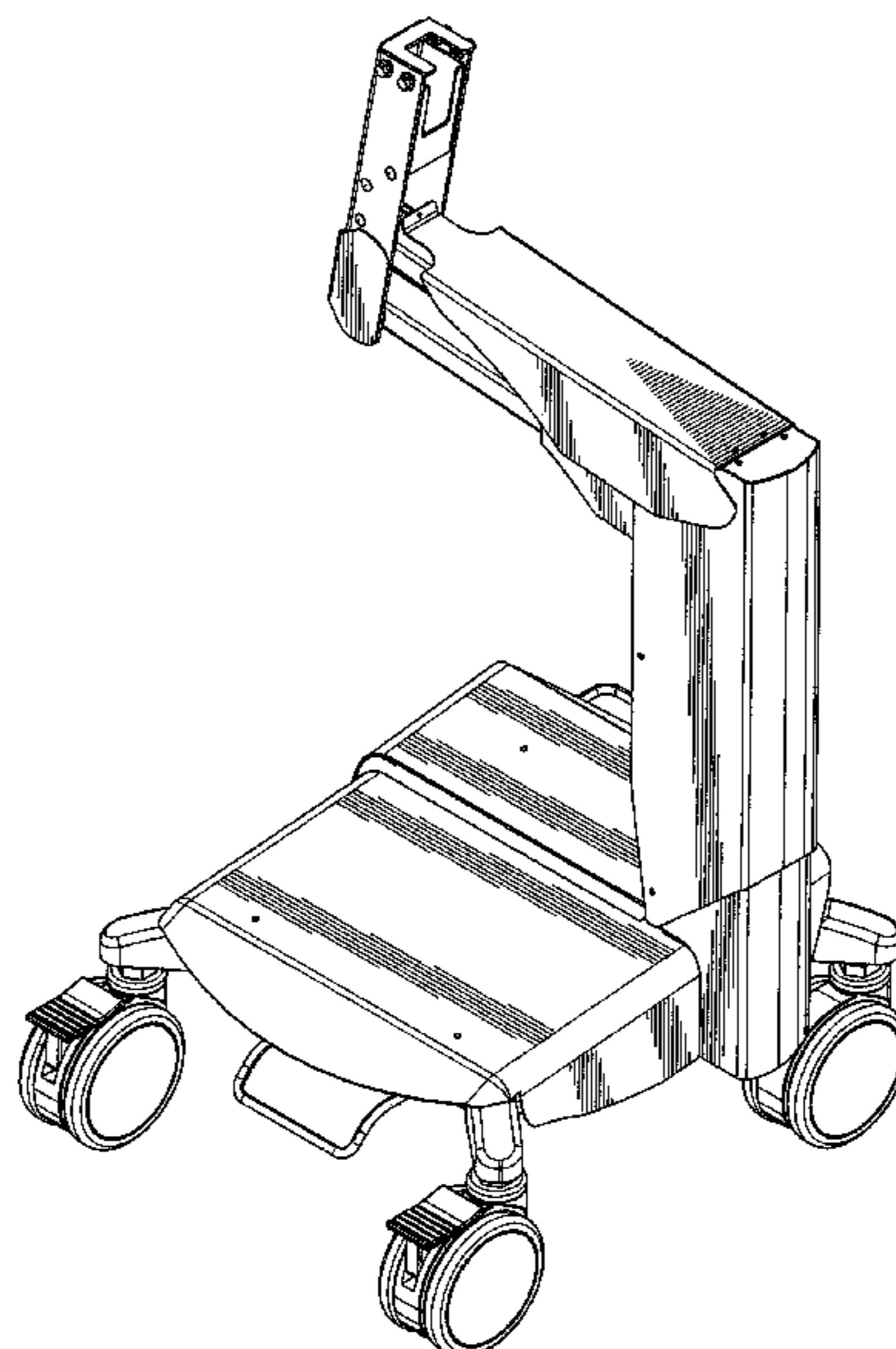
FIG. 4 is a right side view of the mobile cart, pedestal assembly of FIG. 1;

FIG. 5 is a left side view of the mobile cart, pedestal assembly of FIG. 1;

FIG. 6 is a top view of the mobile cart, pedestal assembly of FIG. 1; and,

FIG. 7 is a bottom view of the mobile cart, pedestal assembly of FIG. 1.

**1 Claim, 7 Drawing Sheets**



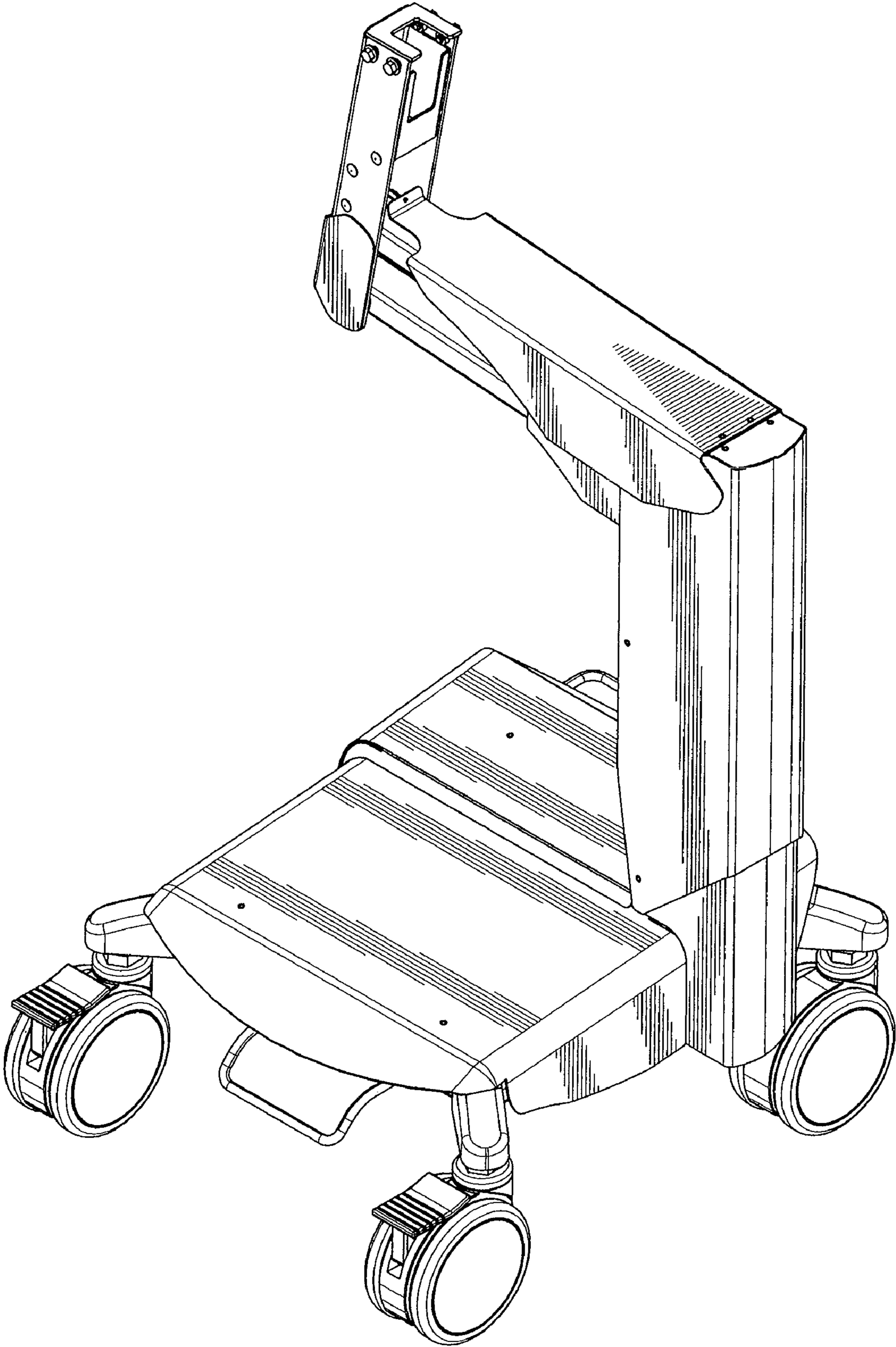


FIG. 1

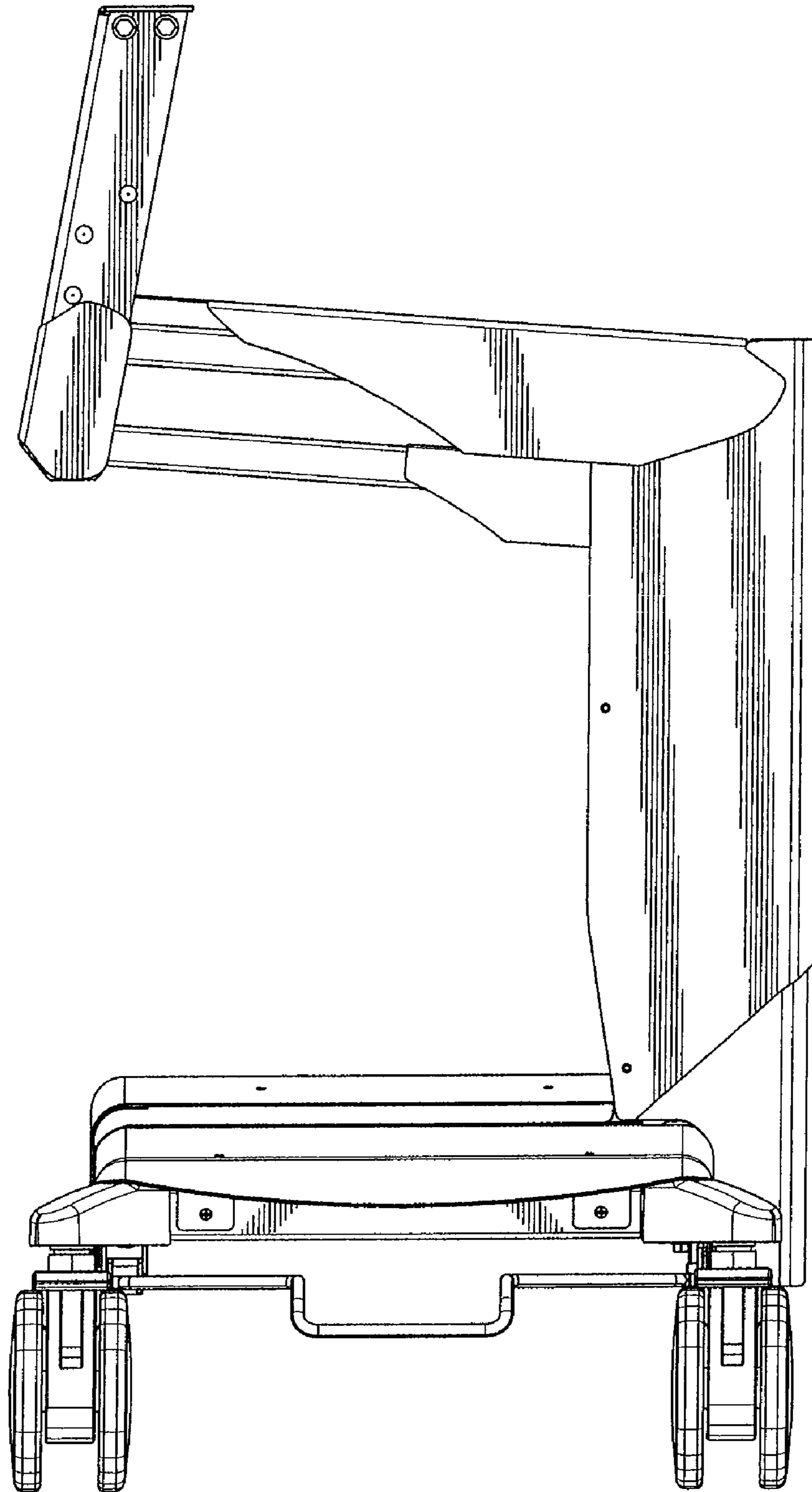


FIG. 2

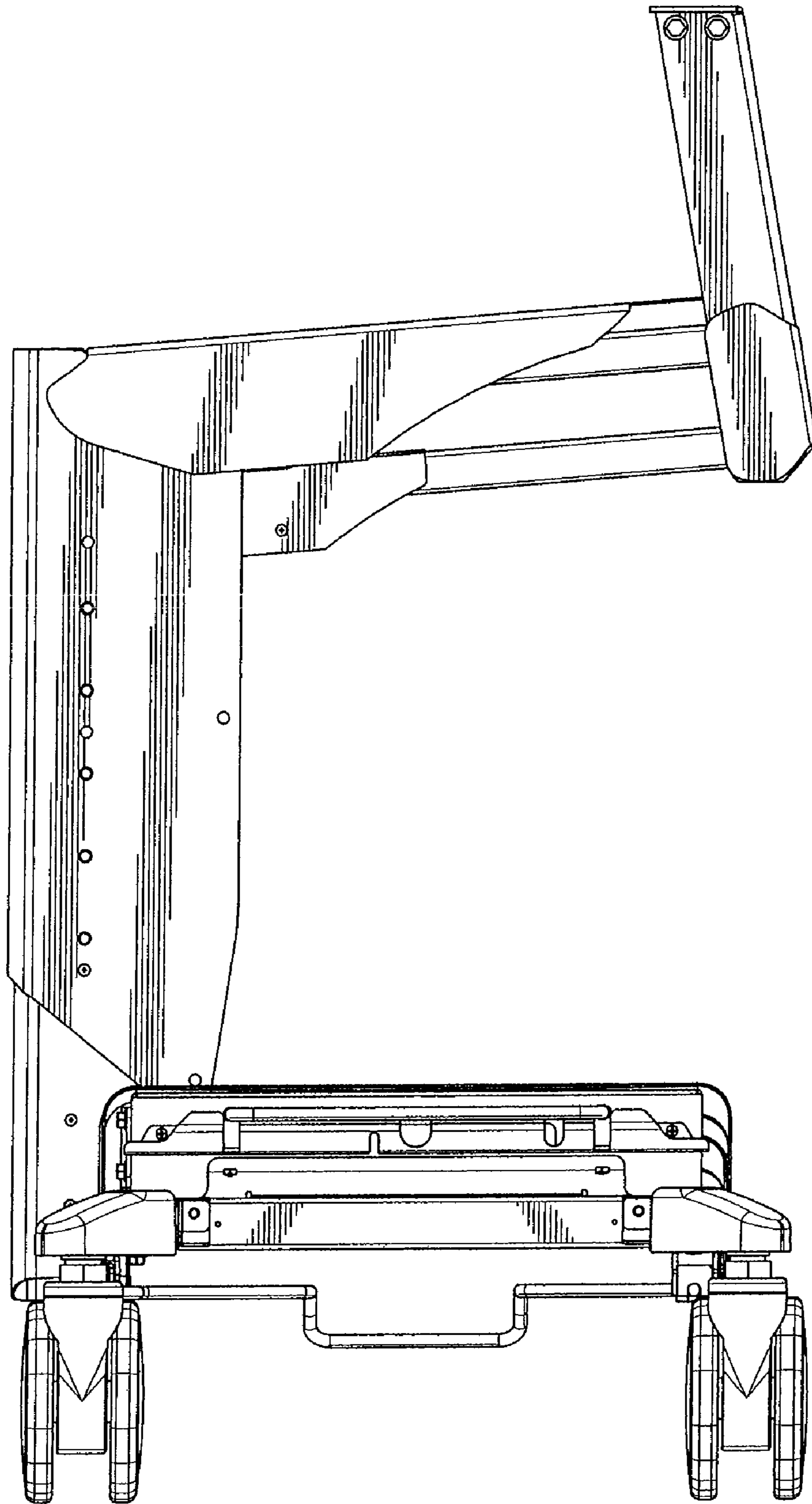


FIG. 3



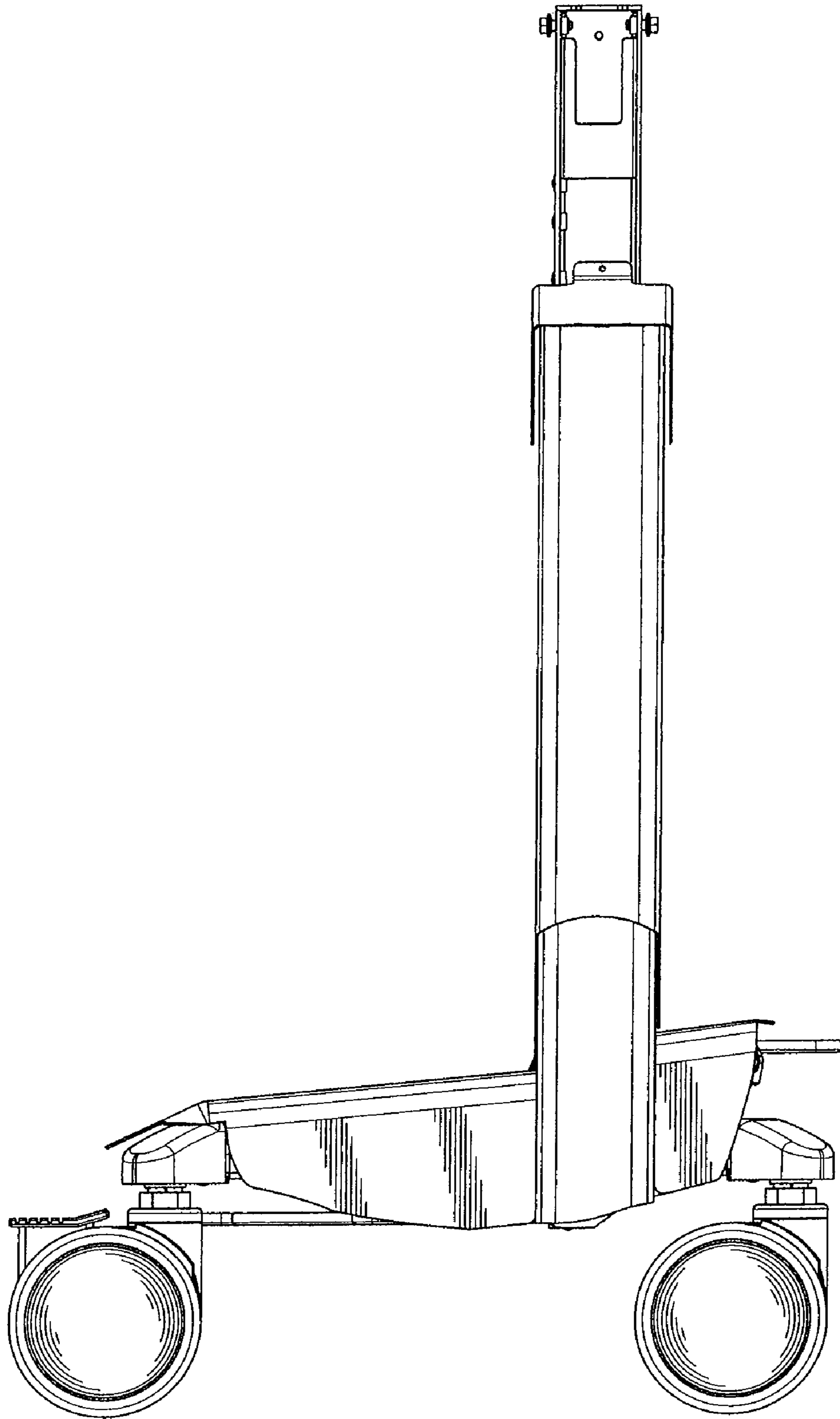


FIG. 4

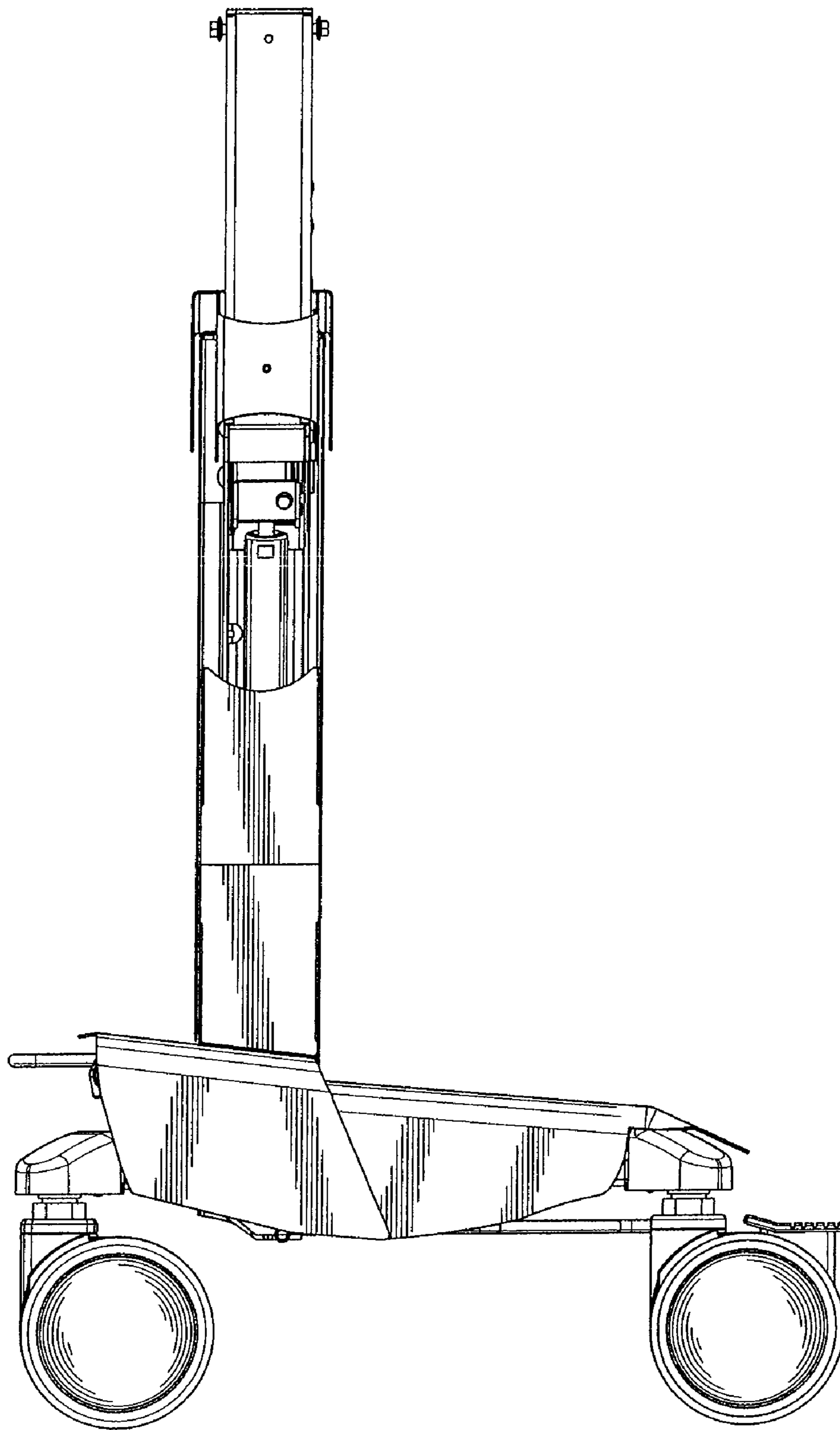


FIG. 5

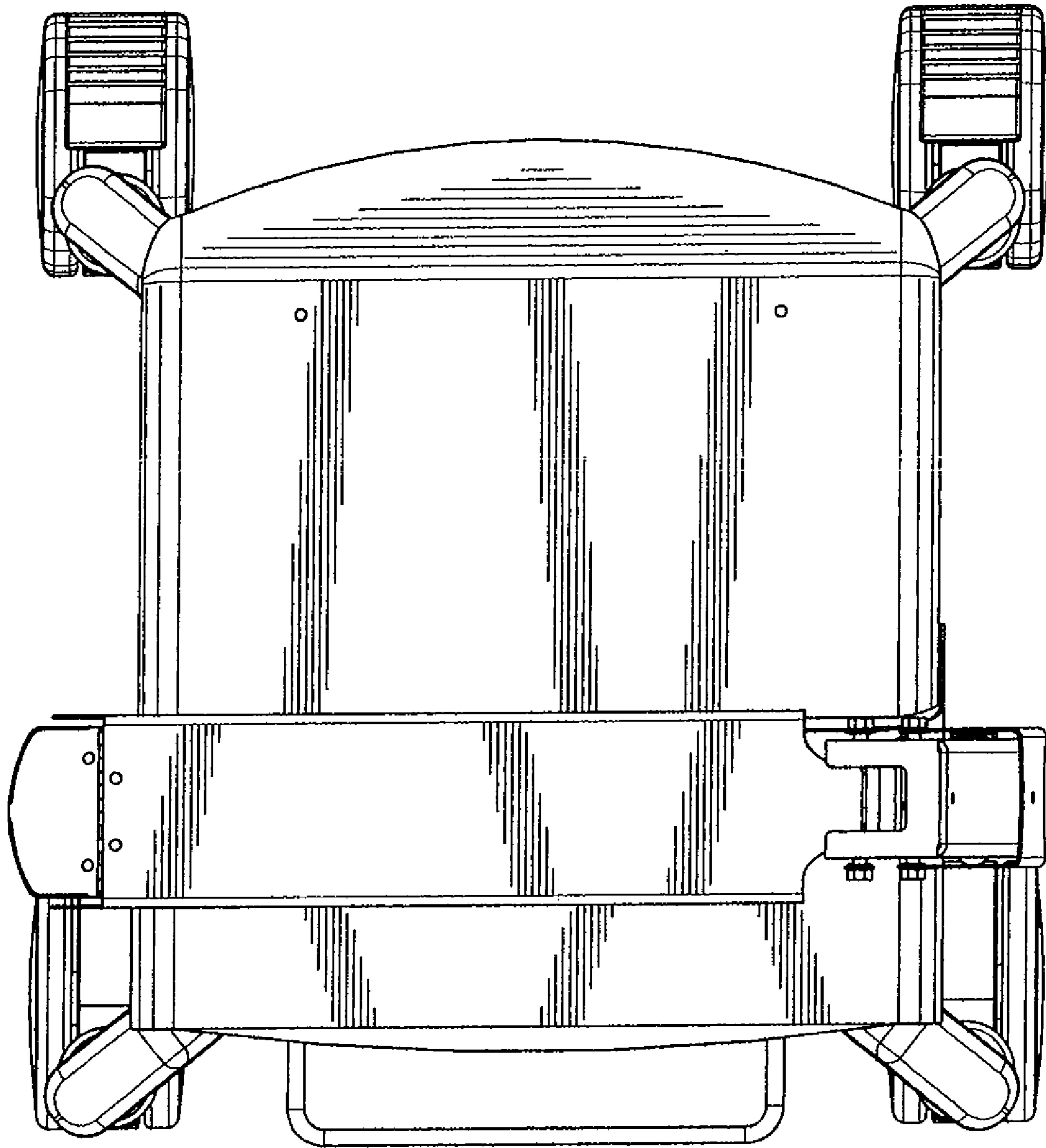


FIG. 6

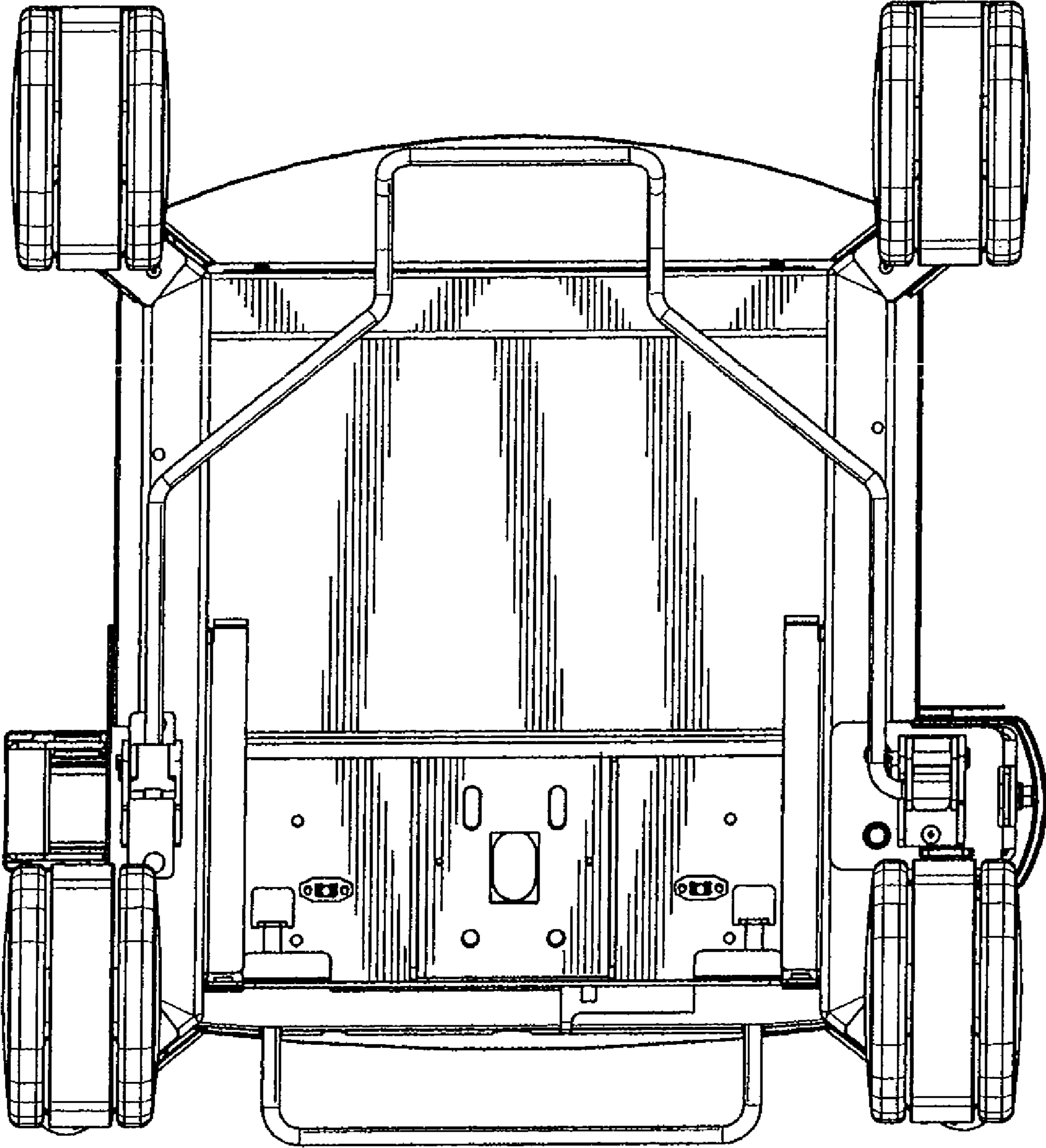


FIG. 7