



US00D610323S

(12) **United States Design Patent**
Saladino

(10) **Patent No.:** **US D610,323 S**

(45) **Date of Patent:** **** Feb. 16, 2010**

(54) **SERVICE CART**

(75) Inventor: **Frank Saladino**, Belton, TX (US)

(73) Assignee: **Mooreco, Inc.**, Temple, TX (US)

(**) Term: **14 Years**

(21) Appl. No.: **29/300,322**

(22) Filed: **Mar. 13, 2008**

(51) **LOC (9) Cl.** **12-02**

(52) **U.S. Cl.** **D34/17**

(58) **Field of Classification Search** D34/12;
280/47.34, 47.35, 79.11, 79.2, 79.3

See application file for complete search history.

(56) **References Cited**

U.S. PATENT DOCUMENTS

1,854,777	A *	4/1932	Bales	211/126.15
4,644,876	A *	2/1987	Thomas	108/192
4,763,799	A *	8/1988	Cohn et al.	211/187
D554,323	S *	10/2007	Roth	D34/12
D561,972	S *	2/2008	Roever	D34/17

* cited by examiner

Primary Examiner—Cynthia E Ramirez

(74) *Attorney, Agent, or Firm*—The Nath Law Group; Derek Richmond; Robert T. Burns

(57) **CLAIM**

I claim the ornamental design for a service cart, as shown.

DESCRIPTION

FIG. 1 is a left perspective view of a first embodiment of a service cart;

FIG. 2 is a right perspective view of the first embodiment of the service cart;

FIG. 3 is a top view of a first embodiment of the service cart;

FIG. 4 is a left side view of a first embodiment of the service cart;

FIG. 5 is a rear view of a first embodiment of the service cart;

FIG. 6 is a left perspective view of a second embodiment of the service cart;

FIG. 7 is a right perspective view of a second embodiment of the service cart;

FIG. 8 is a top view of a second embodiment of the service cart;

FIG. 9 is a left side view of a second embodiment of the service cart;

FIG. 10 is a rear view of a second embodiment of the service cart;

FIG. 11 is a left perspective view of a third embodiment of the service cart;

FIG. 12 is a right perspective view of a third embodiment of the service cart;

FIG. 13 is a top view of a third embodiment of the service cart;

FIG. 14 is a left side view of a third embodiment of the service cart;

FIG. 15 is a rear view of a third embodiment of the service cart;

FIG. 16 is a right perspective view of a fourth embodiment of the service cart;

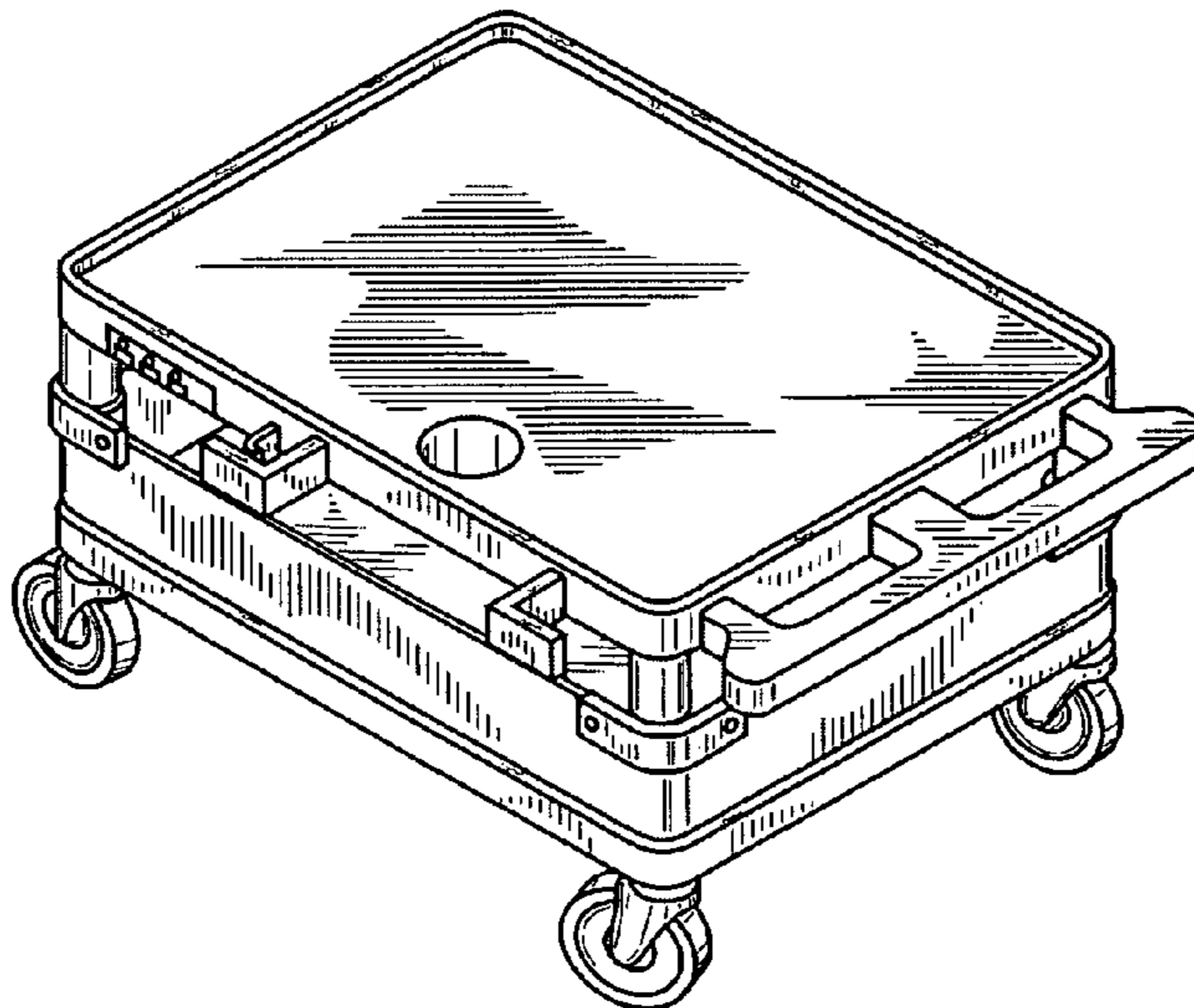
FIG. 17 is a left perspective view of a fourth embodiment of the service cart;

FIG. 18 is a top view of a fourth embodiment of the service cart;

FIG. 19 is a rear view of a fourth embodiment of the service cart; and,

FIG. 20 is a left side of a fourth embodiment of the service cart.

1 Claim, 12 Drawing Sheets



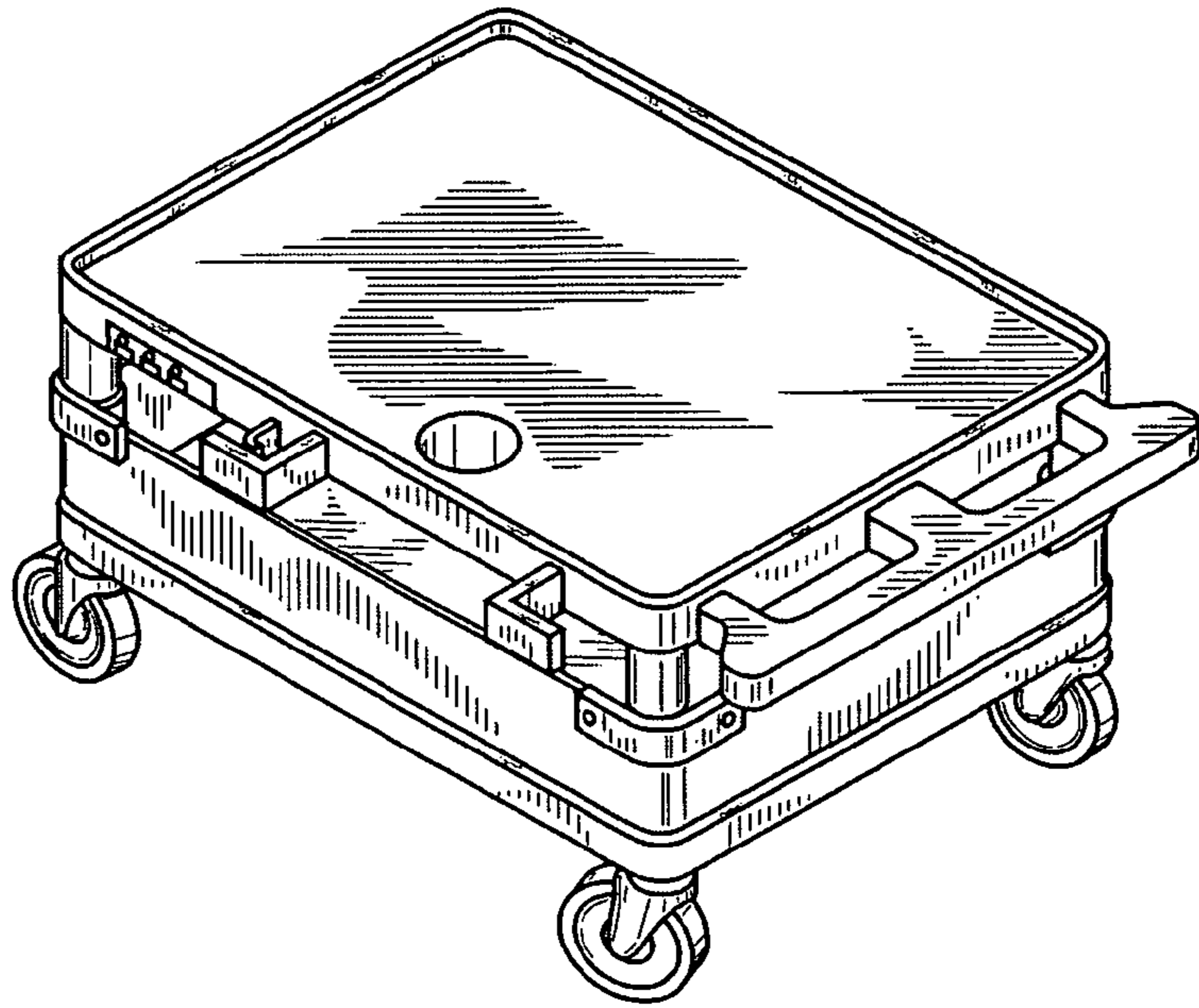


FIG. 1

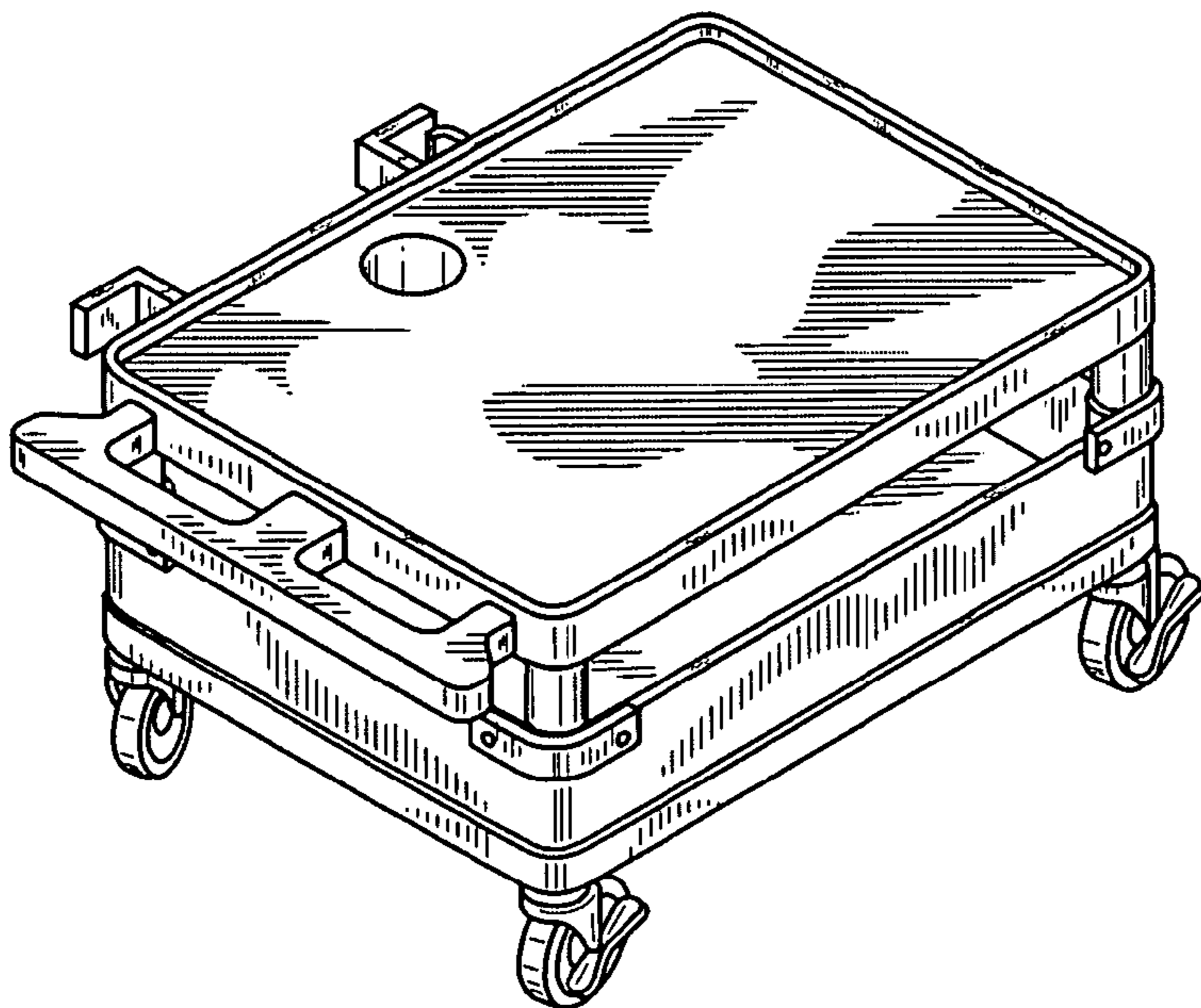


FIG. 2

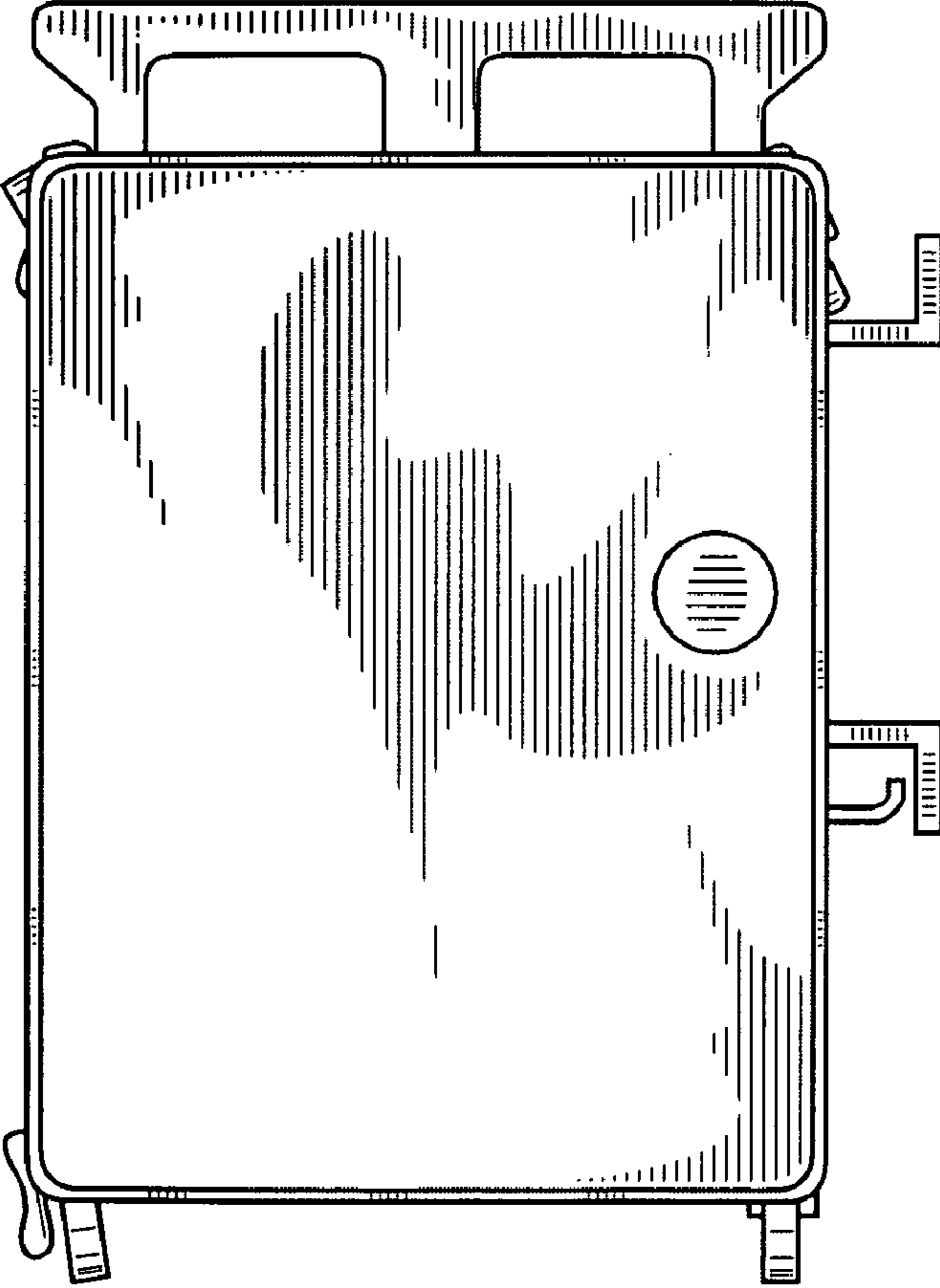


FIG. 3

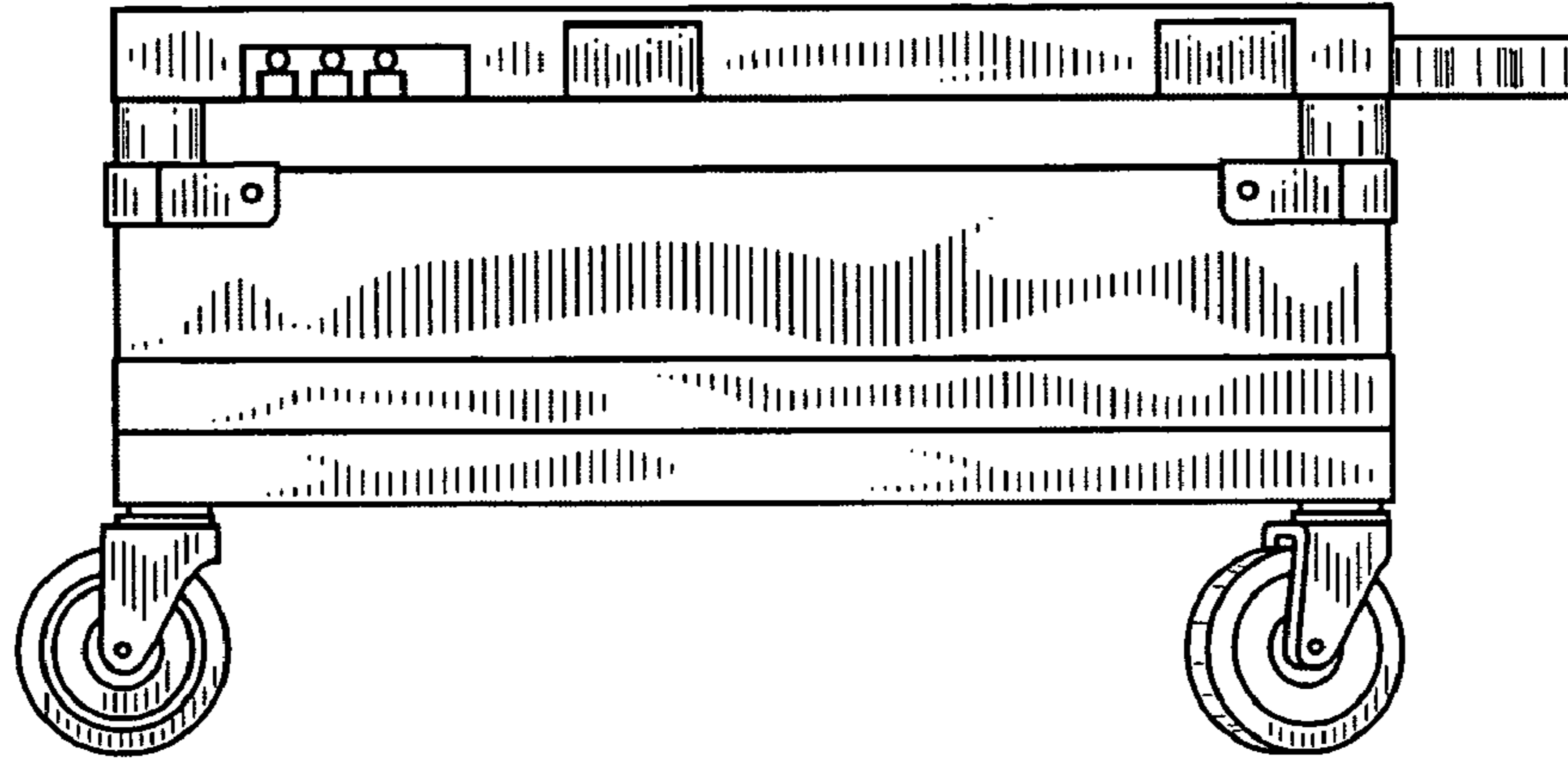


FIG. 4

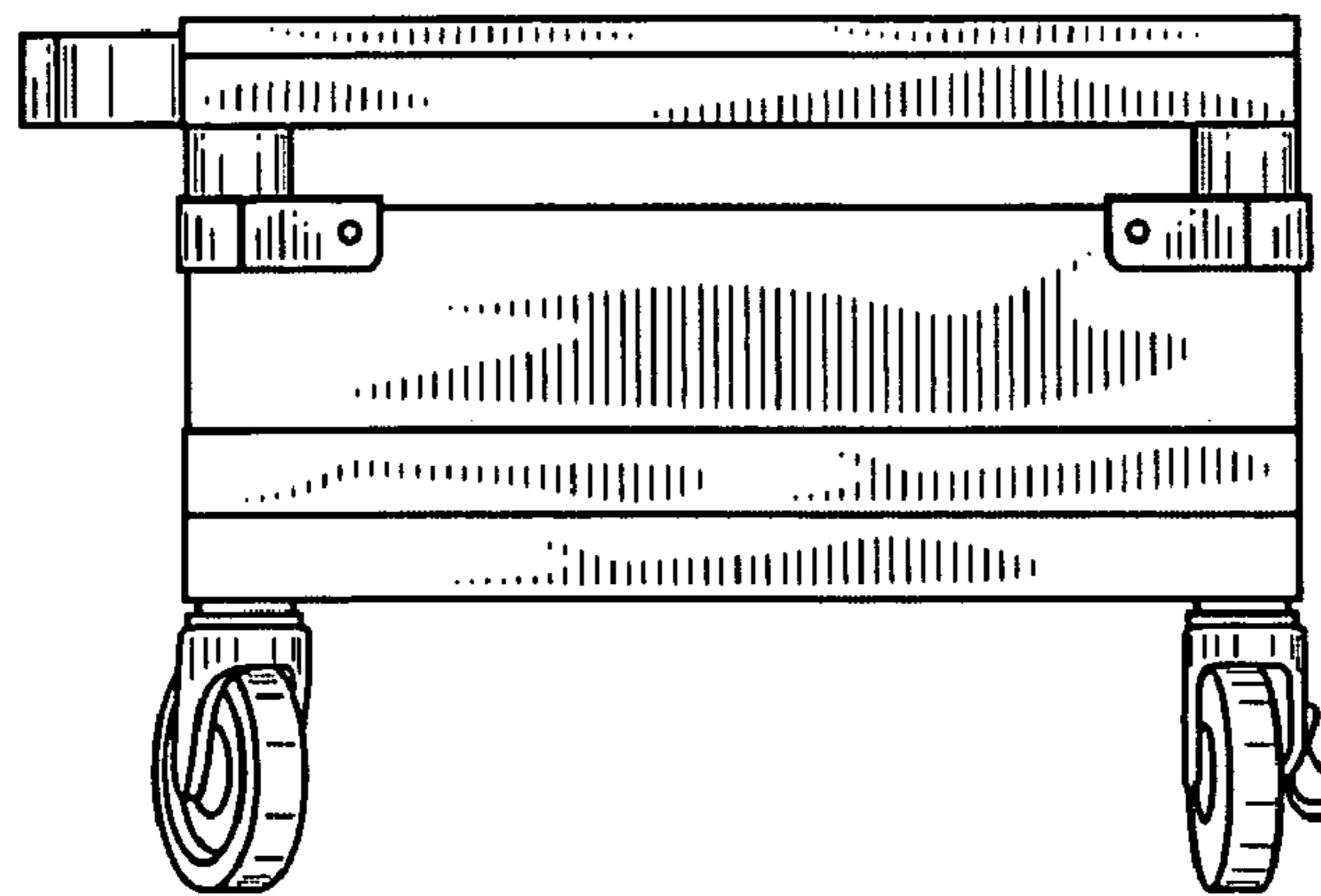


FIG. 5

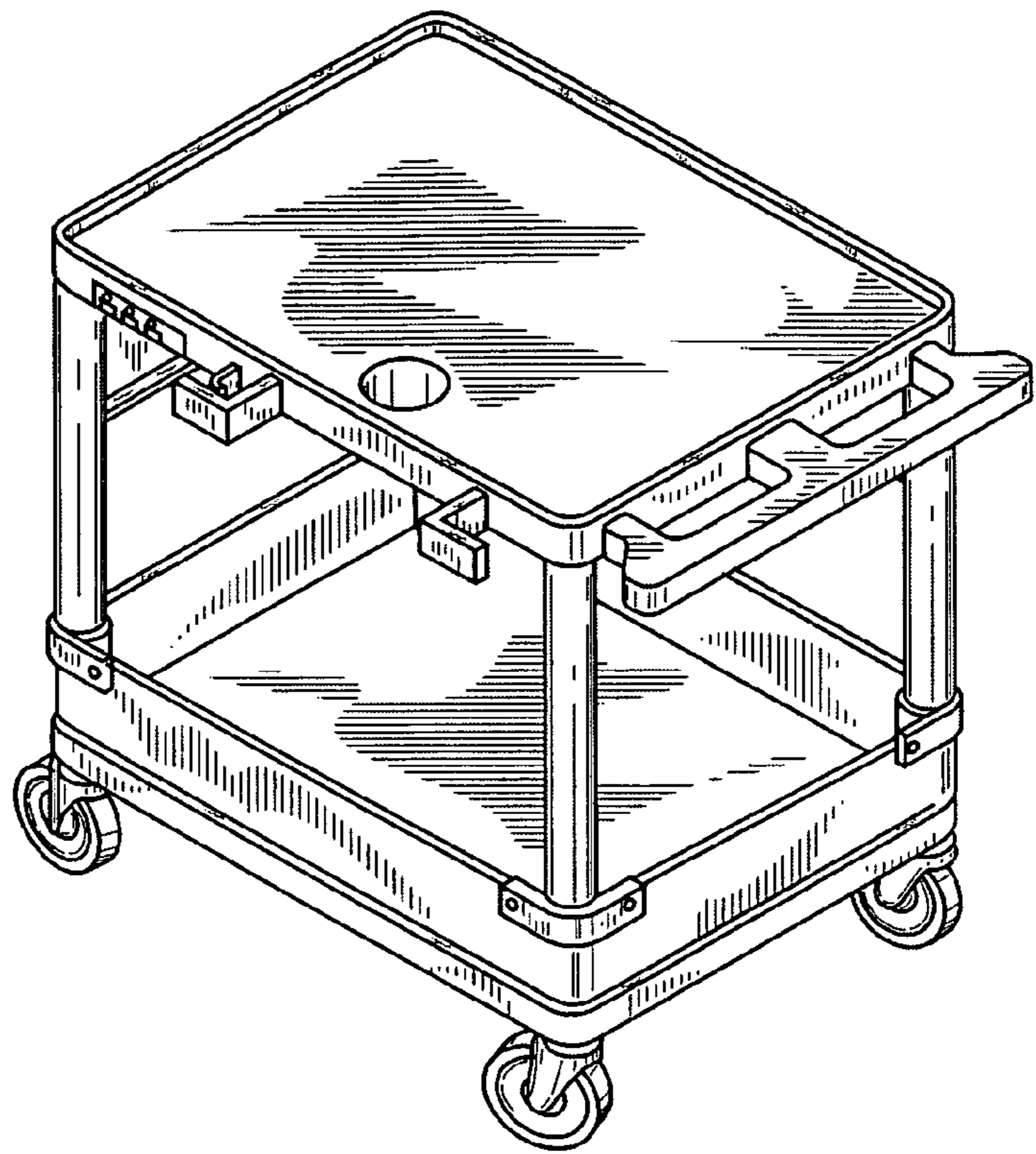


FIG. 6

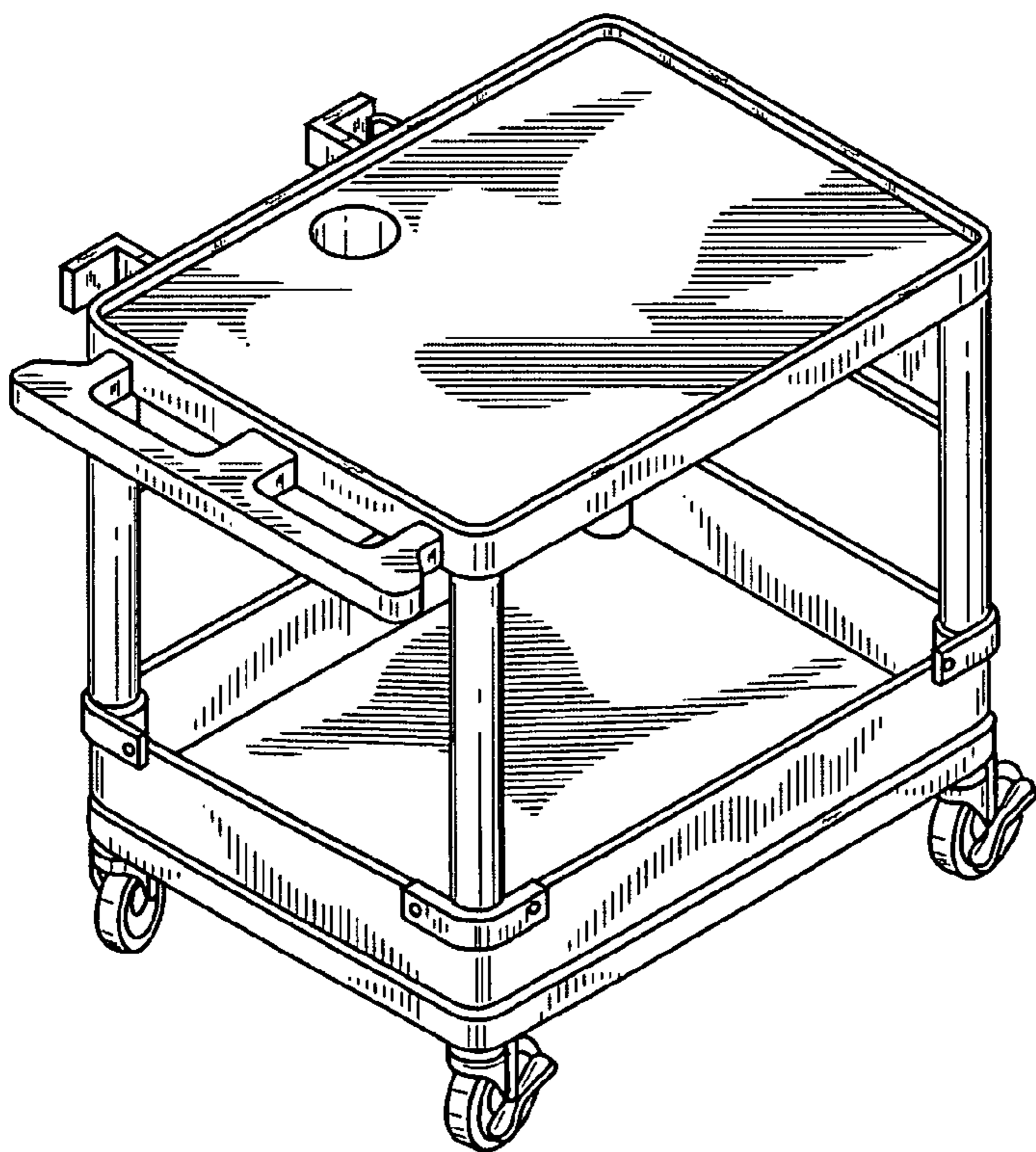


FIG. 7

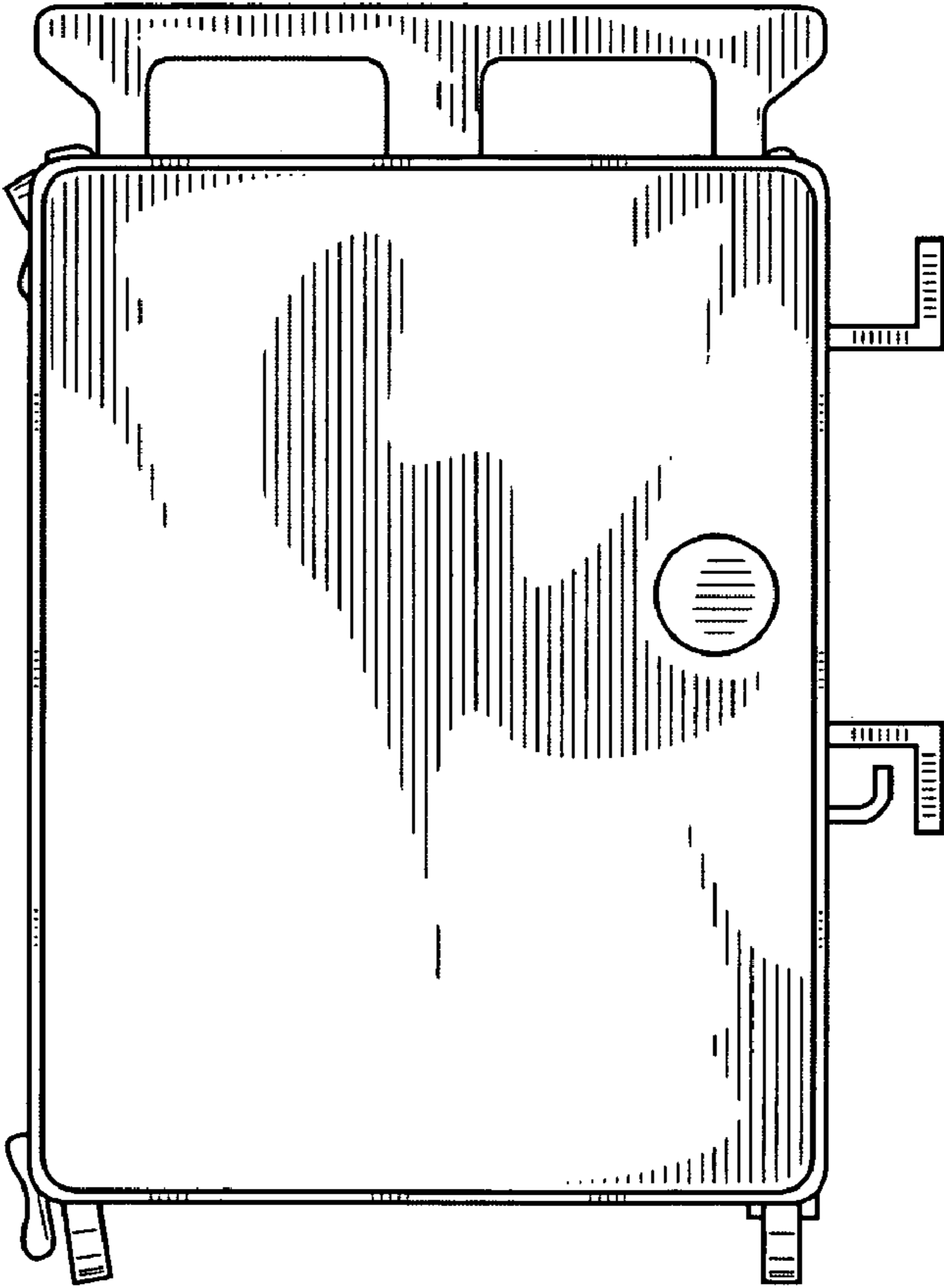


FIG. 8

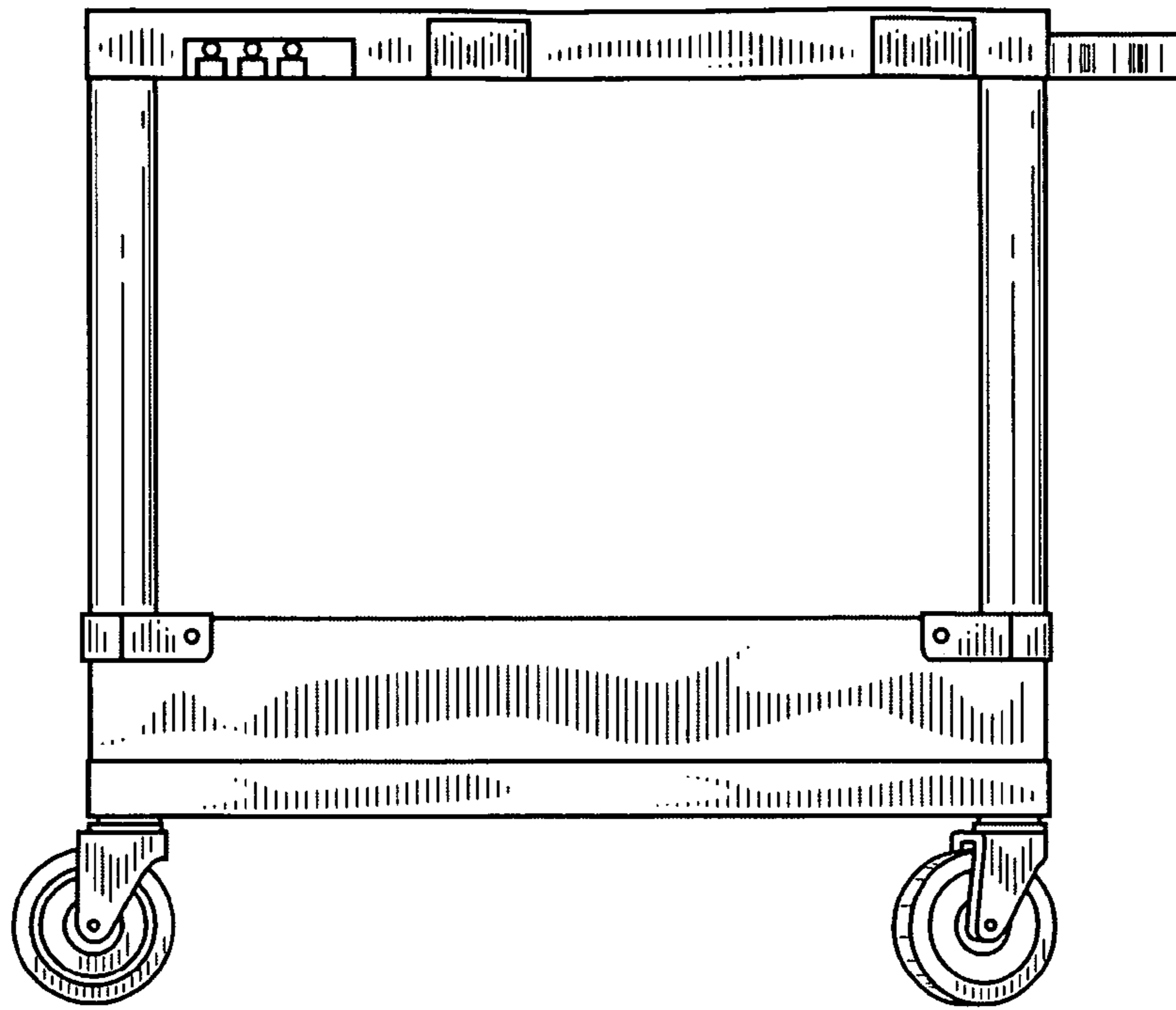


FIG. 9

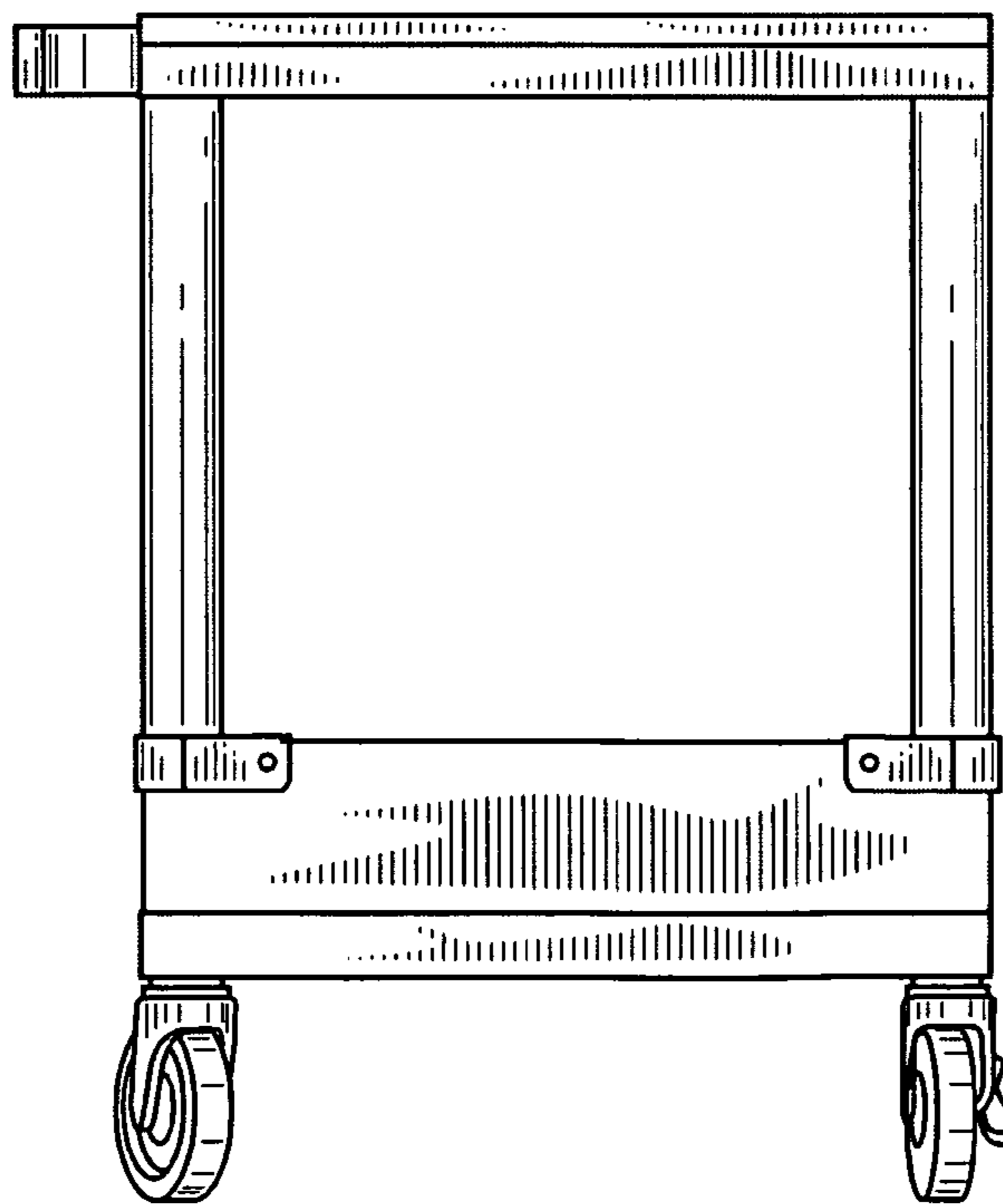


FIG. 10

FIG. 11

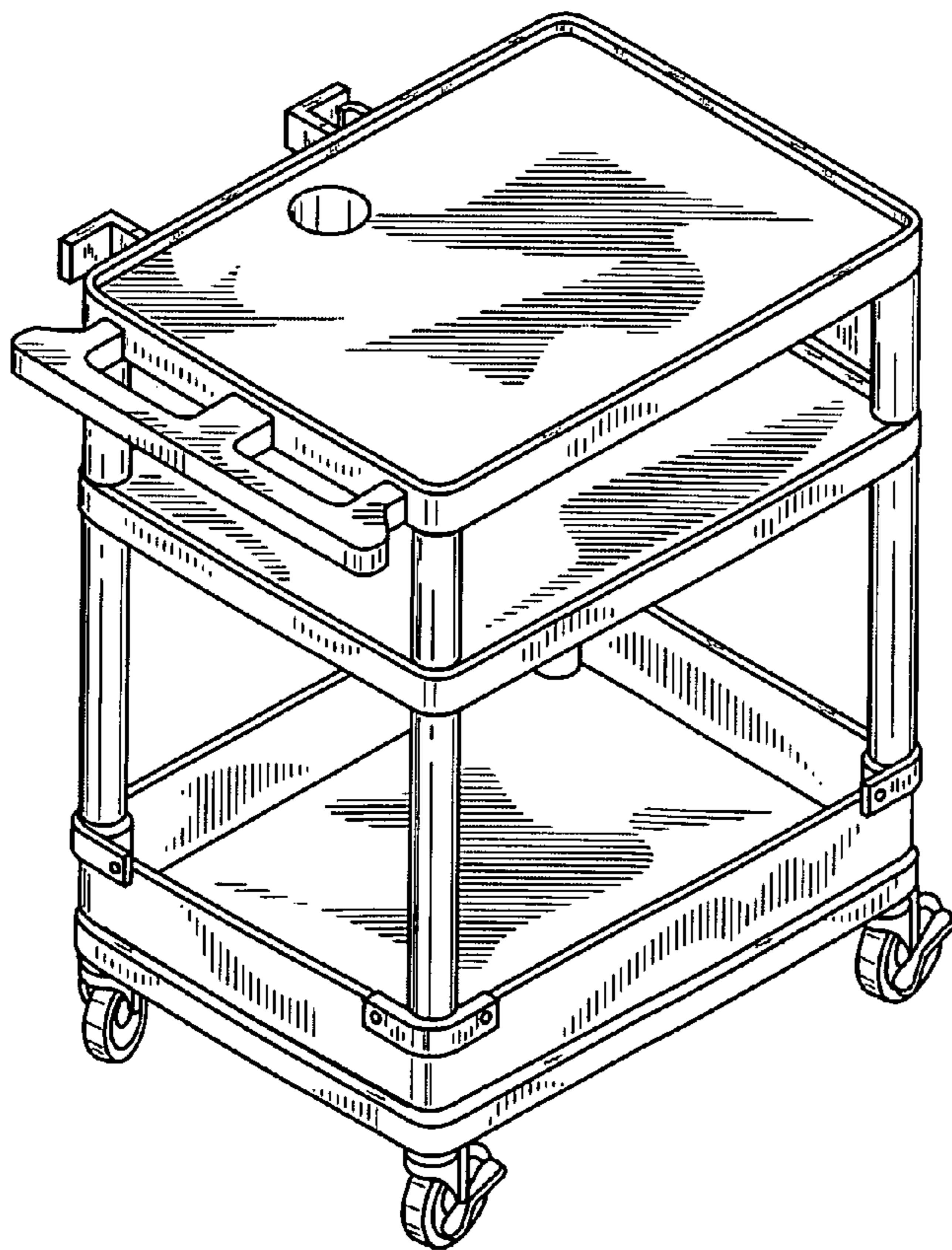
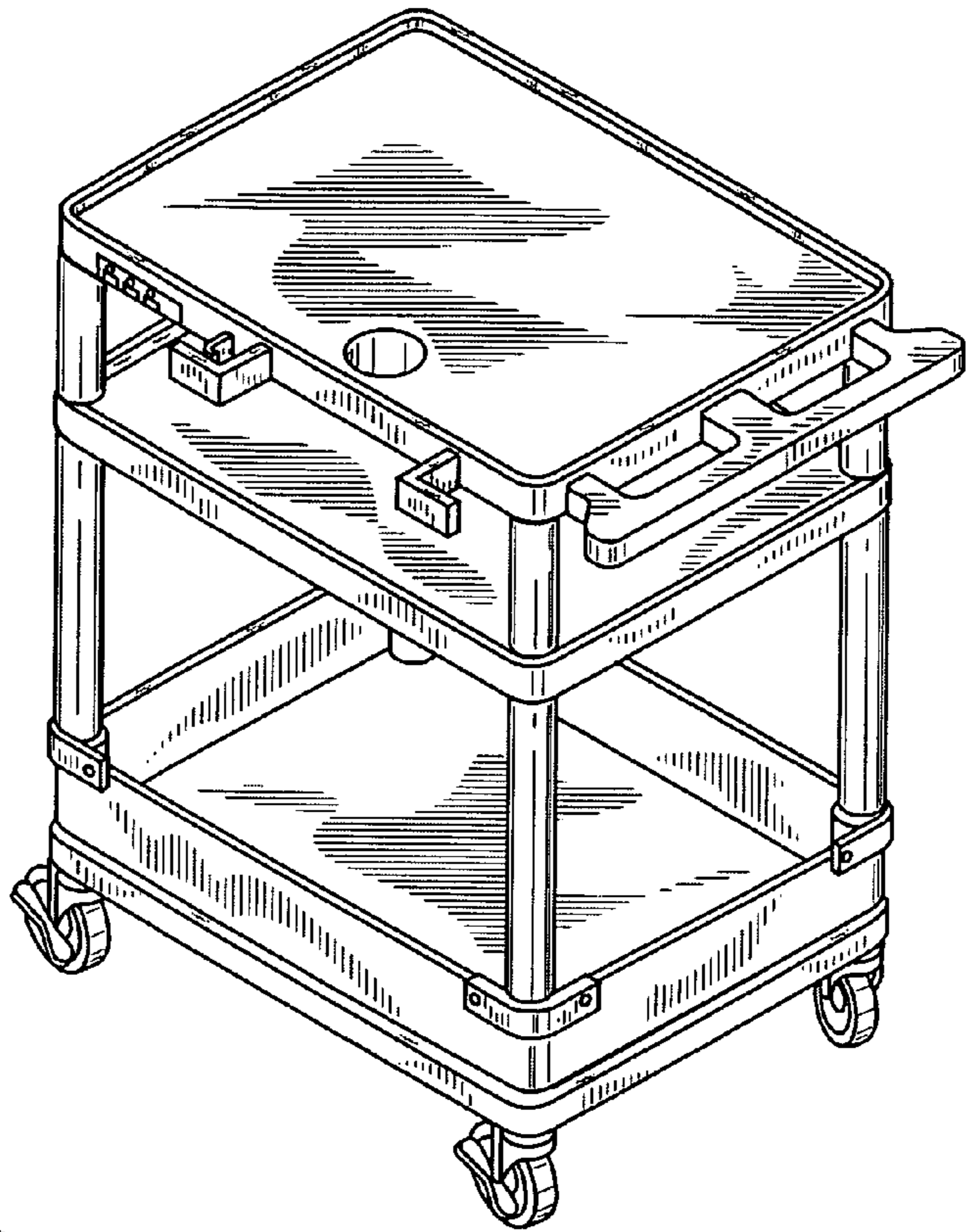


FIG. 12

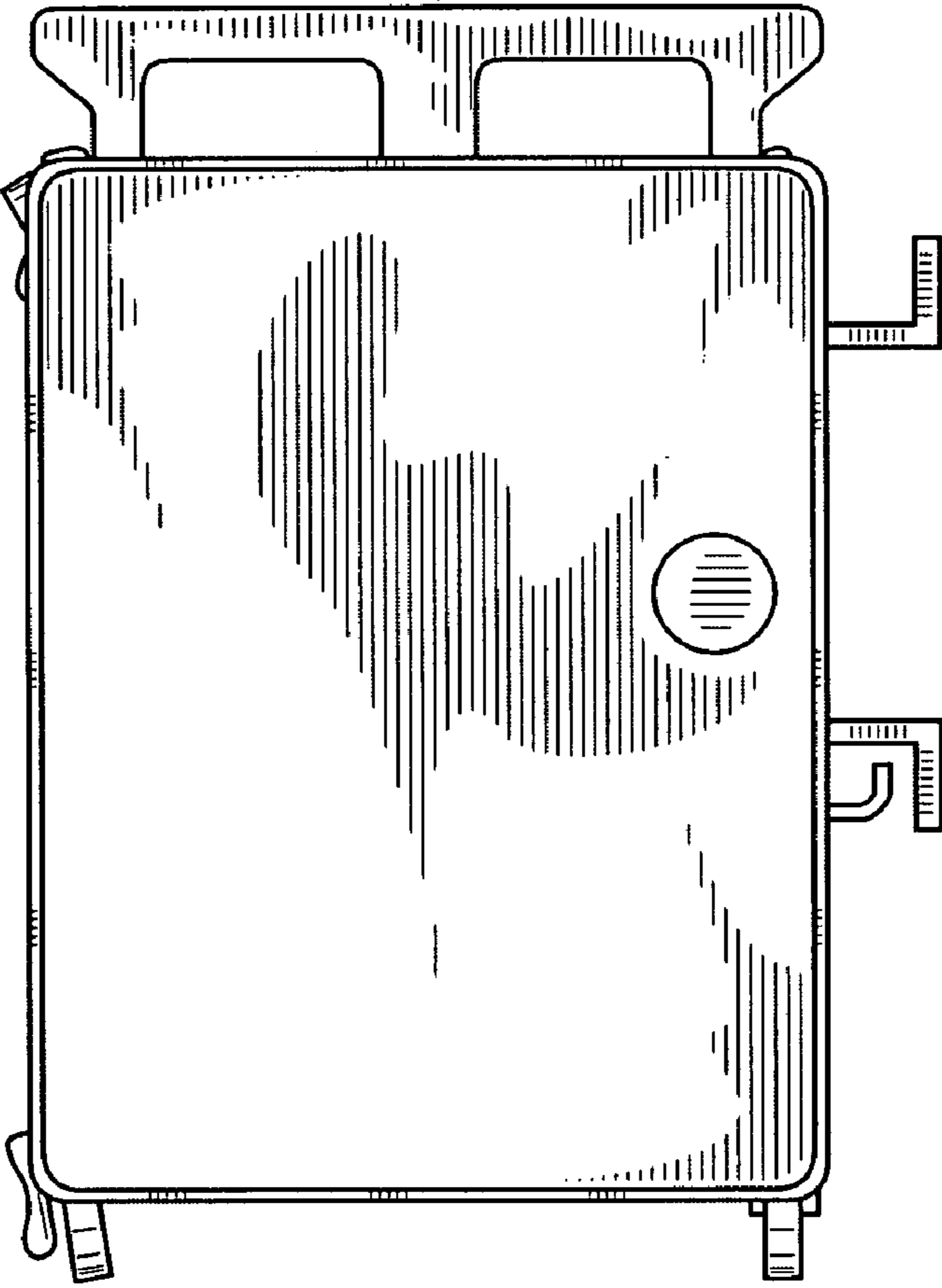


FIG. 13

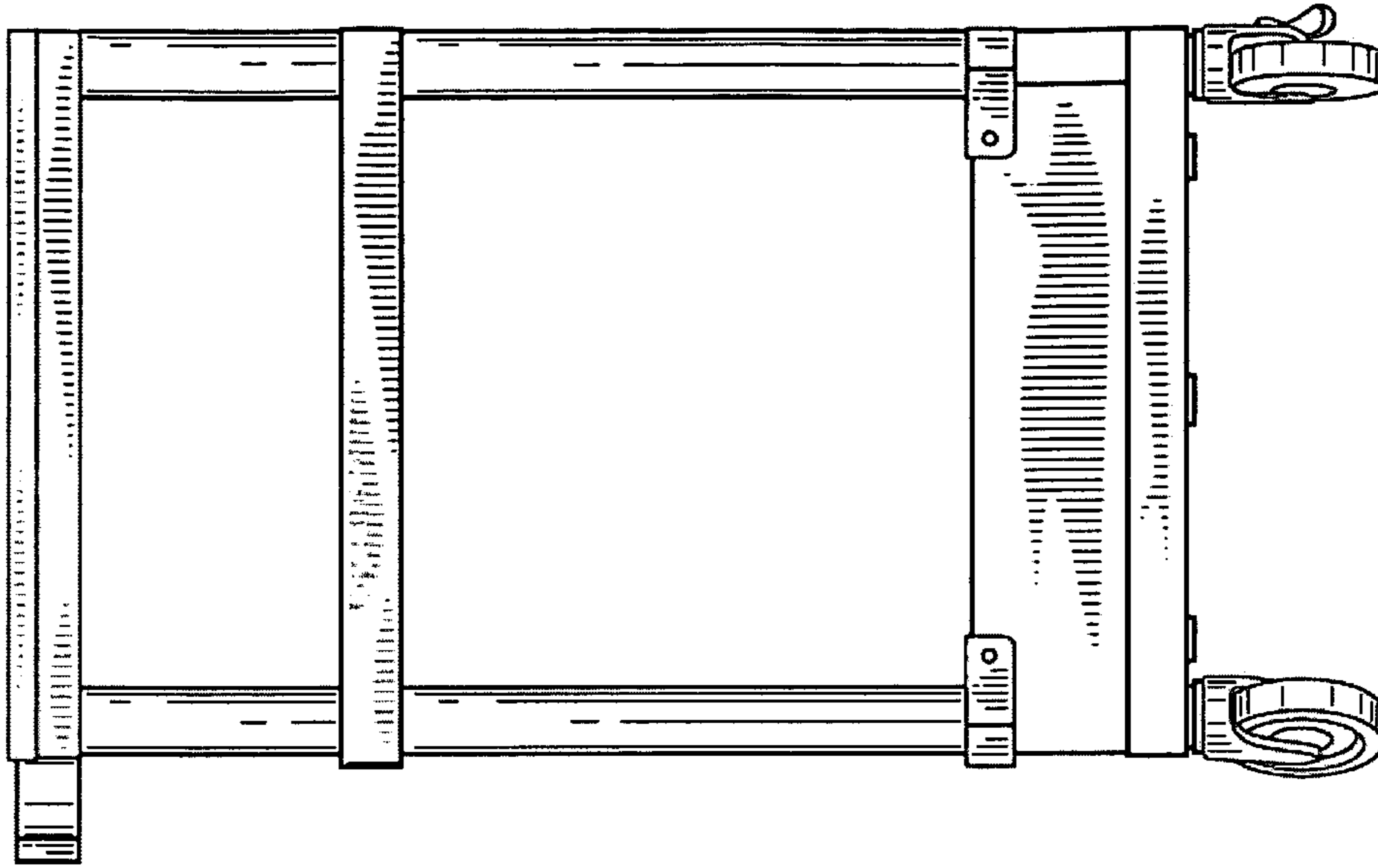


FIG. 15

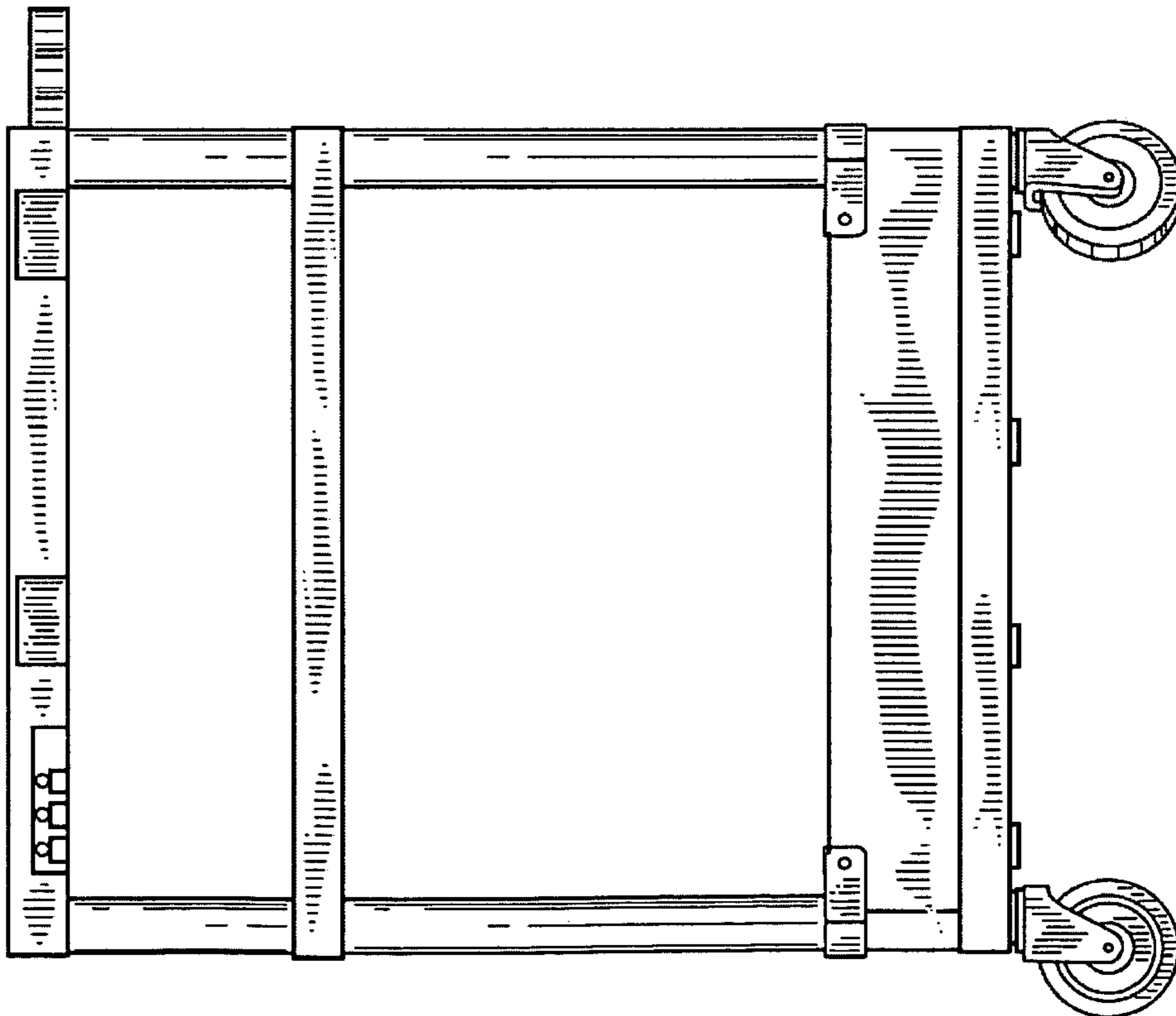


FIG. 14

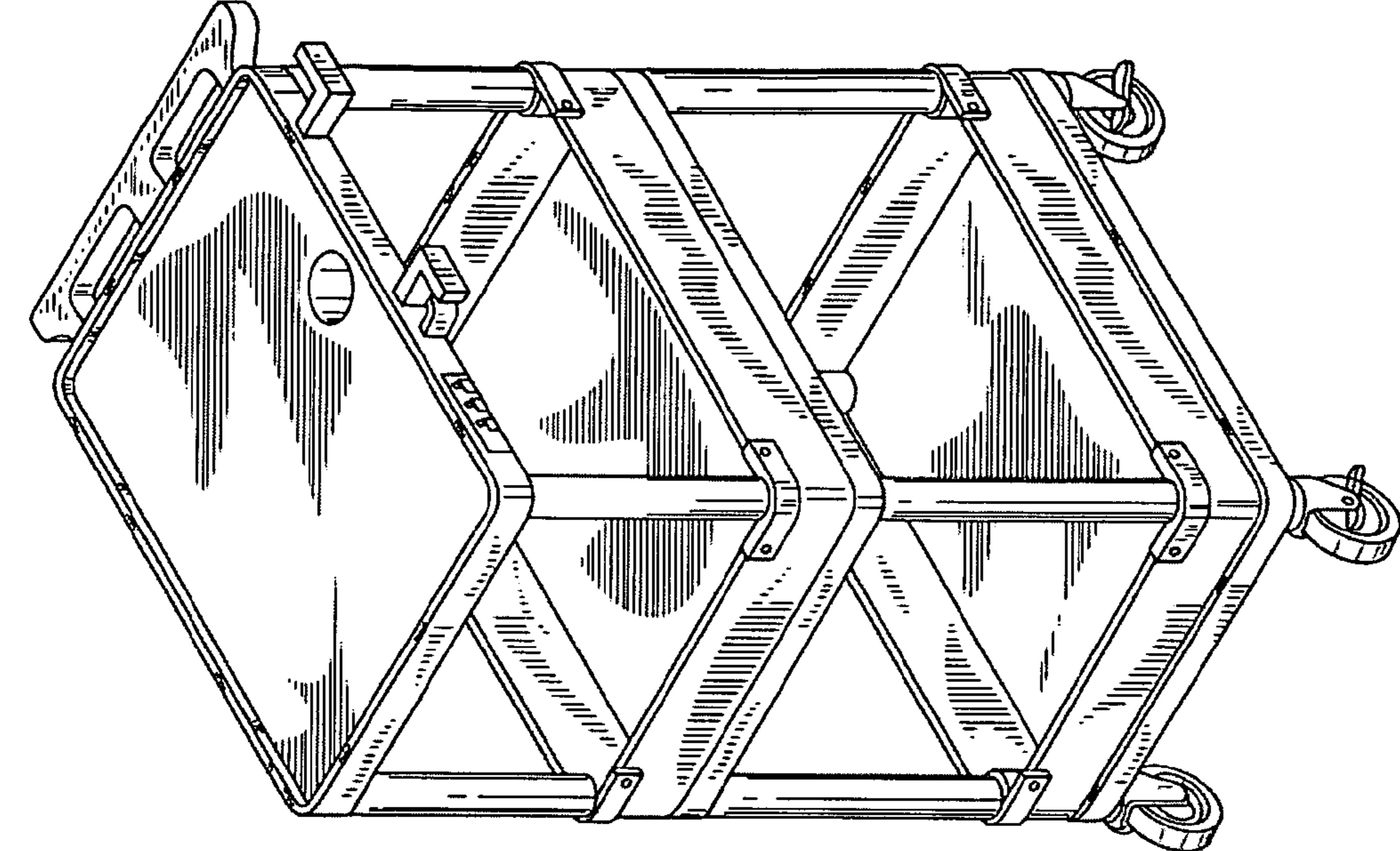


FIG. 17

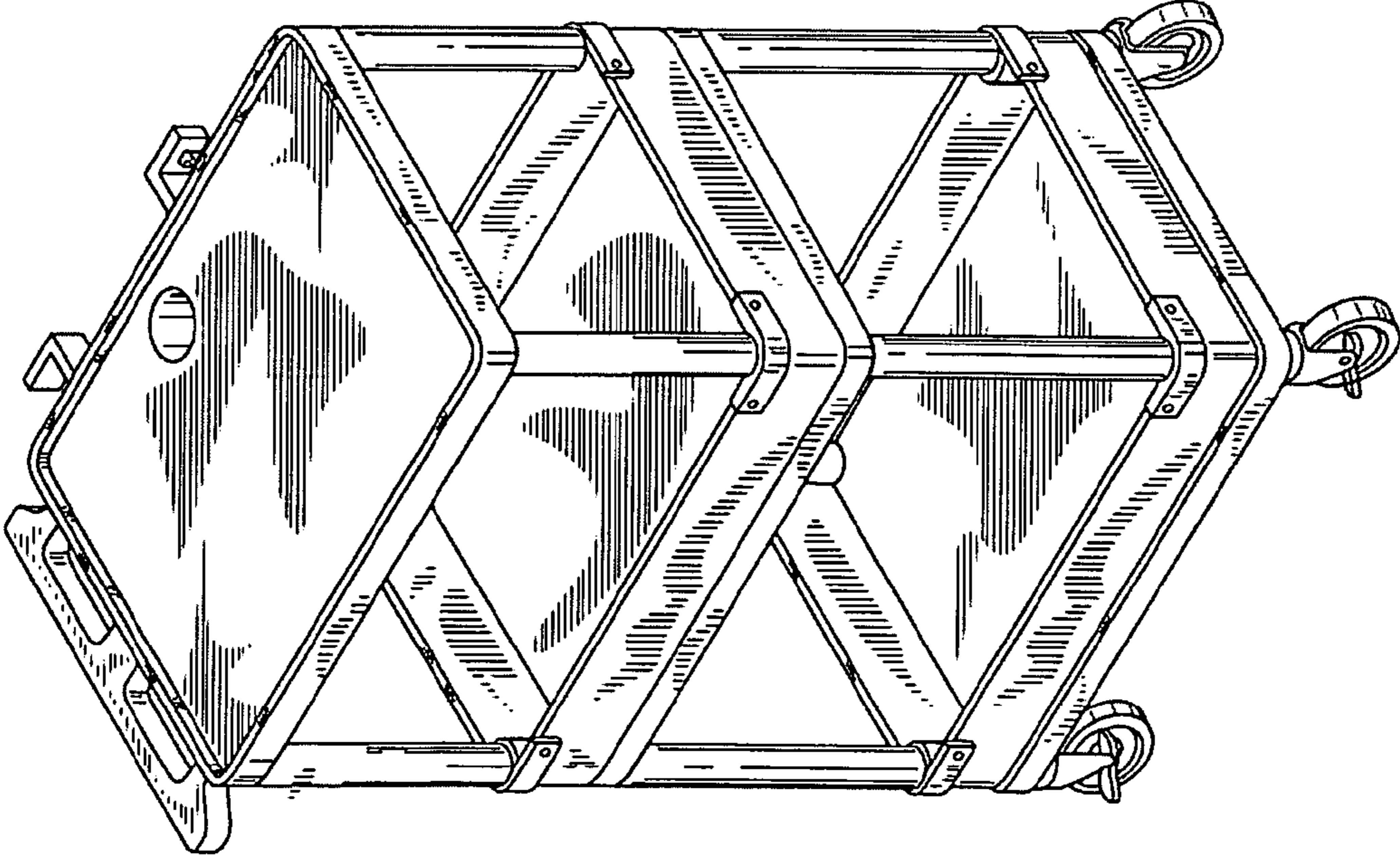


FIG. 16

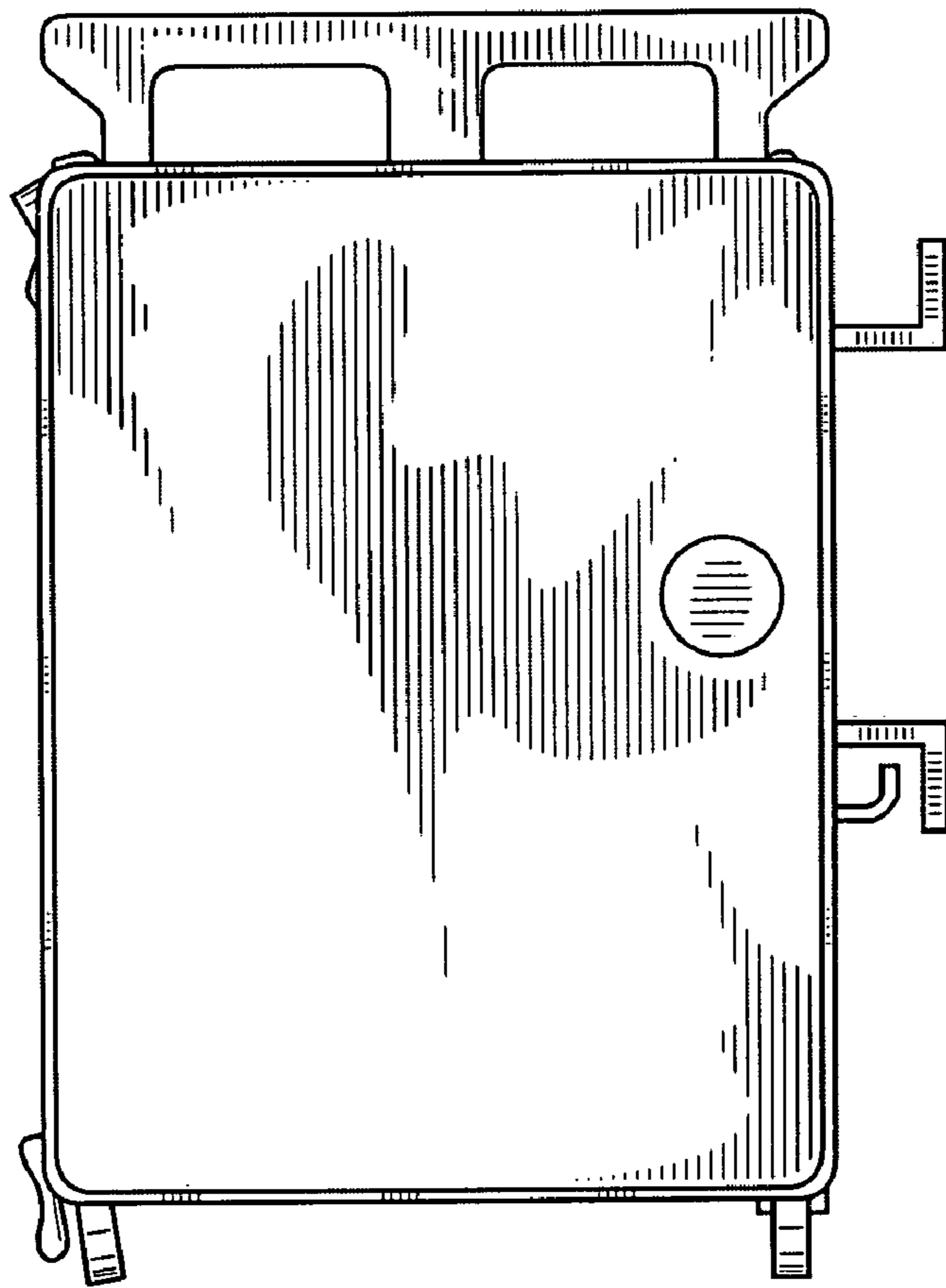


FIG. 18

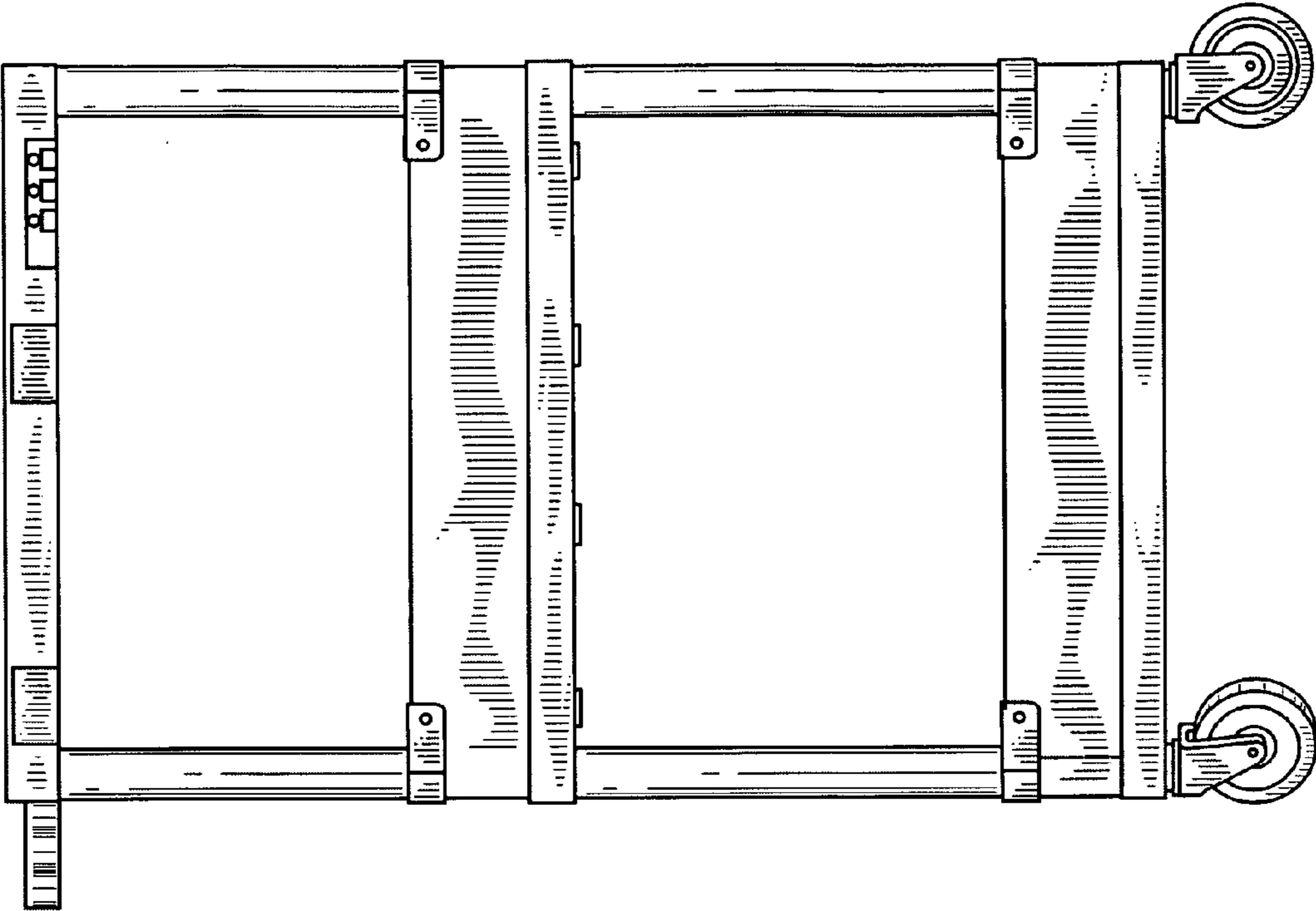


FIG. 20

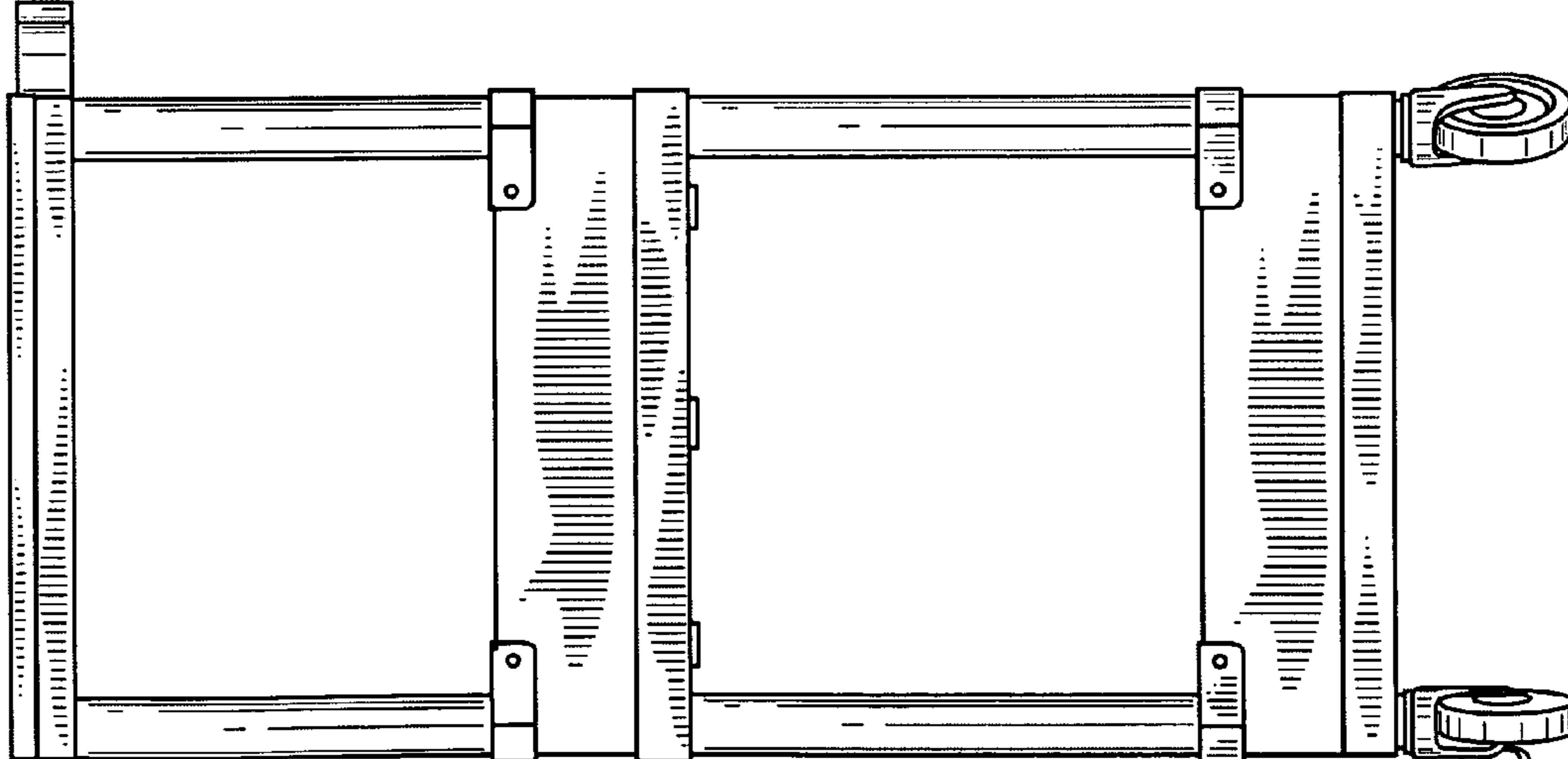


FIG. 19