



US00D610319S

(12) **United States Design Patent**
Fujiwara

(10) **Patent No.:** **US D610,319 S**

(45) **Date of Patent:** **** Feb. 16, 2010**

(54) **OPTICAL CONNECTOR CLEANER**

(75) Inventor: **Kunihiko Fujiwara**, Sakura (JP)

(73) Assignee: **Fujikura Ltd.**, Tokyo (JP)

(**) Term: **14 Years**

(21) Appl. No.: **29/300,367**

(22) Filed: **Mar. 19, 2008**

(51) **LOC (9) Cl.** **08-99**

(52) **U.S. Cl.** **D32/35**

(58) **Field of Classification Search** D32/35,
D32/40, 45, 52; D4/146, 114, 121, 127,
D4/130, 132-133, 136, 138; 15/105.52,
15/107, 114, 118, 237, 142, 104.92, 21.1,
15/320-321, 323; 401/146, 6, 268, 118,
401/123, 131; 369/71, 72; 134/6, 9

See application file for complete search history.

(56) **References Cited**

U.S. PATENT DOCUMENTS

D304,543 S * 11/1989 Somers et al. D8/61
D308,622 S * 6/1990 Fushiya et al. D8/61
D308,809 S * 6/1990 Kawabata D8/61
D511,871 S * 11/2005 Kida D32/35
D525,401 S * 7/2006 Kida D32/35
D529,675 S * 10/2006 Kida D32/35
7,212,719 B2 * 5/2007 Fujiwara et al. 385/134
2002/0131748 A1 9/2002 Sato

FOREIGN PATENT DOCUMENTS

JP 2002-277681 9/2002

* cited by examiner

Primary Examiner—Cathron C Brooks

Assistant Examiner—Austin Murphy

(74) *Attorney, Agent, or Firm*—Nixon & Vanderhye P.C.

(57) **CLAIM**

The ornamental design for an optical connector cleaner, as shown and described.

DESCRIPTION

FIG. 1 is a perspective view of an optical connector cleaner.

FIG. 2 is a front elevation view thereof.

FIG. 3 is a rear elevation view thereof.

FIG. 4 is a top plan view thereof.

FIG. 5 is a bottom plan view thereof.

FIG. 6 is a left side elevation view thereof.

FIG. 7 is a right side elevation view thereof.

FIG. 8 is perspective view thereof, with the part for insertion shown extended for completeness of illustration;

FIG. 9 is a left side elevation view thereof; with the tip cover shown open for completeness of illustration;

FIG. 10 is a front elevation view thereof, with the tip cover shown open for completeness of illustration; and,

FIG. 11 is a perspective view thereof, with the cap removed for completeness of illustration.

The portion of the article shown in broken lines is for illustrative purpose only and forms no part of the claimed design.

1 Claim, 8 Drawing Sheets

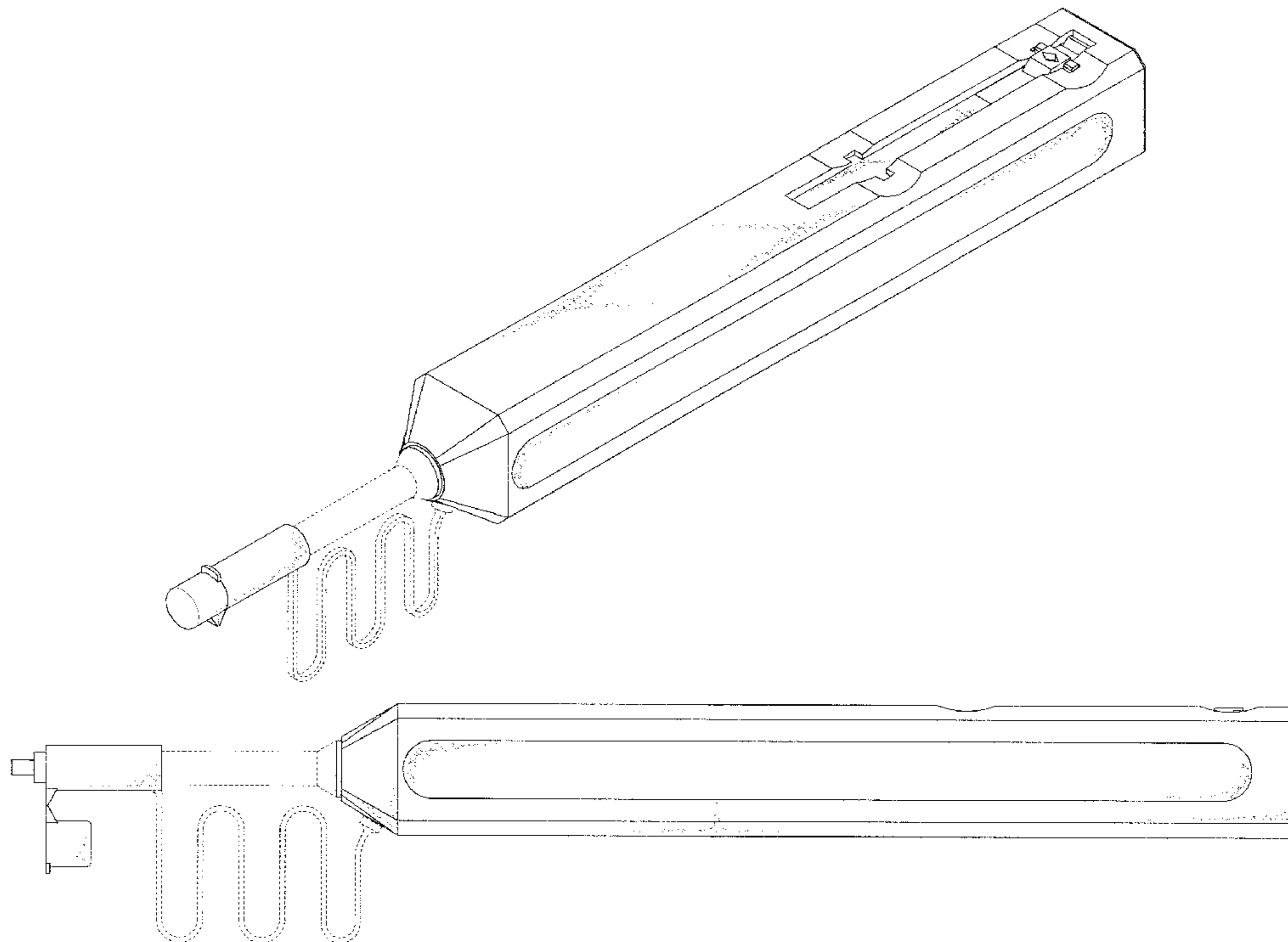


FIG. 1

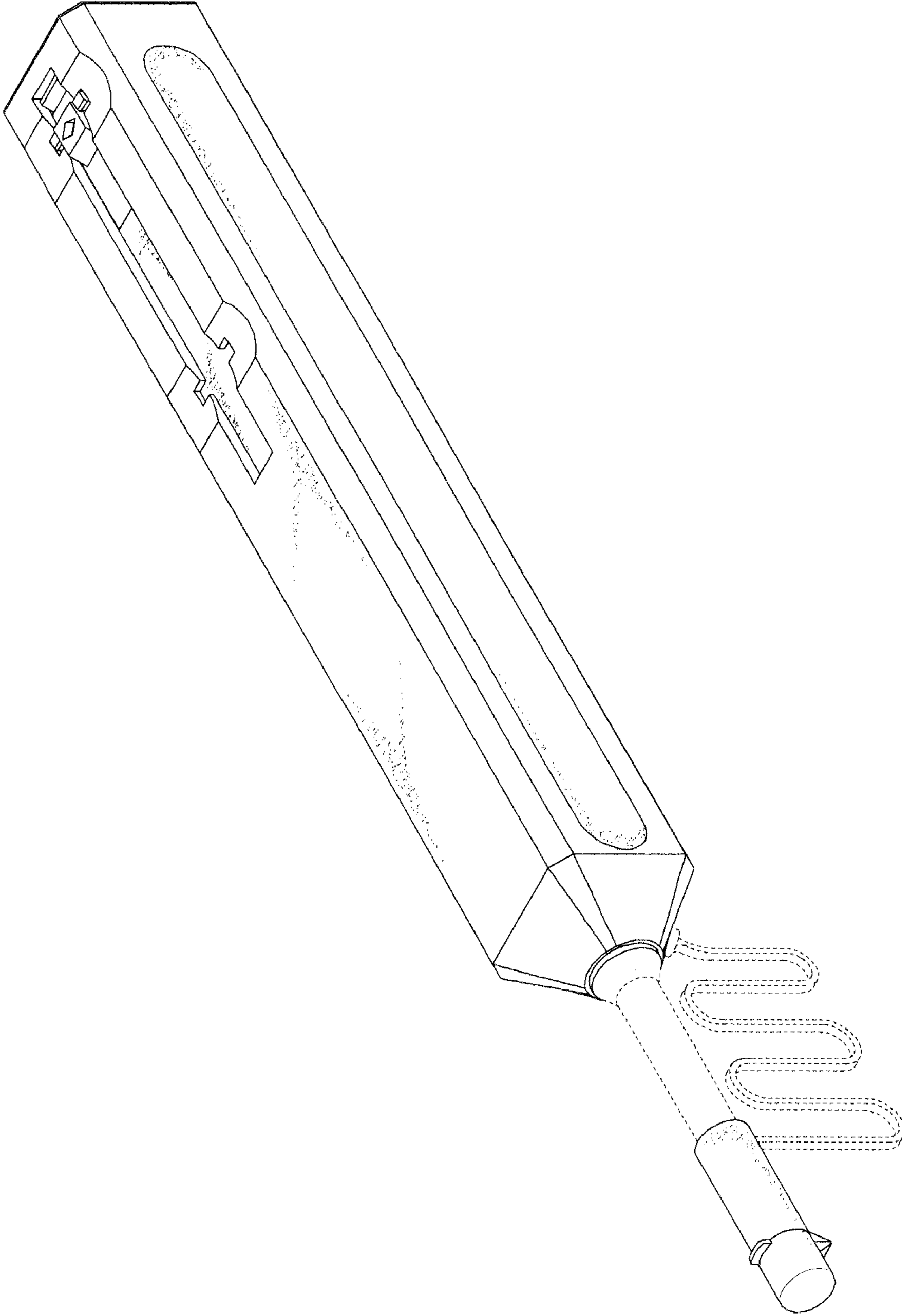


FIG. 2

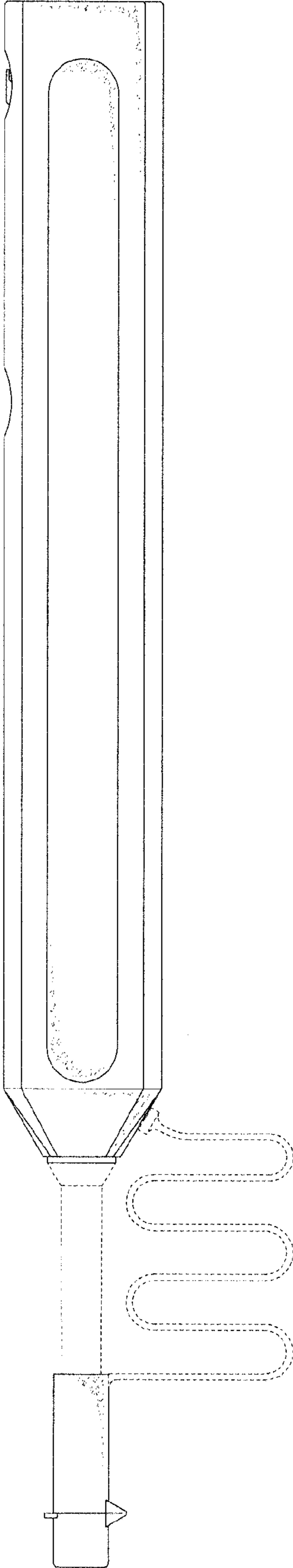


FIG. 3

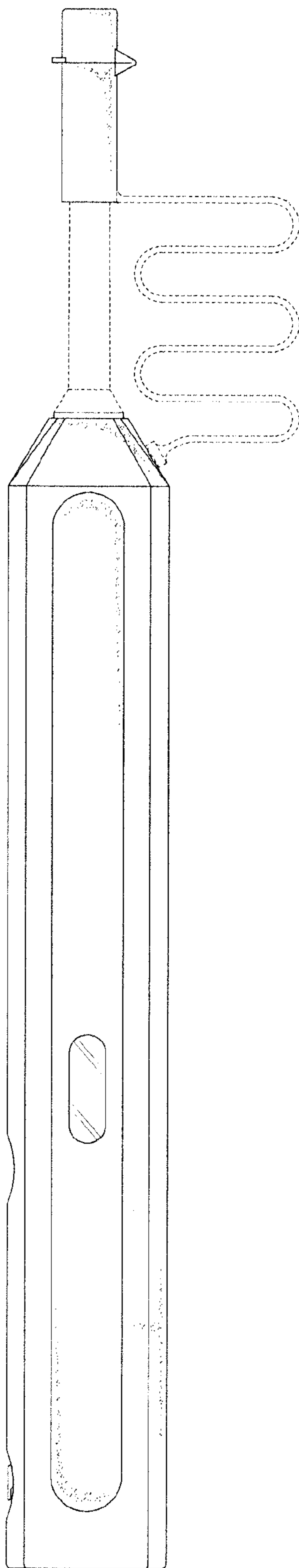


FIG. 4

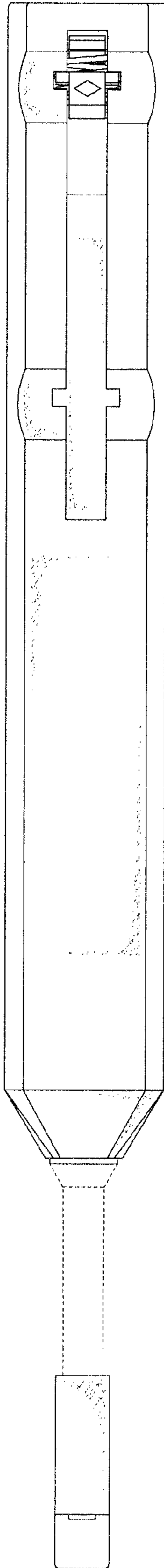


FIG. 5

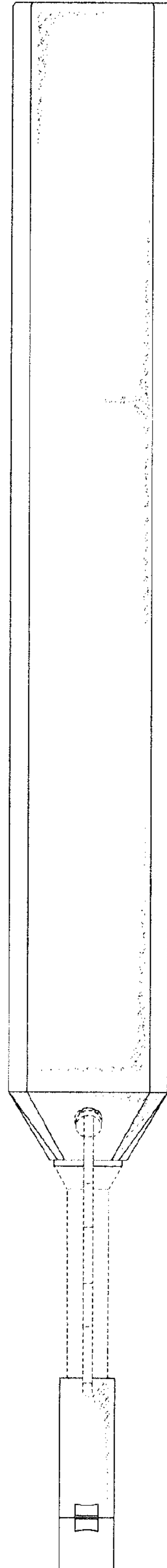


FIG. 7

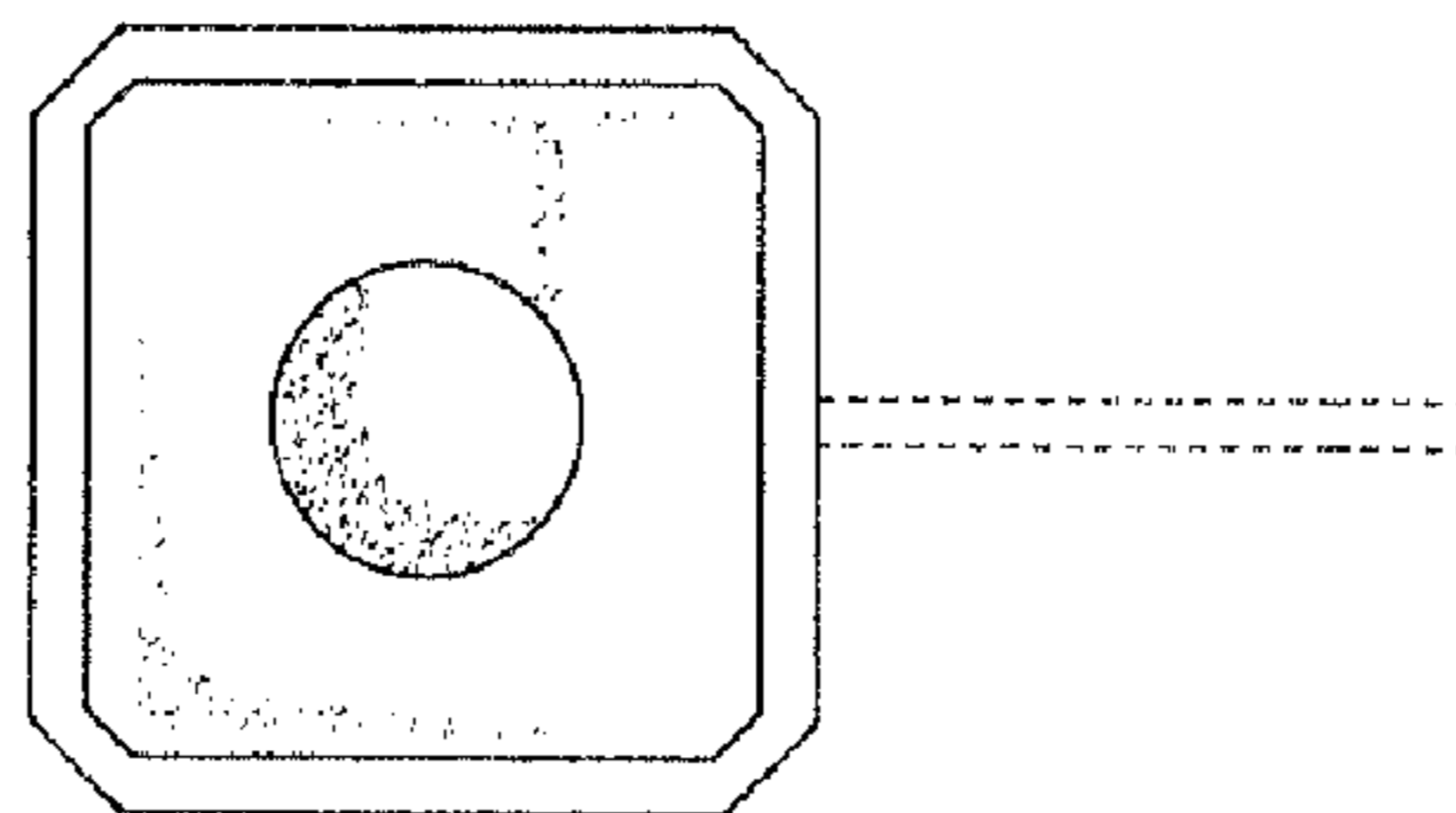


FIG. 6

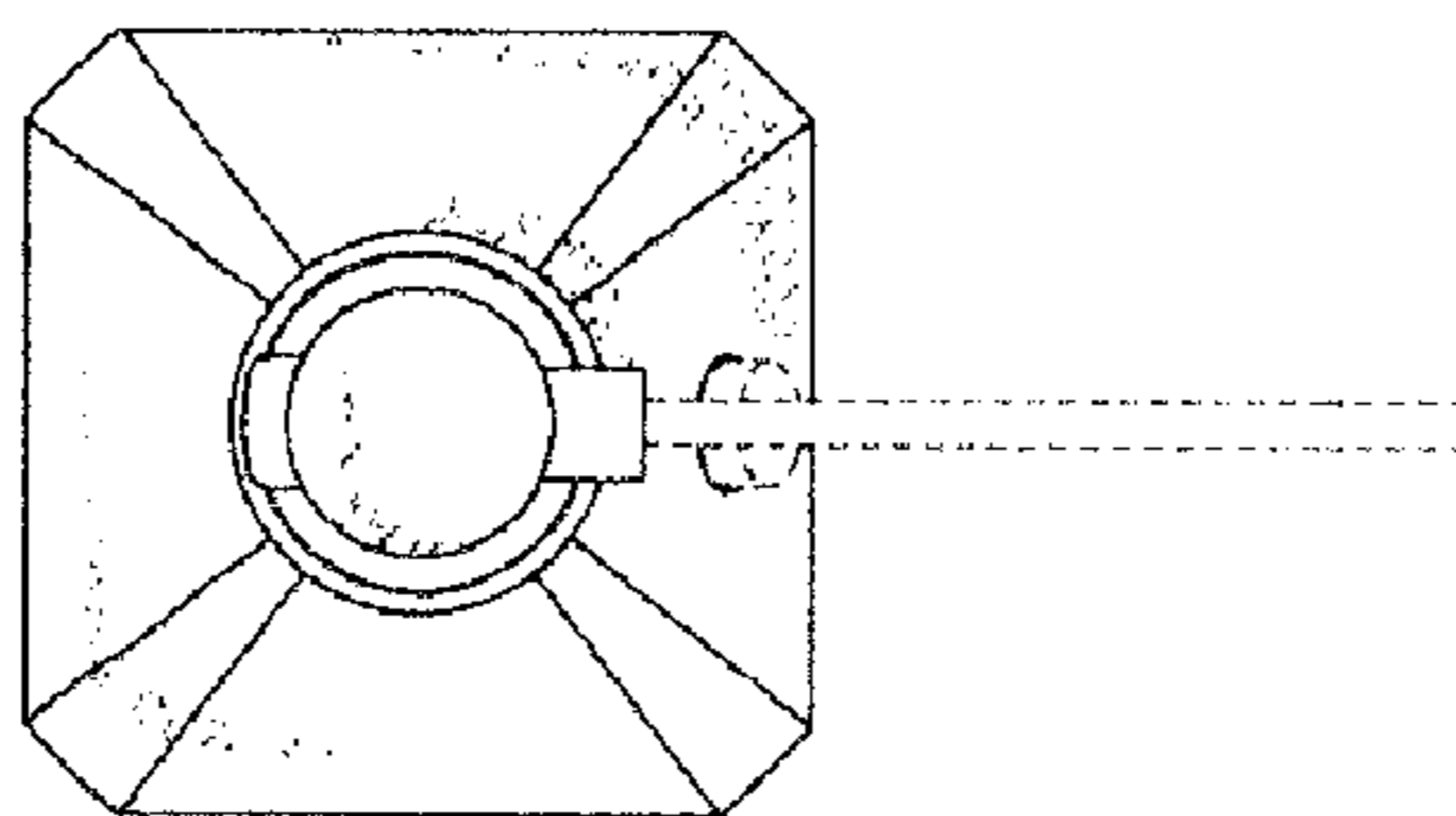


FIG. 8

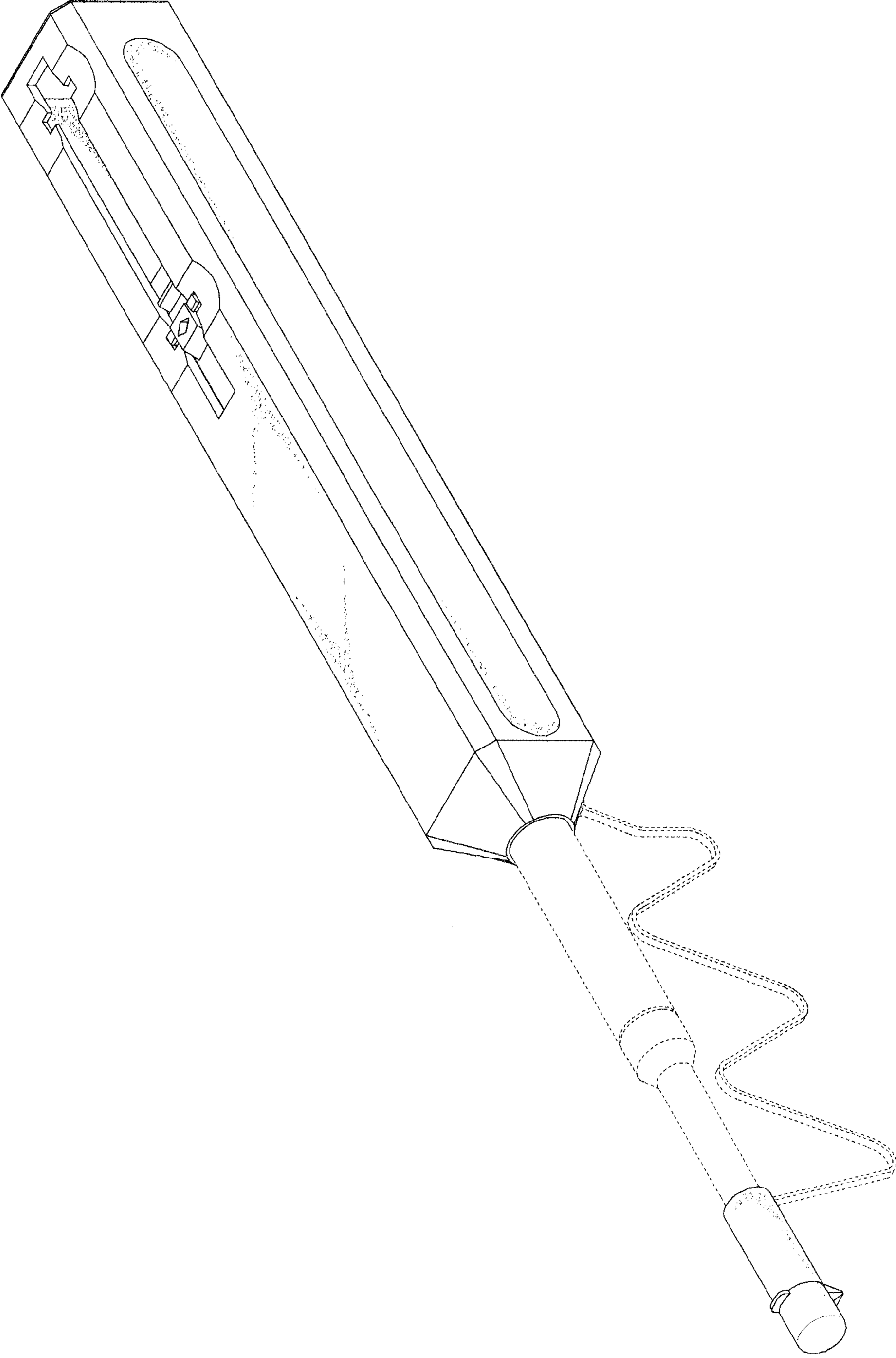


FIG. 9

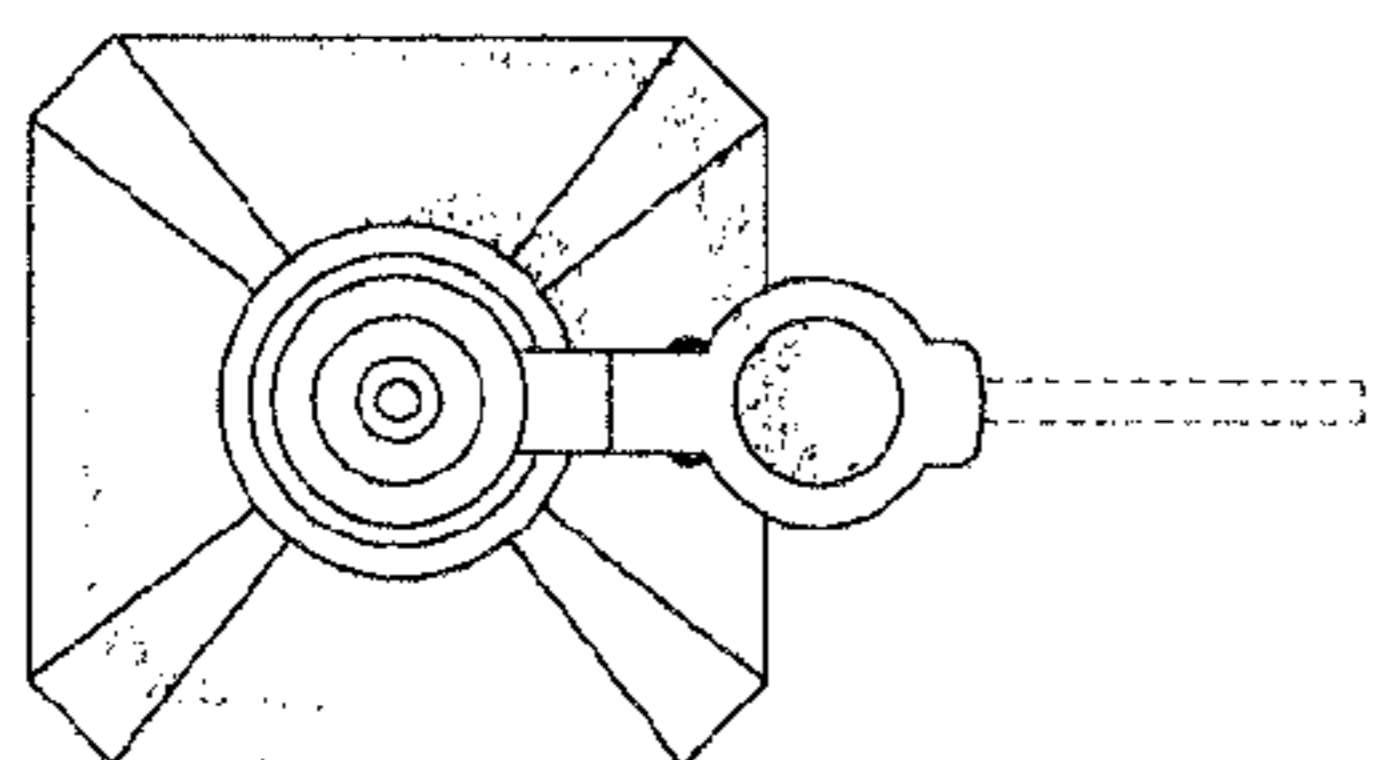


FIG. 10

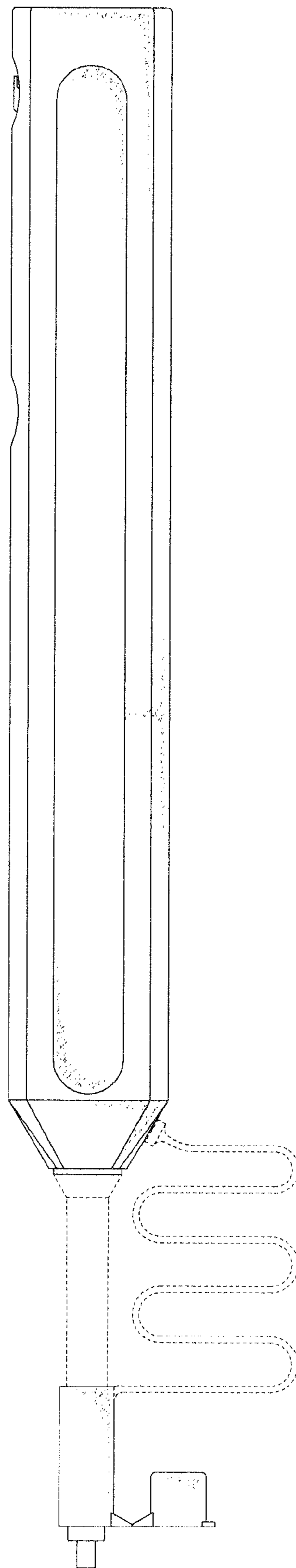


FIG. 11

