



US00D610318S

(12) **United States Design Patent**  
**Shin**

(10) **Patent No.:** **US D610,318 S**

(45) **Date of Patent:** **\*\* Feb. 16, 2010**

(54) **VACUUM CLEANER**

(75) Inventor: **Ji Young Shin**, Seoul (KR)

(73) Assignee: **Samsung Electronics Co., Ltd.**, Suwon (KR)

(\*\*) Term: **14 Years**

(21) Appl. No.: **29/331,732**

(22) Filed: **Jan. 30, 2009**

(51) **LOC (9) Cl.** ..... **15-05**

(52) **U.S. Cl.** ..... **D32/22**

(58) **Field of Classification Search** ..... D32/22,  
D32/30-31, 34; 15/320-321, 329, 350-354,  
15/362, 410, 411, 347; 55/366, 429, 315,  
55/356, 372, 337, DIG. 3, 345; 95/271  
See application file for complete search history.

(56) **References Cited**

U.S. PATENT DOCUMENTS

D455,530 S *	4/2002	Fujii	.....	D32/22
D462,813 S *	9/2002	Nakano et al.	.....	D32/22
6,735,818 B2 *	5/2004	Hamada et al.	.....	15/410
D494,720 S *	8/2004	Rosenzweig et al.	.....	D32/31
D510,465 S *	10/2005	Takahashi et al.	.....	D32/22
D516,760 S *	3/2006	Choi	.....	D32/22

D535,070 S *	1/2007	Shin	.....	D32/22
D587,869 S *	3/2009	Chun et al.	.....	D32/22
D587,870 S *	3/2009	Baek et al.	.....	D32/22
D588,760 S *	3/2009	Chun et al.	.....	D32/22
2004/0025284 A1 *	2/2004	Courtney et al.	.....	15/320
2008/0282497 A1 *	11/2008	Griffith et al.	.....	15/352
2009/0178233 A1 *	7/2009	Yoo	.....	15/350

\* cited by examiner

*Primary Examiner*—Ruth McInroy

(74) *Attorney, Agent, or Firm*—Ladas and Parry LLP

(57) **CLAIM**

I claim the ornamental design for a vacuum cleaner, as shown and described.

**DESCRIPTION**

FIG. 1 is a top, front and right-side perspective view of a vacuum cleaner showing my new design;

FIG. 2 is a front elevational view thereof;

FIG. 3 is a rear elevational view thereof;

FIG. 4 is a left side elevational view thereof;

FIG. 5 is a right side elevational view thereof;

FIG. 6 is a top plan view thereof; and,

FIG. 7 is a bottom plan view thereof.

**1 Claim, 6 Drawing Sheets**

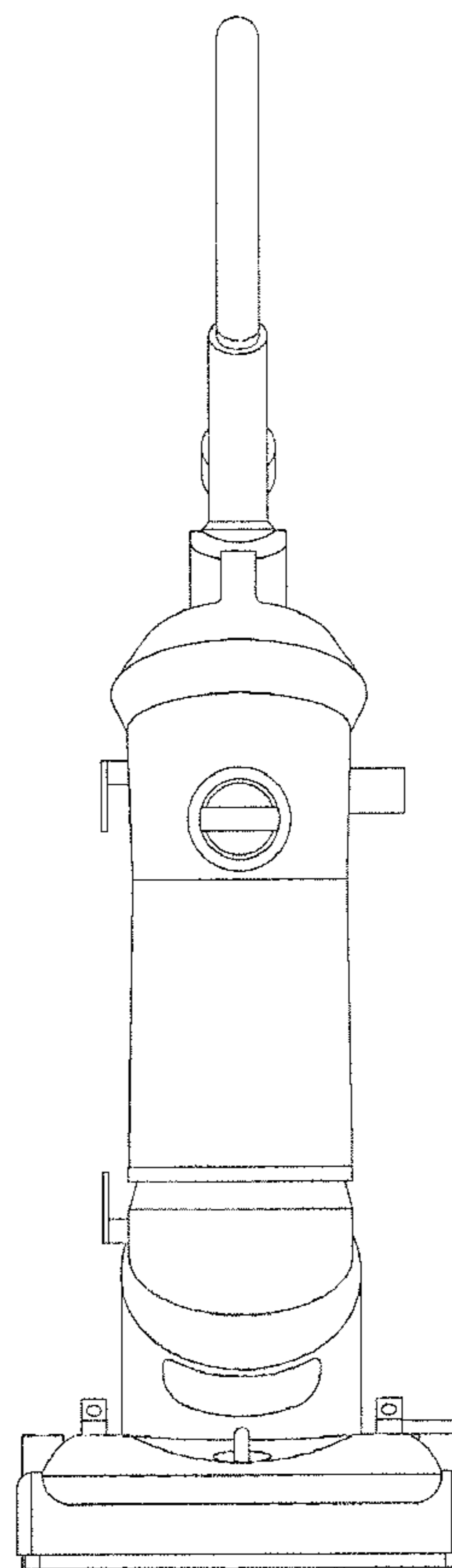
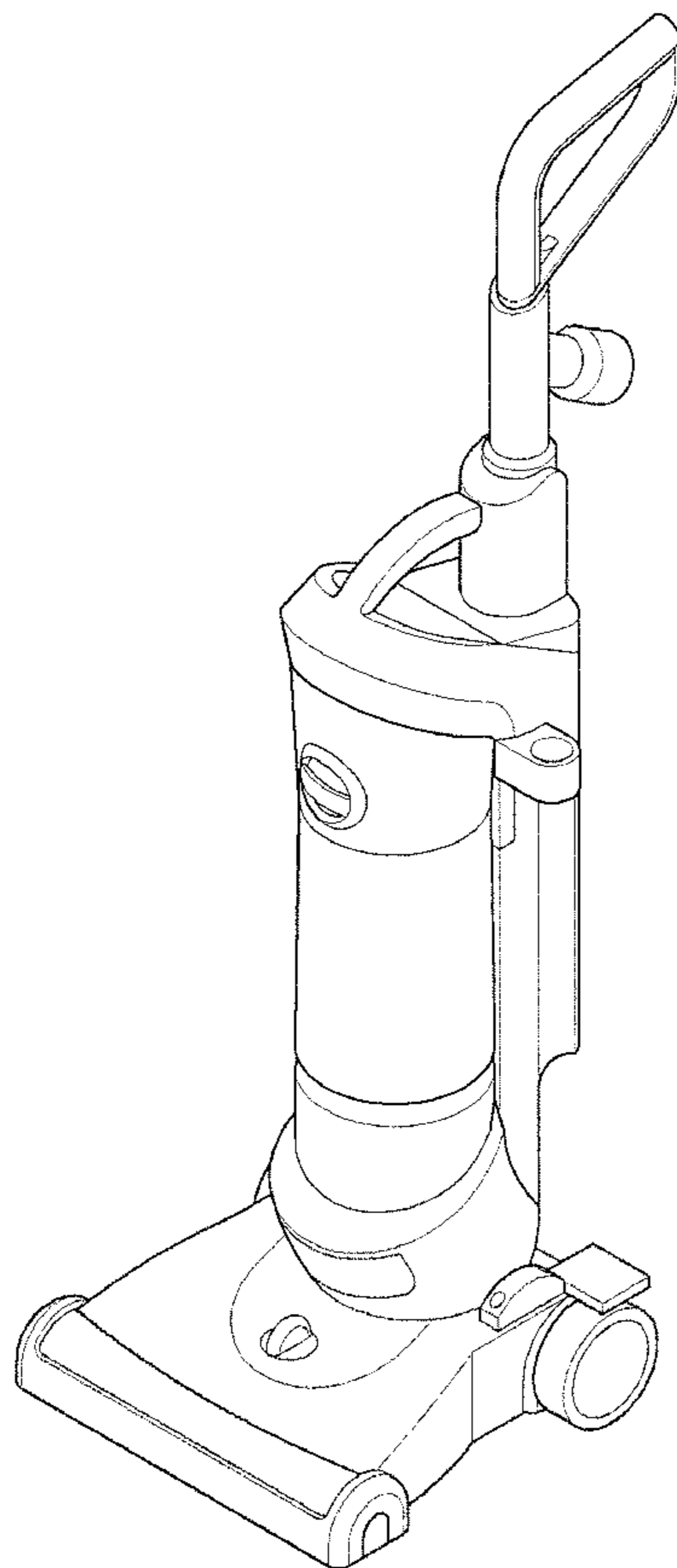
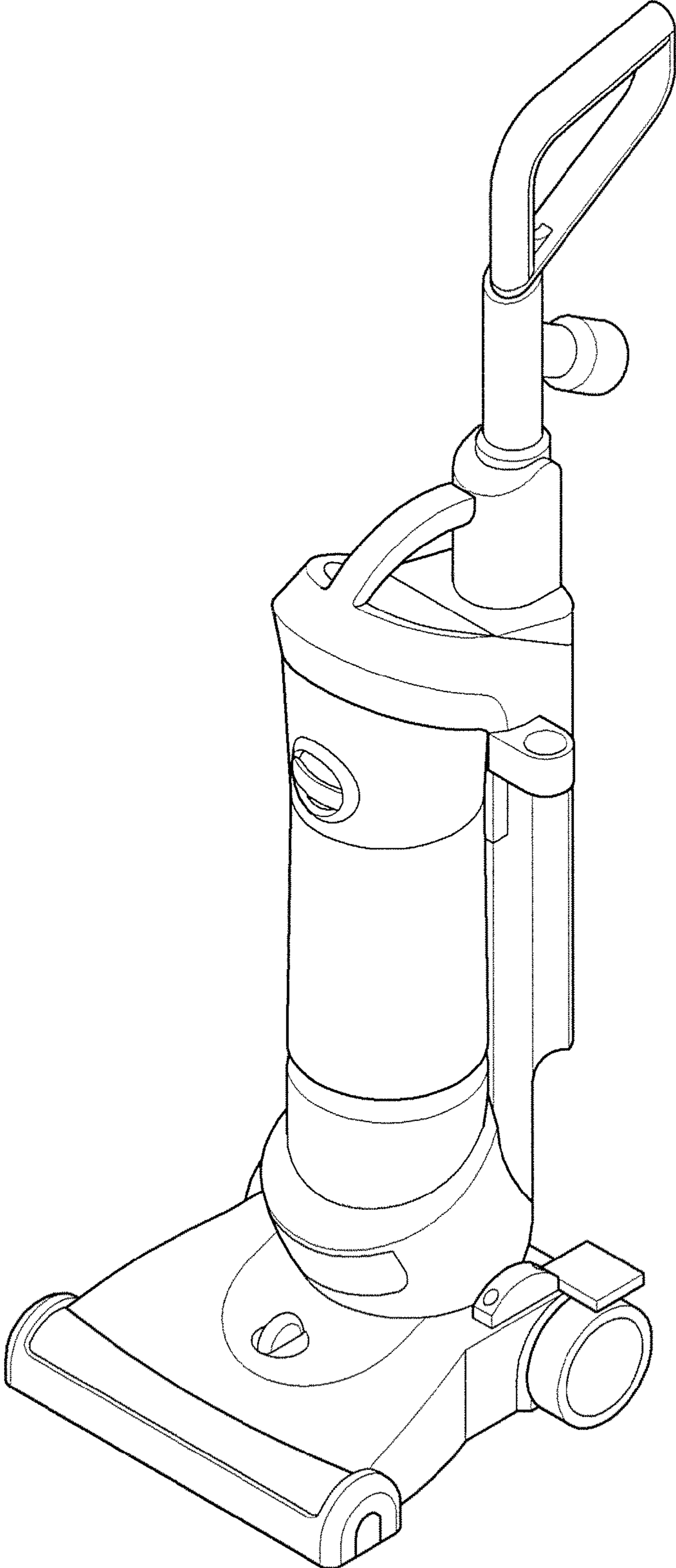
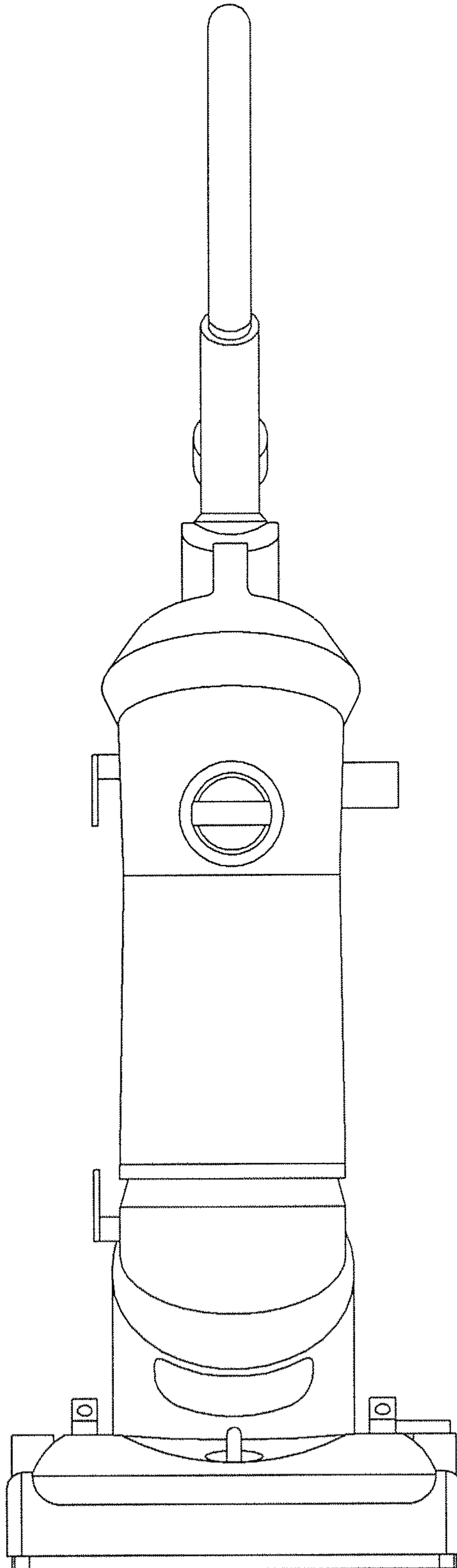


FIG. 1



**FIG. 2**



**FIG. 3**

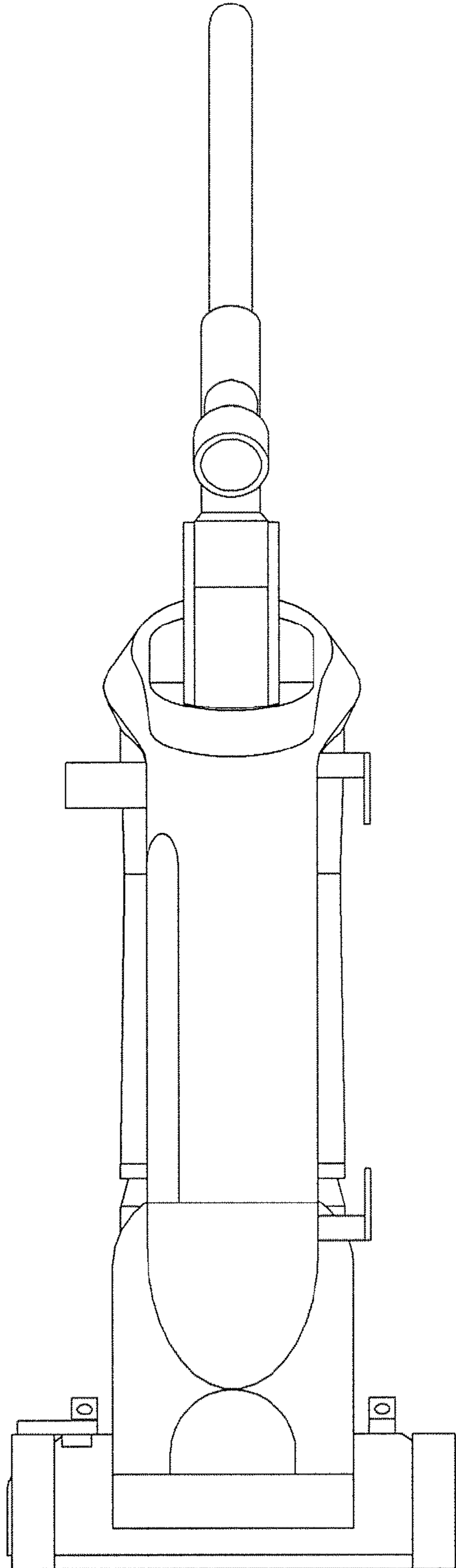


FIG. 4

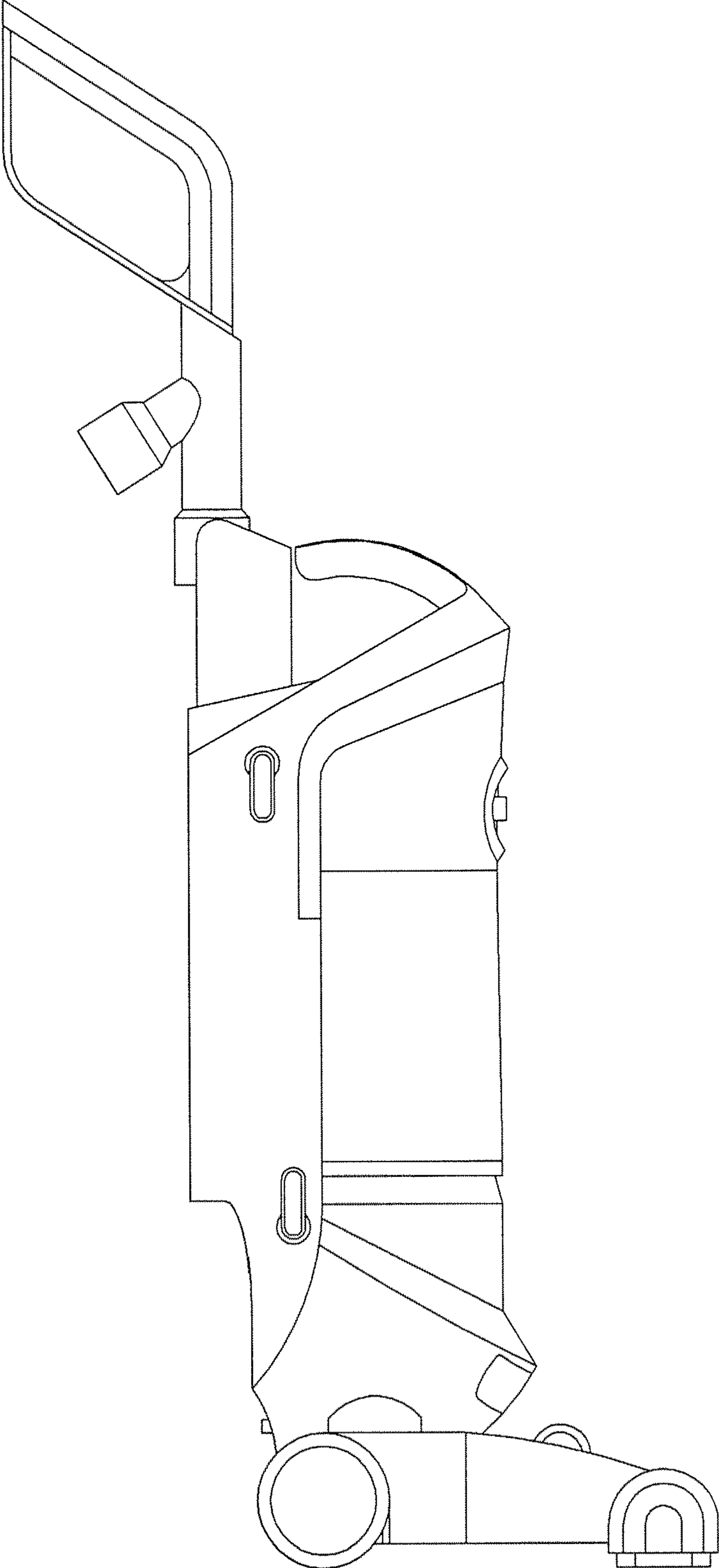
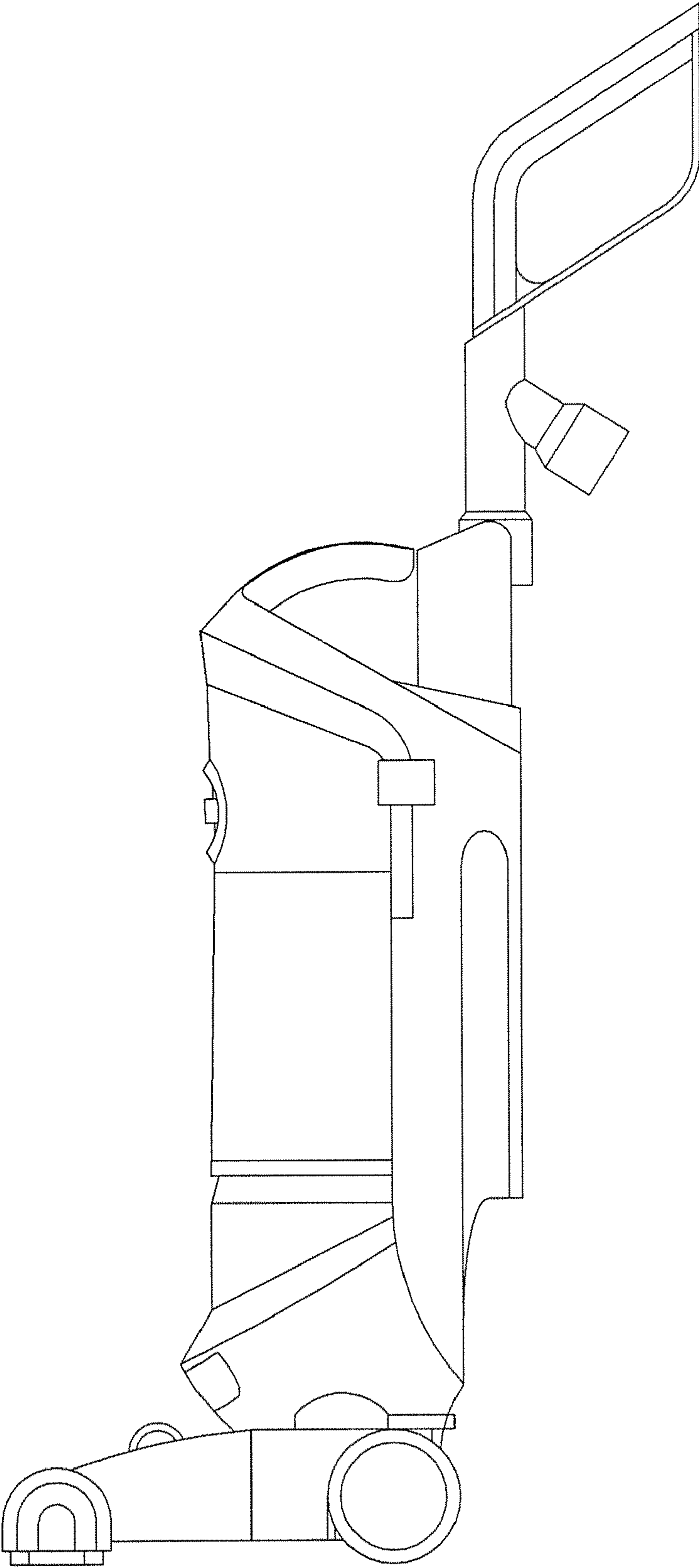
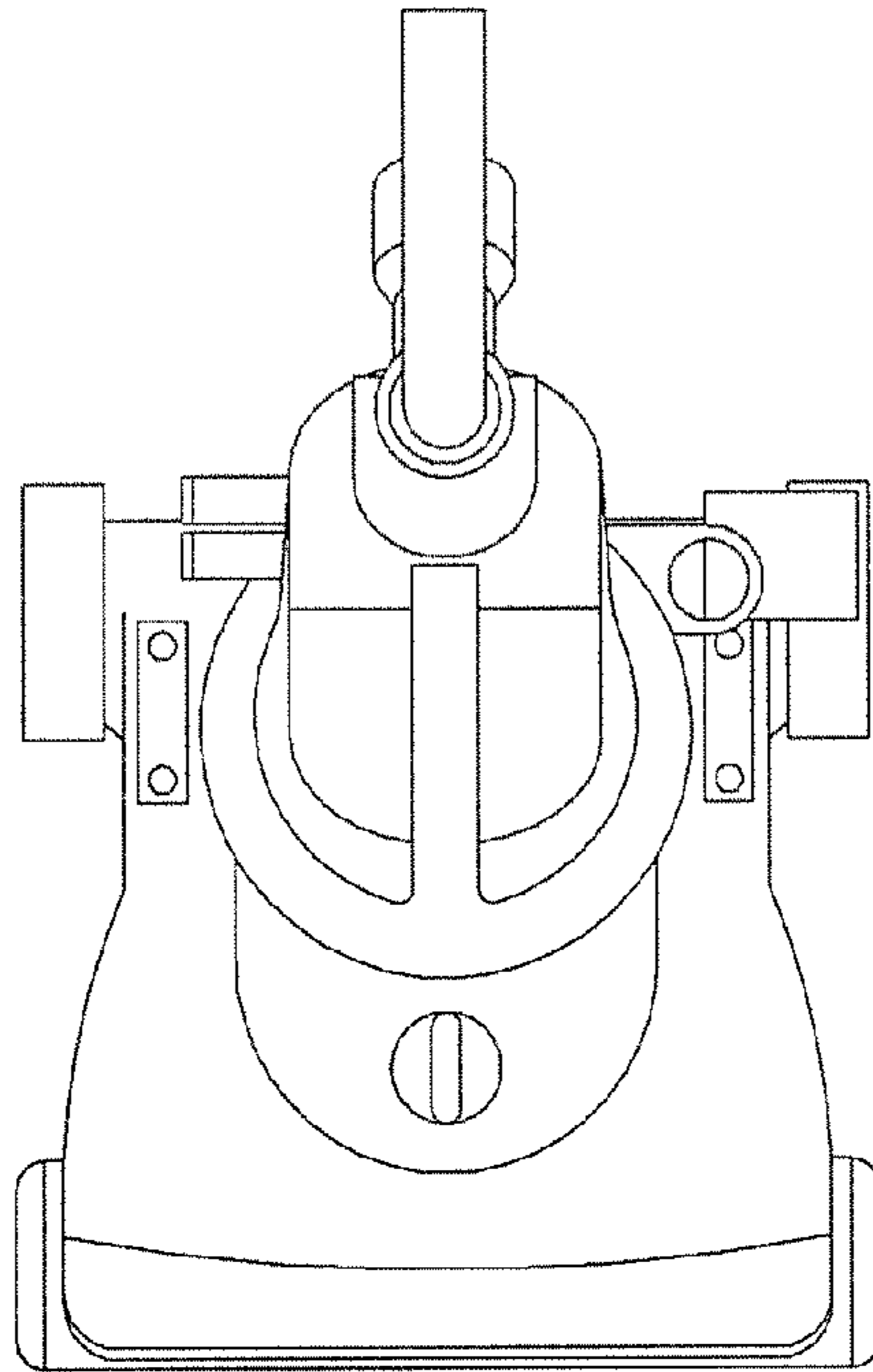


FIG. 5



**FIG. 6**



**FIG. 7**

