



US00D610317S

(12) **United States Design Patent**  
**Lee et al.**

(10) **Patent No.:** **US D610,317 S**  
(45) **Date of Patent:** **\*\* Feb. 16, 2010**

(54) **VACUUM CLEANER**

(75) Inventors: **Young Seok Lee**, Seoul (KR); **Dae Kyun Lee**, Seoul (KR); **Joo Youl Lee**, Seoul (KR); **Hyun Il Lee**, Seoul (KR)

(73) Assignee: **Samsung Electronics Co., Ltd.**, Suwong (KR)

(\*\*) Term: **14 Years**

(21) Appl. No.: **29/331,709**

(22) Filed: **Jan. 30, 2009**

(51) **LOC (9) Cl.** ..... **15-05**

(52) **U.S. Cl.** ..... **D32/22**

(58) **Field of Classification Search** ..... D32/22,  
D32/30-31, 34; 15/320-321, 329, 350-354,  
15/362, 410, 411, 347; 55/366, 429, 315,  
55/356, 372, 337, DIG. 3, 345; 95/271  
See application file for complete search history.

(56) **References Cited**

**U.S. PATENT DOCUMENTS**

D455,530 S \* 4/2002 Fujii ..... D32/22  
D462,813 S \* 9/2002 Nakano et al. .... D32/22  
6,735,818 B2 \* 5/2004 Hamada et al. .... 15/410

D510,465 S \* 10/2005 Takahashi et al. .... D32/22  
D535,070 S \* 1/2007 Shin ..... D32/22  
D587,870 S \* 3/2009 Baek et al. .... D32/22  
D588,760 S \* 3/2009 Chun et al. .... D32/22  
2004/0025284 A1 \* 2/2004 Courtney et al. .... 15/320  
2008/0282497 A1 \* 11/2008 Griffith et al. .... 15/352

\* cited by examiner

*Primary Examiner*—Ruth McInroy

(74) *Attorney, Agent, or Firm*—Ladas and Parry LLP

(57) **CLAIM**

We claim the ornamental design for a vacuum cleaner, as shown and described.

**DESCRIPTION**

FIG. 1 is a top, front and right-side perspective view of a vacuum cleaner showing our new design;

FIG. 2 is a front elevational view thereof;

FIG. 3 is a rear elevational view thereof;

FIG. 4 is a left-side elevational view thereof;

FIG. 5 is a right-side elevational view thereof;

FIG. 6 is a top plan view thereof; and,

FIG. 7 is a bottom plan view thereof.

**1 Claim, 6 Drawing Sheets**

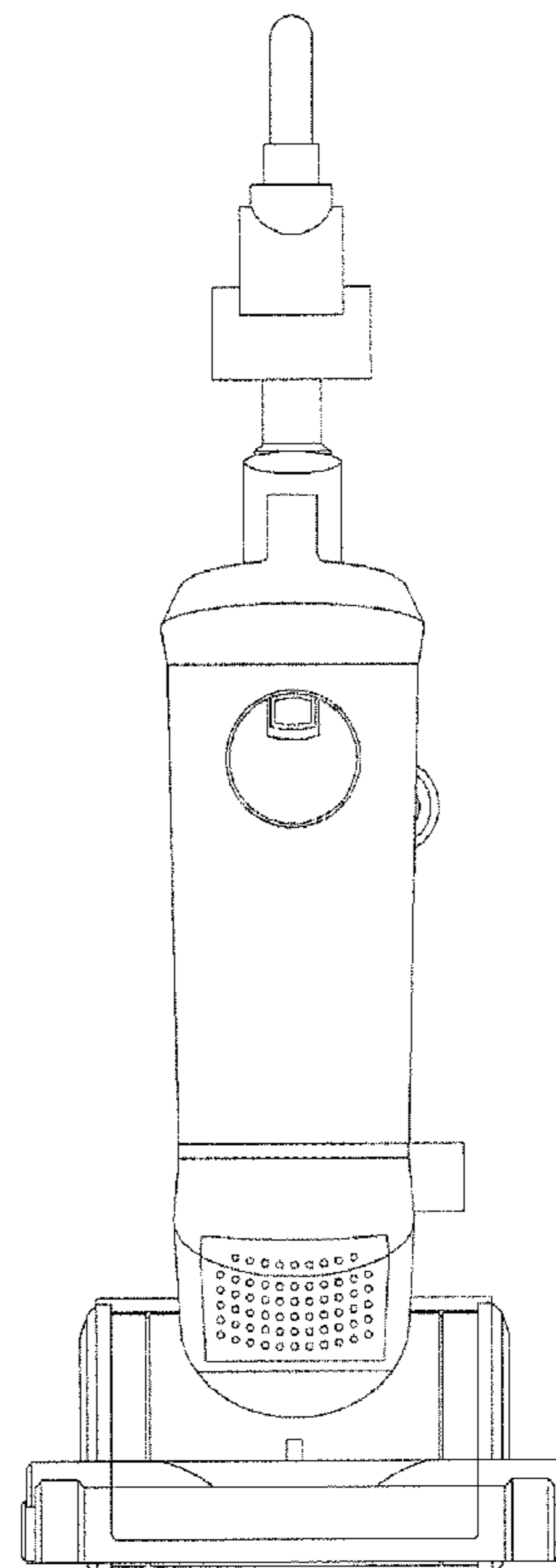
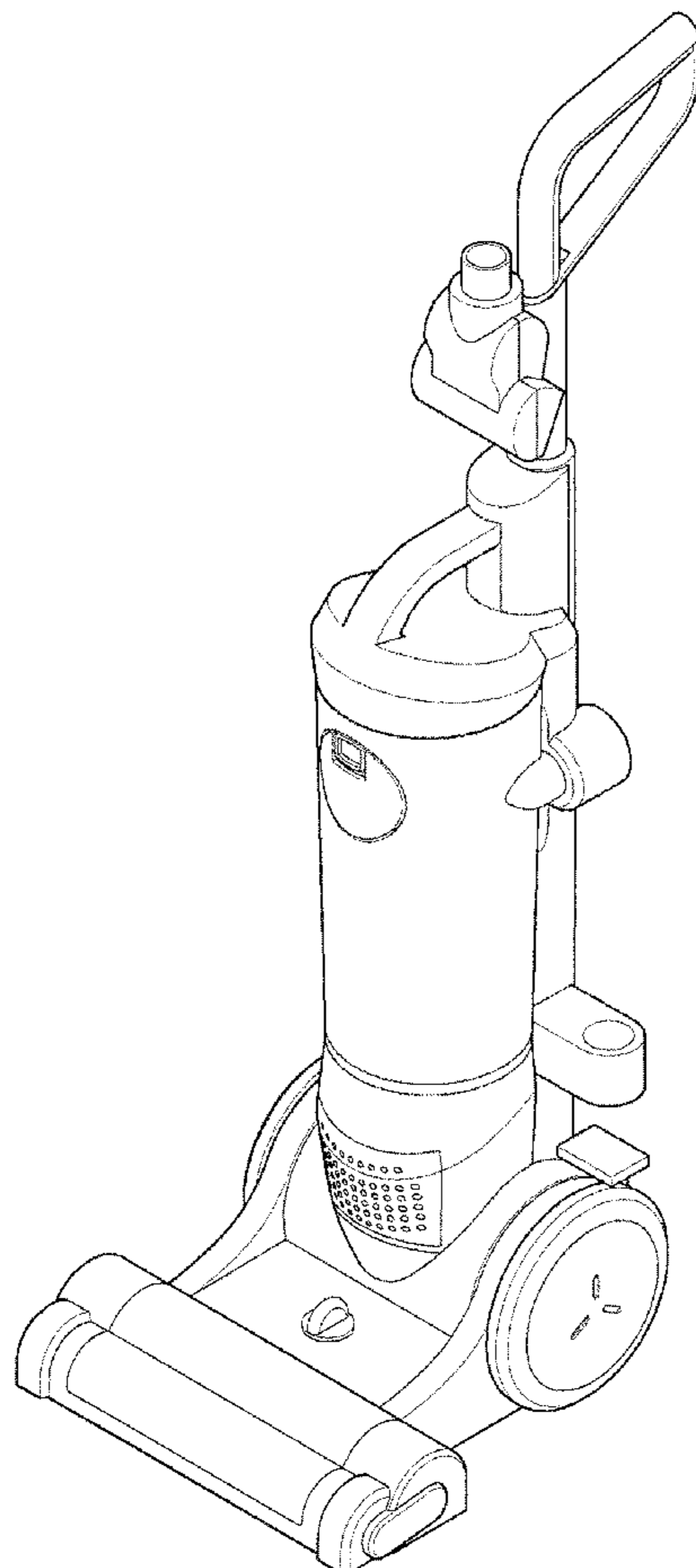


FIG. 1

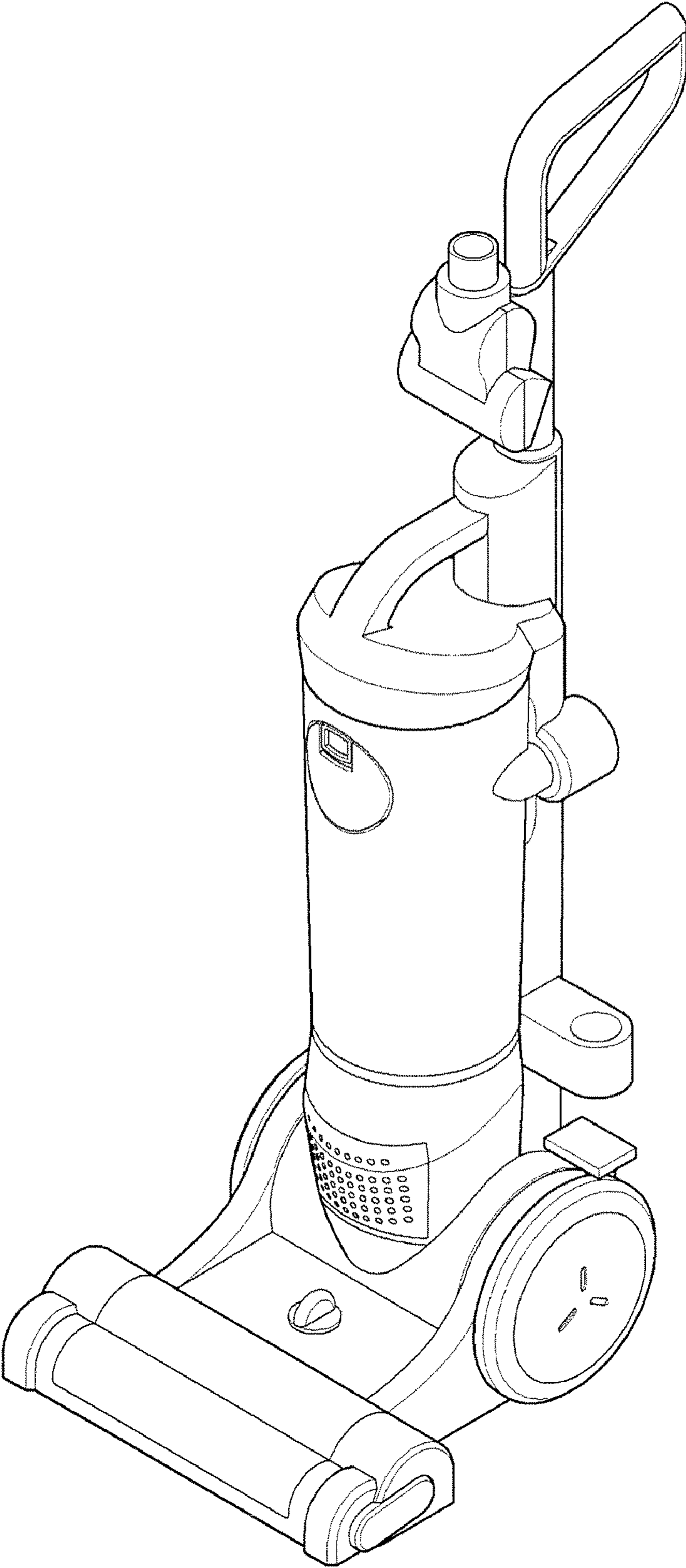


FIG. 2

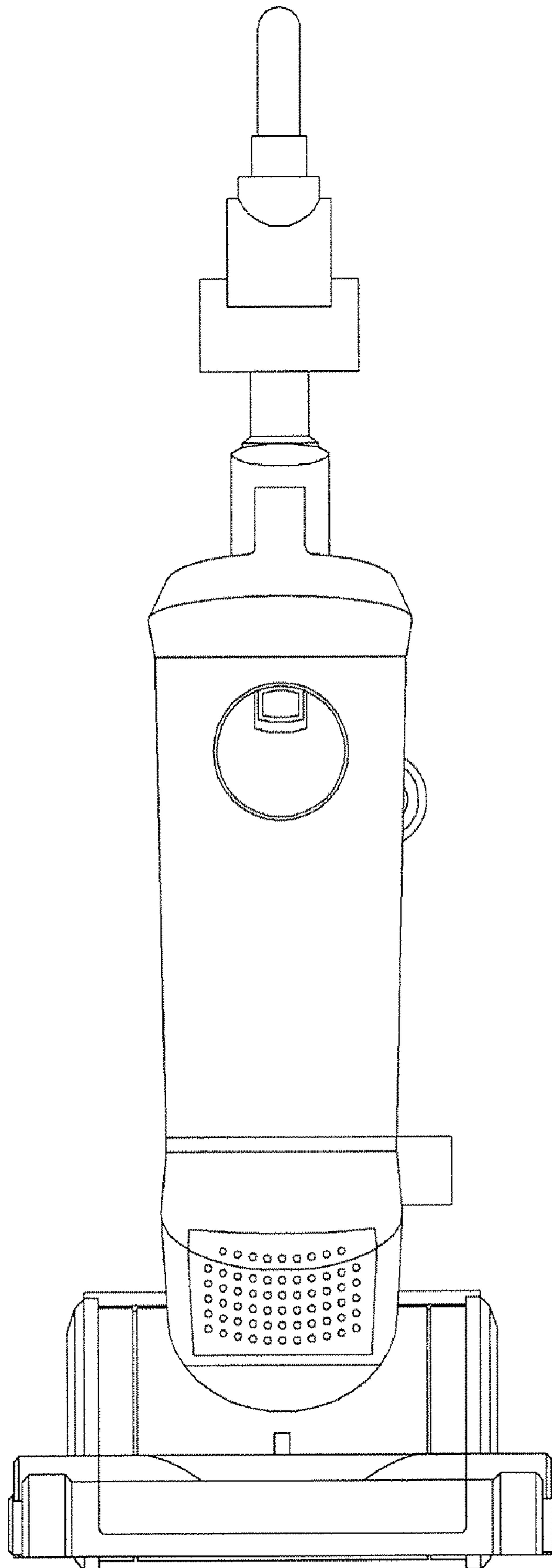


FIG. 3

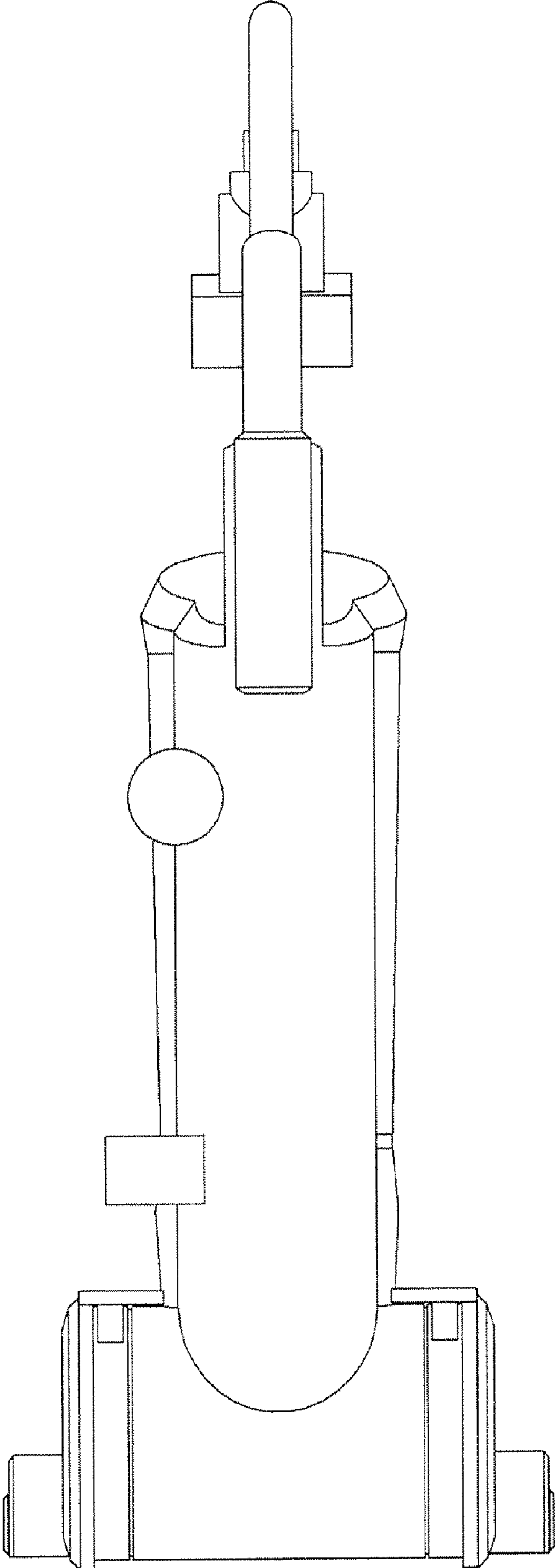


FIG. 4

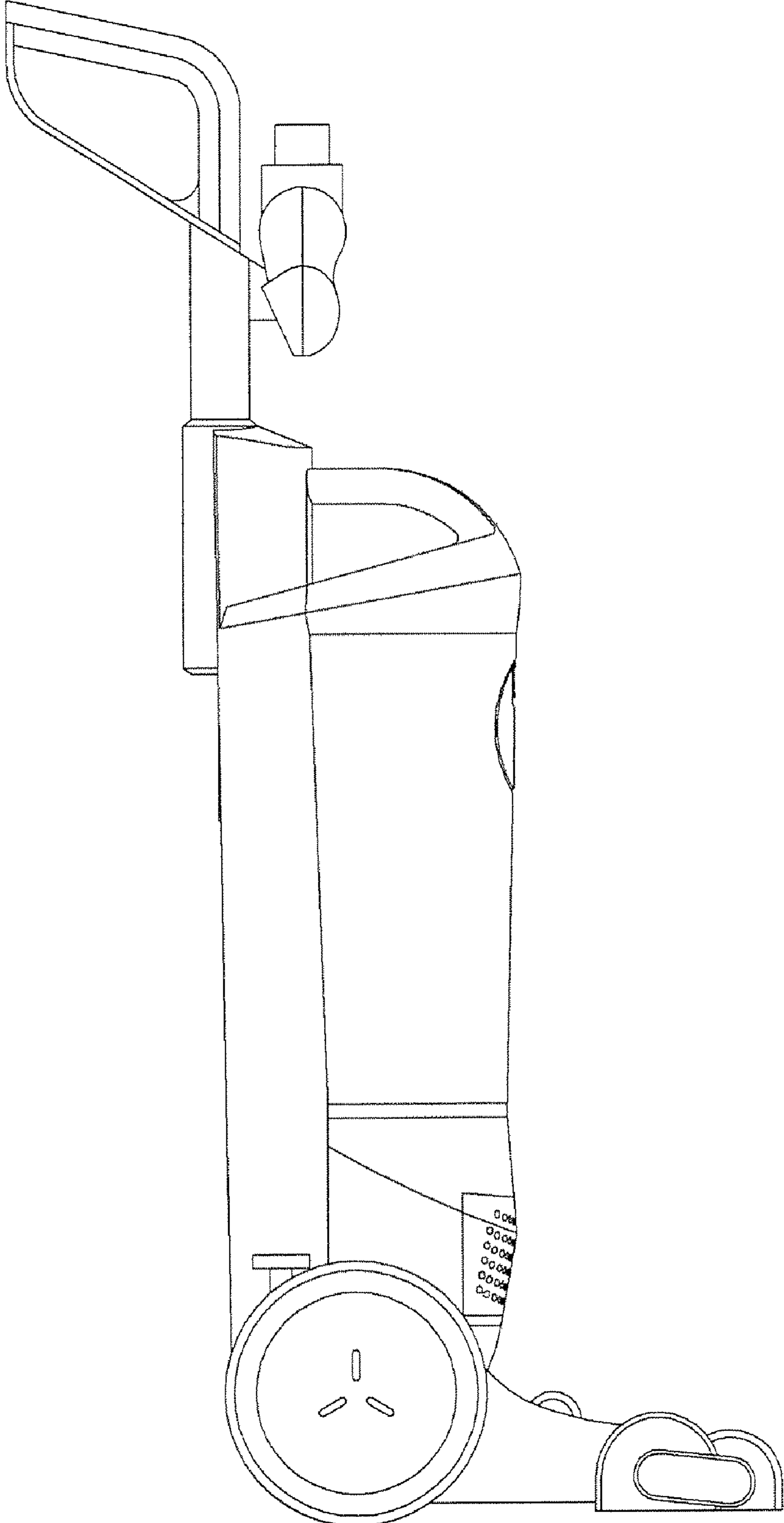


FIG. 5

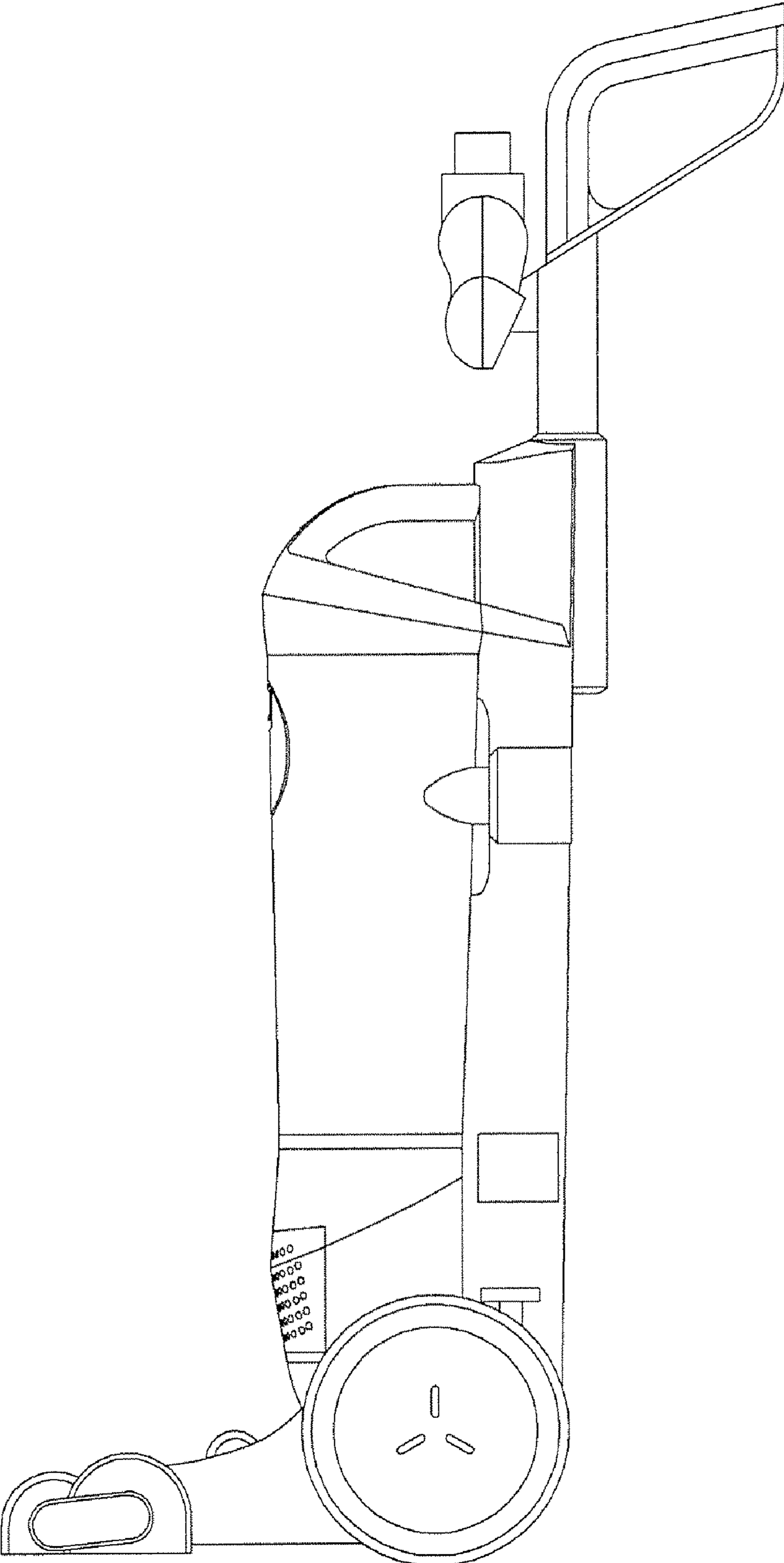


FIG. 6

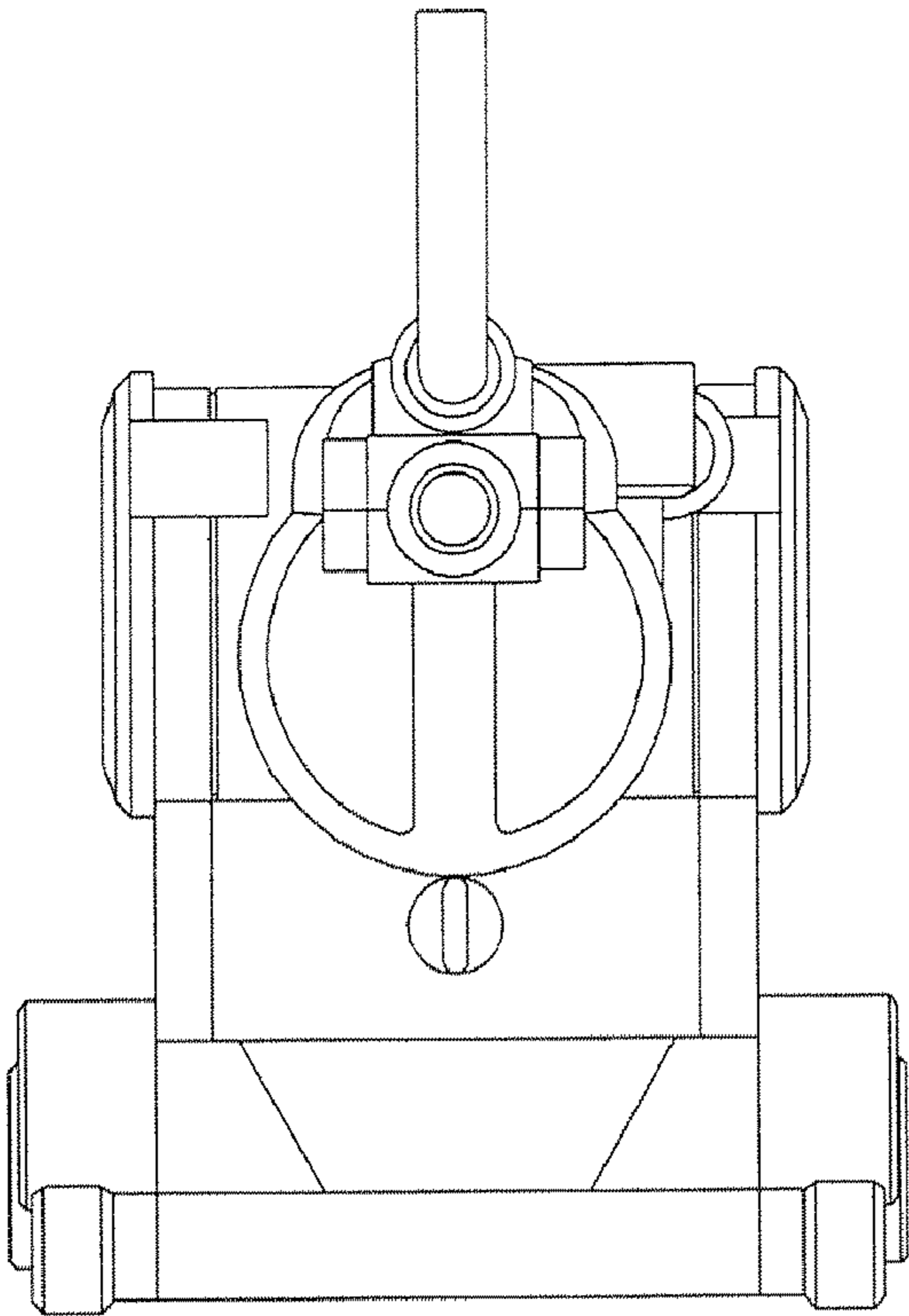


FIG. 7

