



US00D610316S

(12) **United States Design Patent**
Handal

(10) **Patent No.:** **US D610,316 S**

(45) **Date of Patent:** **** Feb. 16, 2010**

(54) **BIRD SCOOTER**

(76) Inventor: **Patricia M. Handal**, P.O. Box 551406,
South Lake Tahoe, CA (US) 96155

(**) Term: **14 Years**

(21) Appl. No.: **29/326,860**

(22) Filed: **Oct. 26, 2008**

(51) **LOC (9) Cl.** **30-99**

(52) **U.S. Cl.** **D30/160; D21/423**

(58) **Field of Classification Search** D30/110,
D30/111, 124-128, 160, 199; 119/57.8-57.9,
119/468, 531, 536-537, 706-708; D21/419,
D21/421, 423, 424, 426, 433, 435, 533, 538,
D21/760, 765, 771

See application file for complete search history.

(56) **References Cited**

U.S. PATENT DOCUMENTS

D266,100 S *	9/1982	Miller	D21/426
D273,963 S *	5/1984	Mayers	D21/423
D289,065 S *	3/1987	Schultz	D21/423
D295,428 S *	4/1988	Cummings	D21/423
D304,210 S *	10/1989	Fonte	D21/423

D313,633 S *	1/1991	Cummings	D21/423
D337,393 S *	7/1993	Weldy	D30/119
D478,194 S *	8/2003	McGinty	D30/160

* cited by examiner

Primary Examiner—Stella M Reid

Assistant Examiner—Rashida C McCoy

(74) *Attorney, Agent, or Firm*—Berenato & White, LLC

(57) **CLAIM**

The ornamental design for a bird scooter, as shown and described.

DESCRIPTION

FIG. 1 is a top and left side perspective view of the bird scooter showing my design.

FIG. 2 is a left side view of the bird scooter of FIG. 1.

FIG. 3 is a right side view of the bird scooter of FIG. 1.

FIG. 4 is a front view of the bird scooter of FIG. 1.

FIG. 5 is a rear view of the bird scooter of FIG. 1.

FIG. 6 is a top plan view of the bird scooter of FIG. 1; and,

FIG. 7 is a bottom plan view of the bird scooter of FIG. 1.

1 Claim, 3 Drawing Sheets

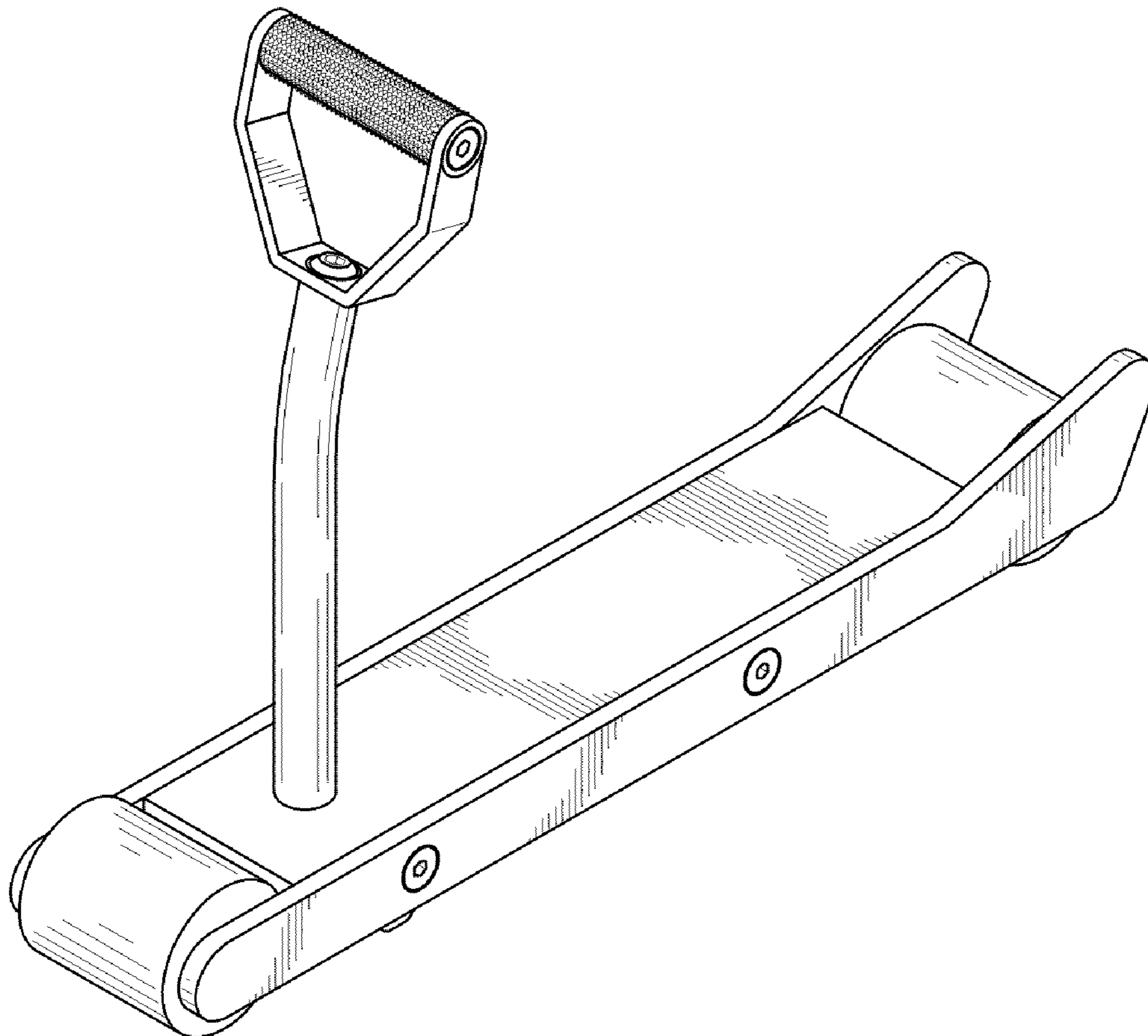


Fig. 1

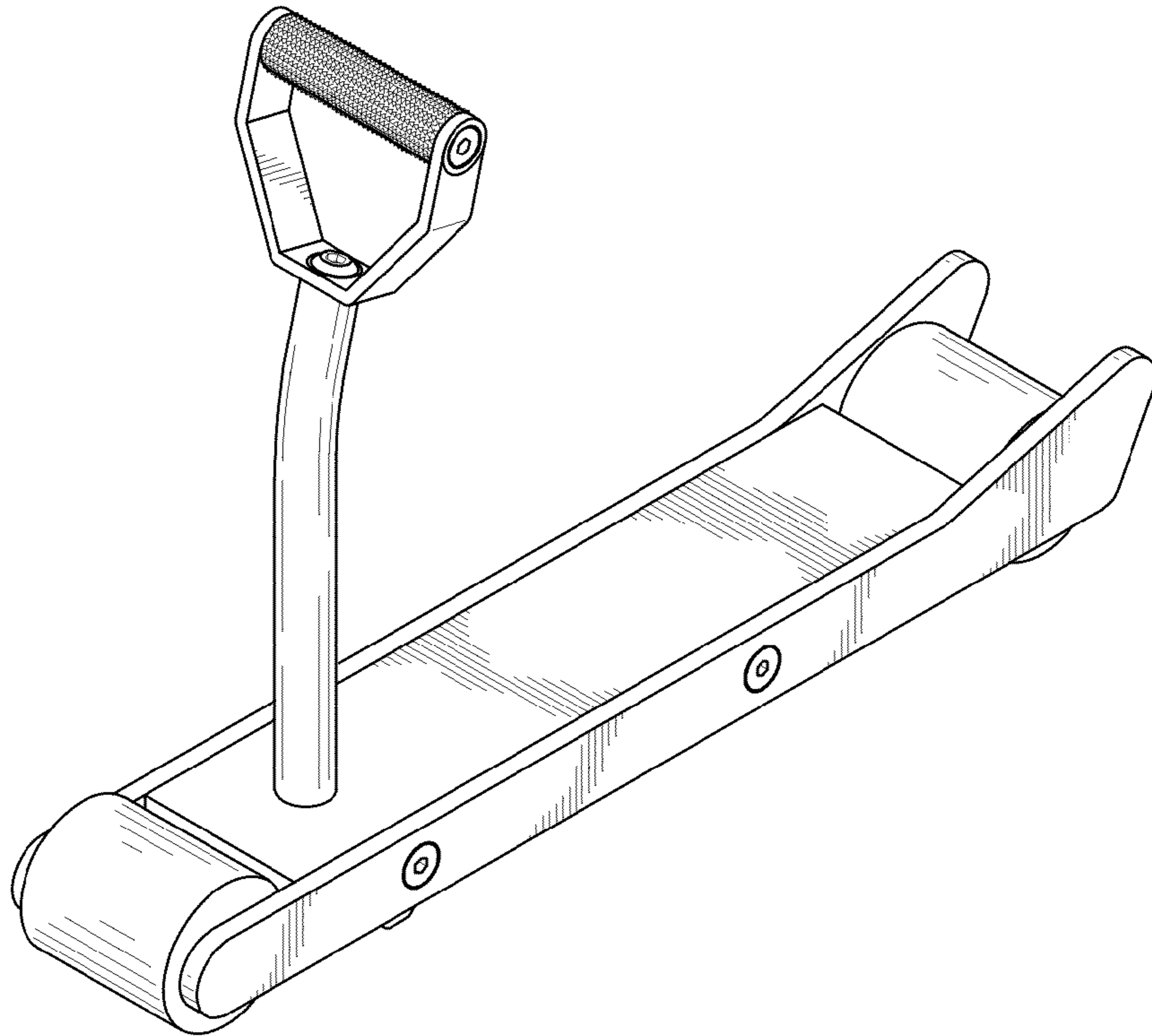


Fig. 2

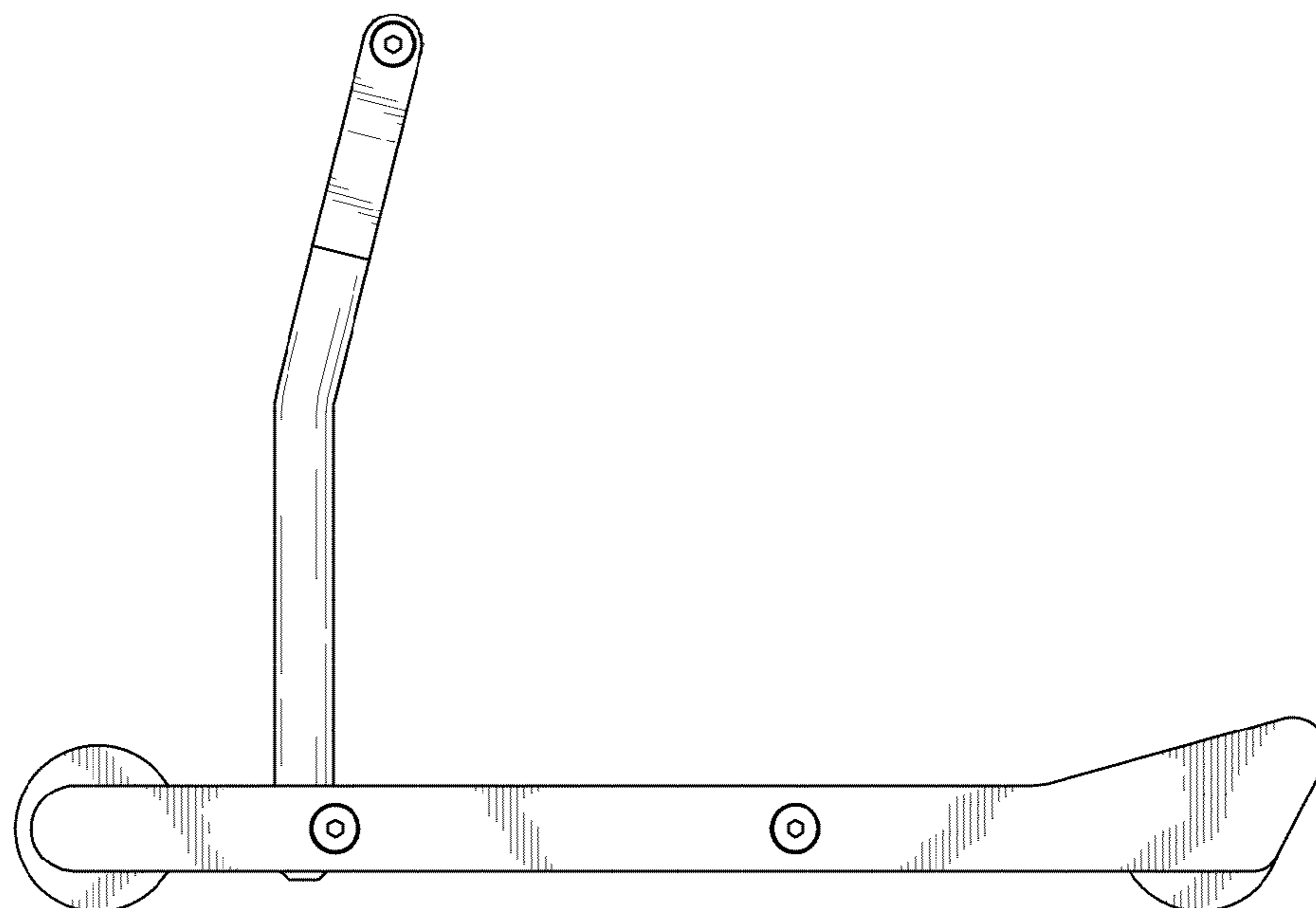


Fig. 3

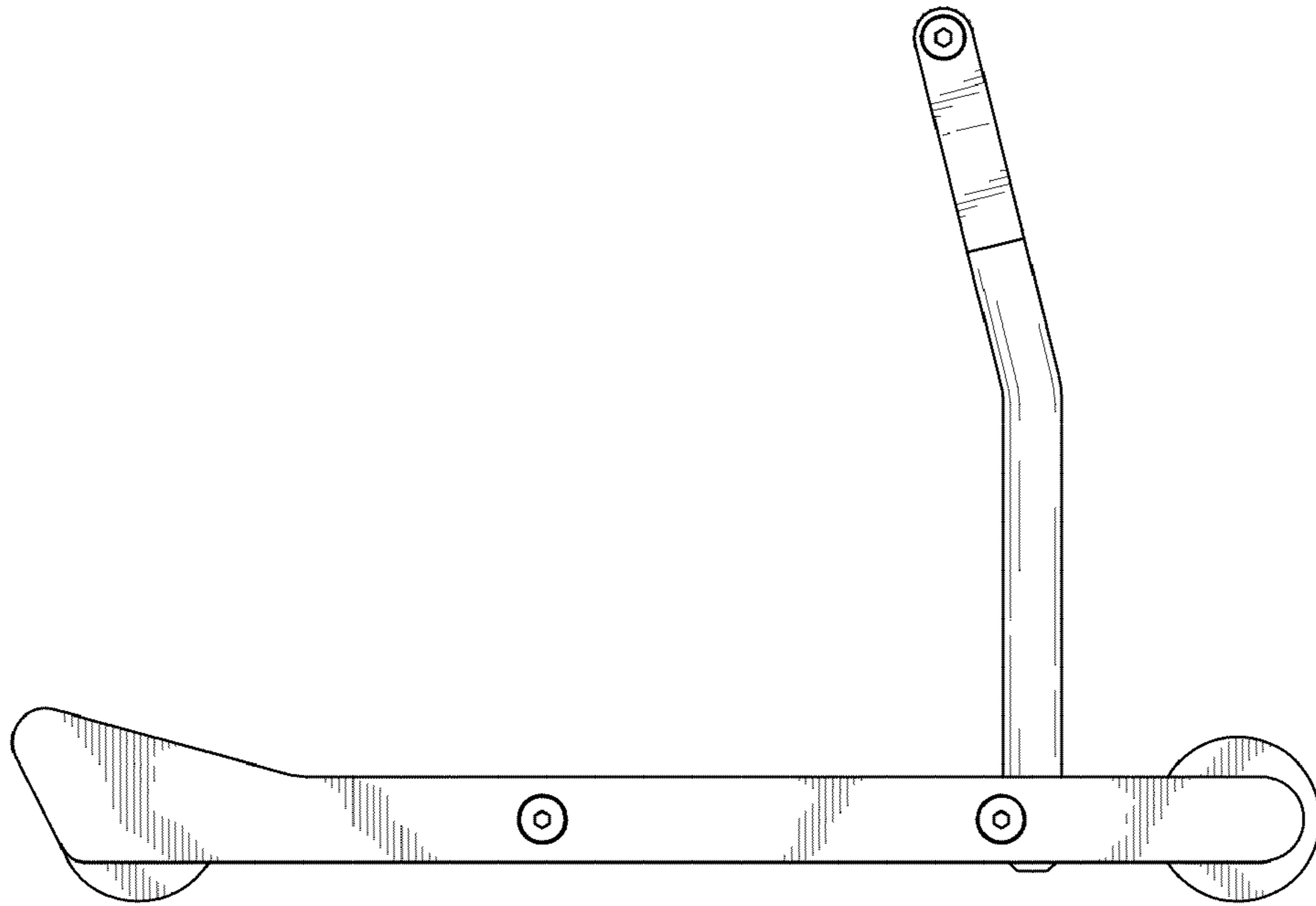


Fig. 4

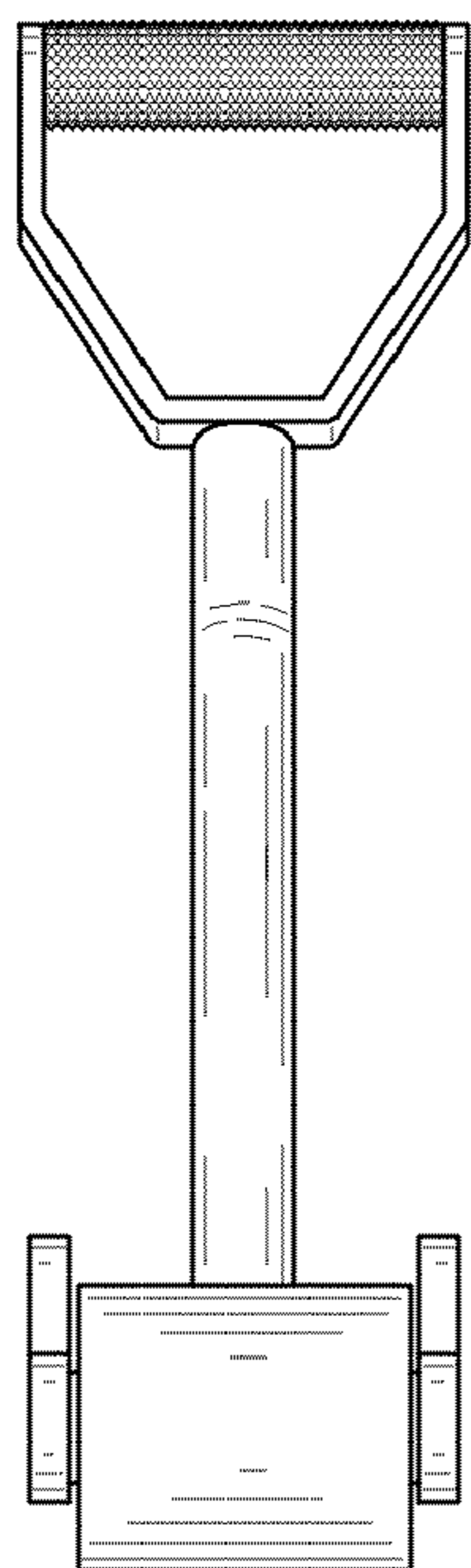


Fig. 5

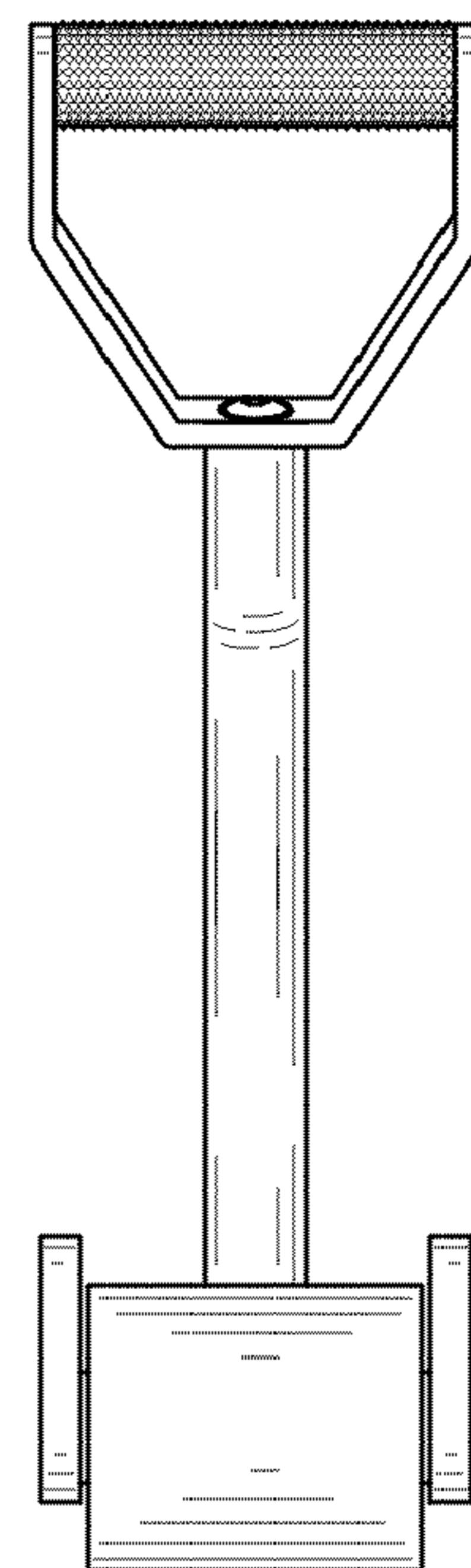


Fig. 6

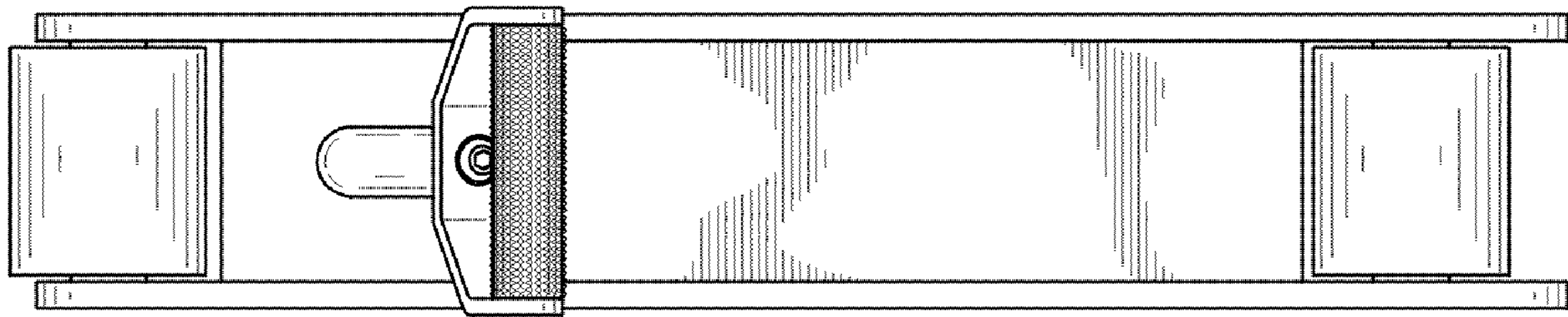


Fig. 7

